



US00D921796S

(12) **United States Design Patent**
Parsons et al.

(10) **Patent No.:** **US D921,796 S**
(45) **Date of Patent:** **** Jun. 8, 2021**

(54) **GOLF CLUB HEAD**

- (71) Applicant: **PARSONS XTREME GOLF, LLC**,
Scottsdale, AZ (US)
- (72) Inventors: **Robert R. Parsons**, Scottsdale, AZ
(US); **Michael R. Nicolette**, Scottsdale,
AZ (US); **Bradley D. Schweigert**, Cave
Creek, AZ (US)
- (73) Assignee: **PARSONS XTREME GOLF, LLC**,
Scottsdale, AZ (US)
- (**) Term: **15 Years**
- (21) Appl. No.: **29/763,720**
- (22) Filed: **Dec. 23, 2020**

Related U.S. Application Data

- (63) Continuation-in-part of application No. 29/745,151,
filed on Aug. 4, 2020.
- (51) **LOC (13) Cl.** **21-02**
- (52) **U.S. Cl.**
USPC **D21/759**
- (58) **Field of Classification Search**
USPC D21/747-751, 759
CPC A63B 53/00; A63B 53/02; A63B 53/04;
A63B 53/047; A63B 53/0475; A63B
2053/0479; A63B 60/00; A63B 60/46;
A63B 2053/0483; A63B 2053/0445
See application file for complete search history.

(56) **References Cited**

U.S. PATENT DOCUMENTS

1,133,129 A	3/1915	Govan
D164,469 S	9/1951	Behrendt
D175,107 S	7/1955	Unknown

(Continued)

OTHER PUBLICATIONS

International Search Report and Written Opinion issued in connection with corresponding application No. PCT/US2015/016666, dated May 14, 2015 (8 pages).

(Continued)

Primary Examiner — Mitchell I. Siegel

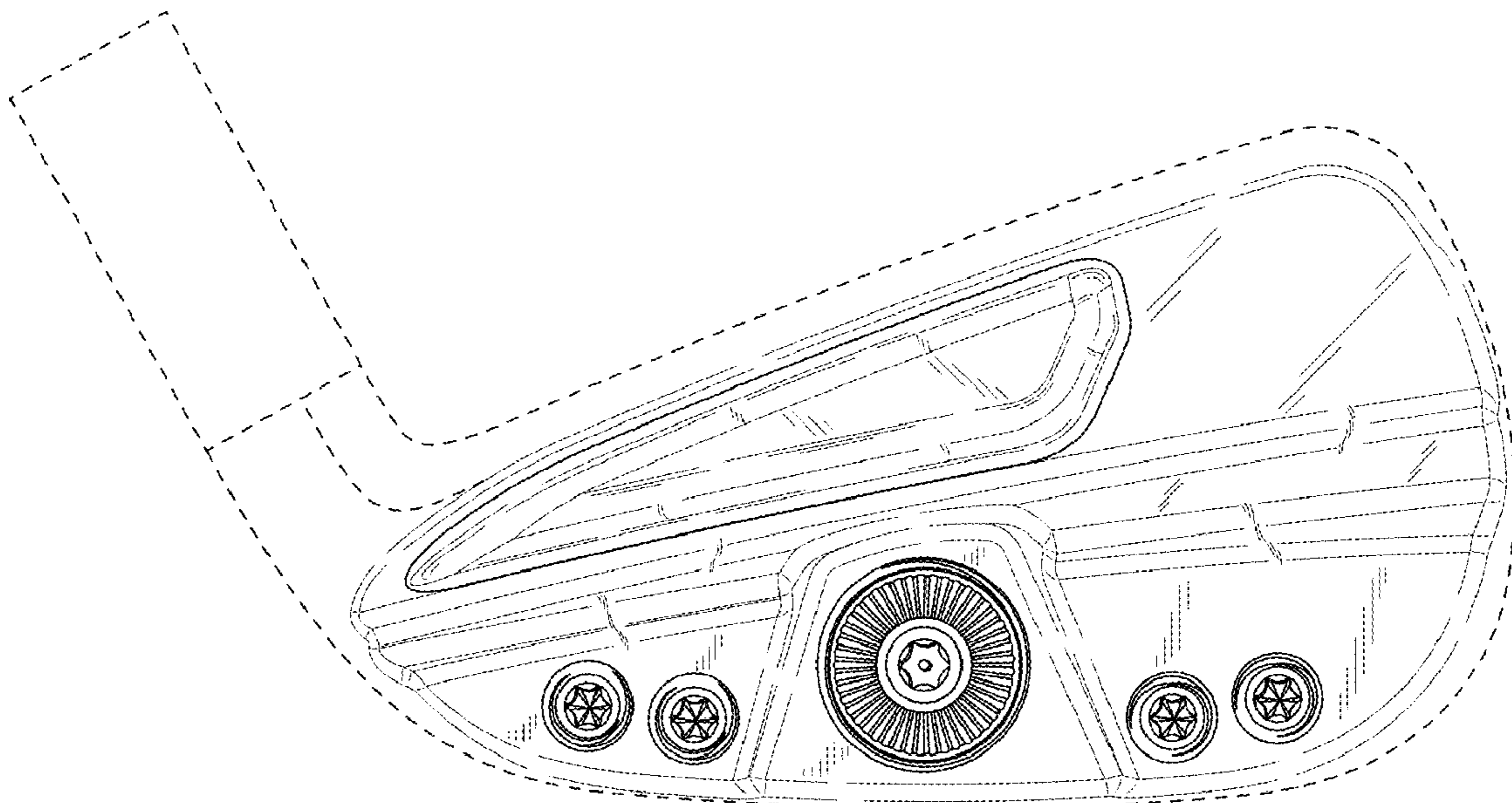
(57) **CLAIM**

The ornamental design for a golf club head, as shown and described.

DESCRIPTION

FIG. 1 is a top perspective view of a golf club head;
 FIG. 2 is a bottom perspective view of the golf club head of FIG. 1;
 FIG. 3 is a front elevational view of the golf club head of FIG. 1;
 FIG. 4 is a rear elevational view of the golf club head of FIG. 1;
 FIG. 5 is a top view of the golf club head of FIG. 1;
 FIG. 6 is a bottom view of the golf club head of FIG. 1;
 FIG. 7 is a left side view of the golf club head of FIG. 1;
 FIG. 8 is a right side view of the golf club head of FIG. 1;
 FIG. 9 is a top perspective view of a golf club head;
 FIG. 10 is a bottom perspective view of the golf club head of FIG. 9;
 FIG. 11 is a front elevational view of the golf club head of FIG. 9;
 FIG. 12 is a rear elevational view of the golf club head of FIG. 9;
 FIG. 13 is a top view of the golf club head of FIG. 9;
 FIG. 14 is a bottom view of the golf club head of FIG. 9;
 FIG. 15 is a left side view of the golf club head of FIG. 9;
 and,
 FIG. 16 is a right side view of the golf club head of FIG. 9.
 The broken lines shown on the drawings form no part of the claimed design.

1 Claim, 8 Drawing Sheets



(56)

References Cited

U.S. PATENT DOCUMENTS

- | | | | |
|---------------|---------|--------------------|------------------------|
| 3,020,048 A | 2/1962 | Carroll | |
| D203,936 S | 3/1966 | Long | |
| D215,101 S | 9/1969 | Sabat | |
| D234,963 S | 4/1975 | Hirata | |
| D239,550 S | 4/1976 | Timbrook | |
| D240,054 S | 5/1976 | Meissler | |
| D244,792 S | 6/1977 | Gelinas | |
| D250,136 S | 10/1978 | Gelinas | |
| D261,167 S | 10/1981 | Swanson | |
| D294,617 S | 3/1988 | Perkins | |
| 4,754,977 A * | 7/1988 | Sahm | A63B 53/047
473/337 |
| 4,824,116 A | 4/1989 | Nagamoto et al. | |
| 4,988,104 A | 1/1991 | Shiotani et al. | |
| 5,158,296 A | 10/1992 | Lee | |
| 5,176,384 A | 1/1993 | Sata et al. | |
| 5,213,328 A | 5/1993 | Long et al. | |
| D336,672 S | 6/1993 | Gorman | |
| D353,862 S | 12/1994 | Saito | |
| D357,520 S | 4/1995 | Helmstetter et al. | |
| 5,419,560 A | 5/1995 | Bamber | |
| 5,425,535 A | 6/1995 | Gee | |
| D361,358 S | 8/1995 | Simmons | |
| 5,447,311 A | 9/1995 | Viollaz et al. | |
| 5,451,056 A | 9/1995 | Manning | |
| D362,884 S | 10/1995 | Blough et al. | |
| D362,885 S | 10/1995 | Blough et al. | |
| D362,887 S | 10/1995 | Blough et al. | |
| D370,514 S | 6/1996 | Blough et al. | |
| 5,540,437 A | 7/1996 | Bamber | |
| D379,106 S | 5/1997 | Maltby | |
| 5,637,045 A | 6/1997 | Igarashi | |
| 5,669,830 A | 9/1997 | Bamber | |
| D389,540 S | 1/1998 | Mendenhall | |
| D389,541 S | 1/1998 | Huan-Chiang | |
| D395,476 S | 6/1998 | Pond et al. | |
| 5,766,091 A | 6/1998 | Humphrey et al. | |
| 5,766,092 A | 6/1998 | Mimeur et al. | |
| D399,277 S | 10/1998 | Ezaki | |
| 5,827,132 A | 10/1998 | Bamber | |
| D408,485 S | 4/1999 | Takahashi et al. | |
| 5,899,821 A | 5/1999 | Hsu et al. | |
| 5,935,016 A | 8/1999 | Antonious | |
| D414,535 S | 9/1999 | Mertens | |
| D421,080 S * | 2/2000 | Chen | D21/747 |
| D426,276 S | 6/2000 | Besnard et al. | |
| D426,476 S | 6/2000 | Goss | |
| 6,077,171 A * | 6/2000 | Yoneyama | A63B 60/00
473/291 |
| D442,659 S | 5/2001 | Kubica et al. | |
| D443,008 S | 5/2001 | Kubica et al. | |
| D445,862 S | 7/2001 | Ford | |
| 6,290,609 B1 | 9/2001 | Takeda | |
| D449,866 S | 10/2001 | Miller | |
| D457,211 S | 5/2002 | Bakke | |
| D458,328 S | 6/2002 | Solheim et al. | |
| D469,833 S | 2/2003 | Roberts et al. | |
| D473,605 S | 4/2003 | Petersen et al. | |
| D476,048 S | 6/2003 | Cleveland et al. | |
| D478,949 S | 8/2003 | DeLaCruz | |
| 6,638,182 B2 | 10/2003 | Kosmatka | |
| 6,695,714 B1 | 2/2004 | Bliss et al. | |
| 6,702,693 B2 | 3/2004 | Bamber | |
| D488,201 S | 4/2004 | Wahl et al. | |
| D492,376 S | 6/2004 | Nicolette et al. | |
| D494,240 S | 8/2004 | Schweigert | |
| D494,648 S | 8/2004 | Schweigert et al. | |
| 6,780,123 B2 | 8/2004 | Hasebe | |
| D497,963 S | 11/2004 | Toulon et al. | |
| 6,811,496 B2 | 11/2004 | Wahl et al. | |
| D499,779 S | 12/2004 | Mahaffey et al. | |
| D500,350 S | 12/2004 | Schweigert et al. | |
| D500,351 S | 12/2004 | Schweigert et al. | |
| D502,237 S | 2/2005 | Schweigert et al. | |
| D502,975 S | 3/2005 | Schweigert et al. | |
| D503,204 S | 3/2005 | Nicolette et al. | |
| D504,925 S | 5/2005 | Schweigert et al. | |
| D505,171 S | 5/2005 | Schweigert et al. | |
| D507,320 S | 7/2005 | Roberts et al. | |
| D507,614 S | 7/2005 | Schweigert et al. | |
| D508,099 S | 8/2005 | Schweigert et al. | |
| D508,545 S | 8/2005 | Roberts et al. | |
| 6,923,733 B2 | 8/2005 | Chen | |
| D514,183 S | 1/2006 | Schweigert et al. | |
| D516,650 S | 3/2006 | Wolfe et al. | |
| D518,863 S | 4/2006 | Motoyoshi et al. | |
| D523,501 S | 6/2006 | Nicolette et al. | |
| D523,917 S | 6/2006 | Wolfe et al. | |
| D524,889 S | 7/2006 | Yu et al. | |
| D530,759 S | 10/2006 | Nicolette et al. | |
| D530,760 S | 10/2006 | Schweigert et al. | |
| 7,121,956 B2 | 10/2006 | Lo | |
| 7,128,663 B2 | 10/2006 | Bamber | |
| D531,688 S | 11/2006 | Frame et al. | |
| D532,849 S | 11/2006 | Nicolette et al. | |
| D534,228 S | 12/2006 | Nicolette et al. | |
| D534,595 S * | 1/2007 | Hasebe | D21/747 |
| D534,597 S | 1/2007 | Nicolette et al. | |
| 7,156,751 B2 | 1/2007 | Wahl et al. | |
| D536,759 S | 2/2007 | Schweigert et al. | |
| D537,494 S | 2/2007 | Jertson et al. | |
| 7,182,698 B2 | 2/2007 | Tseng | |
| D538,366 S | 3/2007 | Nicolette et al. | |
| D539,864 S | 4/2007 | Nicolette et al. | |
| D540,898 S | 4/2007 | Solheim et al. | |
| D541,360 S | 4/2007 | Schweigert et al. | |
| 7,207,900 B2 | 4/2007 | Nicolette et al. | |
| D543,601 S * | 5/2007 | Kawami | D21/759 |
| D544,056 S | 6/2007 | Nicolette et al. | |
| D547,410 S | 7/2007 | Nicolette et al. | |
| D555,219 S * | 11/2007 | Lin | D21/759 |
| 7,303,486 B2 | 12/2007 | Imamoto | |
| D559,932 S | 1/2008 | Belmont | |
| D561,855 S | 2/2008 | Schweigert et al. | |
| D562,925 S | 2/2008 | Schweigert et al. | |
| 7,351,164 B2 | 4/2008 | Schweigert et al. | |
| D570,435 S | 6/2008 | Sanchez et al. | |
| D570,935 S | 6/2008 | Nicolette et al. | |
| D570,936 S | 6/2008 | Schweigert et al. | |
| D570,942 S | 6/2008 | Chen et al. | |
| D571,422 S | 6/2008 | Schweigert et al. | |
| D571,425 S | 6/2008 | Chen et al. | |
| D571,427 S | 6/2008 | Schweigert et al. | |
| D571,881 S | 6/2008 | Nicolette et al. | |
| D572,326 S | 7/2008 | Schweigert et al. | |
| D572,329 S | 7/2008 | Nicolette et al. | |
| D573,219 S | 7/2008 | Schweigert et al. | |
| 7,396,299 B2 | 7/2008 | Nicolette et al. | |
| 7,413,518 B2 | 8/2008 | Cole et al. | |
| D577,783 S | 9/2008 | Schweigert et al. | |
| D578,590 S | 10/2008 | Schweigert et al. | |
| D581,000 S | 11/2008 | Nicolette et al. | |
| D581,004 S | 11/2008 | Schweigert et al. | |
| D584,370 S | 1/2009 | Cleveland et al. | |
| D585,103 S | 1/2009 | Foster et al. | |
| D586,414 S | 2/2009 | Foster et al. | |
| D587,327 S | 2/2009 | Ines et al. | |
| D594,518 S | 6/2009 | Schweigert | |
| D596,256 S | 7/2009 | Schweigert et al. | |
| D596,257 S | 7/2009 | Jertson et al. | |
| D596,258 S | 7/2009 | Jertson et al. | |
| D596,688 S | 7/2009 | Schweigert et al. | |
| D597,158 S | 7/2009 | Schweigert et al. | |
| D601,216 S | 9/2009 | Jertson et al. | |
| 7,588,502 B2 | 9/2009 | Nishino | |
| 7,601,075 B2 | 10/2009 | Cole et al. | |
| D604,783 S | 11/2009 | Nicolette et al. | |
| 7,611,424 B2 | 11/2009 | Nagai et al. | |
| D606,605 S | 12/2009 | Wada et al. | |
| D607,070 S | 12/2009 | Wada et al. | |
| D607,071 S | 12/2009 | Wada et al. | |
| 7,658,686 B2 | 2/2010 | Soracco | |
| D612,438 S | 3/2010 | Carlyle et al. | |
| D612,439 S | 3/2010 | Carlyle et al. | |

(56)

References Cited

U.S. PATENT DOCUMENTS

2020/0353326 A1* 11/2020 Parsons A63B 53/0487
2020/0376353 A1* 12/2020 Parsons A63B 53/047
2021/0008420 A1* 1/2021 Parsons A63B 53/0466
2021/0016141 A1* 1/2021 Parsons A63B 60/02

OTHER PUBLICATIONS

Kozuchowski, Zak. "Callaway Mack Daddy 2 PM Grind Wedges" (<http://www.golfwrx.com/276203/callaway-mack-daddy-2-pm-grind-wedges/>), www.golfwrx.com, GolfWRX Holdings, LLC, published Jan. 21, 2015.

Wall, Jonathan, "Details: Phil's Prototype Mack Daddy PM-Grind Wedge," (<http://www.pgatour.com/equipmentreport/2015/01/21/callaway-wedge.html>), www.pgatour.com, PGA Tour, Inc., Published Jan. 21, 2015.

* cited by examiner

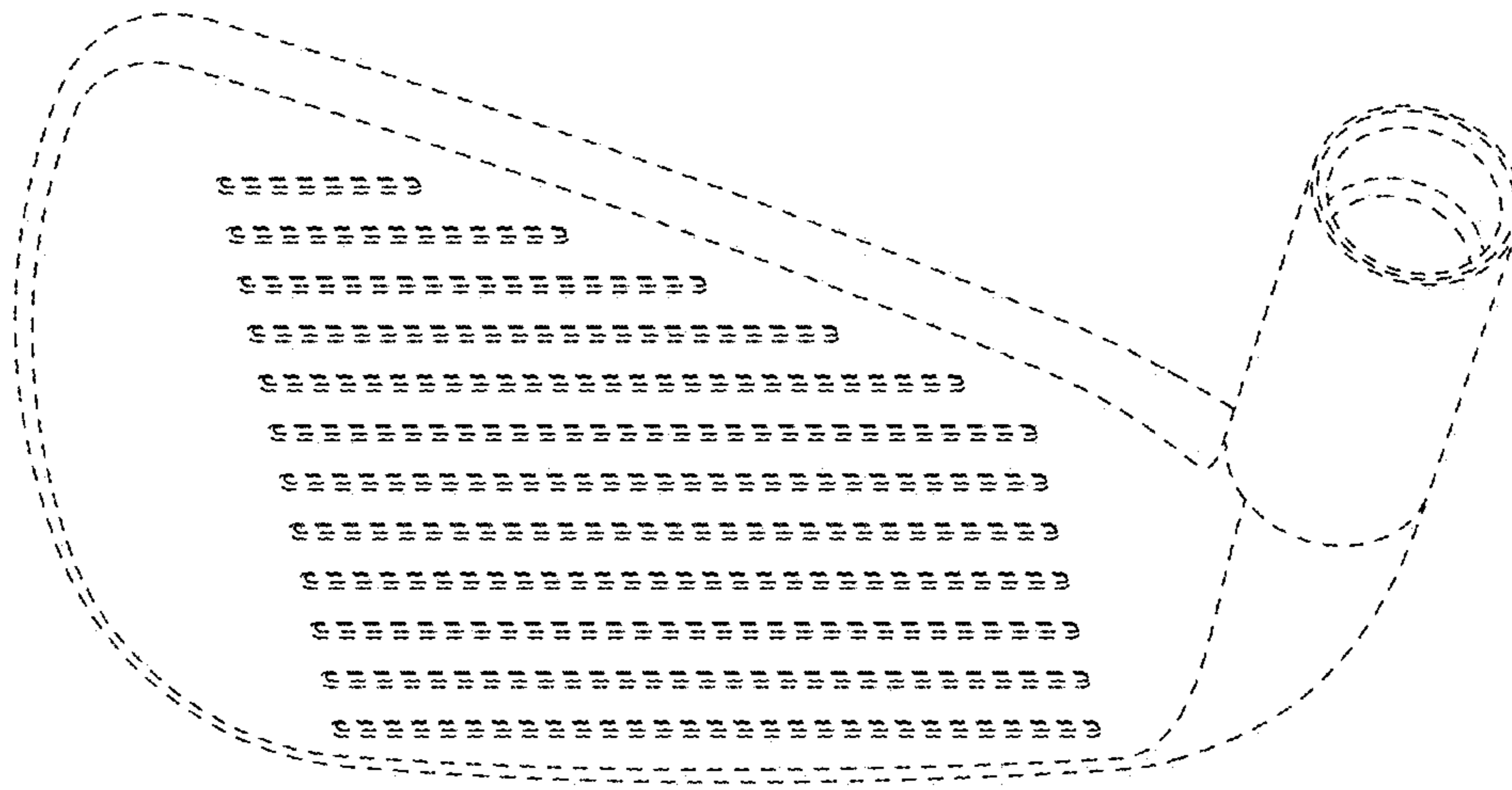


FIG. 1

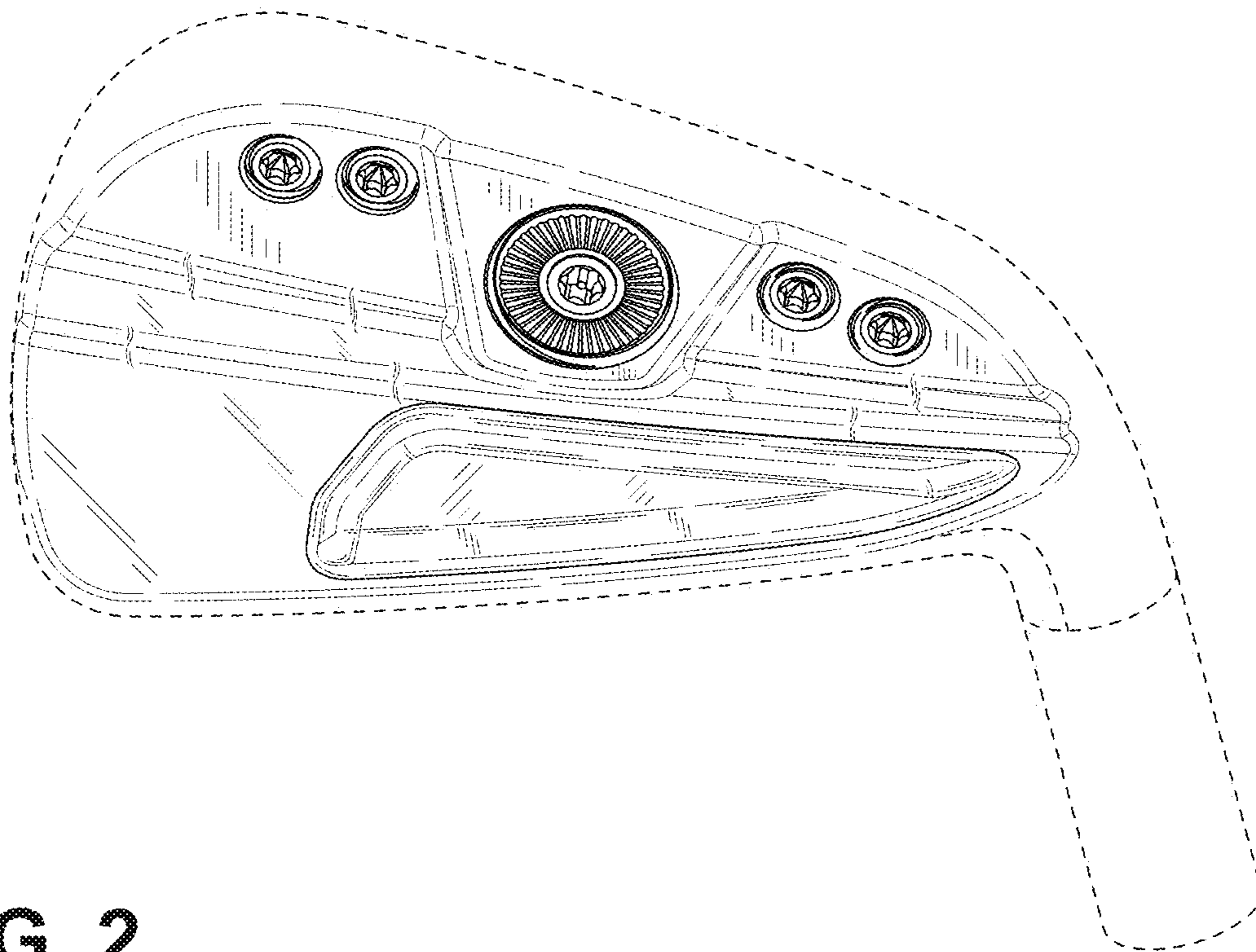


FIG. 2

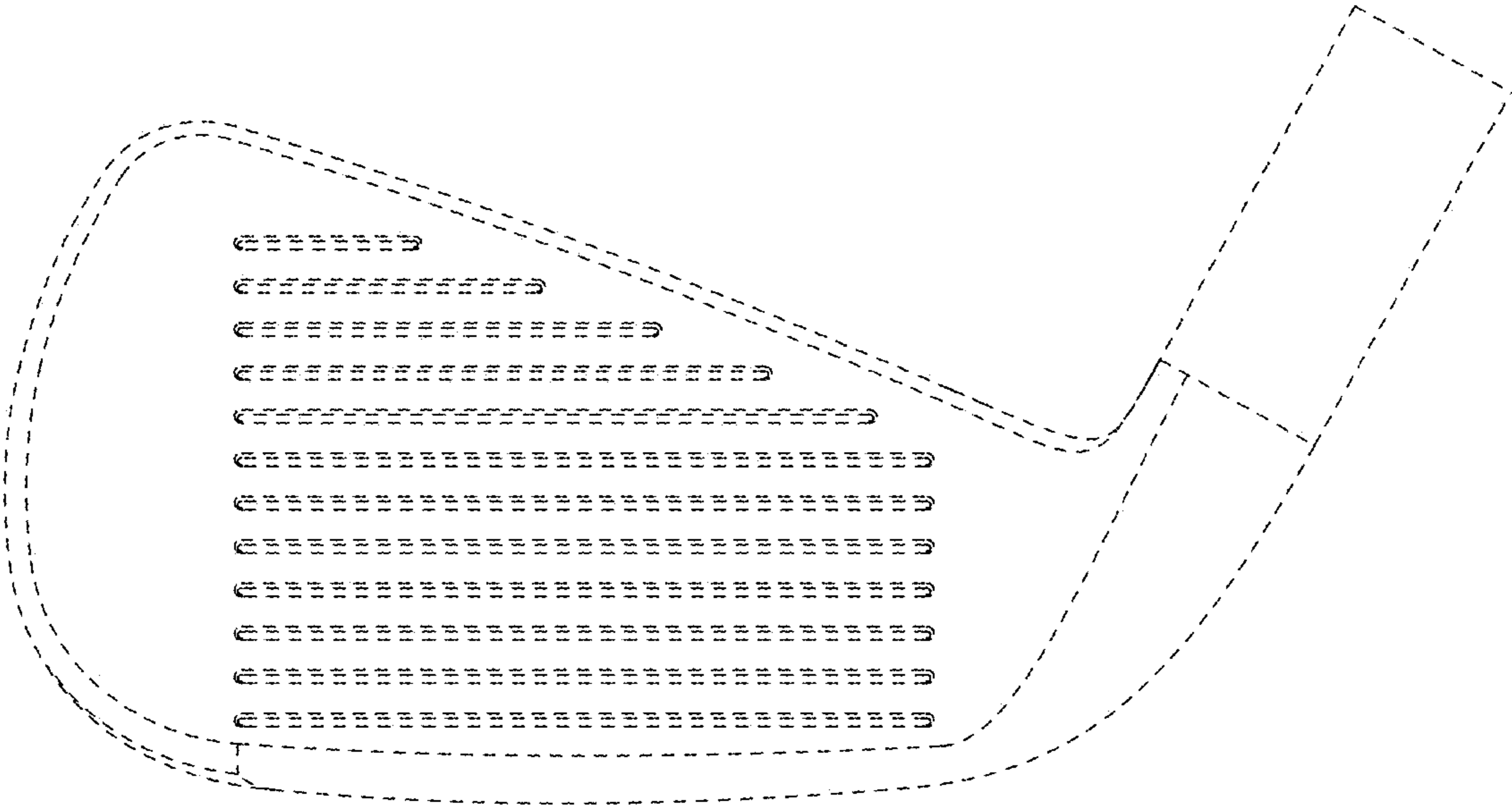


FIG. 3

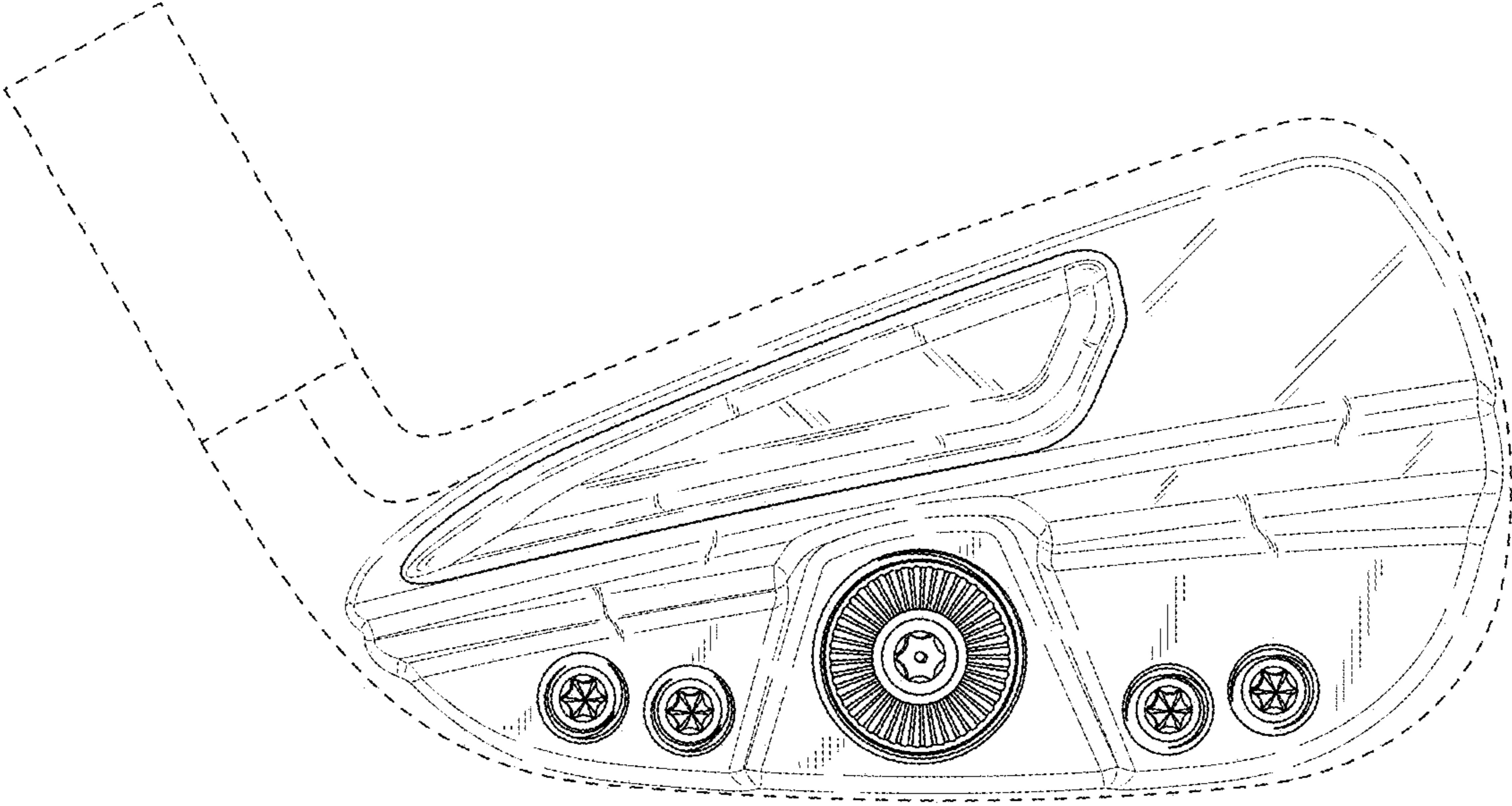


FIG. 4

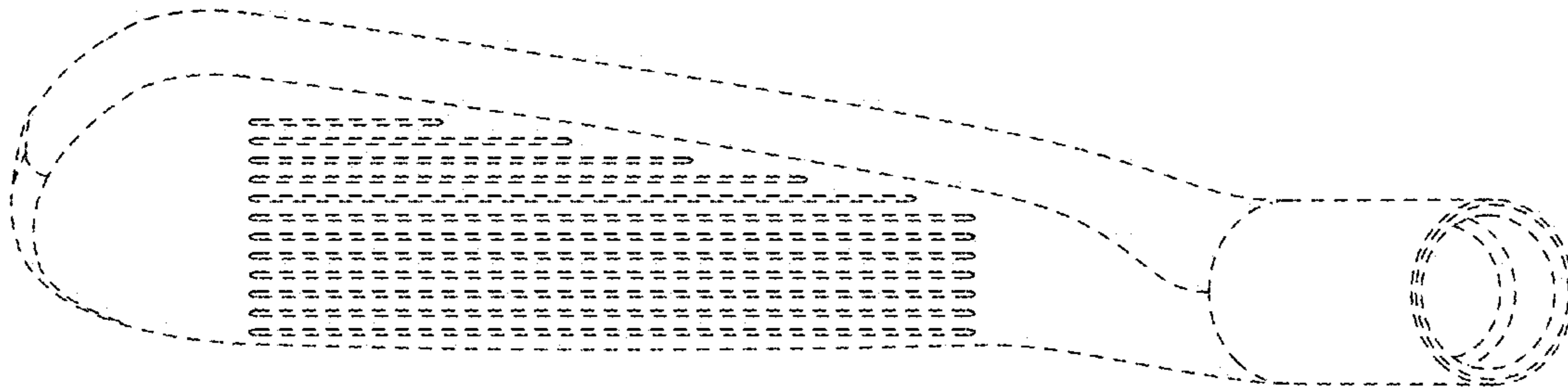


FIG. 5

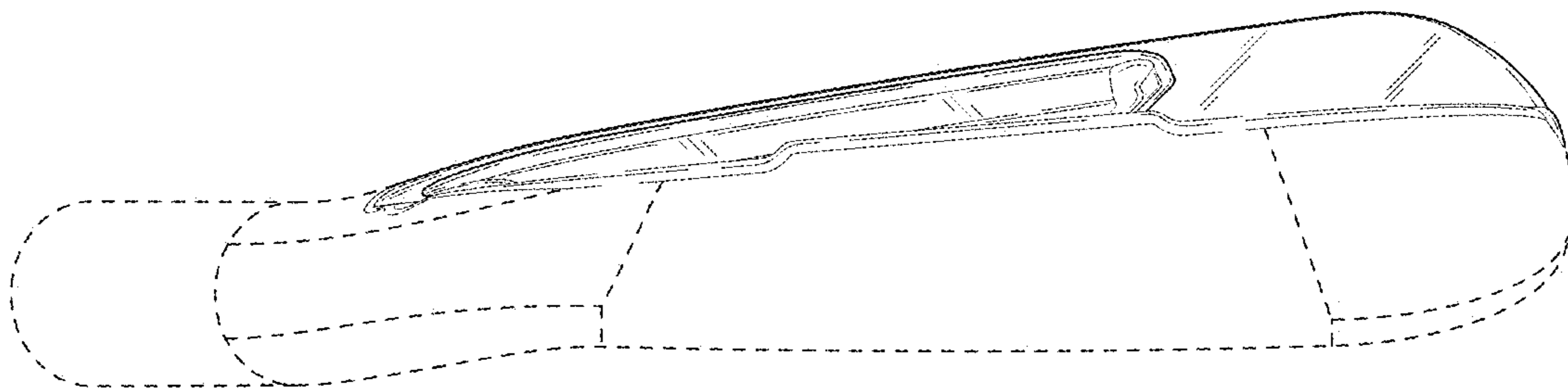


FIG. 6

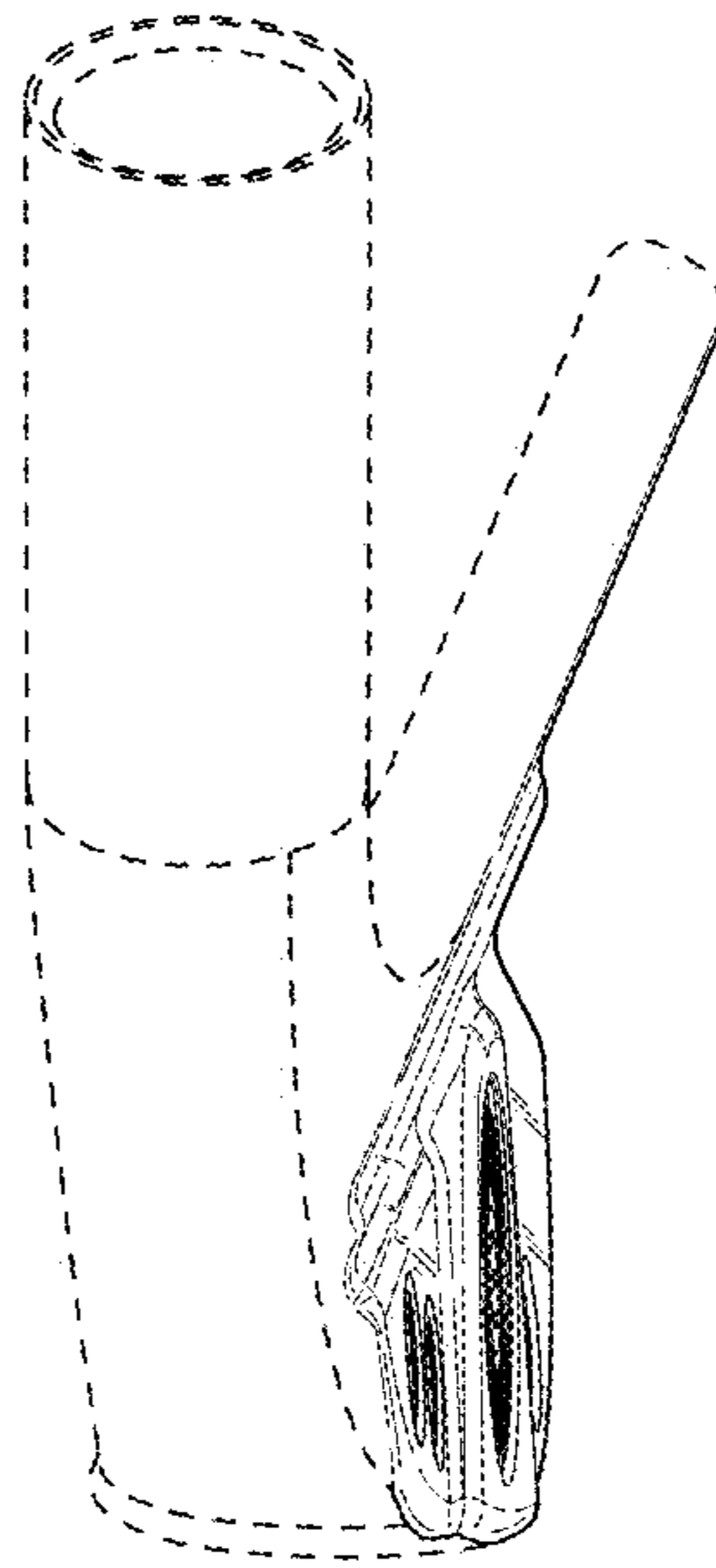


FIG. 7

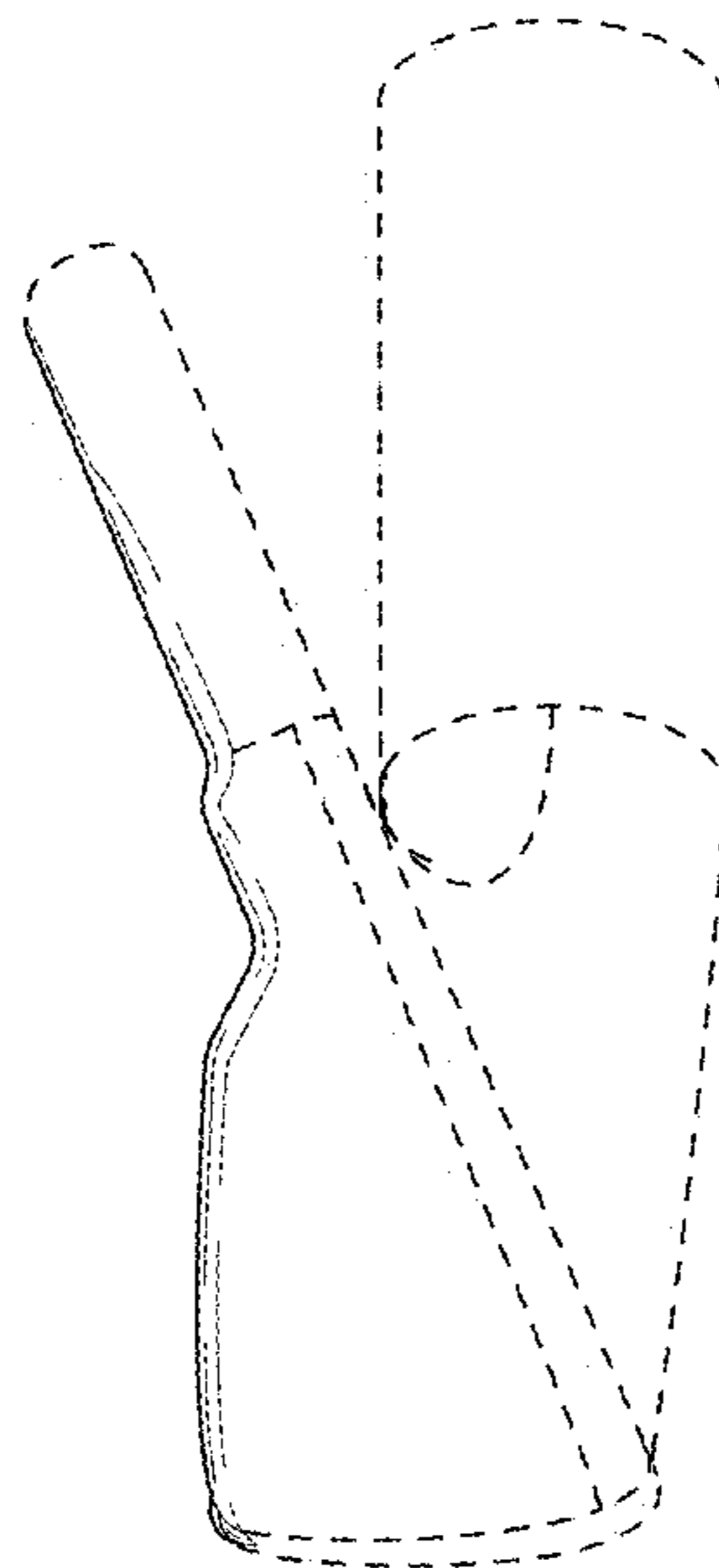


FIG. 8

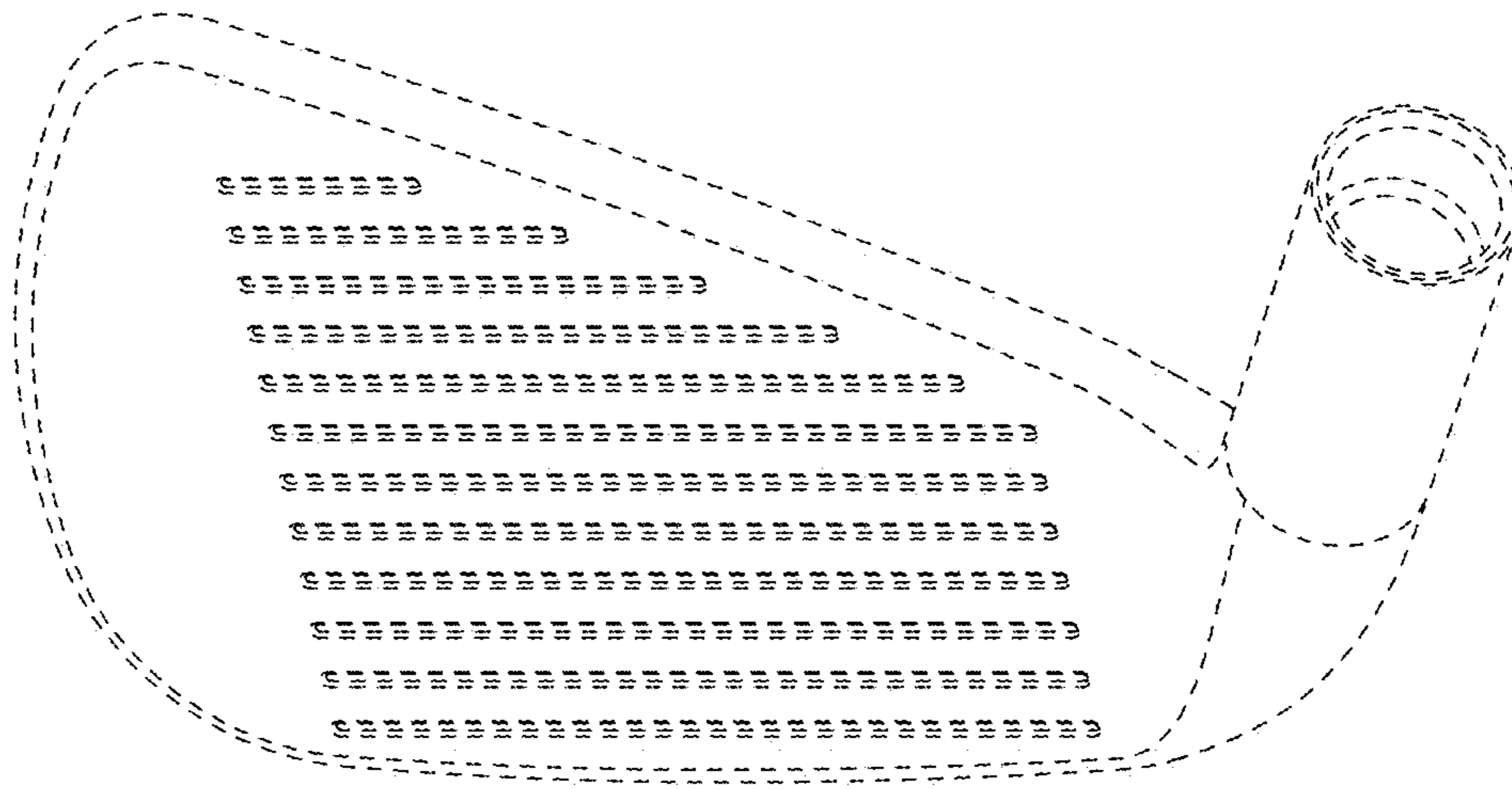


FIG. 9

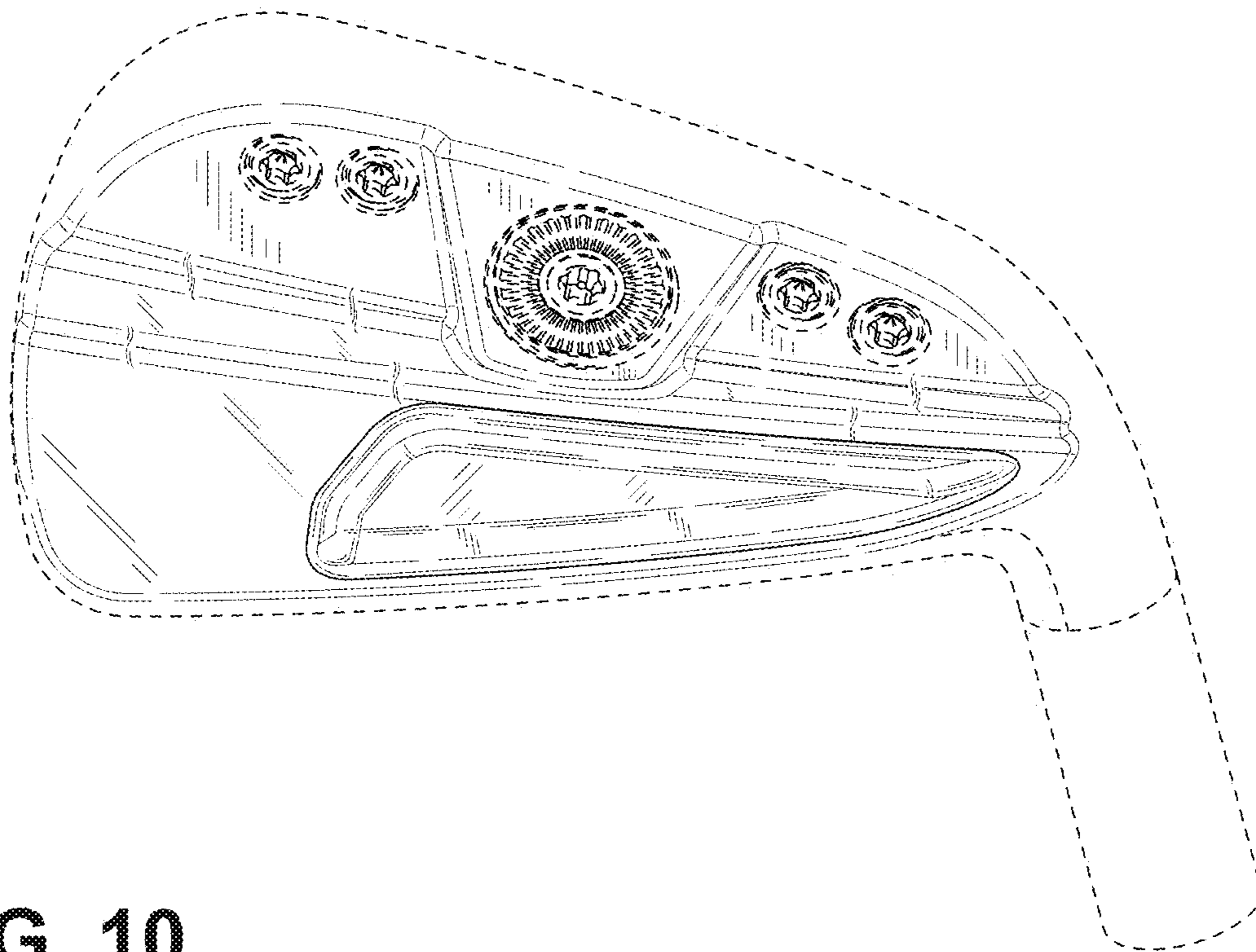


FIG. 10

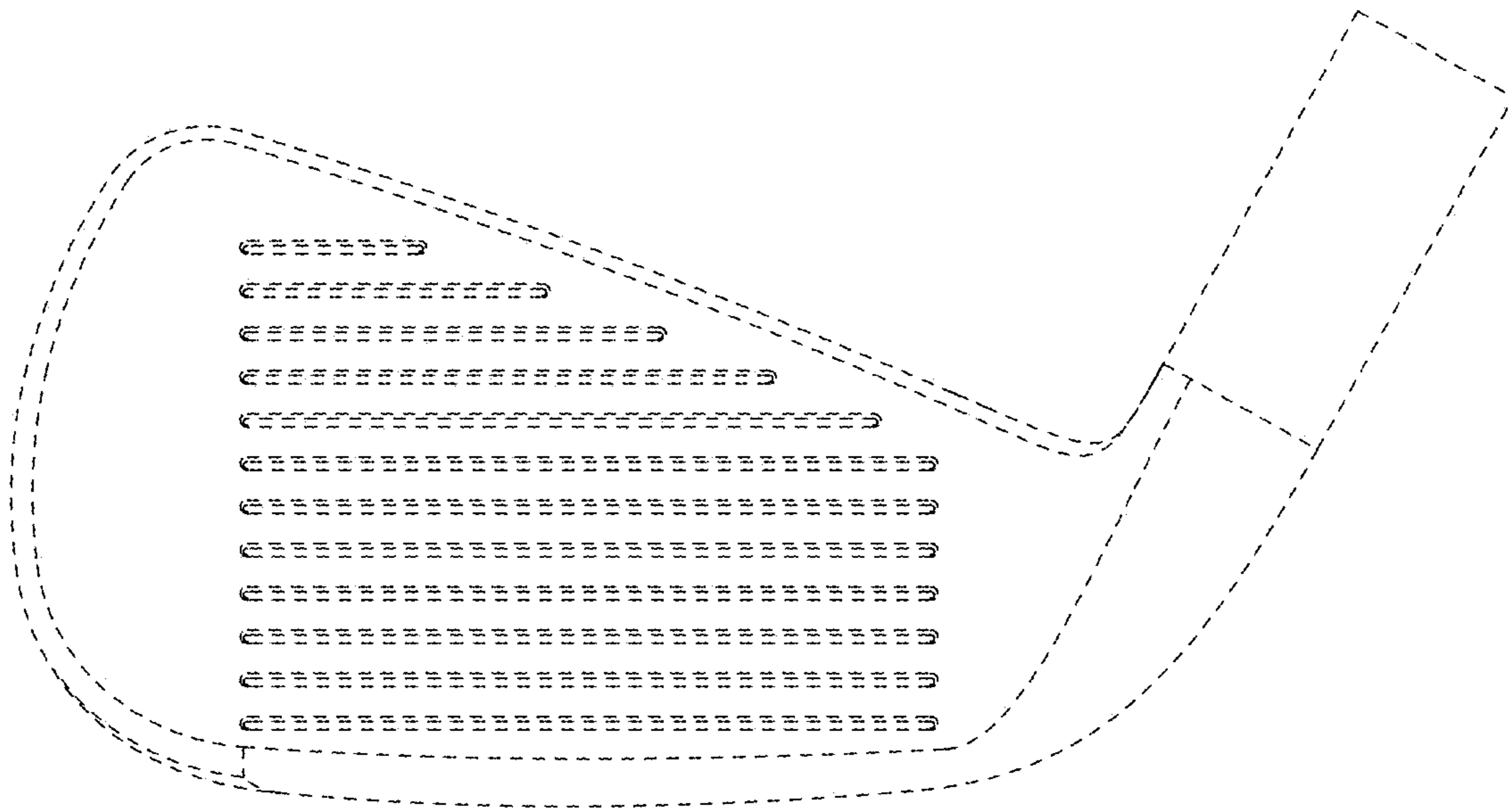


FIG. 11

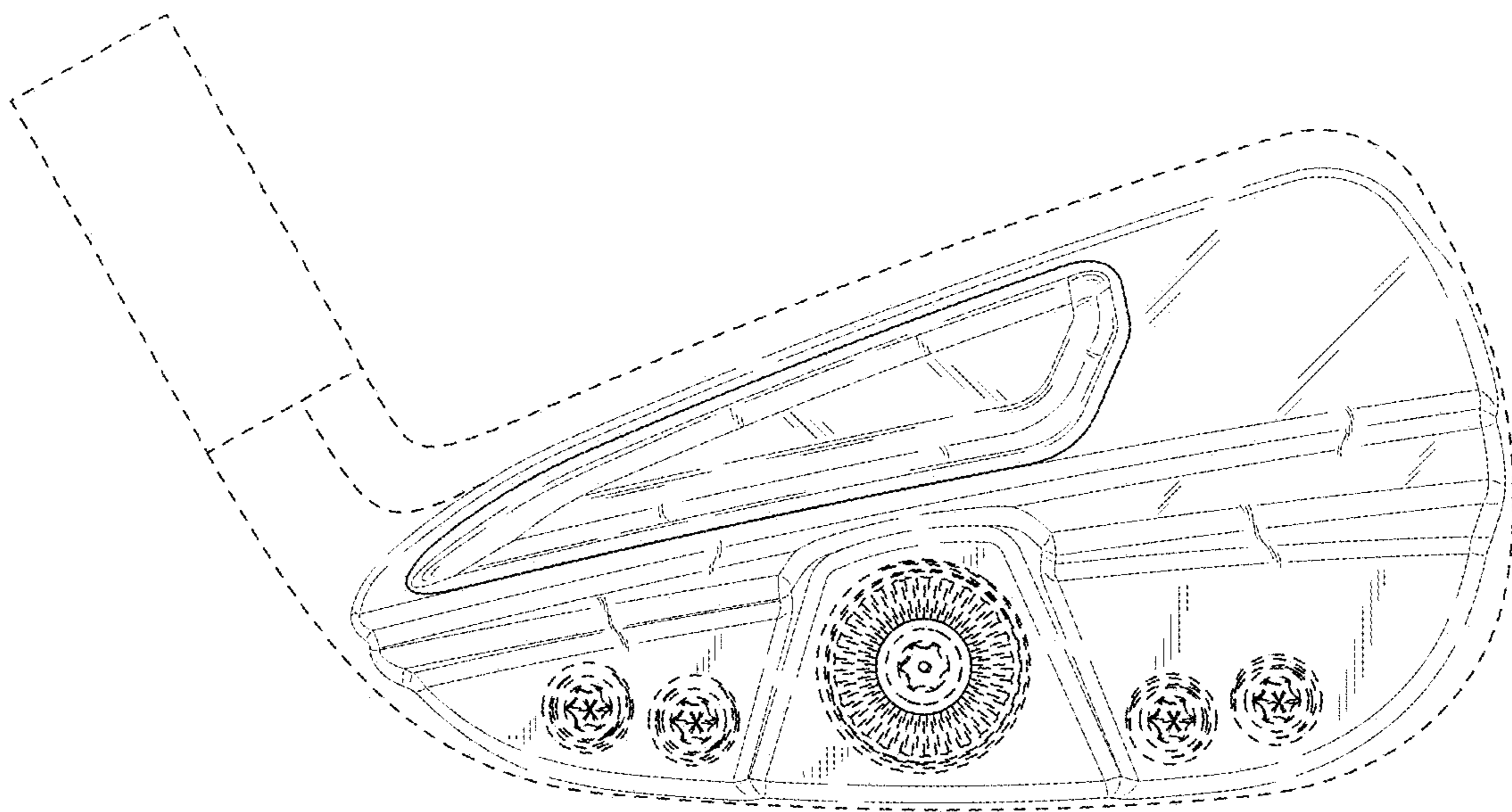


FIG. 12

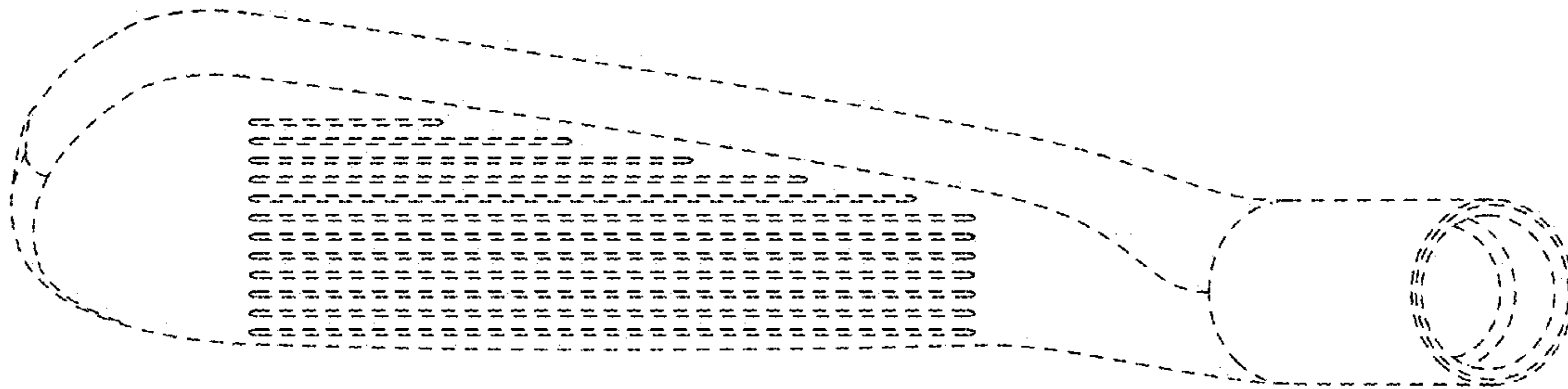


FIG. 13

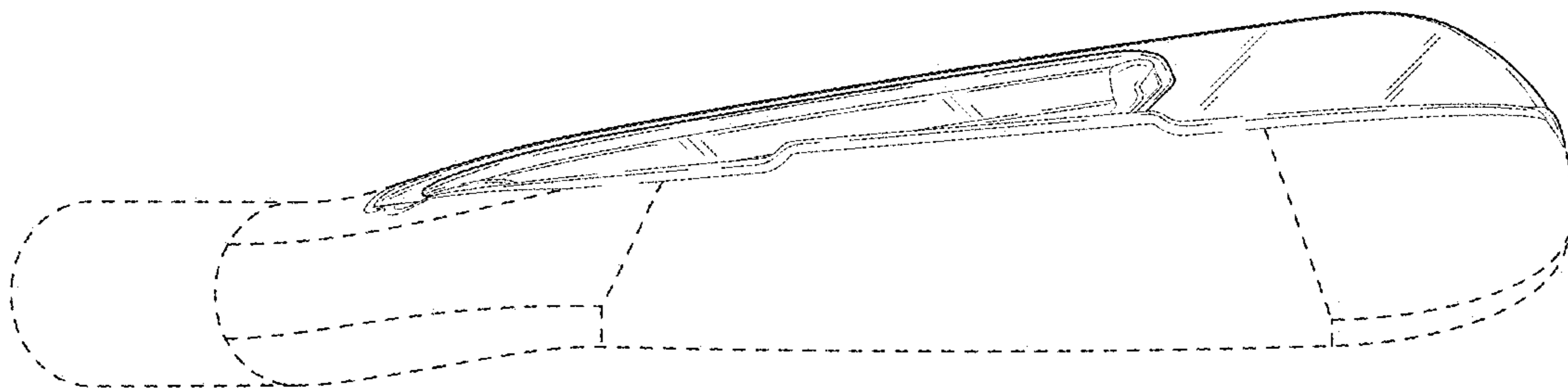


FIG. 14

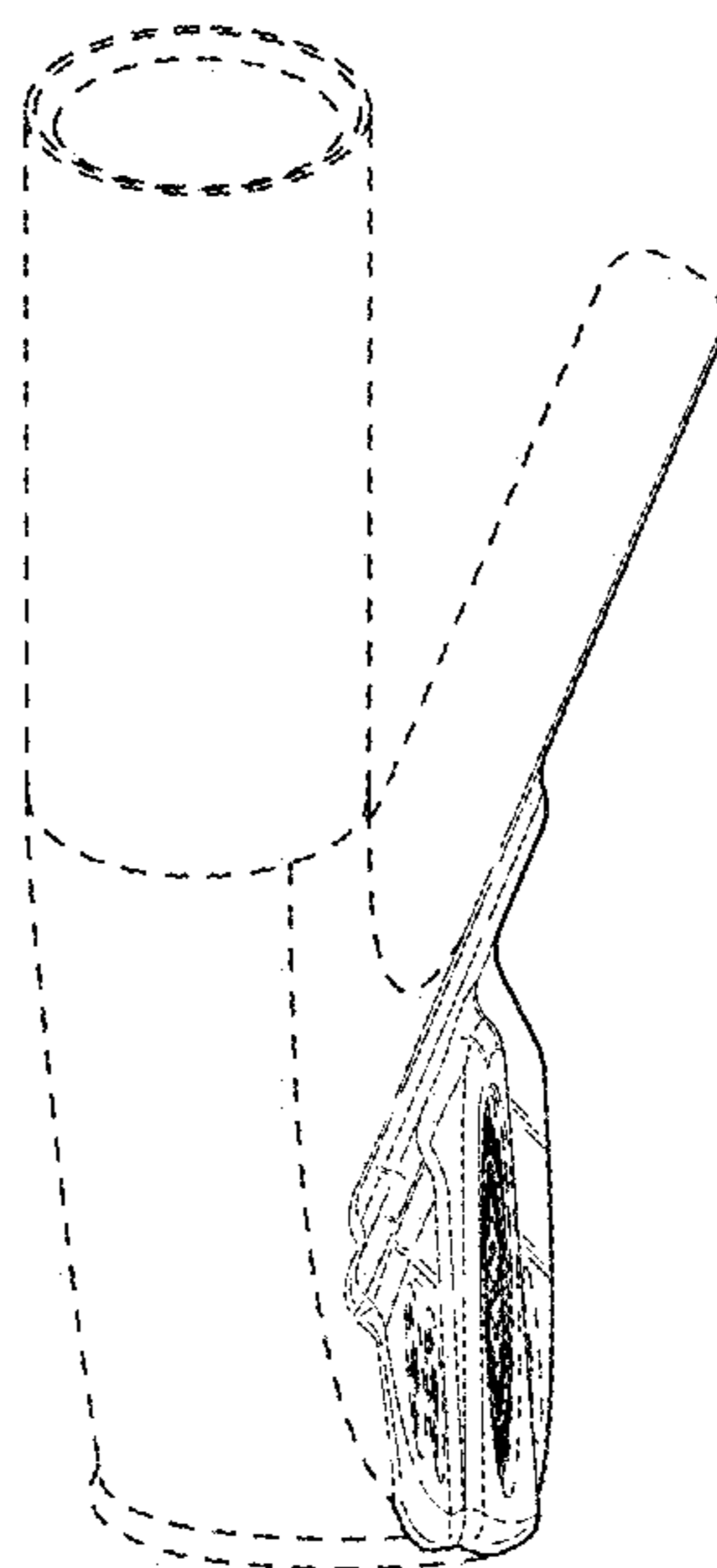


FIG. 15

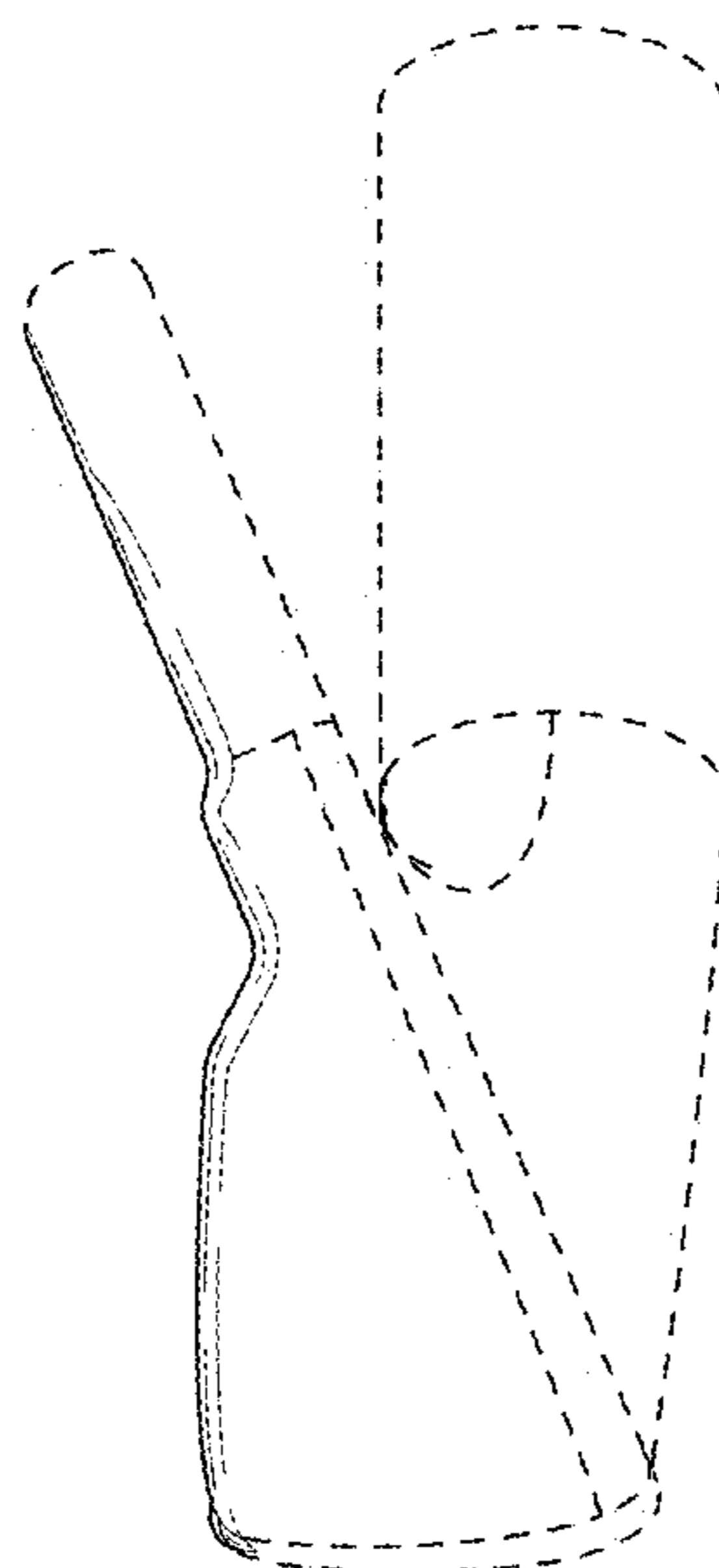


FIG. 16