

US00D921794S

(12) **United States Design Patent**
Tsuchihashi

(10) **Patent No.:** **US D921,794 S**

(45) **Date of Patent:** **** Jun. 8, 2021**

- (54) **HEAD FOR GOLF CLUB**
- (71) Applicant: **SUMITOMO RUBBER INDUSTRIES, LTD.**, Kobe (JP)
- (72) Inventor: **Satoko Tsuchihashi**, Kobe (JP)
- (73) Assignee: **SUMITOMO RUBBER INDUSTRIES, LTD.**, Kobe (JP)

D672,417 S *	12/2012	Jertson	D21/747
D704,784 S *	5/2014	Vrska	D21/759
D765,804 S *	9/2016	Oliveiro	D21/747
D839,371 S *	1/2019	Clarke	D21/747
D851,718 S *	6/2019	Stokke	D21/747
D863,479 S *	10/2019	Stokke	D21/747
D885,501 S *	5/2020	Tsuchihashi	D21/748
D895,039 S *	9/2020	Wang	D21/747

* cited by examiner

(**) Term: **15 Years**

Primary Examiner — Mitchell I. Siegel

(21) Appl. No.: **29/710,311**

(74) *Attorney, Agent, or Firm* — Birch, Stewart, Kolasch & Birch LLP

(22) Filed: **Oct. 22, 2019**

(57) **CLAIM**

(30) **Foreign Application Priority Data**

The ornamental design for a head for golf club, as shown and described.

Apr. 23, 2019 (JP) 2019-009004

DESCRIPTION

(51) **LOC (13) Cl.** **21-02**

(52) **U.S. Cl.**
USPC **D21/759**

(58) **Field of Classification Search**
USPC D21/747-751, 759
CPC A63B 53/00; A63B 53/02; A63B 53/04;
A63B 53/047; A63B 53/0475; A63B
2053/0479; A63B 2053/0483; A63B
2053/0445; A63B 60/00; A63B 60/46
See application file for complete search history.

FIG. 1 is a first perspective view of a head for golf club;
FIG. 2 is a second perspective view thereof;
FIG. 3 is a front view thereof;
FIG. 4 is a left side view thereof;
FIG. 5 is a right side view thereof;
FIG. 6 is a top view thereof;
FIG. 7 is a bottom view thereof;
FIG. 8 is a cross-sectional view taken along line 8-8 in FIG. 3 thereof; and,
FIG. 9 is a cross-sectional view taken along line 9-9 in FIG. 3 thereof.

(56) **References Cited**

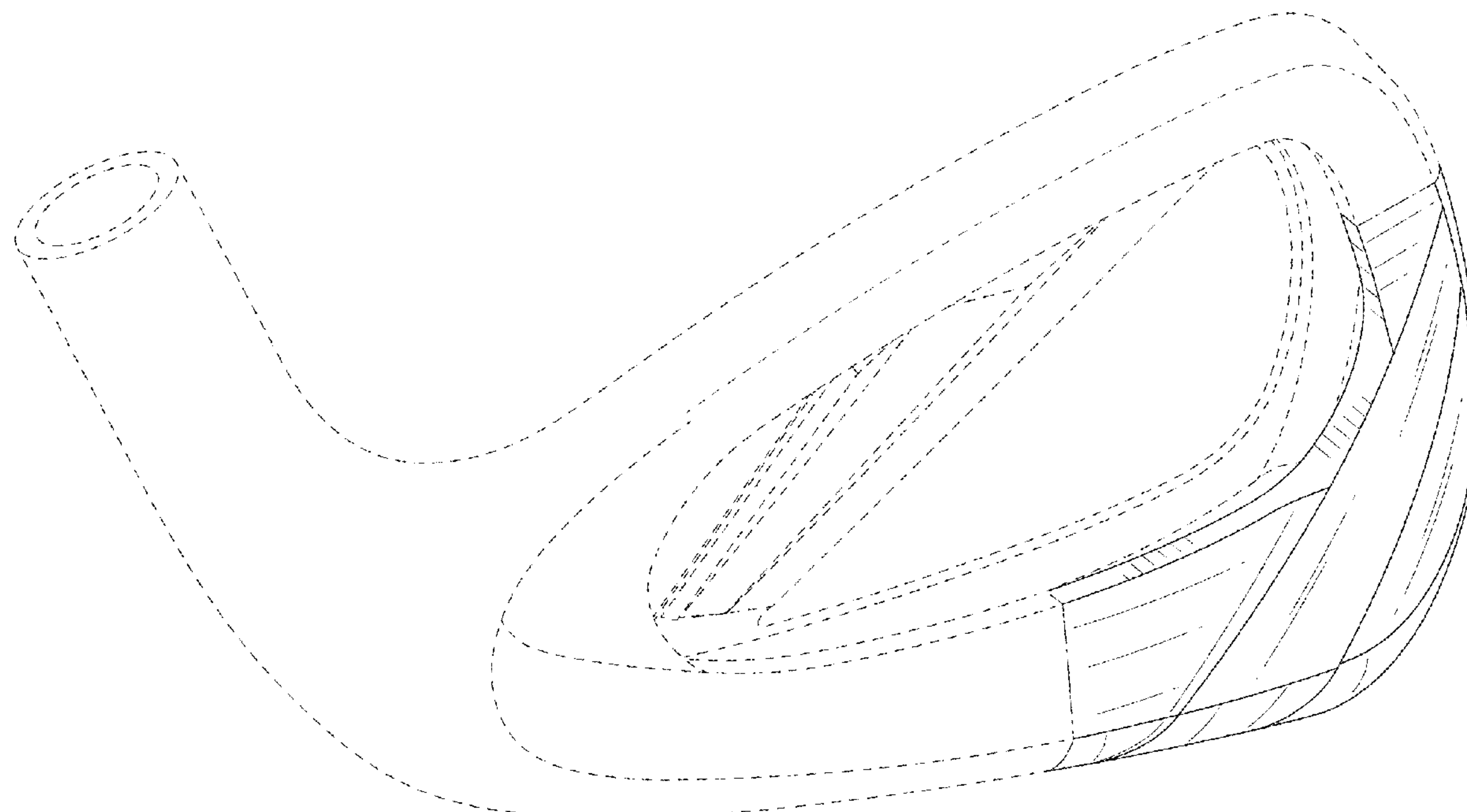
U.S. PATENT DOCUMENTS

D597,158 S *	7/2009	Schweigert	D21/747
D618,293 S *	6/2010	Foster	D21/747
D643,896 S *	8/2011	Jertson	D21/747
D652,093 S *	1/2012	Foster	D21/747

The broken lines depict portions of the head for golf club in which the design is embodied that are not considered part of the claimed design.

The dashed lines show a boundary between the claimed design and unclaimed portions.

1 Claim, 9 Drawing Sheets



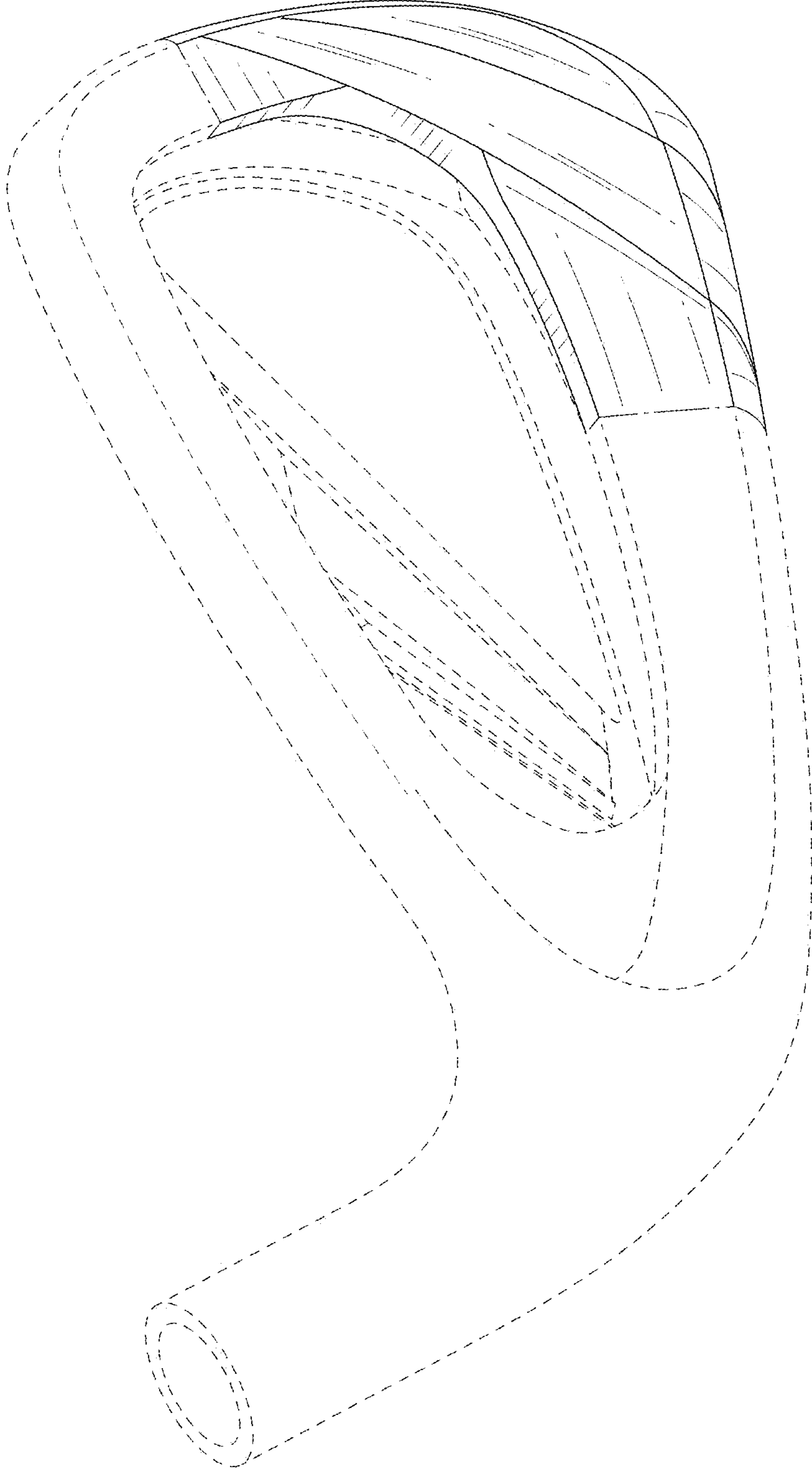


FIG. 1

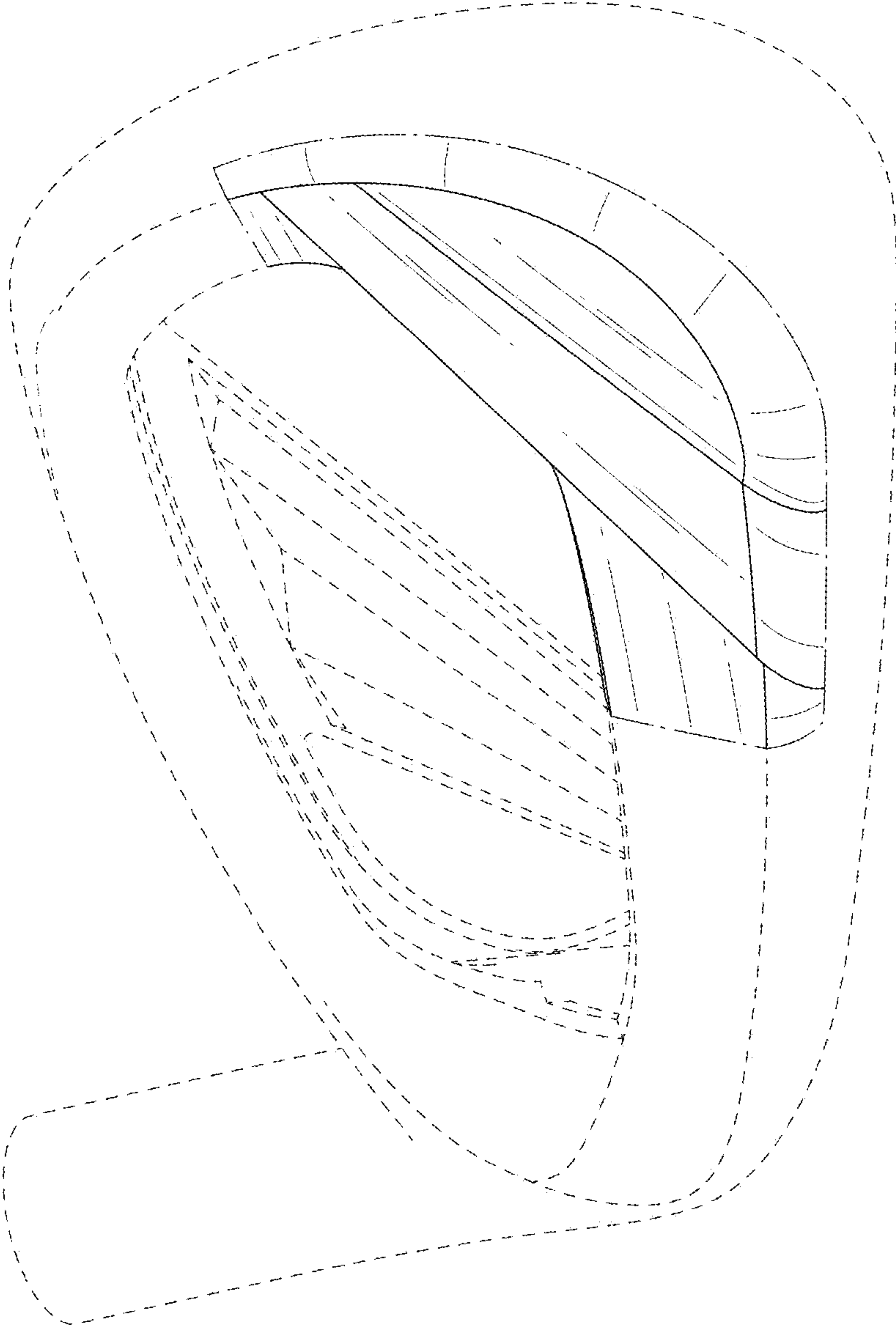


FIG.2

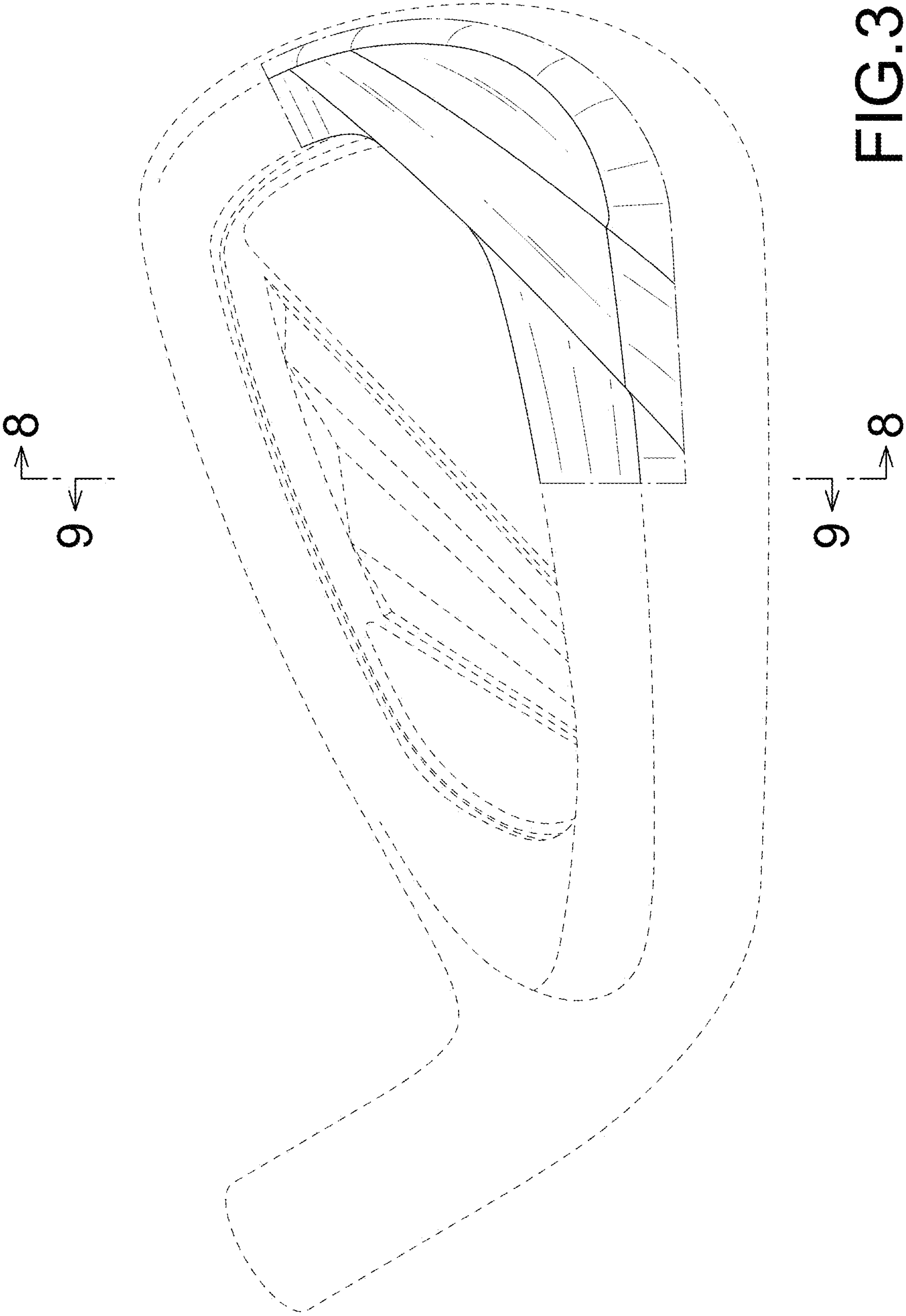


FIG.3

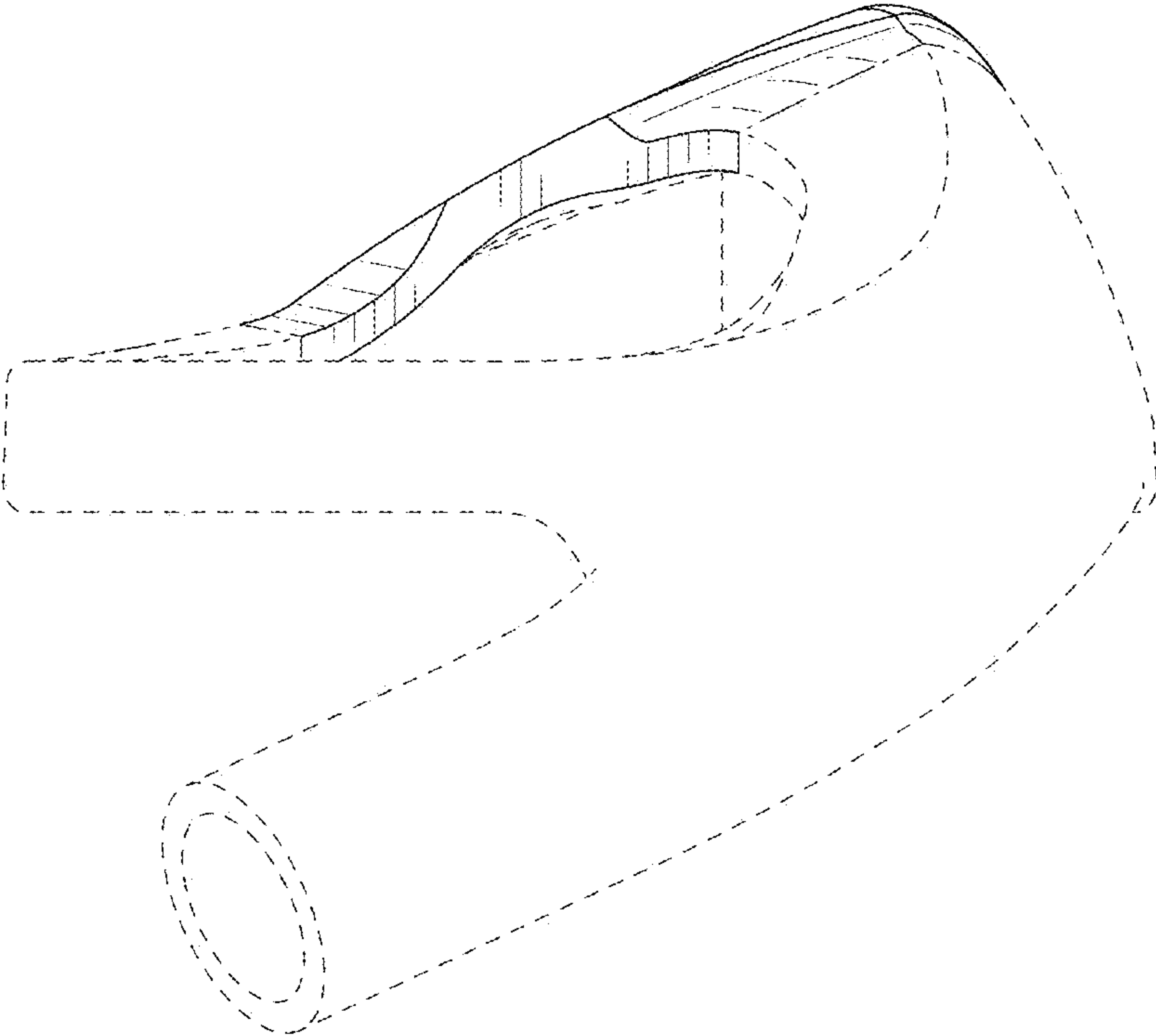


FIG.4

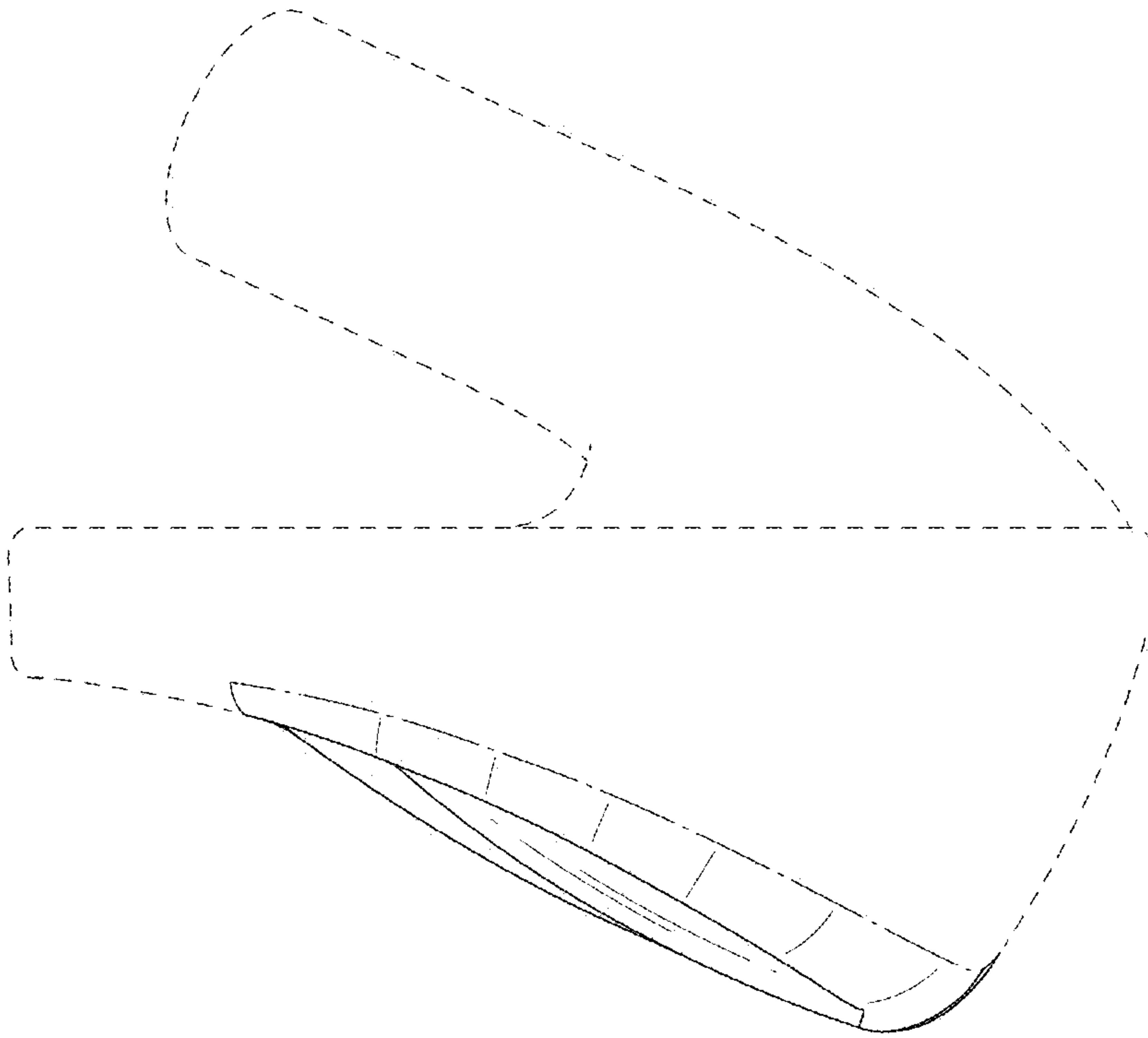


FIG. 5

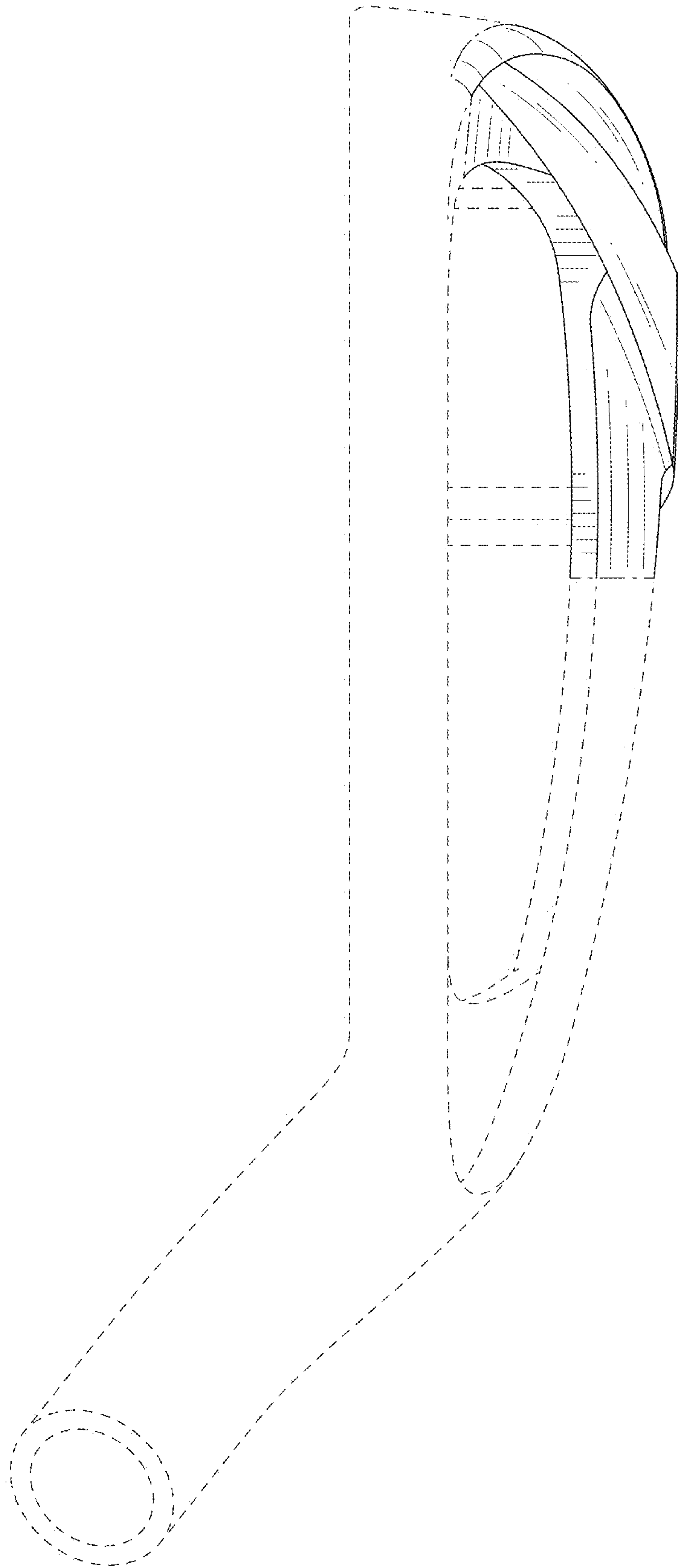


FIG. 6

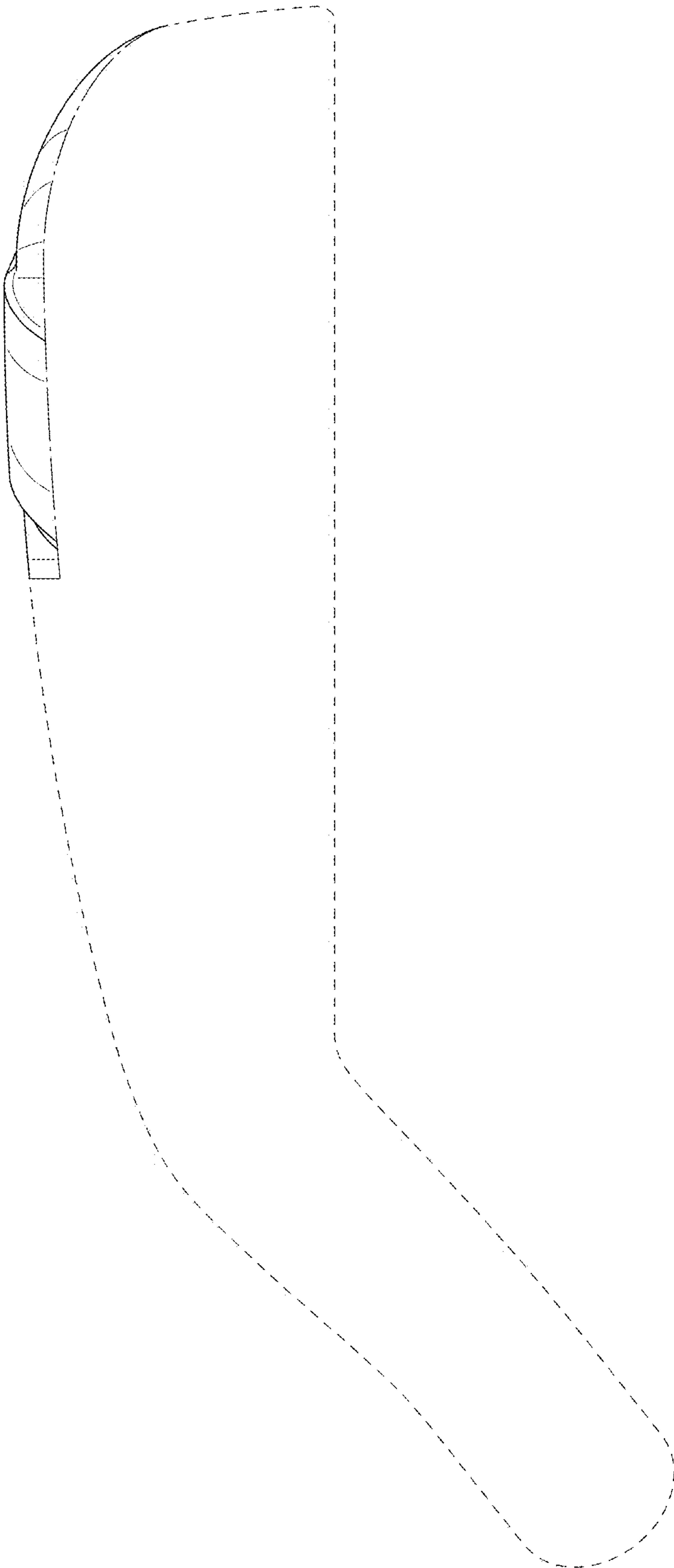
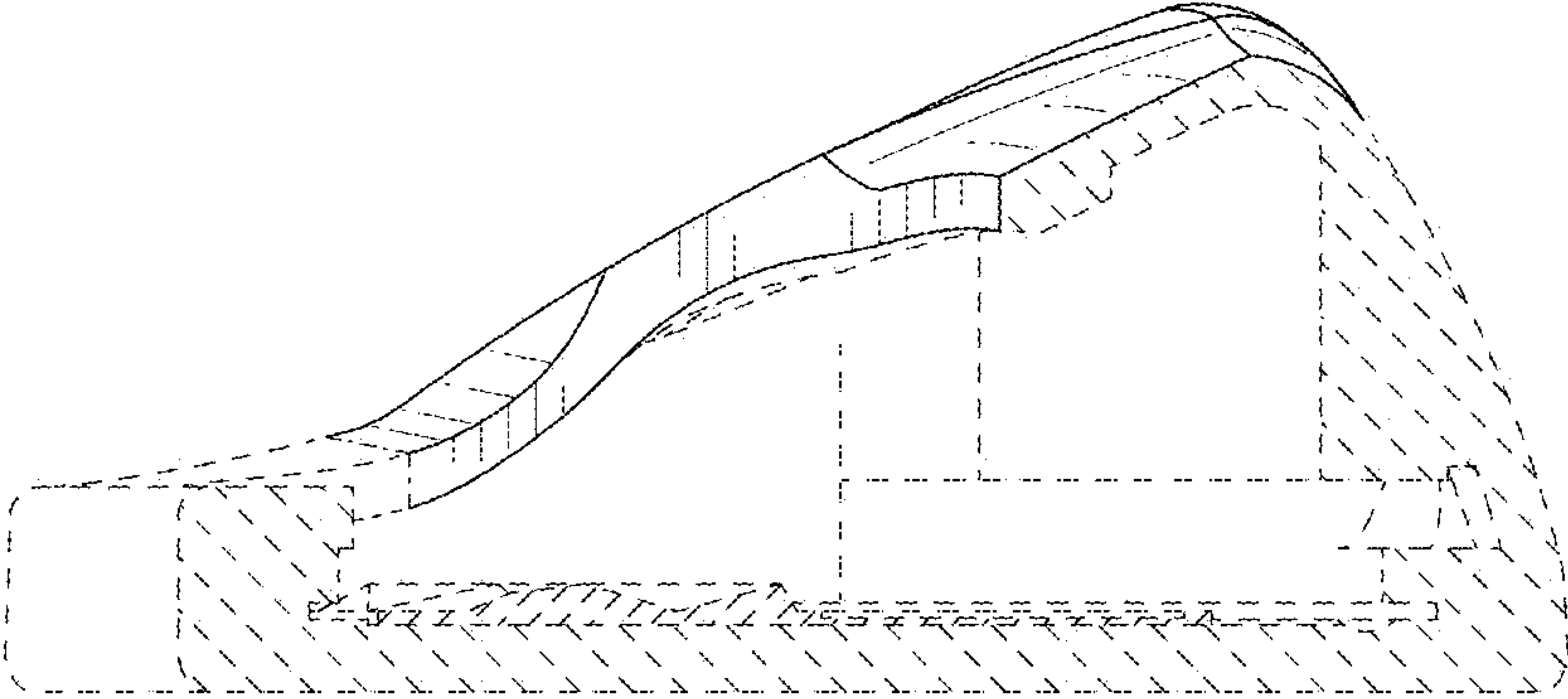


FIG. 7

FIG. 8



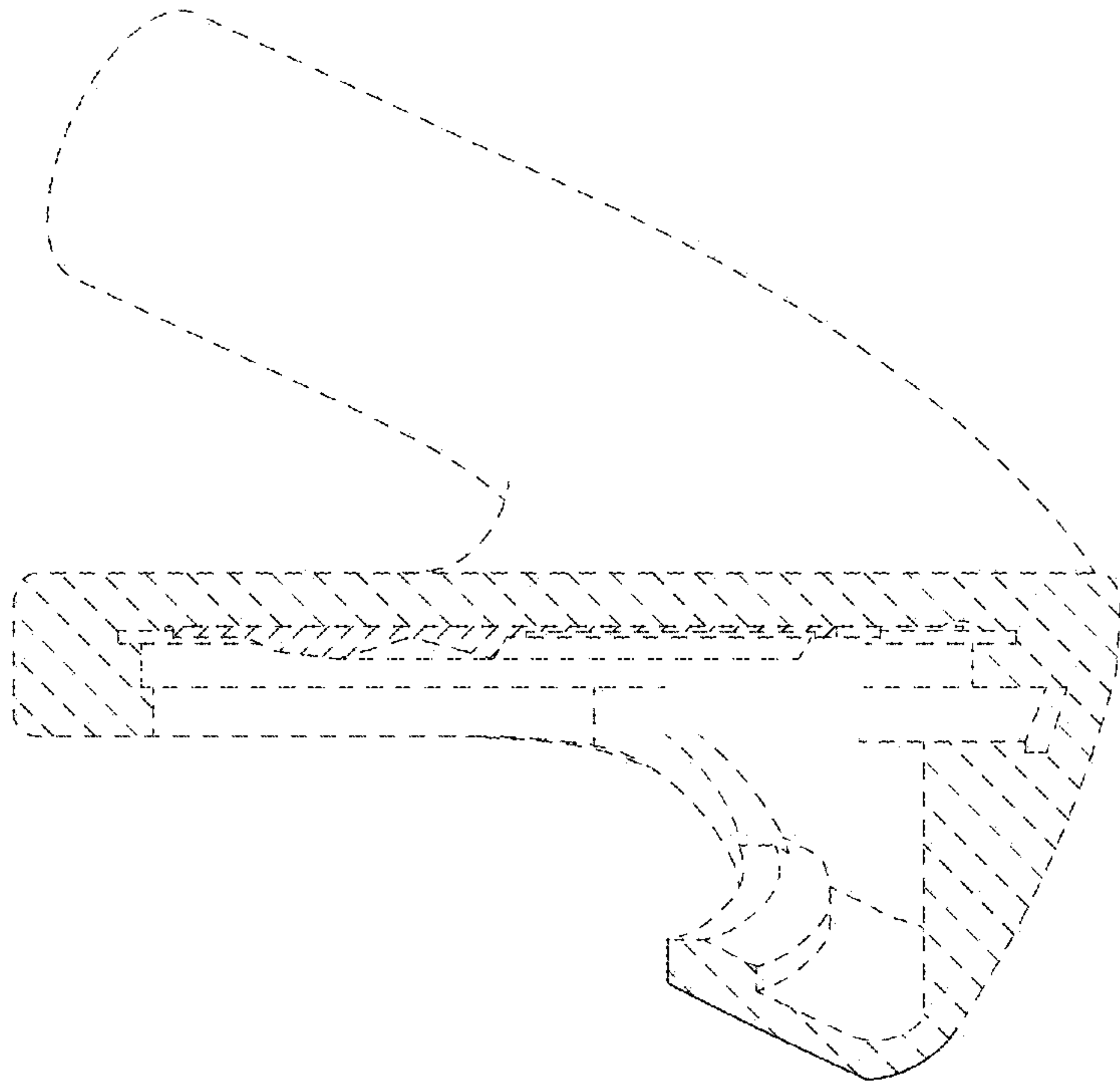


FIG. 9