



US00D921792S

(12) **United States Design Patent**
Kawami

(10) **Patent No.:** **US D921,792 S**
(45) **Date of Patent:** **** Jun. 8, 2021**

(54) **HEAD FOR GOLF CLUB**
(71) Applicant: **SUMITOMO RUBBER INDUSTRIES, LTD.**, Kobe (JP)
(72) Inventor: **Hiroshi Kawami**, Kobe (JP)
(73) Assignee: **SUMITOMO RUBBER INDUSTRIES, LTD.**, Kobe (JP)

D736,873 S * 8/2015 Voshall D21/759
D738,448 S * 9/2015 Asatsuma D21/759
D780,867 S * 3/2017 Asatsuma D21/759
9,597,562 B2 * 3/2017 Dipert A63B 60/00
D798,405 S * 9/2017 Asatsuma D21/759
D827,076 S * 8/2018 Tang D21/759

(Continued)

(**) Term: **15 Years**

(21) Appl. No.: **29/710,258**

(22) Filed: **Oct. 22, 2019**

(30) **Foreign Application Priority Data**

Apr. 23, 2019 (JP) 2019-009005

(51) **LOC (13) Cl.** **21-02**

(52) **U.S. Cl.**
USPC **D21/759**

(58) **Field of Classification Search**
USPC D21/747-751, 759
CPC A63B 53/00; A63B 53/02; A63B 53/04;
A63B 53/047; A63B 53/0475; A63B
2053/0479; A63B 2053/0483; A63B
2053/0445; A63B 60/00; A63B 60/46
See application file for complete search history.

(56) **References Cited**

U.S. PATENT DOCUMENTS

D163,961 S * 7/1951 Penna D21/751
D475,107 S * 5/2003 Madore D21/759
D487,127 S * 2/2004 Madore D21/747
D499,155 S * 11/2004 Imamoto D21/747
D516,649 S * 3/2006 Imamoto D21/747
7,125,343 B2 * 10/2006 Imamoto A63B 53/04
473/332
D619,184 S * 7/2010 Llewellyn D21/759
D669,947 S * 10/2012 Kim D21/747
D720,026 S * 12/2014 Llewellyn D21/759

OTHER PUBLICATIONS

Casco Kabushiki Kaisha, "Own the Fairway 2010," Feb. 26, 2010, Japan Patent Office Design Division Publicly Known Document No. HC22001908, 1 page.

(Continued)

Primary Examiner — Mitchell I. Siegel

(74) *Attorney, Agent, or Firm* — Birch, Stewart, Kolasch & Birch LLP

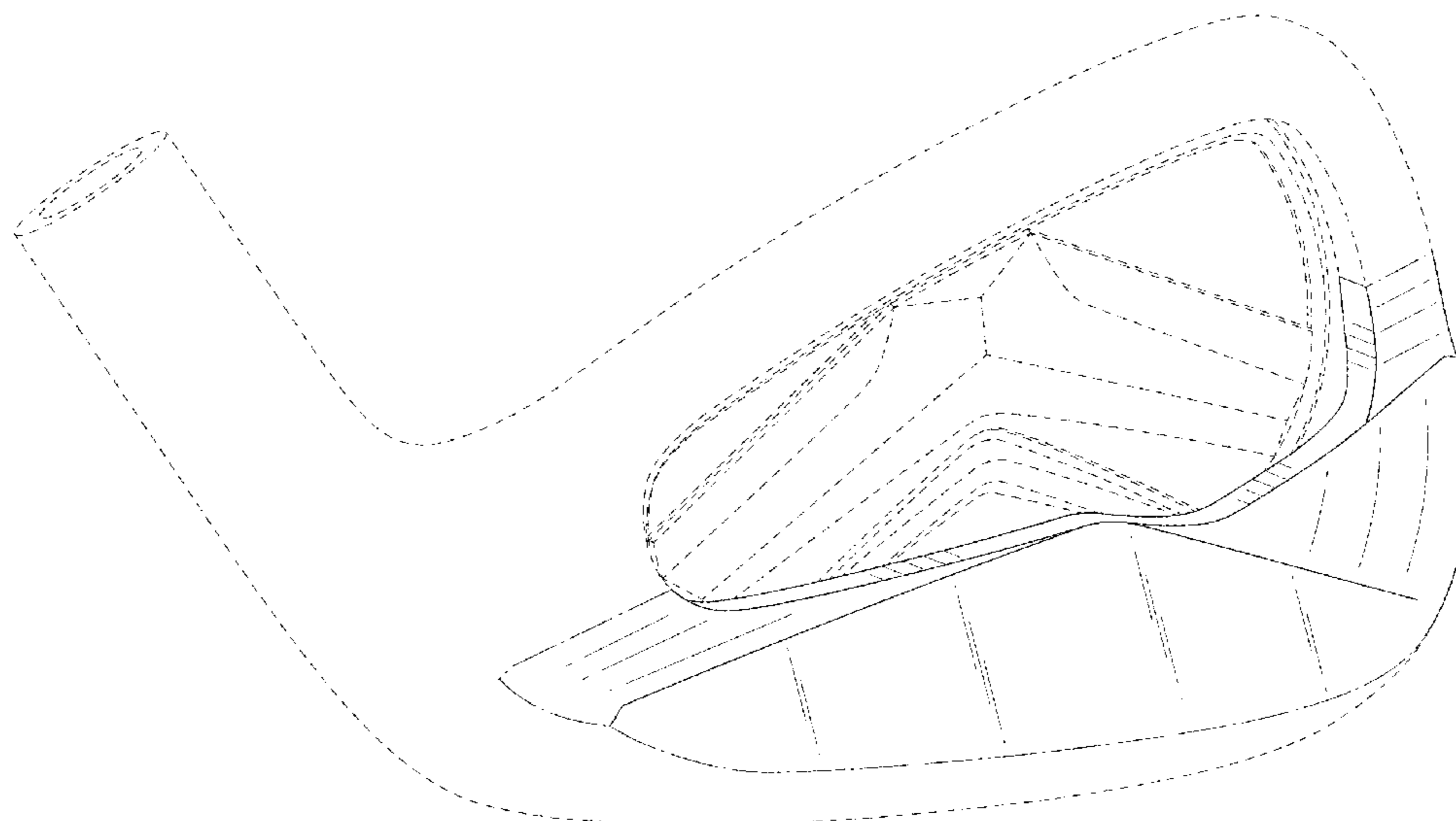
(57) **CLAIM**

The ornamental design for a head for golf club, as shown and described.

DESCRIPTION

FIG. 1 is a first perspective view of a head for golf club; FIG. 2 is a second perspective view thereof; FIG. 3 is a front view thereof; FIG. 4 is a left side view thereof; FIG. 5 is a right side view thereof; FIG. 6 is a top view thereof; FIG. 7 is a bottom view thereof; FIG. 8 is a cross-sectional view taken along line 8-8 in FIG. 3 thereof; and, FIG. 9 is a cross-sectional view taken along line 9-9 in FIG. 3 thereof. The broken lines depict portions of the head for golf club in which the design is embodied that are not considered part of the claimed design. The dashed lines show a boundary between the claimed design and unclaimed portions.

1 Claim, 9 Drawing Sheets



(56)

References Cited

U.S. PATENT DOCUMENTS

D834,666	S	*	11/2018	Tang	D21/759
D859,550	S	*	9/2019	Asatsuma	D21/759
D859,551	S	*	9/2019	Asatsuma	D21/759
D861,812	S	*	10/2019	Asatsuma	D21/759
D863,479	S	*	10/2019	Stokke	D21/747
D885,501	S	*	5/2020	Tsuchihashi	D21/748

OTHER PUBLICATIONS

Japanese Office Action for Japanese Application No. 2019-009005,
dated Jan. 6, 2020, with partial English translation.

* cited by examiner

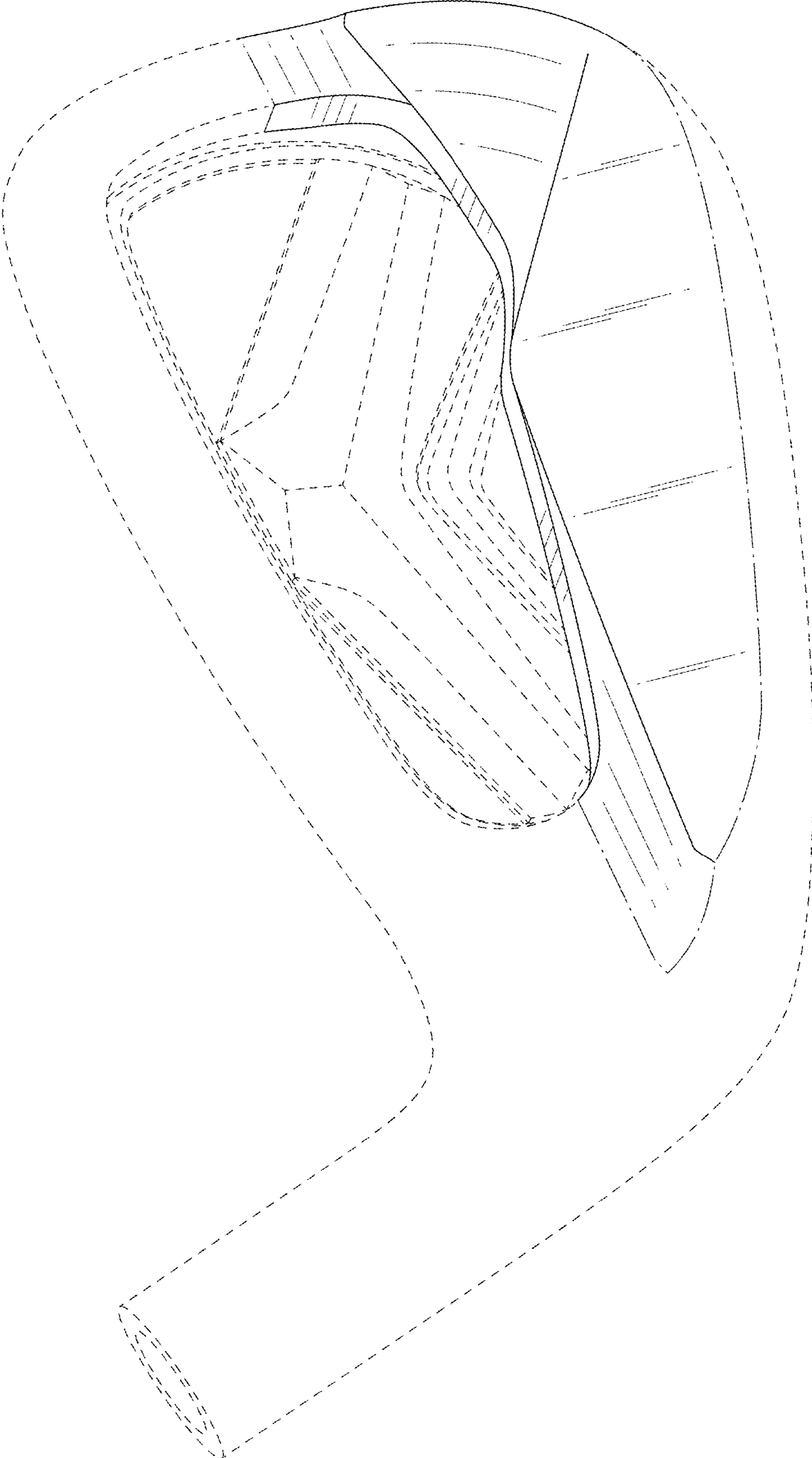


FIG.1

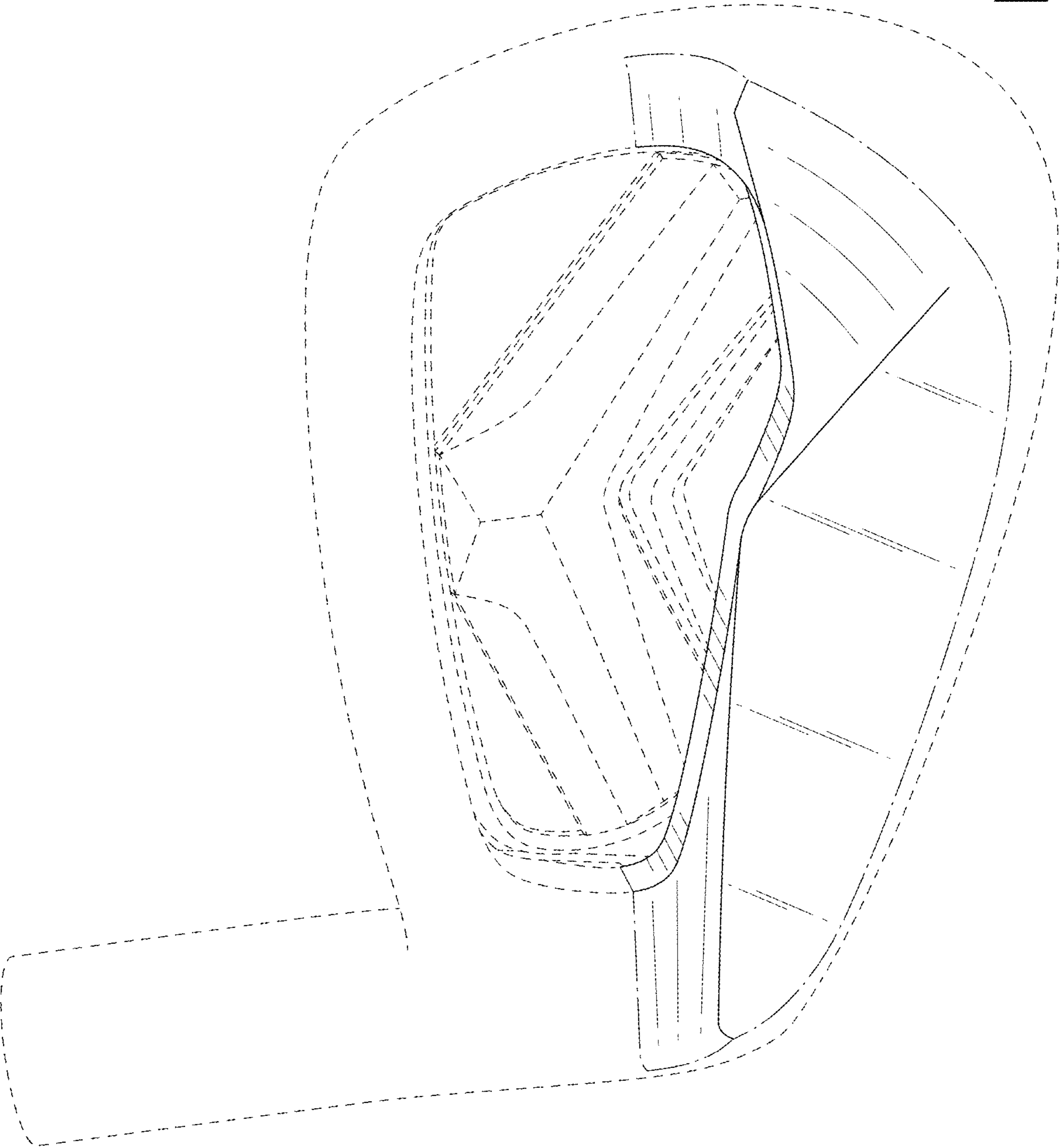
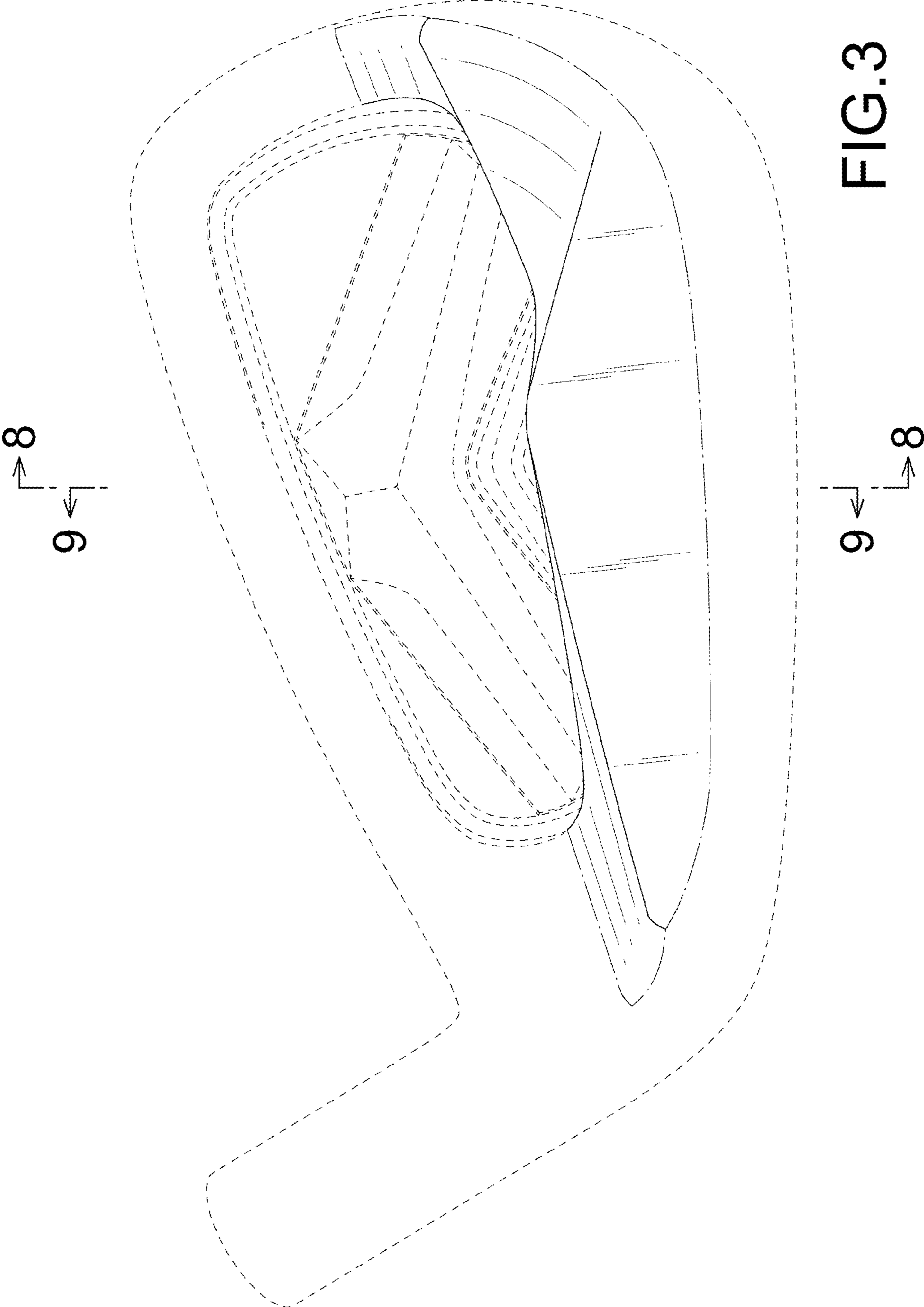


FIG.2



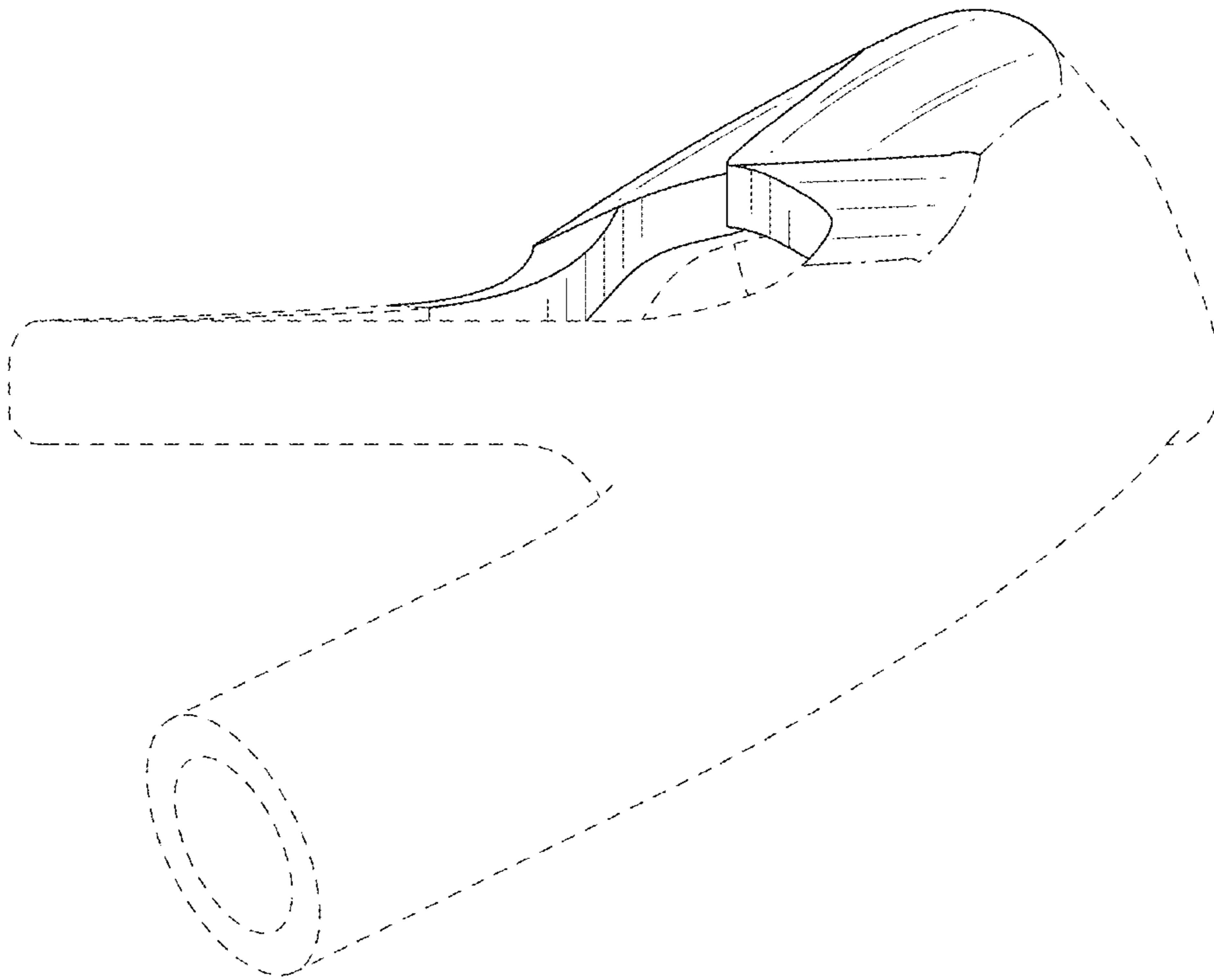


FIG.4

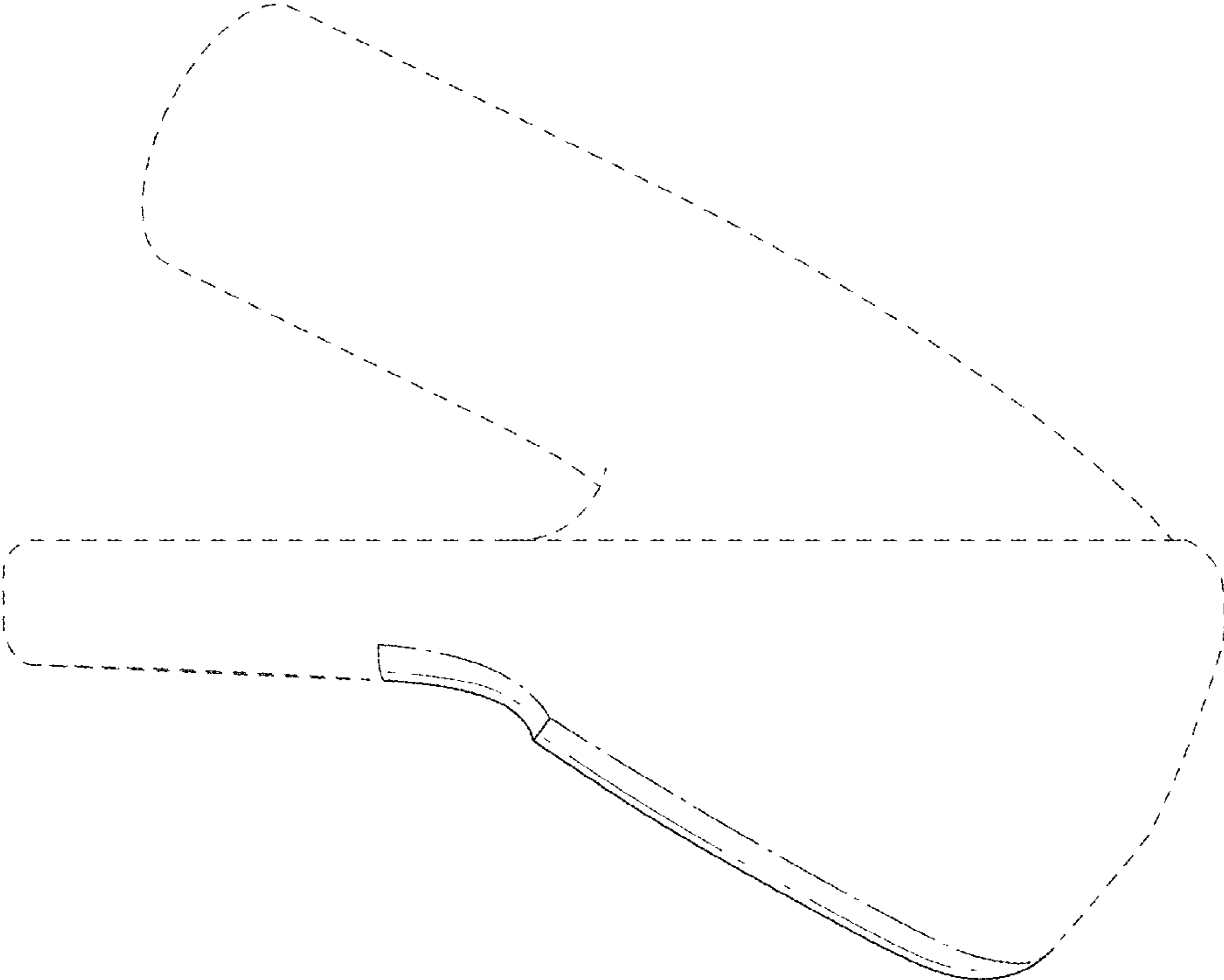


FIG. 5

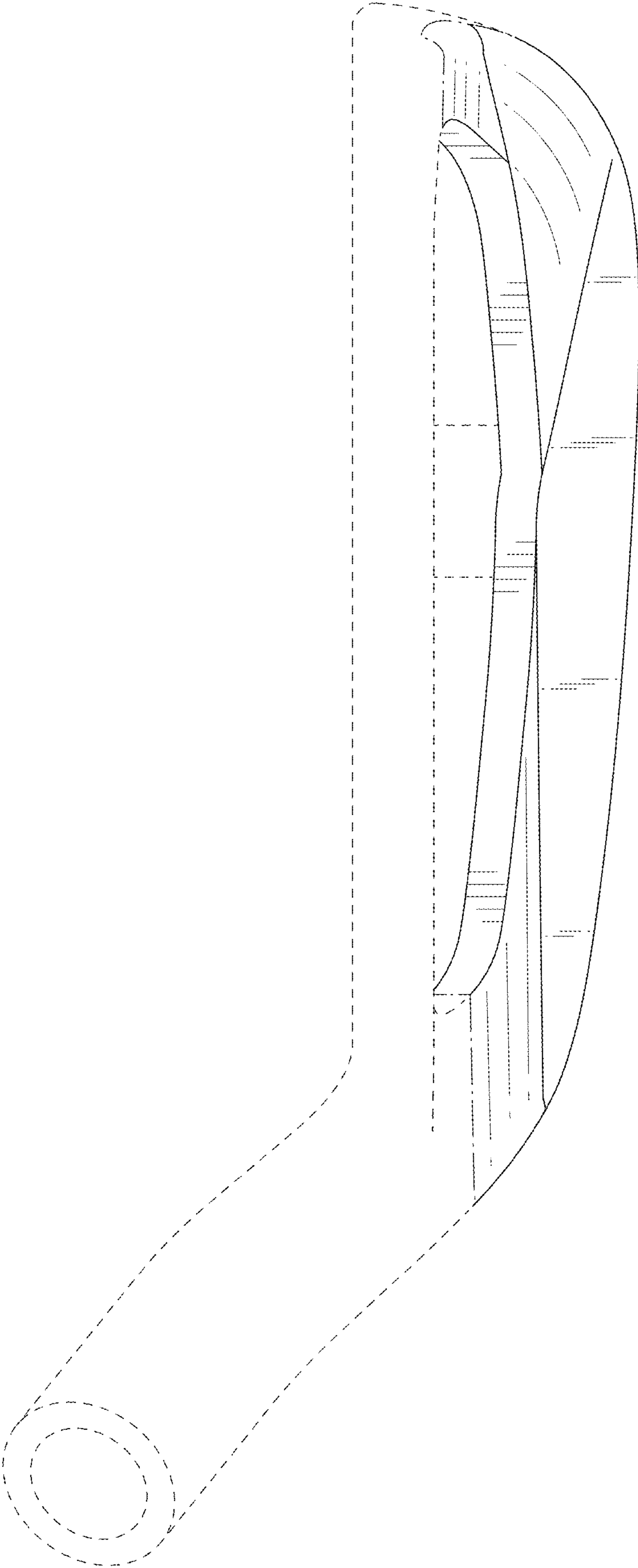


FIG.6

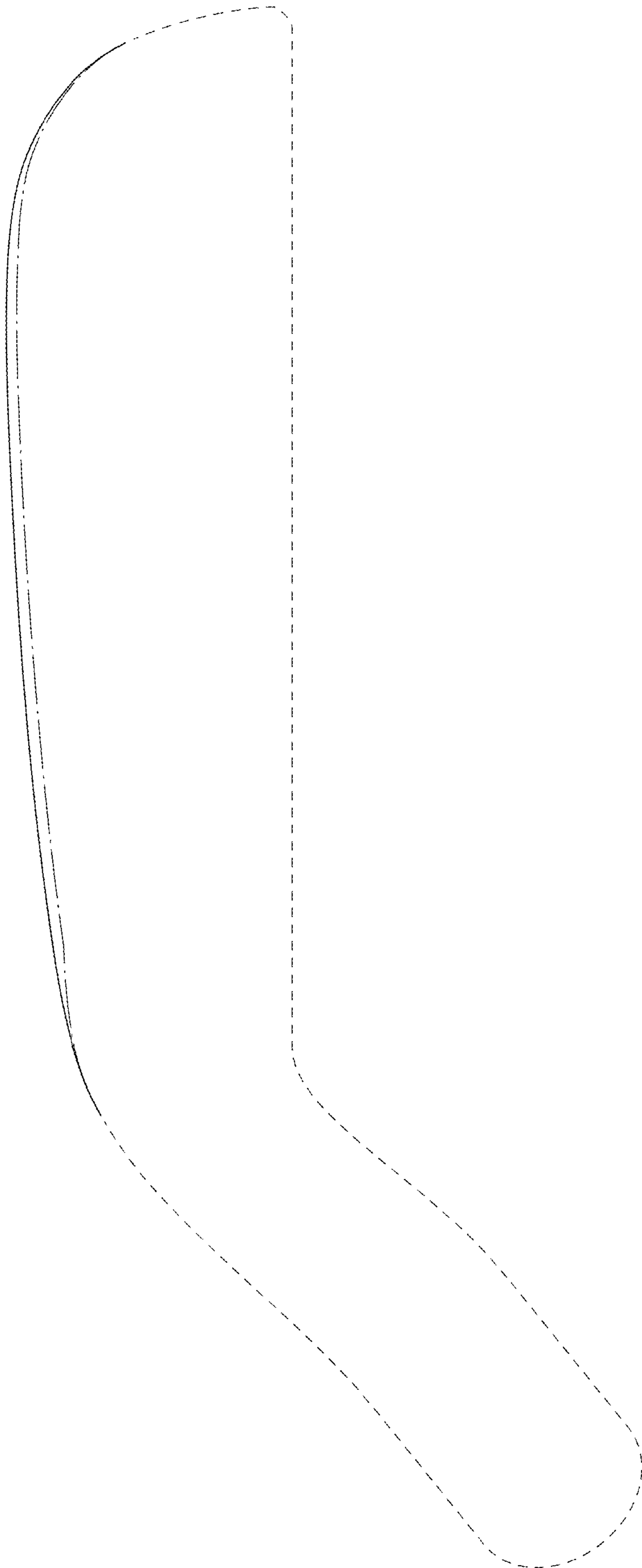


FIG. 7

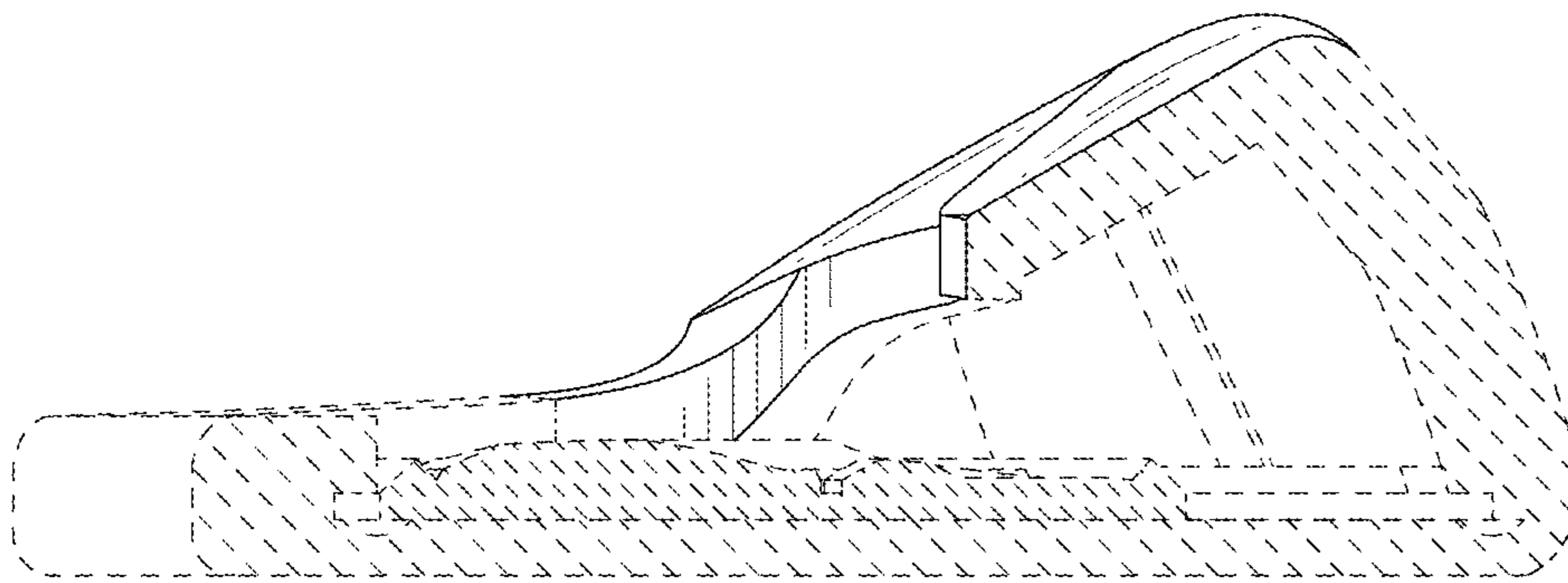


FIG. 8

FIG. 9

