



US00D921785S

(12) **United States Design Patent** (10) **Patent No.:** **US D921,785 S**
Agrella et al. (45) **Date of Patent:** **** *Jun. 8, 2021**

- (54) **GOLF CLUB HEAD**
- (71) Applicant: **SUMITOMO RUBBER INDUSTRIES, LTD.**, Kobe (JP)
- (72) Inventors: **Alexandra Agrella**, Huntington Beach, CA (US); **Darius Cyrulik**, Alhambra, CA (US); **Phillip C. Seagram**, Long Beach, CA (US)
- (73) Assignee: **SUMITOMO RUBBER INDUSTRIES, LTD.**, Kobe (JP)
- (*) Notice: This patent is subject to a terminal disclaimer.
- (**) Term: **15 Years**
- (21) Appl. No.: **29/705,624**
- (22) Filed: **Sep. 13, 2019**
- (51) **LOC (13) Cl.** **21-02**
- (52) **U.S. Cl.**
USPC **D21/747**
- (58) **Field of Classification Search**
USPC D21/747-751, 759
CPC A63B 53/00; A63B 53/02; A63B 53/04; A63B 53/047; A63B 53/0475; A63B 2053/0479; A63B 2053/0483; A63B 2053/0445; A63B 60/00; A63B 60/46
See application file for complete search history.

- (56) **References Cited**
U.S. PATENT DOCUMENTS
D505,466 S * 5/2005 Lang D21/749
D510,115 S * 9/2005 Lang D21/749
D518,539 S * 4/2006 Cleveland D21/748
D566,803 S * 4/2008 Foster D21/747
D598,060 S * 8/2009 Barez D21/747
D659,214 S * 5/2012 Oldknow D21/759
D669,947 S * 10/2012 Kim D21/747

- D680,603 S * 4/2013 Nicolette D21/749
- D684,227 S * 6/2013 Roach D21/749
- D684,228 S * 6/2013 Breier D21/749
- D707,766 S * 6/2014 Wolfe D21/747
- D709,149 S * 7/2014 Roach D21/747
- D716,391 S * 10/2014 Roche D21/759
- D733,819 S * 7/2015 Dolezel D21/747
- D764,612 S * 8/2016 Tang D21/759
- D767,695 S * 9/2016 Kitching, Jr. D21/747
- D768,249 S * 10/2016 Chun D21/747
- D791,892 S * 7/2017 Stokke D21/747
- D815,705 S * 4/2018 Dolezel D21/749
- D875,860 S * 2/2020 Kim D21/759
- D895,749 S * 9/2020 Seagram D21/747
- 2015/0367198 A1 * 12/2015 Seagram A63B 53/047
473/349
- 2020/0353321 A1 * 11/2020 Grenier A63B 60/52

* cited by examiner

Primary Examiner — Mitchell I. Siegel
(74) Attorney, Agent, or Firm — Oliff PLC

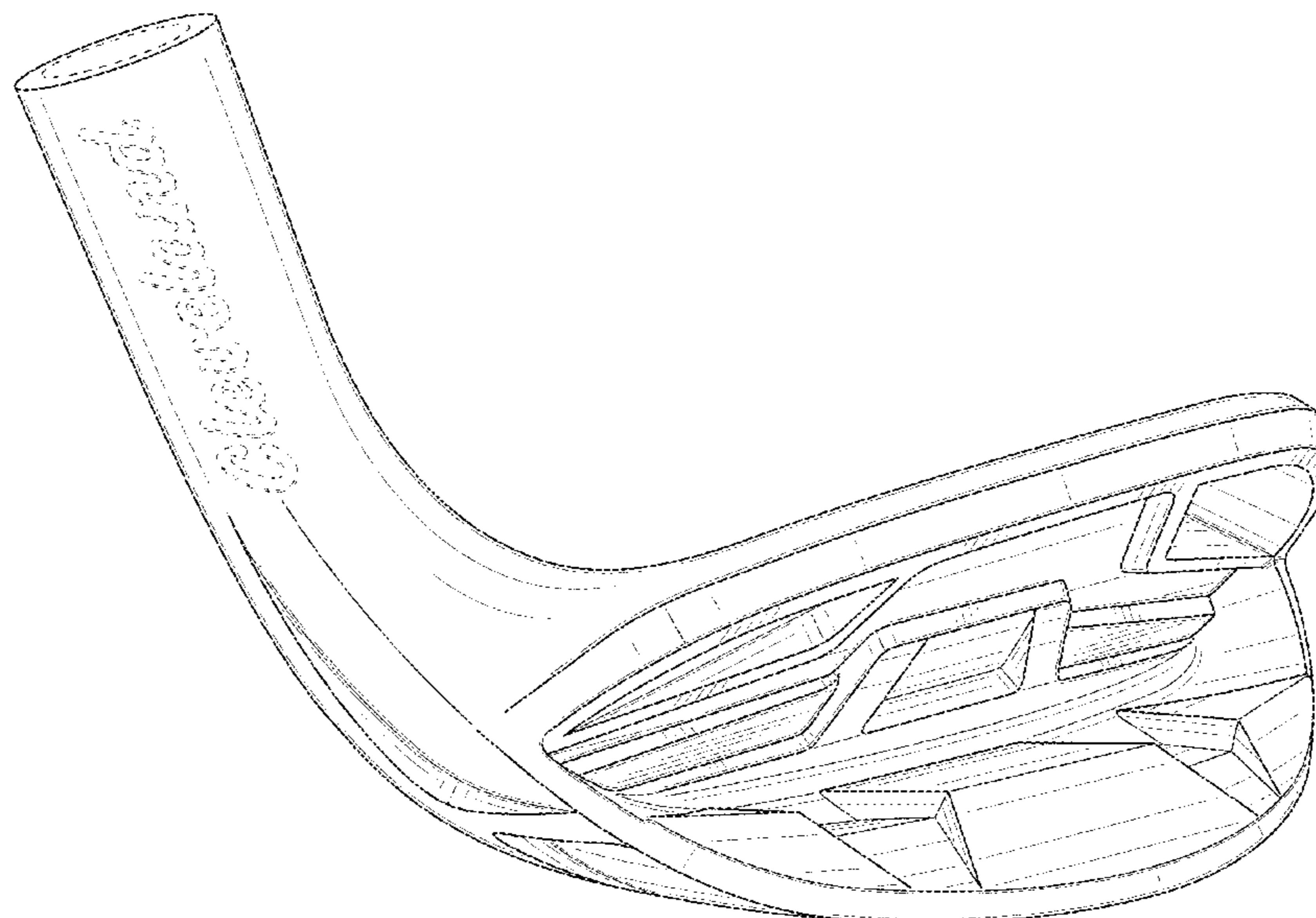
(57) **CLAIM**

The ornamental design for a golf club head, as shown and described.

DESCRIPTION

FIG. 1 is a rear, heel-side, top perspective view of the golf club head;
FIG. 2 is a rear elevational view thereof;
FIG. 3 is a front elevational view thereof;
FIG. 4 is a heel-side elevational view thereof;
FIG. 5 is a toe-side elevational view thereof;
FIG. 6 is a top plan view thereof;
FIG. 7 is a bottom plan view thereof;
FIG. 8 is a rear, toe-side, bottom perspective view thereof;
FIG. 9 is a front, toe-side, top perspective view thereof; and,
FIG. 10 is a front, heel-side, top perspective view thereof.
The broken lines depict parts of the golf club head that form no part of the claimed design.

1 Claim, 10 Drawing Sheets



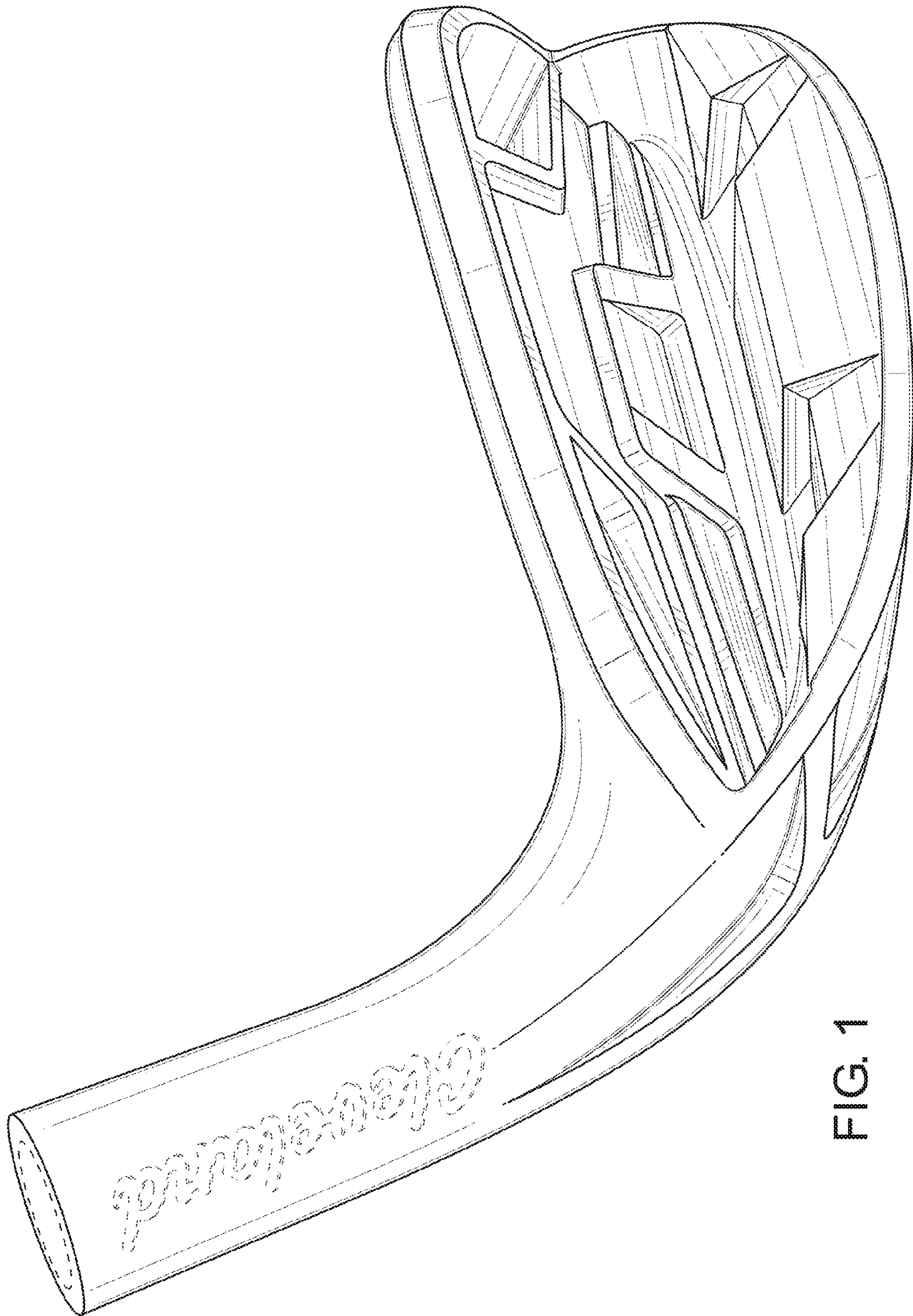


FIG. 1

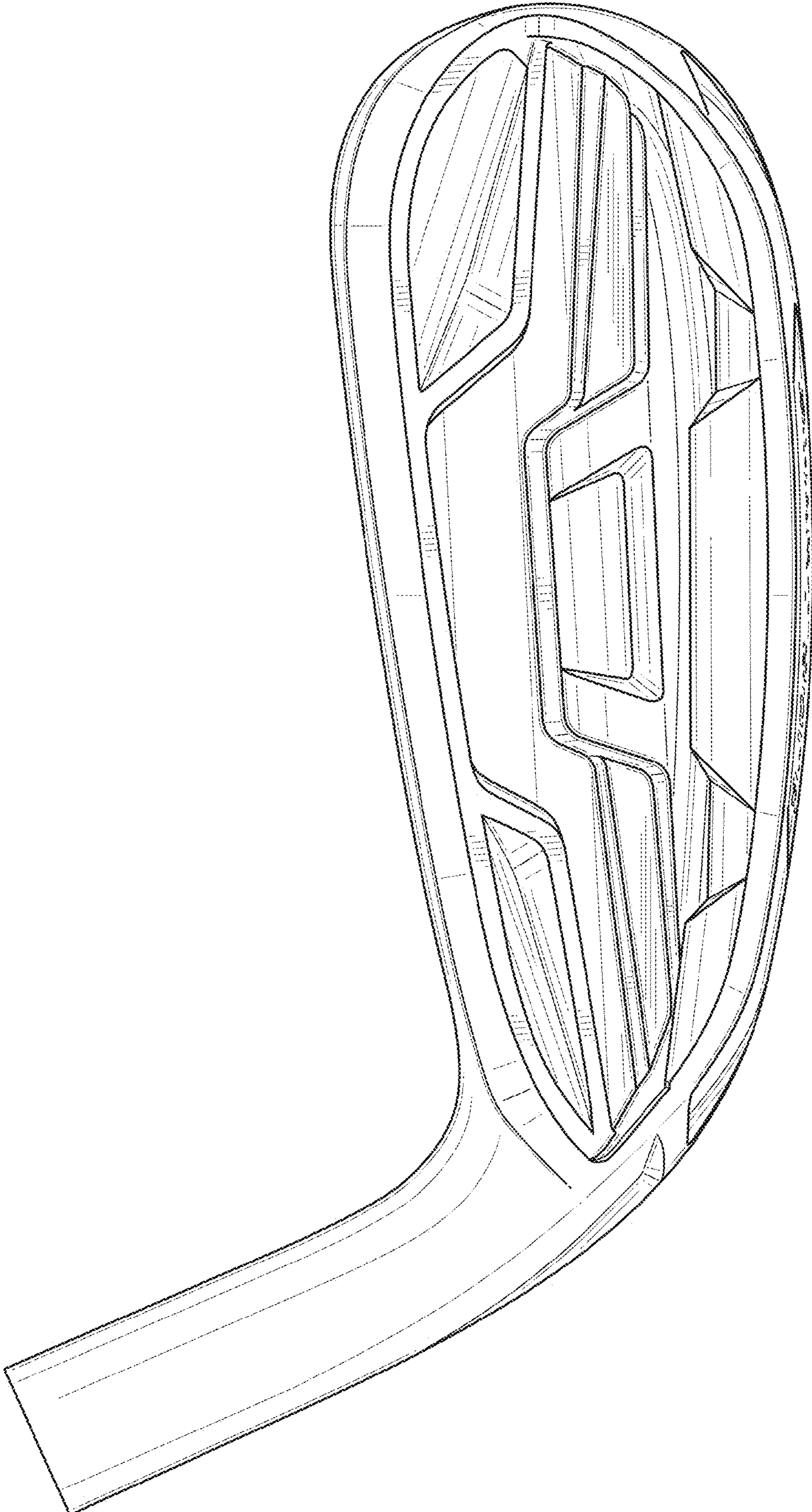


FIG. 2

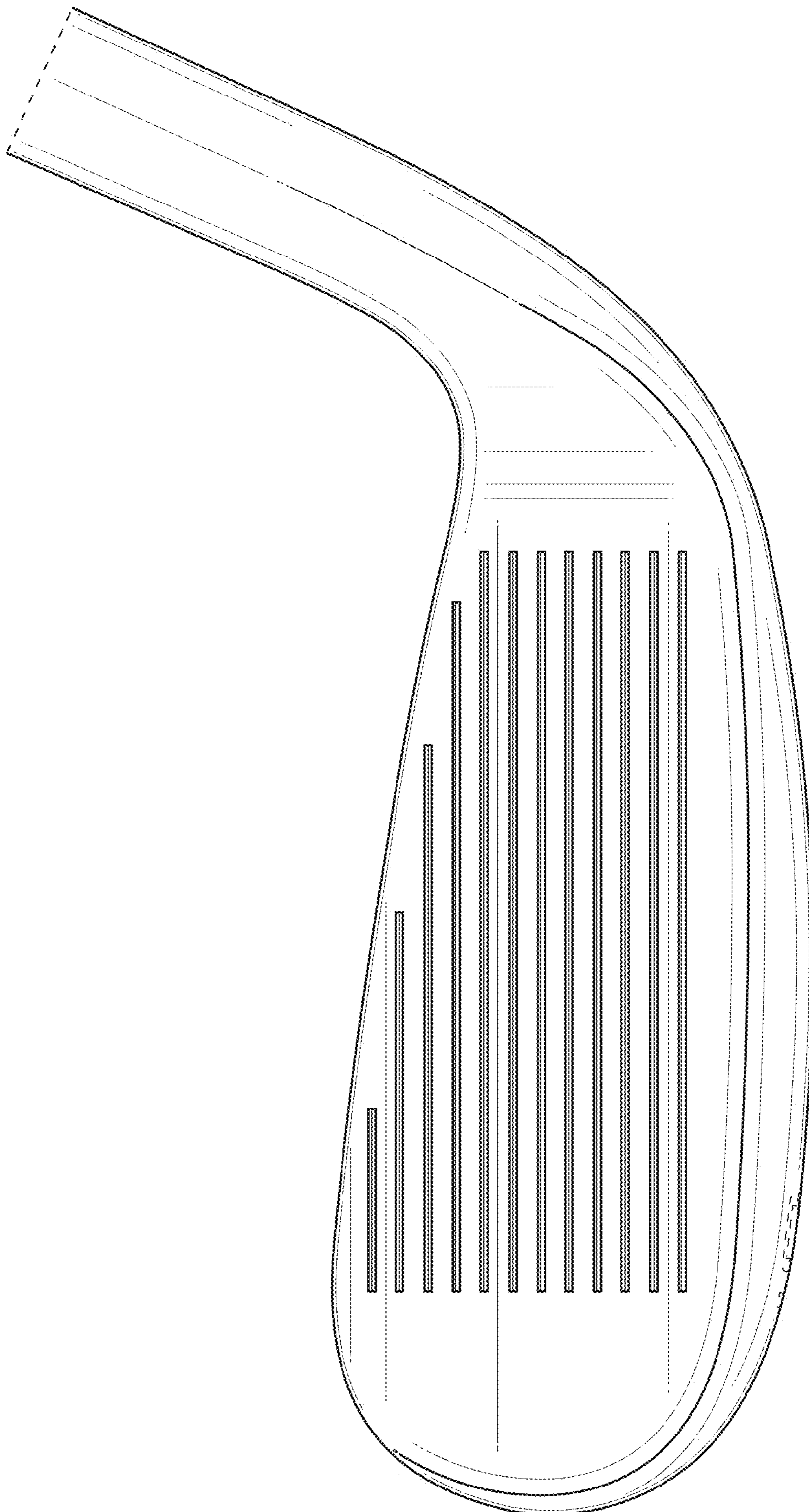


FIG. 3

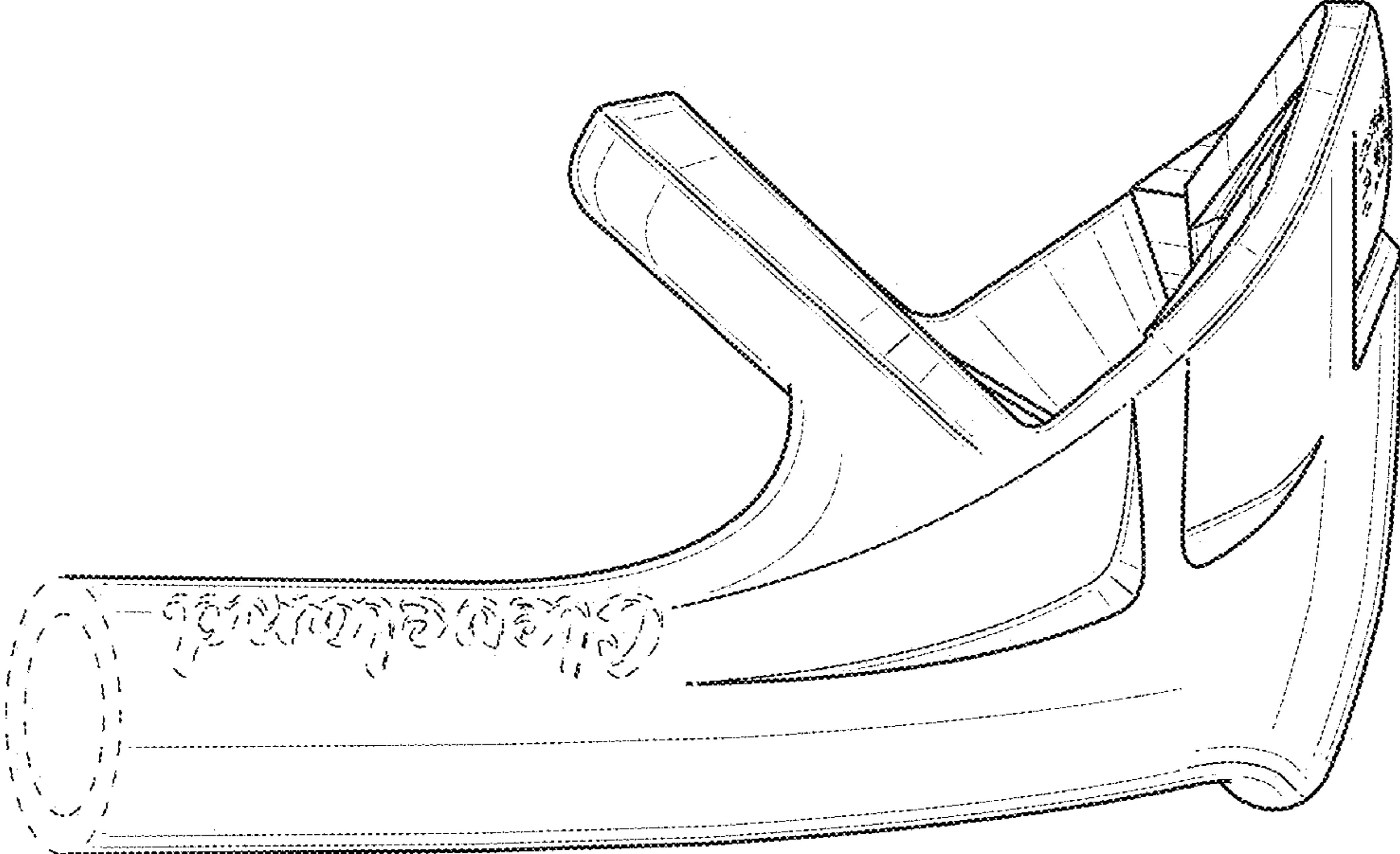


FIG. 4

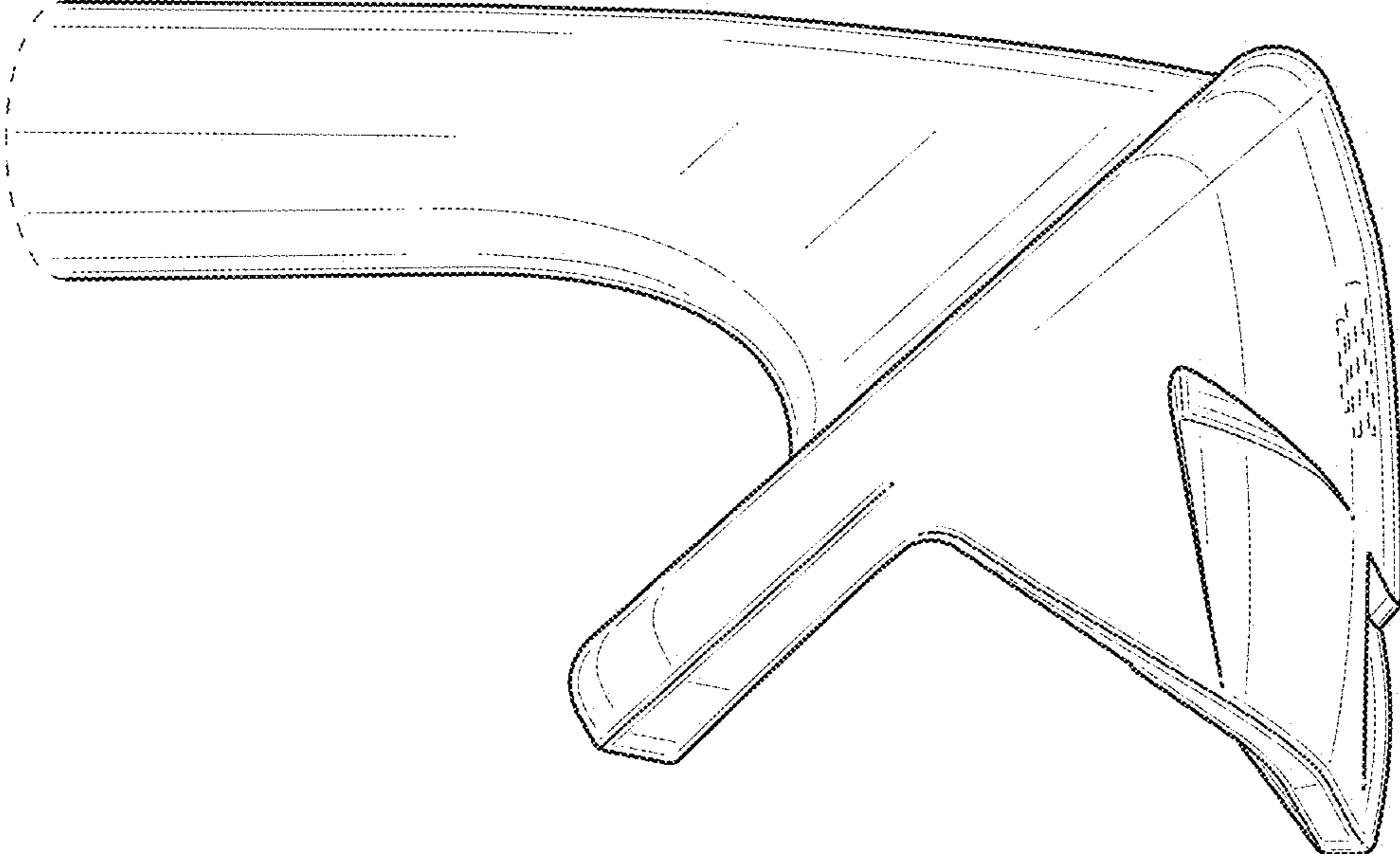


FIG. 5

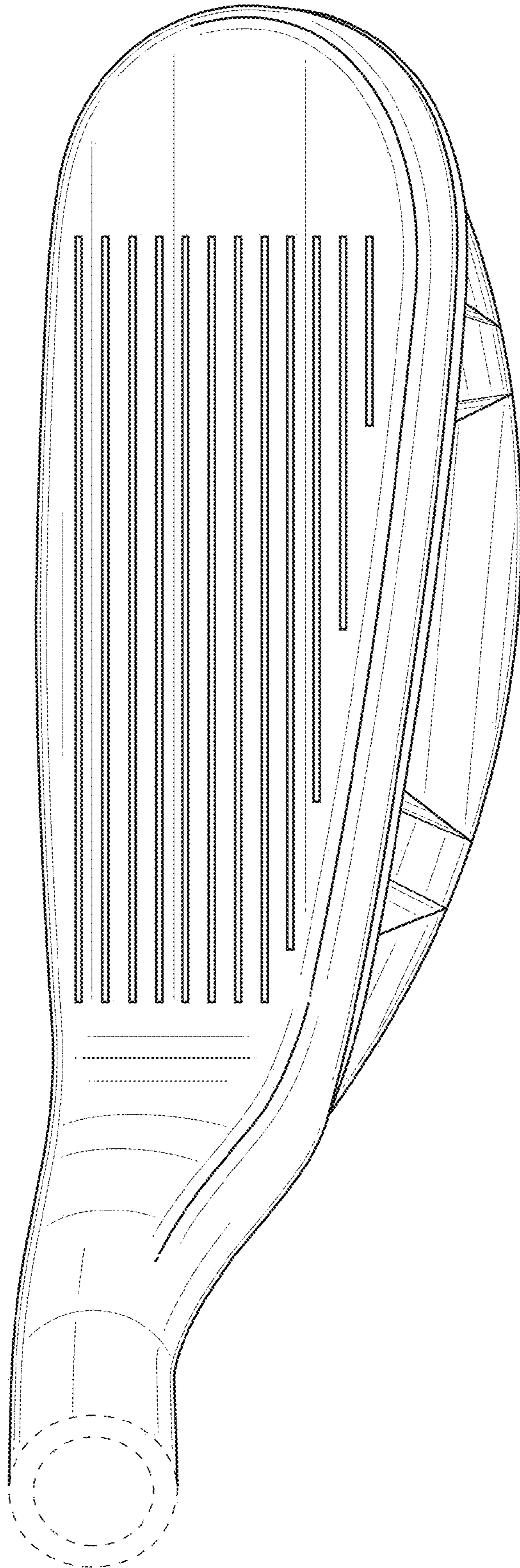


FIG. 6

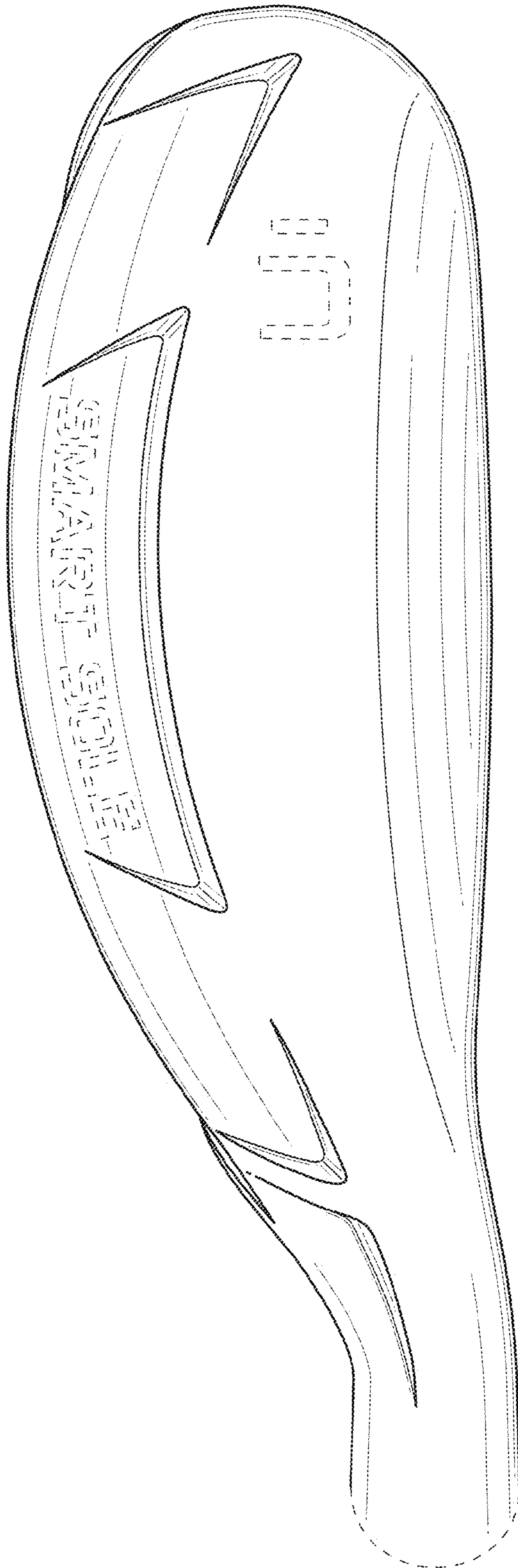


FIG. 7

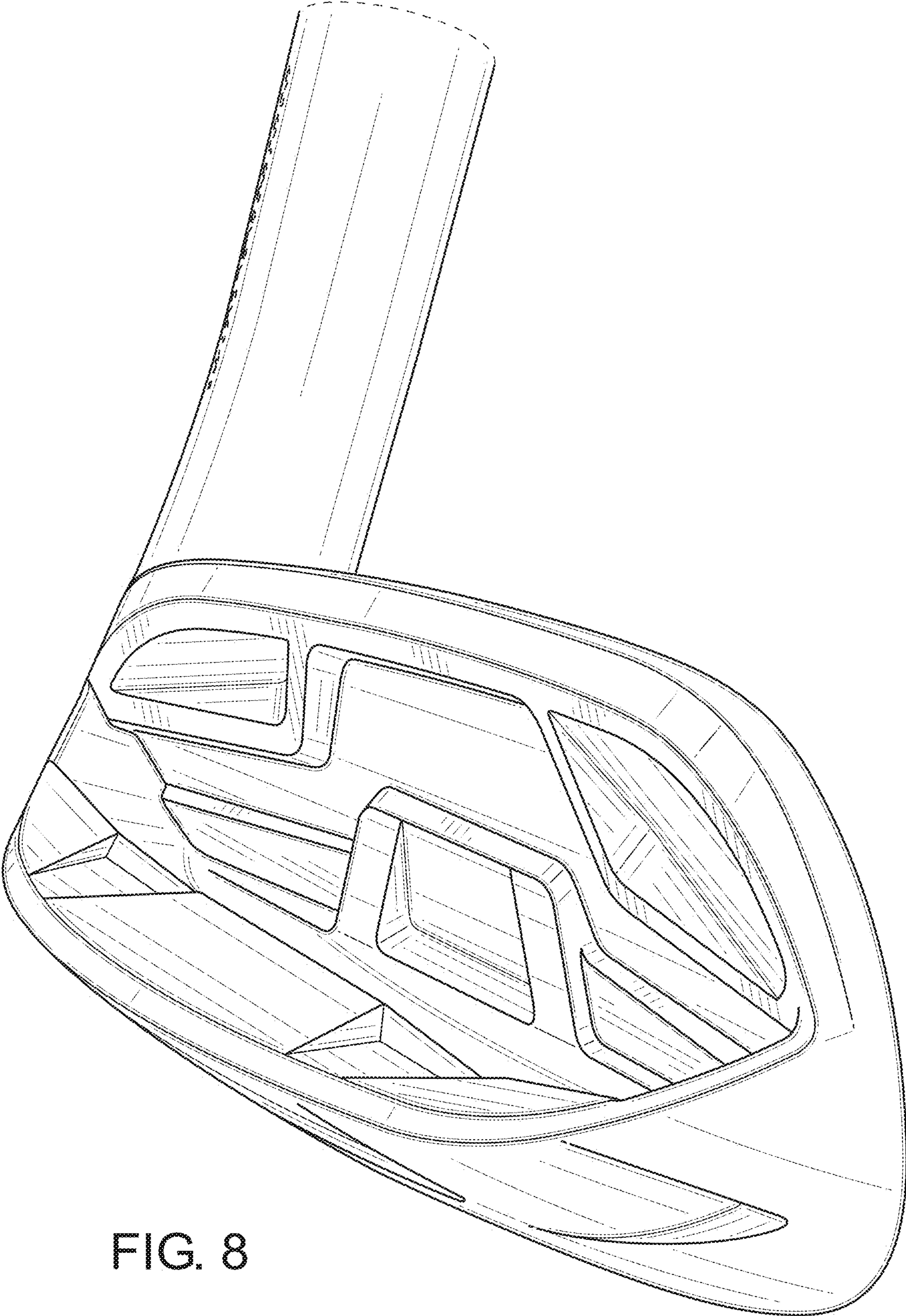


FIG. 8

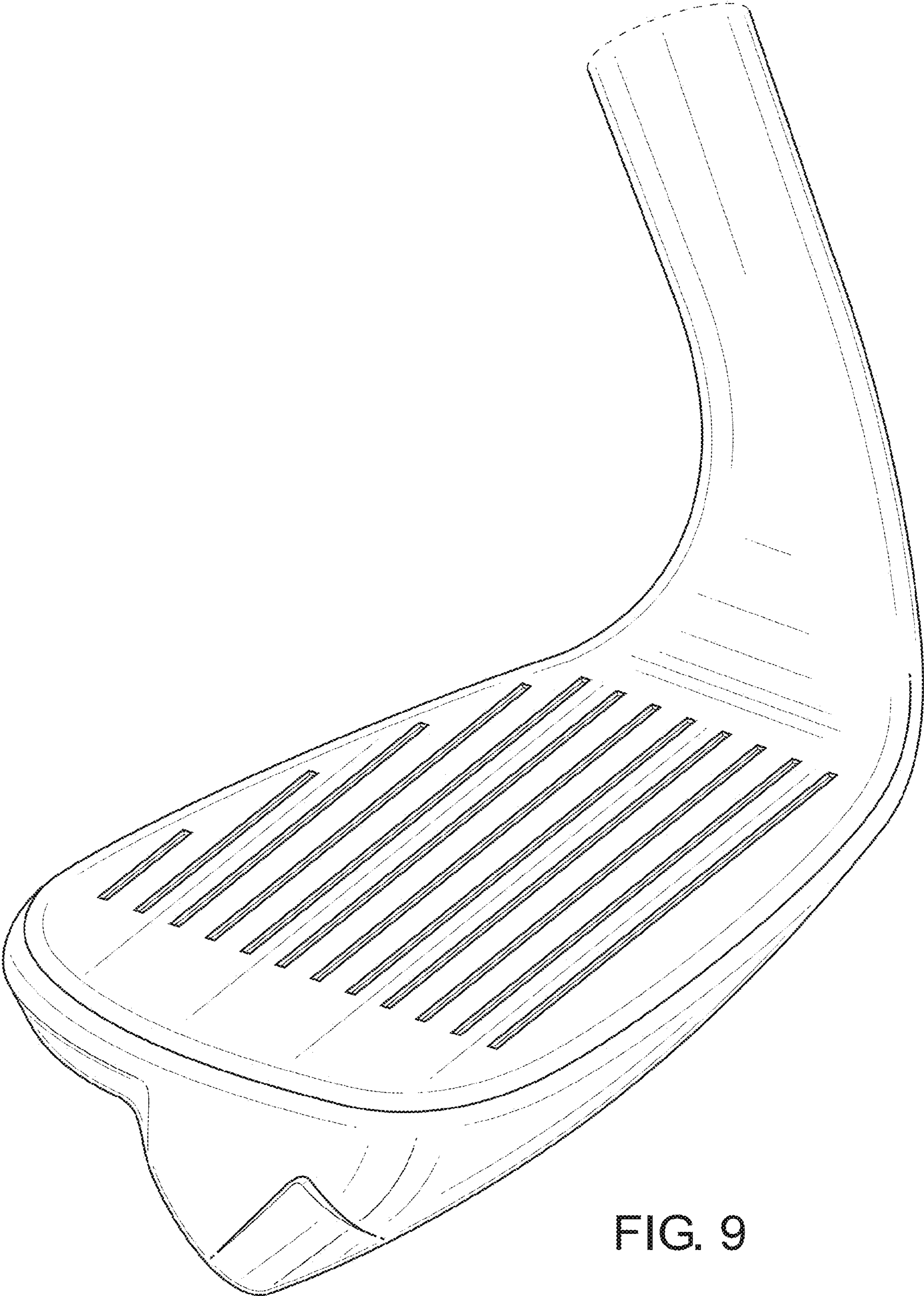


FIG. 9

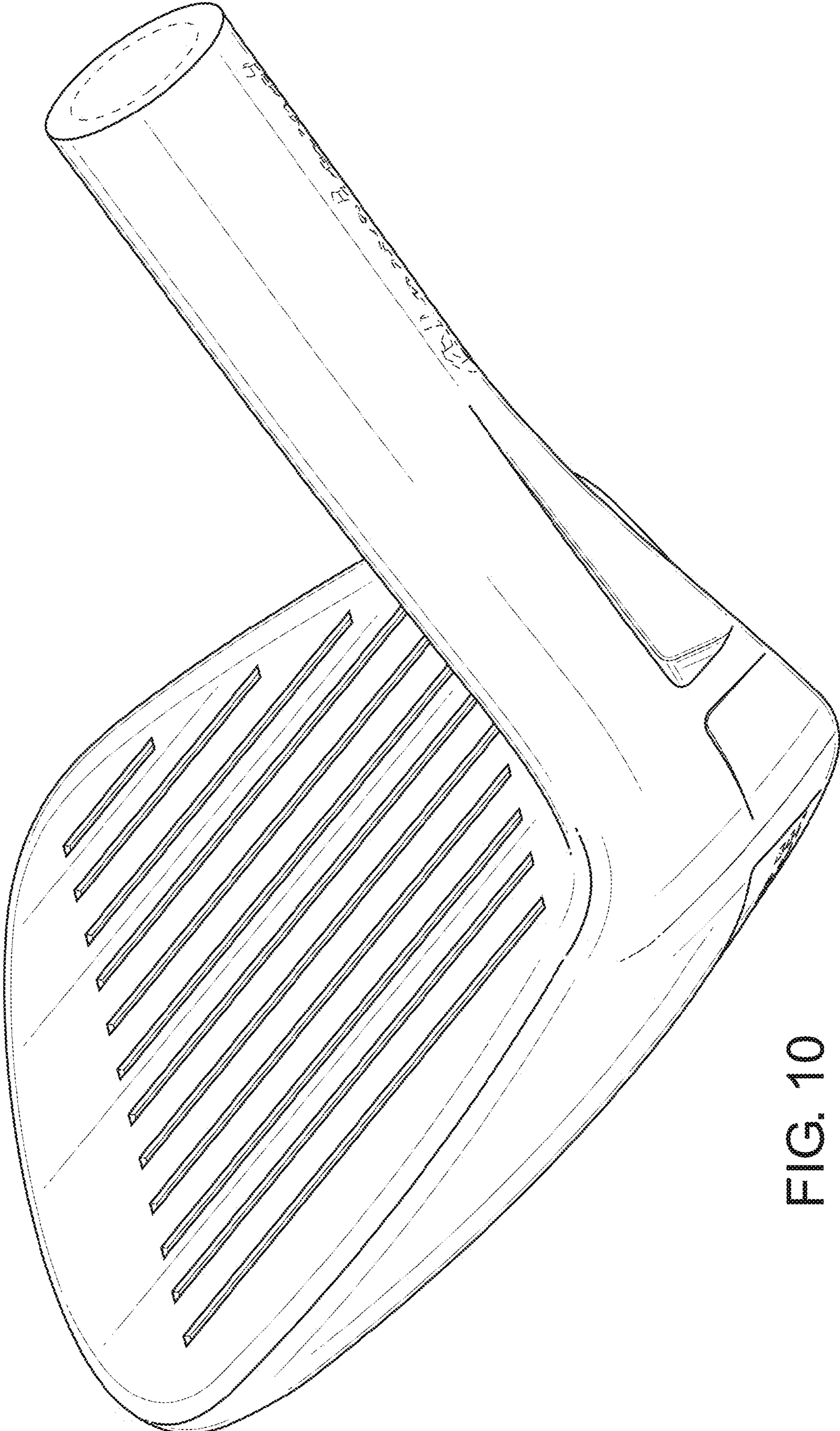


FIG. 10