



US00D921777S

(12) **United States Design Patent**
Triplett

(10) **Patent No.:** **US D921,777 S**
(45) **Date of Patent:** **** Jun. 8, 2021**

(54) **MULTIFUNCTION EXERCISE APPARATUS**

(71) Applicant: **Mwalimu Triplett**, Toledo, OH (US)

(72) Inventor: **Mwalimu Triplett**, Toledo, OH (US)

(**) Term: **15 Years**

(21) Appl. No.: **29/695,613**

(22) Filed: **Jun. 20, 2019**

(51) **LOC (13) Cl.** **21-02**

(52) **U.S. Cl.**
USPC **D21/686**

(58) **Field of Classification Search**
USPC D8/14; D6/349; D32/42; D25/67;
D21/694, 691, 690, 689, 688, 686, 685,
D21/684, 682, 681, 680, 679, 662;
D14/209.1; 482/95, 93, 91, 83, 8, 51, 5,
482/49, 45, 44, 41, 40, 38, 36, 34, 25,
482/148, 146, 142, 141, 139, 138, 132,
482/131, 121, 111, 108, 107, 106, 104,
482/100
CPC A63B 23/1236; A63B 21/4035; A63B
21/00047; A63B 23/12; A63B 2210/50;
A63B 21/068; A63B 23/03541; A63B
23/0211; A63B 21/0004; A63B 23/1218;
A63B 23/1227; A63B 21/4049; A63B
2208/0219; A63B 2208/0295; A63B
23/1209; A63B 31/00
See application file for complete search history.

5,230,684 A * 7/1993 Wallisch A63B 23/12
482/141
D339,836 S * 9/1993 Wallisch D21/692
D354,100 S * 1/1995 Tsay D21/686
5,529,550 A * 6/1996 Maycock, Jr. A63B 21/0552
482/132
5,766,119 A * 6/1998 Clark A63B 22/14
482/146
6,196,951 B1 * 3/2001 Shepherd A63B 21/072
482/106

(Continued)

OTHER PUBLICATIONS

Rogue Monster Grip by Rogue dated Oct. 28, 2013. Found online [Oct. 28, 2020] https://www.roguefitness.com/rogue-monster-grip-triangle?prod_id=3257 (Year: 2013).*

(Continued)

Primary Examiner — Ryan Harvey

(57) **CLAIM**

The ornamental design for a multifunction exercise apparatus, as shown and described.

DESCRIPTION

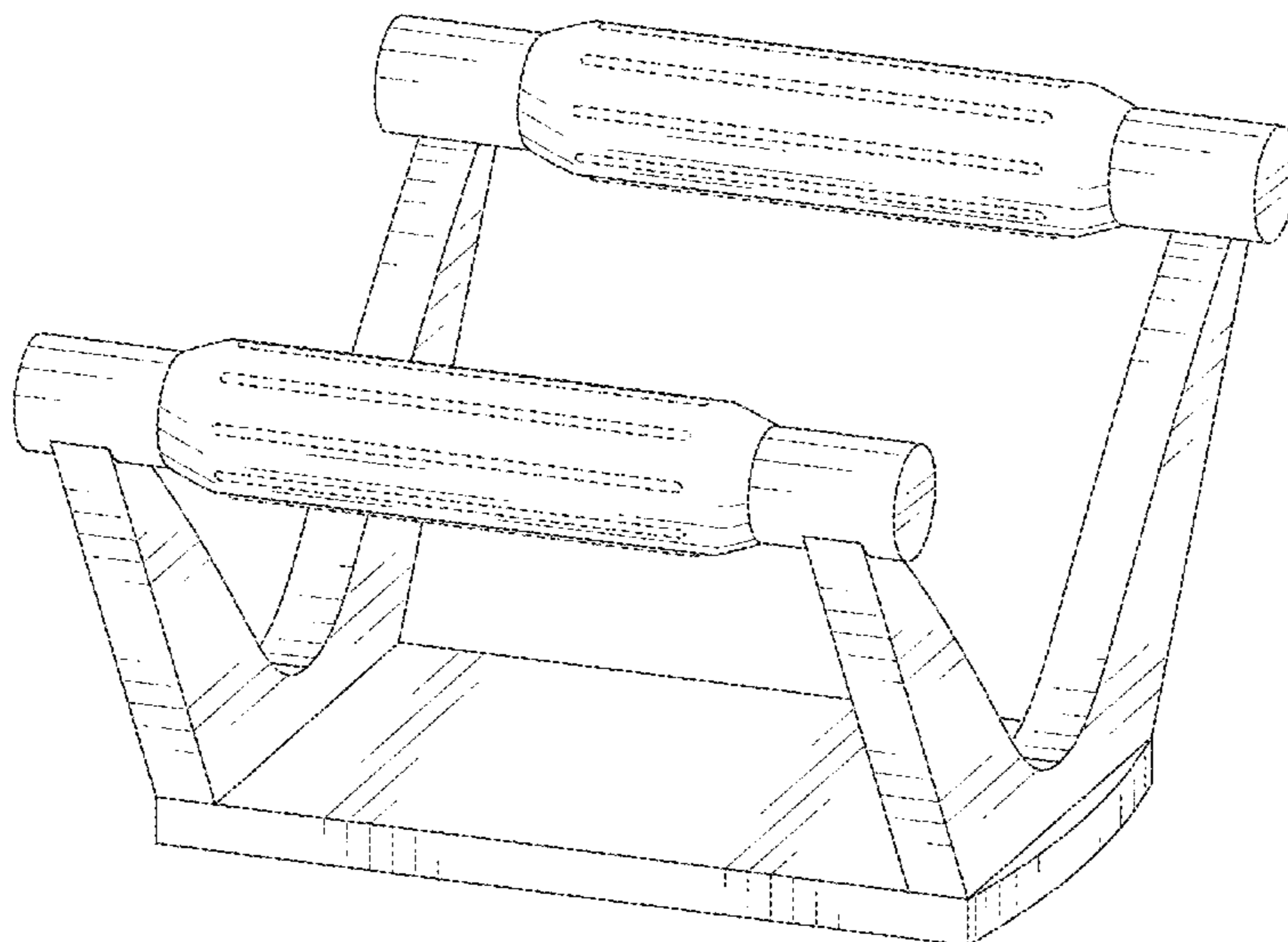
FIG. 1 is a front-top-left perspective view of a multifunction exercise apparatus showing my new design;
FIG. 2 is a front-top-right perspective view thereof;
FIG. 3 is a front-bottom-left perspective view thereof;
FIG. 4 is a front elevational view thereof, the rear elevational view being a mirror image thereof;
FIG. 5 is a top plan view thereof;
FIG. 6 is a bottom view thereof; and,
FIG. 7 is a right elevational view thereof, the left elevational view being a mirror image thereof.
The broken lines showing of anti-slippery ridges in FIGS. 1-7 are included for the purpose of showing environmental structure and form no part of the claimed design.

1 Claim, 7 Drawing Sheets

(56) **References Cited**

U.S. PATENT DOCUMENTS

D271,407 S * 11/1983 Wright D21/682
4,854,573 A * 8/1989 Johannson A63B 23/12
482/141
D315,003 S * 2/1991 Huang D21/682
5,181,897 A * 1/1993 Agan A63B 23/12
482/141
5,222,925 A * 6/1993 Maycock A63B 23/14
482/132



(56)

References Cited

U.S. PATENT DOCUMENTS

D744,051	S *	11/2015	Anderson	D21/682
D752,159	S *	3/2016	Anderson	D21/682
D805,140	S *	12/2017	Hodes	D21/681
D843,516	S *	3/2019	Allison	D21/688
10,413,772	B2 *	9/2019	Zachariadis	A63B 21/0605
D865,880	S *	11/2019	Laurence	D21/681
D866,685	S *	11/2019	Laurence	D21/681
D878,496	S *	3/2020	Hoppe	D21/680
D885,499	S *	5/2020	Sutton	D21/680
D891,539	S *	7/2020	Sun	D21/681
10,780,317	B1 *	9/2020	Sawhney	A63B 21/00047
2013/0324382	A1 *	12/2013	Wilson	A63B 23/0211
					482/142
2014/0066274	A1 *	3/2014	Kassel	A63B 21/4035
					482/141
2014/0274598	A1 *	9/2014	Anderson	A63B 21/06
					482/108
2015/0209641	A1 *	7/2015	Yevgeniyovych	A63B 69/20
					482/83
2015/0335935	A1 *	11/2015	Peralo	A63B 22/20
					482/93

OTHER PUBLICATIONS

Rogue Parallel Landmine by Rogue dated Oct. 28, 2015. Found online [Oct. 28, 2020] https://www.roguefitness.com/rogue-parallel-landmine-handle?prod_id=31263&gclid=EAlalQobChMluKae0_bX7AIVjpOzCh1EjQNJEAQYAyABEgJAHvD_BwE (Year: 2015).*

* cited by examiner

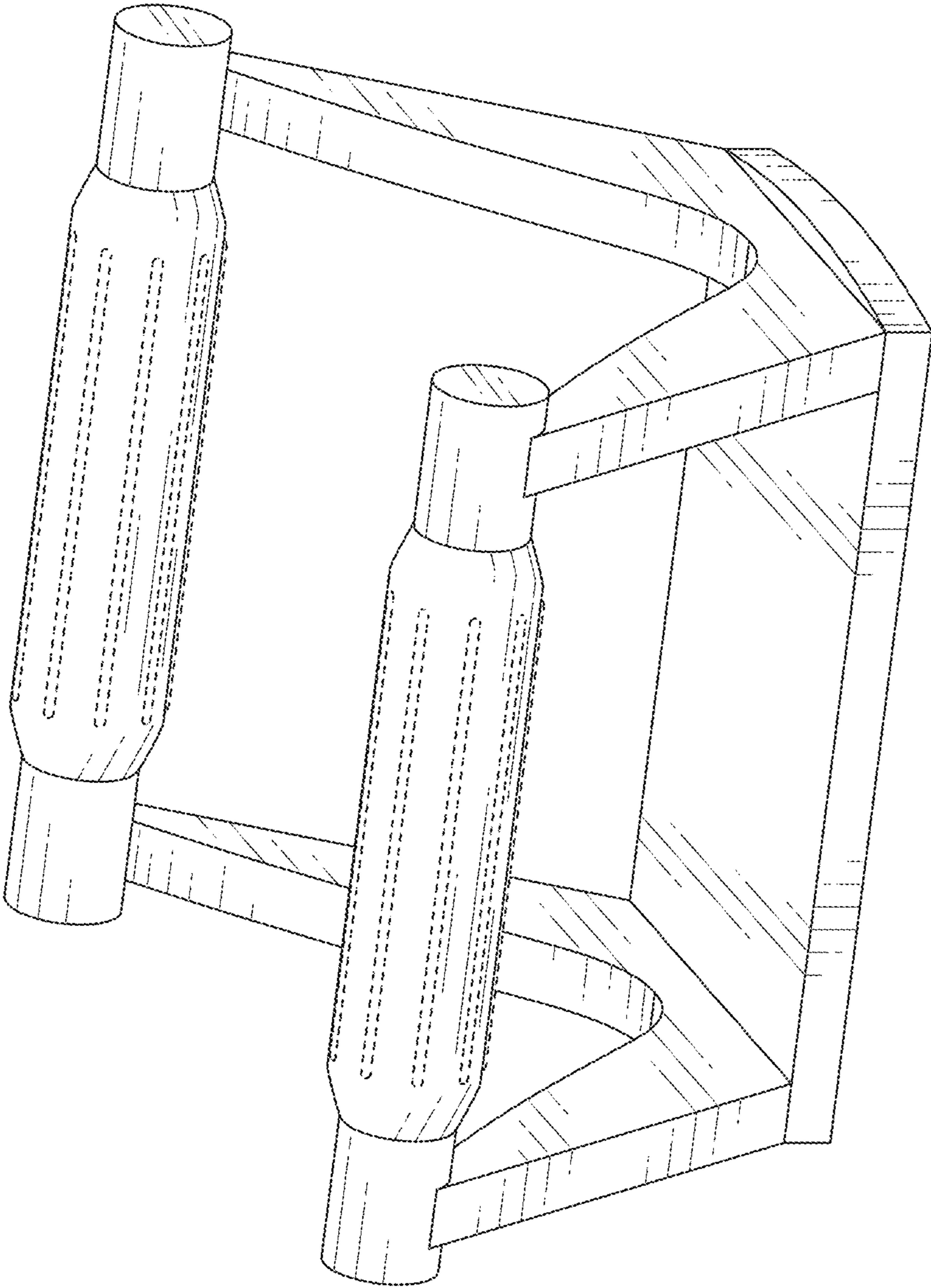


FIG. 1

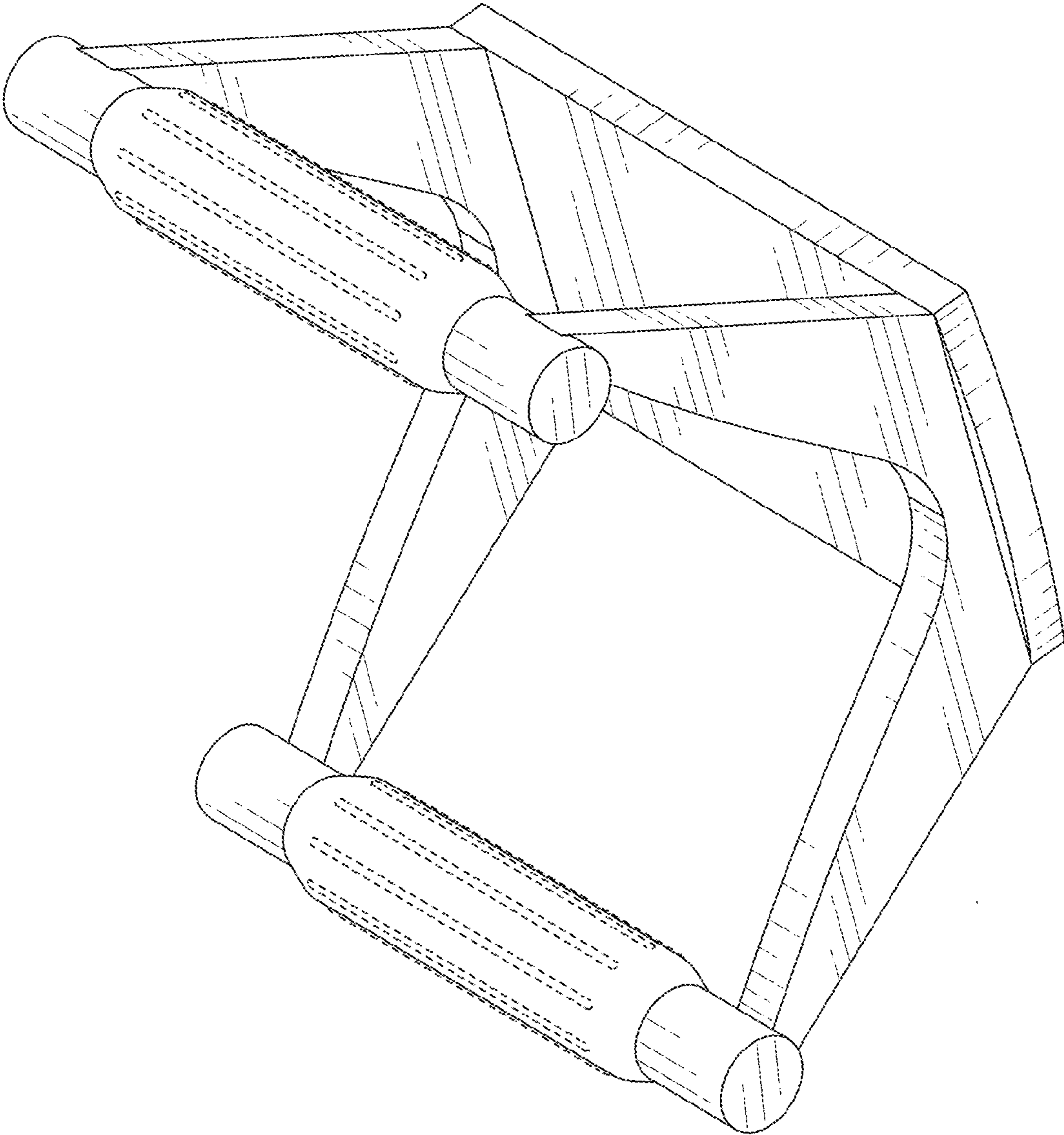


FIG. 2

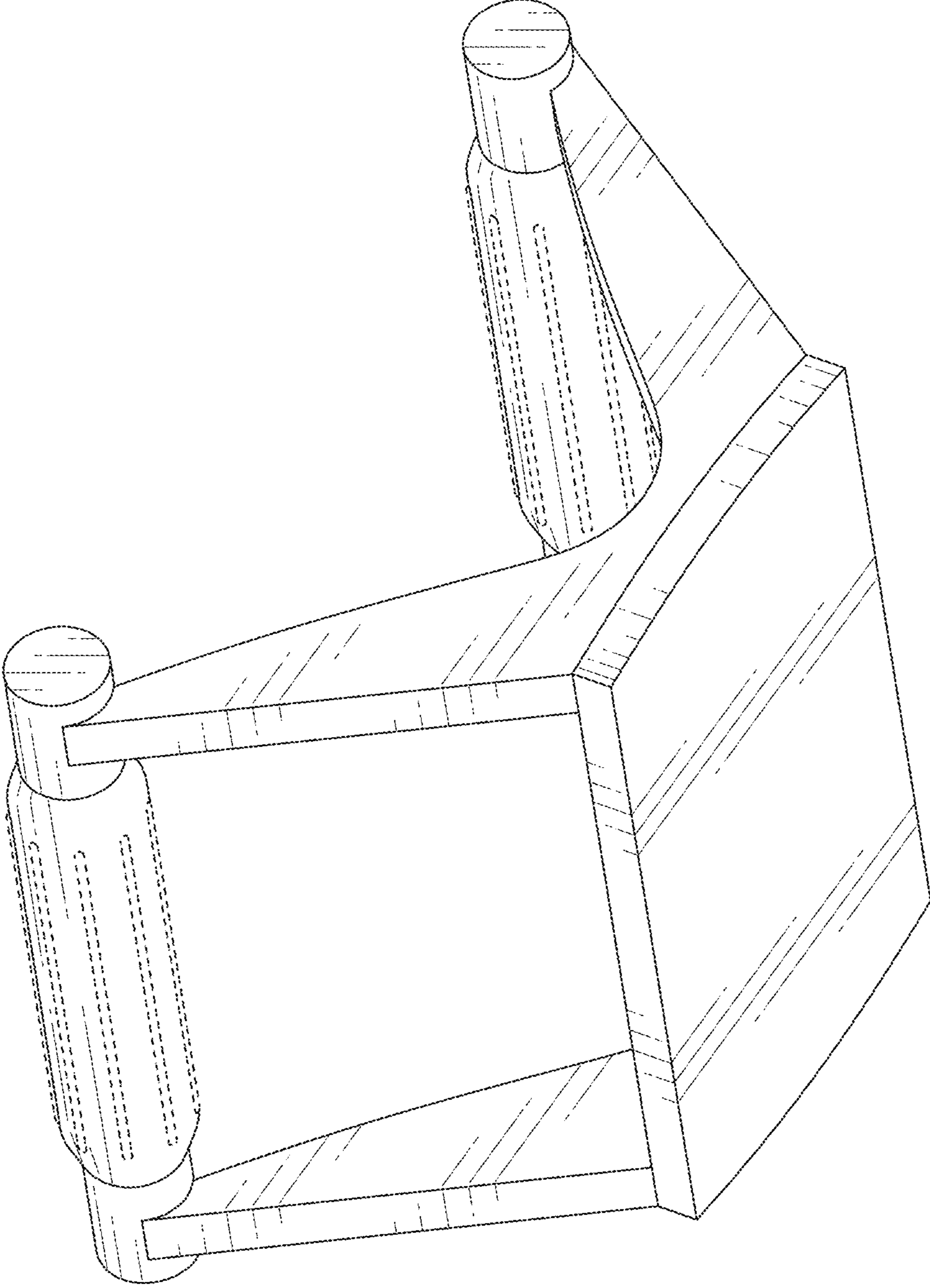


FIG. 3

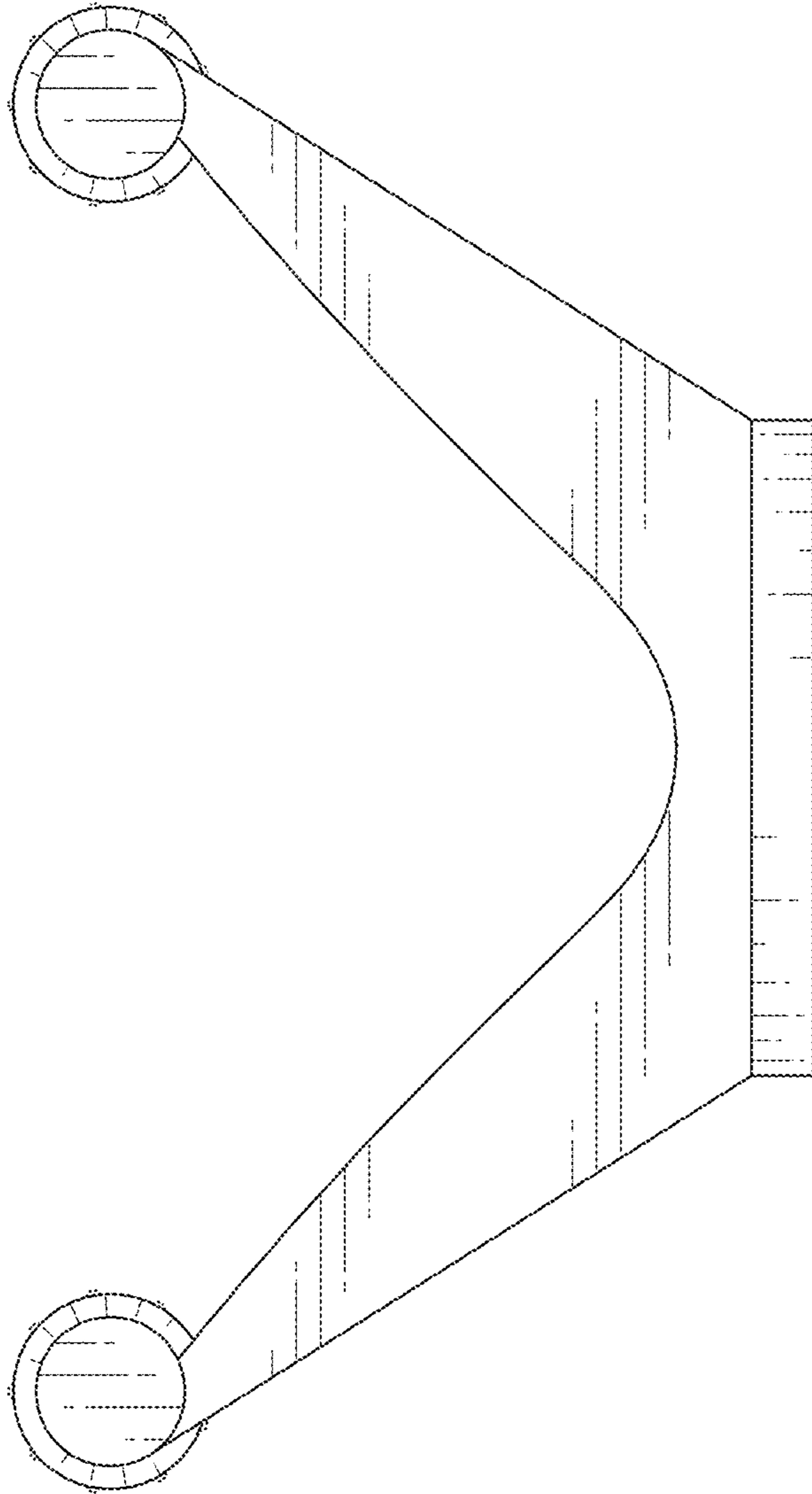


FIG. 4

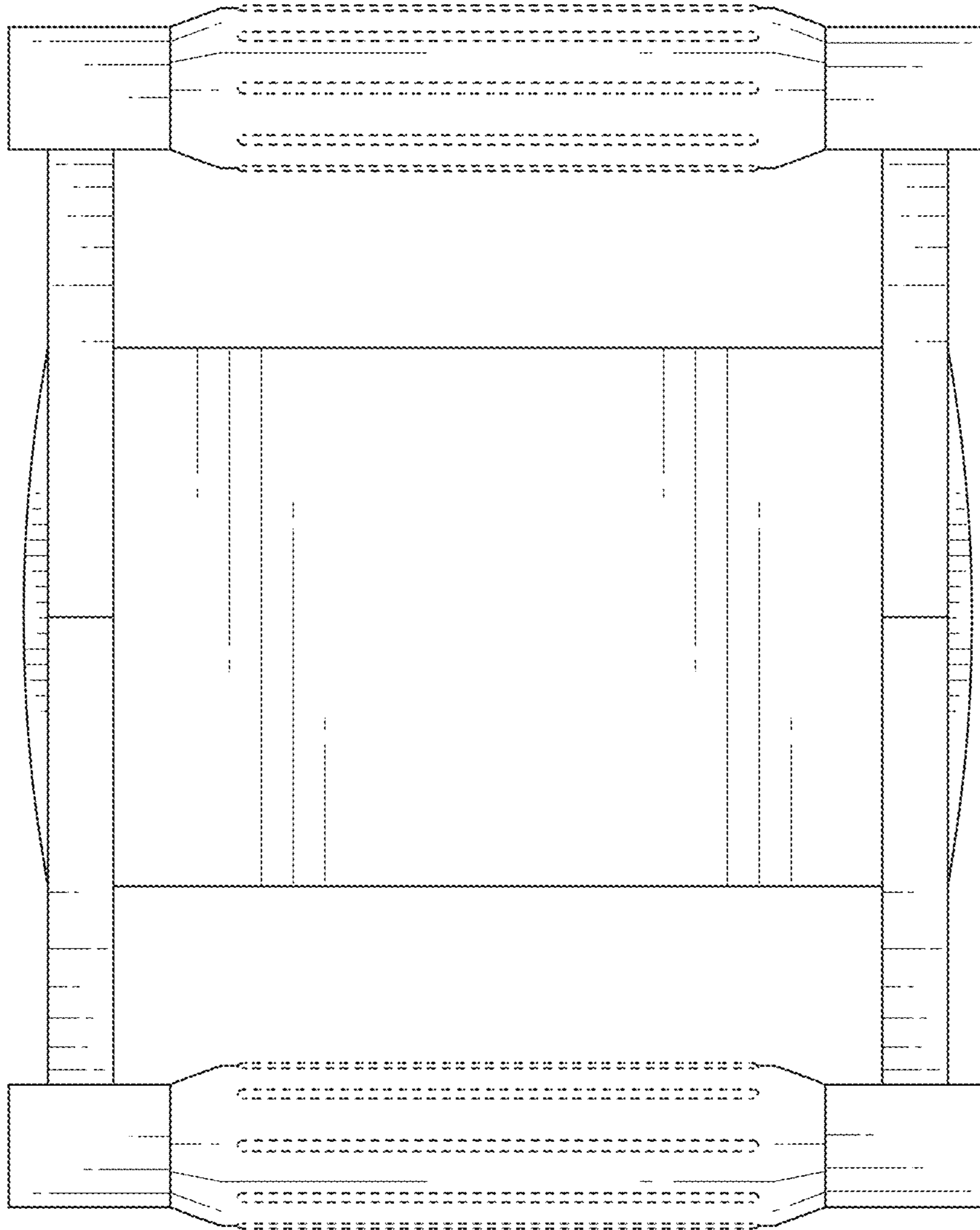


FIG. 5

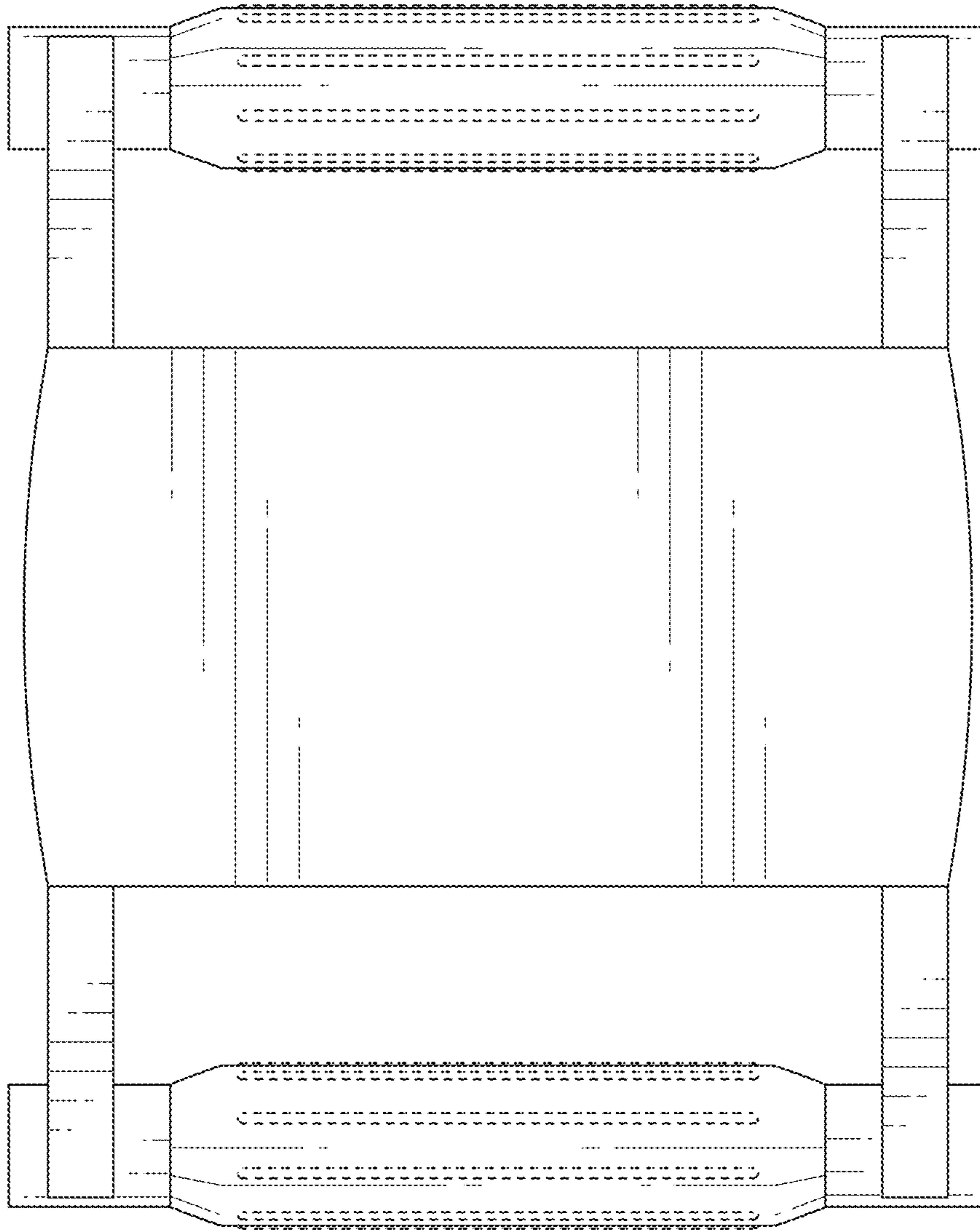


FIG. 6

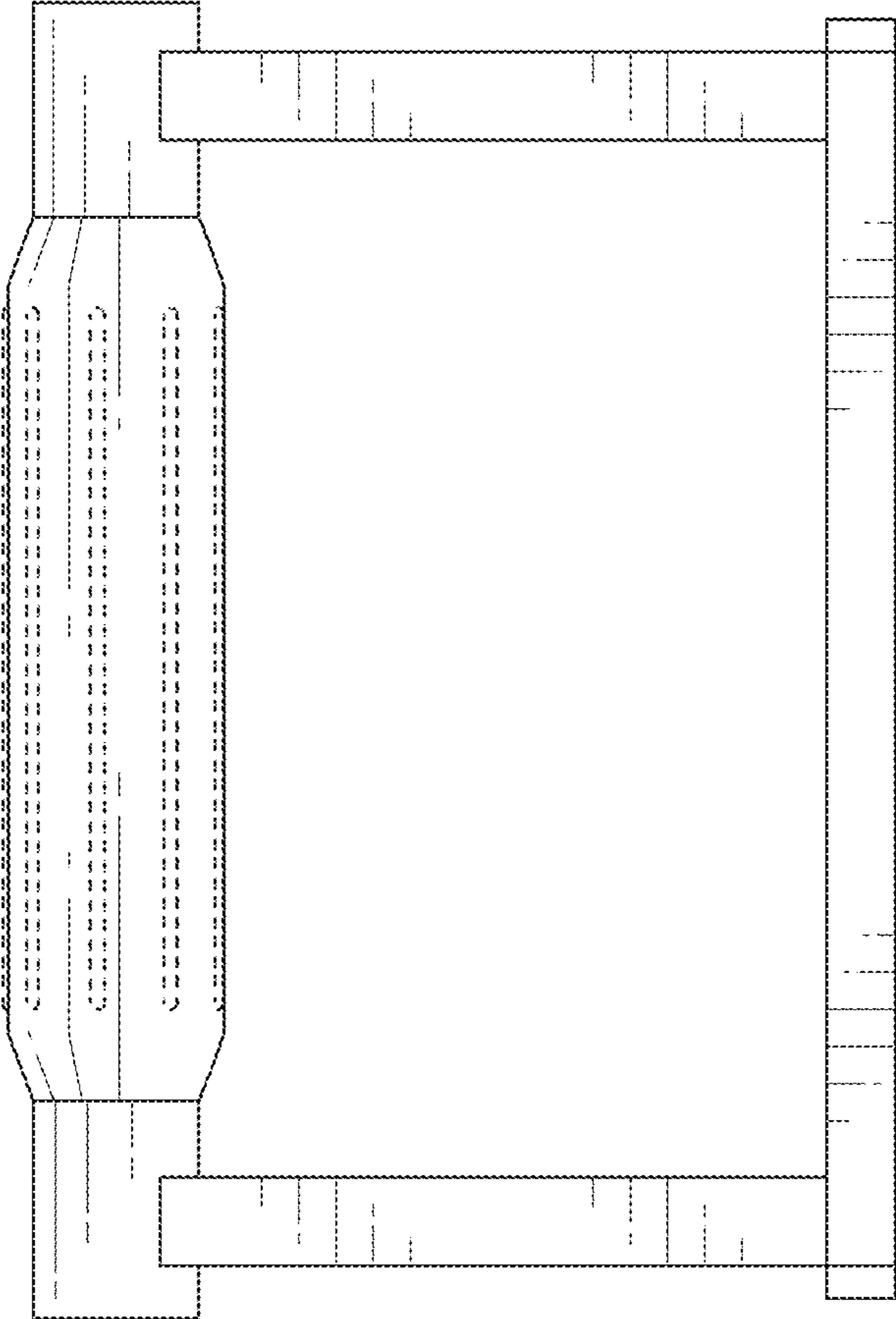


FIG. 7