



US00D921775S

(12) **United States Design Patent**
Wu

(10) **Patent No.:** **US D921,775 S**
(45) **Date of Patent:** **** Jun. 8, 2021**

- (54) **ROWING MACHINE**
- (71) Applicant: **Zhejiang Arcana Power Sports Tech. CO., LTD.**, Zhejiang (CN)
- (72) Inventor: **Yinchang Wu**, Zhejiang (CN)
- (73) Assignee: **Zhejiang Arcana Power Sports Tech. CO., LTD.**, Zhejiang (CN)
- (**) Term: **15 Years**
- (21) Appl. No.: **29/720,998**
- (22) Filed: **Jan. 17, 2020**
- (51) **LOC (13) Cl.** **21-02**
- (52) **U.S. Cl.**
USPC **D21/674**
- (58) **Field of Classification Search**
USPC D21/674, 662, 687, 694, 695, 801, 673
See application file for complete search history.

- 2019/0031302 A1* 1/2019 Nutz B63B 34/20
- 2019/0031303 A1* 1/2019 Robertson B63B 34/20
- 2019/0106190 A1* 4/2019 Schibli B63J 99/00
- 2019/0192899 A1* 6/2019 Dubin A63B 22/0046
- 2020/0172209 A1* 6/2020 Eva B63B 34/20
- 2020/0376328 A1* 12/2020 Smith A63B 21/00076

OTHER PUBLICATIONS

Stamina X Water Rower, announced 2018 [online], [site visited Dec. 10, 2020], Available from internet, URL: https://www.amazon.com/Stamina-Water-Rower-Black-Red/dp/B07L779646/ref=sr_1_115?dchild=1&keywords=water+rower&qid=1607618626&sr=8-115 (Year: 2018).*

* cited by examiner

Primary Examiner — Khawaja Anwar
Assistant Examiner — Julice Seung Eun Oum
(74) *Attorney, Agent, or Firm* — JCIP Global Inc.

(57) **CLAIM**

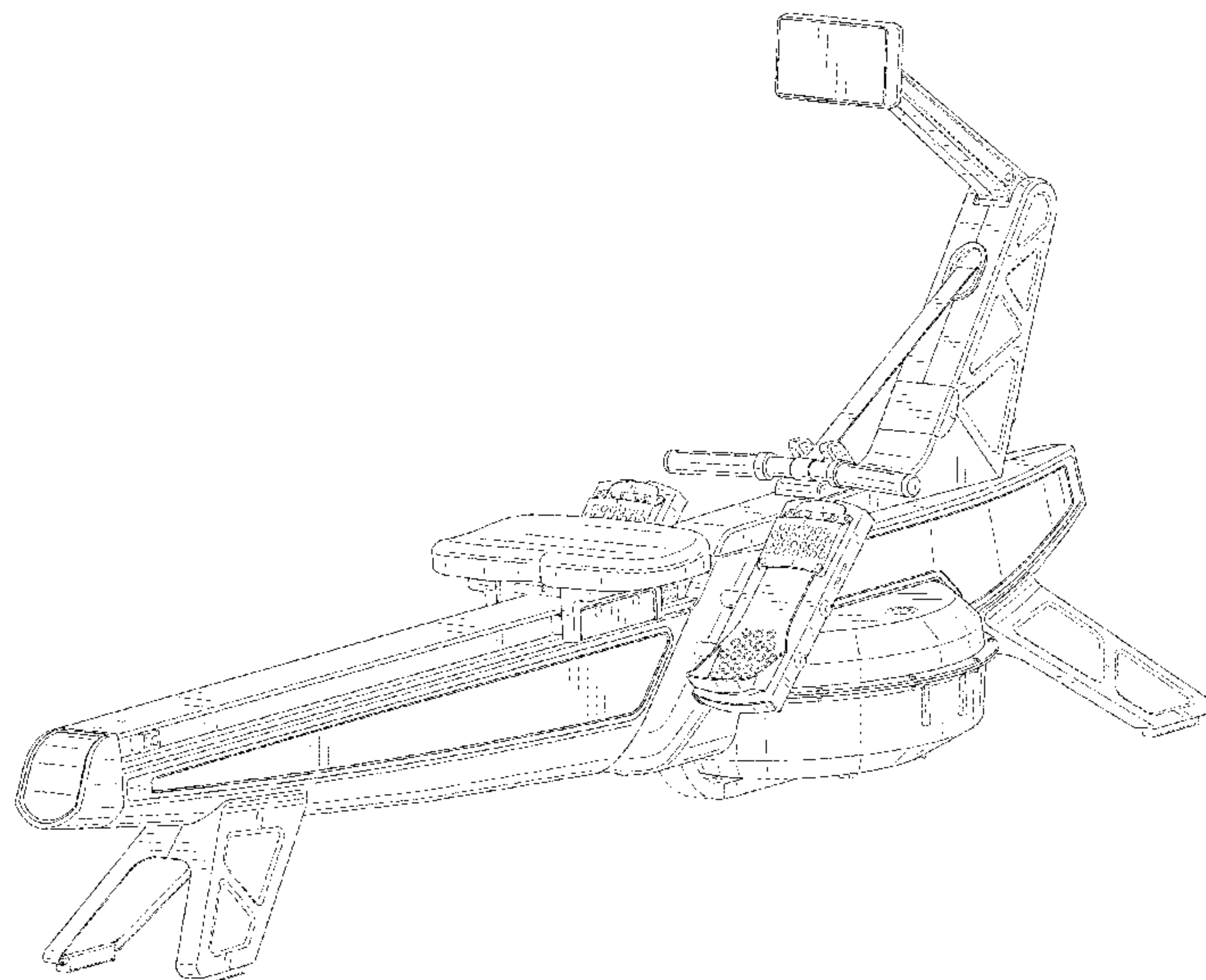
The ornamental design for a rowing machine, as shown and described.

DESCRIPTION

FIG. 1 is a perspective view of a rowing machine showing my new design;
FIG. 2 is a front view thereof;
FIG. 3 is a rear view thereof;
FIG. 4 is a left side view thereof;
FIG. 5 is a right side view thereof;
FIG. 6 is a top view thereof; and,
FIG. 7 is bottom view thereof.
The dot-dash broken line defines the boundary of the claimed design, which extends to the boundary but does not include the boundary, all other broken lines in the drawings depict portions of the rowing machine that form no part of the claimed design.

1 Claim, 5 Drawing Sheets

- (56) **References Cited**
- U.S. PATENT DOCUMENTS
- 4,194,458 A * 3/1980 Messing B63B 32/56
114/39.14
- D299,021 S * 12/1988 Hand D12/302
- 4,798,378 A * 1/1989 Jones A63B 21/0052
482/72
- 5,127,859 A * 7/1992 Rantilla B63H 16/107
440/104
- 7,644,663 B2 * 1/2010 Illesi F42B 8/16
102/498
- 8,257,123 B1 * 9/2012 Witham B63H 16/06
440/104
- 9,901,768 B1 * 2/2018 Wu A63B 21/4034
- 10,786,703 B1 * 9/2020 Zimmer A63B 23/03575
- D898,843 S * 10/2020 Kwon D21/674
- 2018/0001986 A1 * 1/2018 Nutz B63H 20/007
- 2018/0099178 A1 * 4/2018 Schaefer G16H 20/30
- 2018/0362122 A1 * 12/2018 Duff B63B 32/45
- 2018/0362124 A1 * 12/2018 Norton B63B 32/70
- 2019/0008302 A1 * 1/2019 Publicover A47G 27/0231



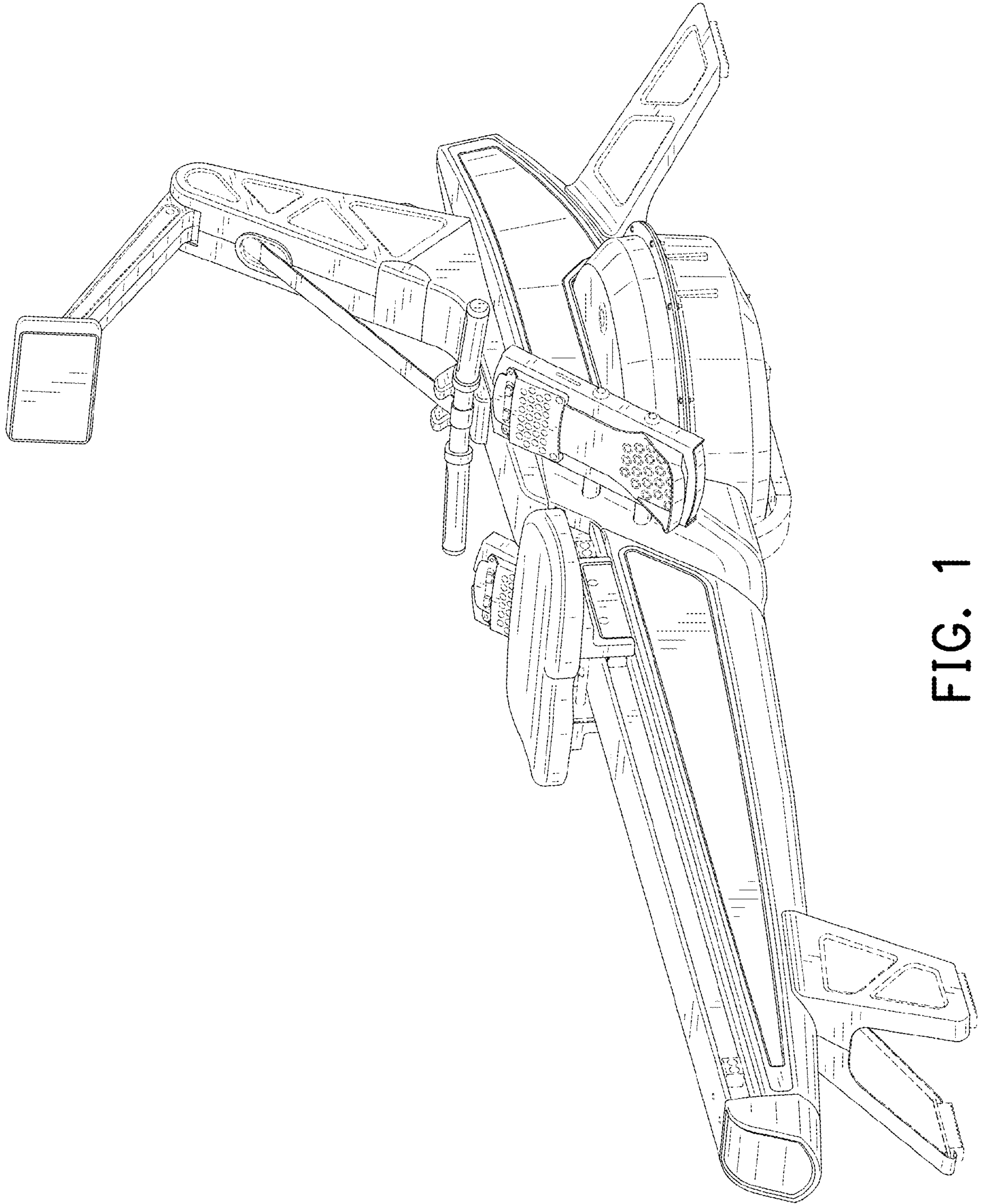


FIG. 1

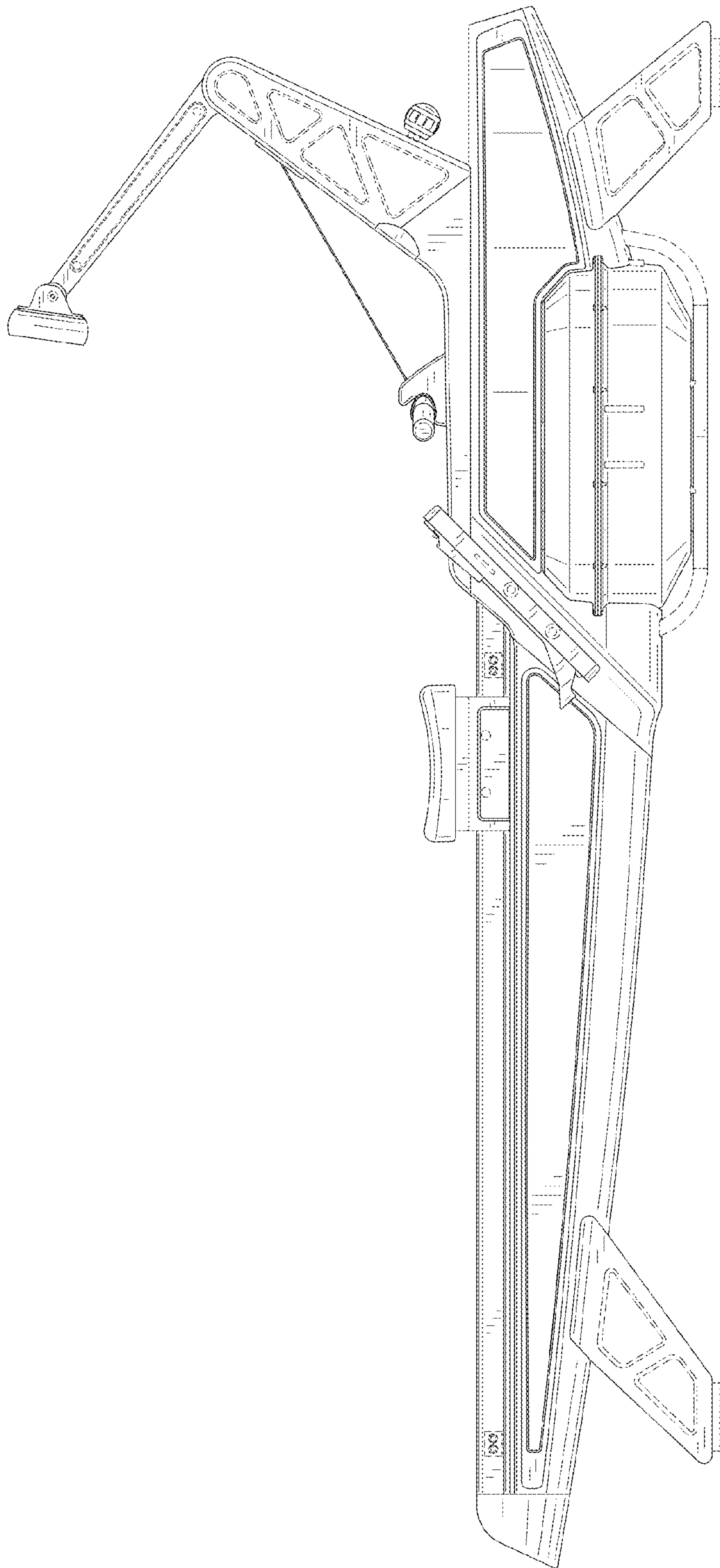


FIG. 2

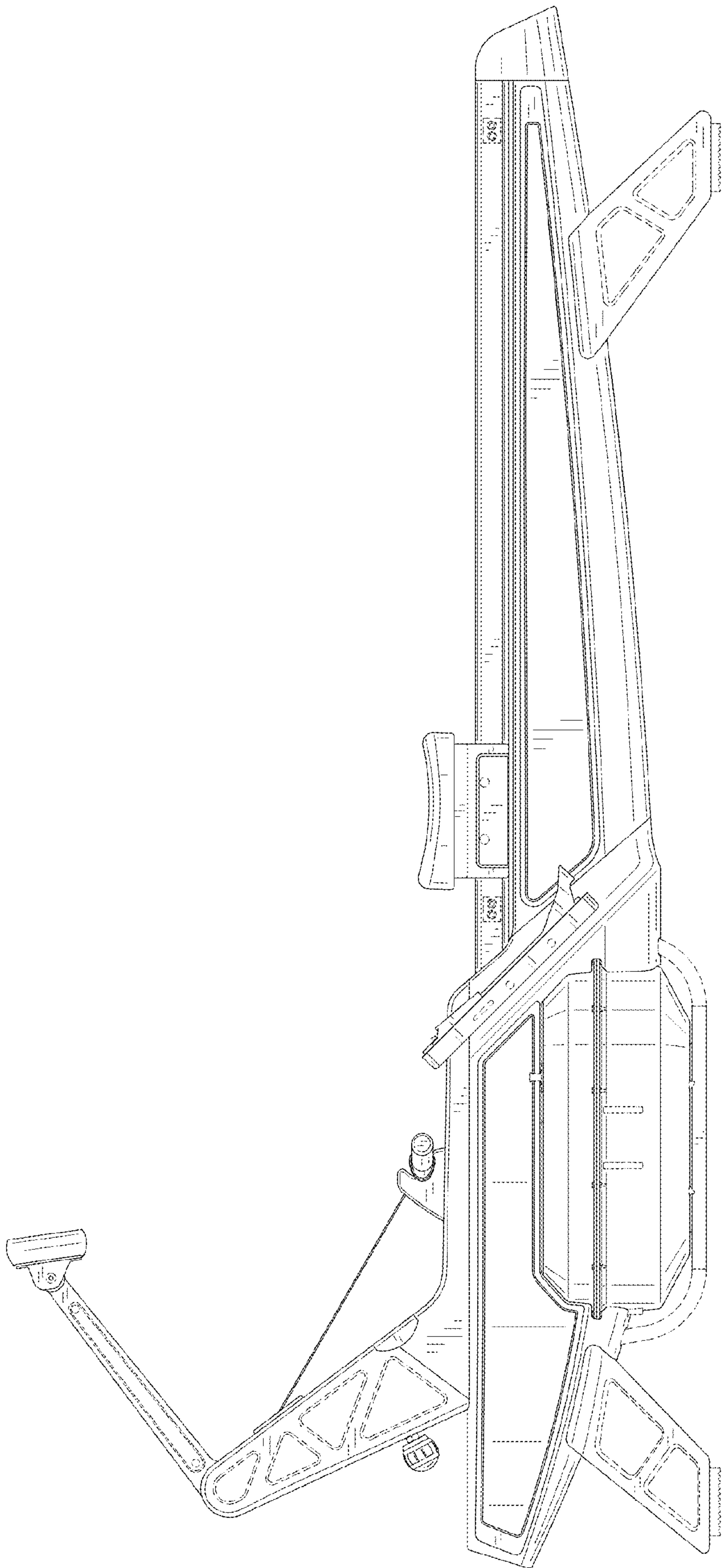


FIG. 3

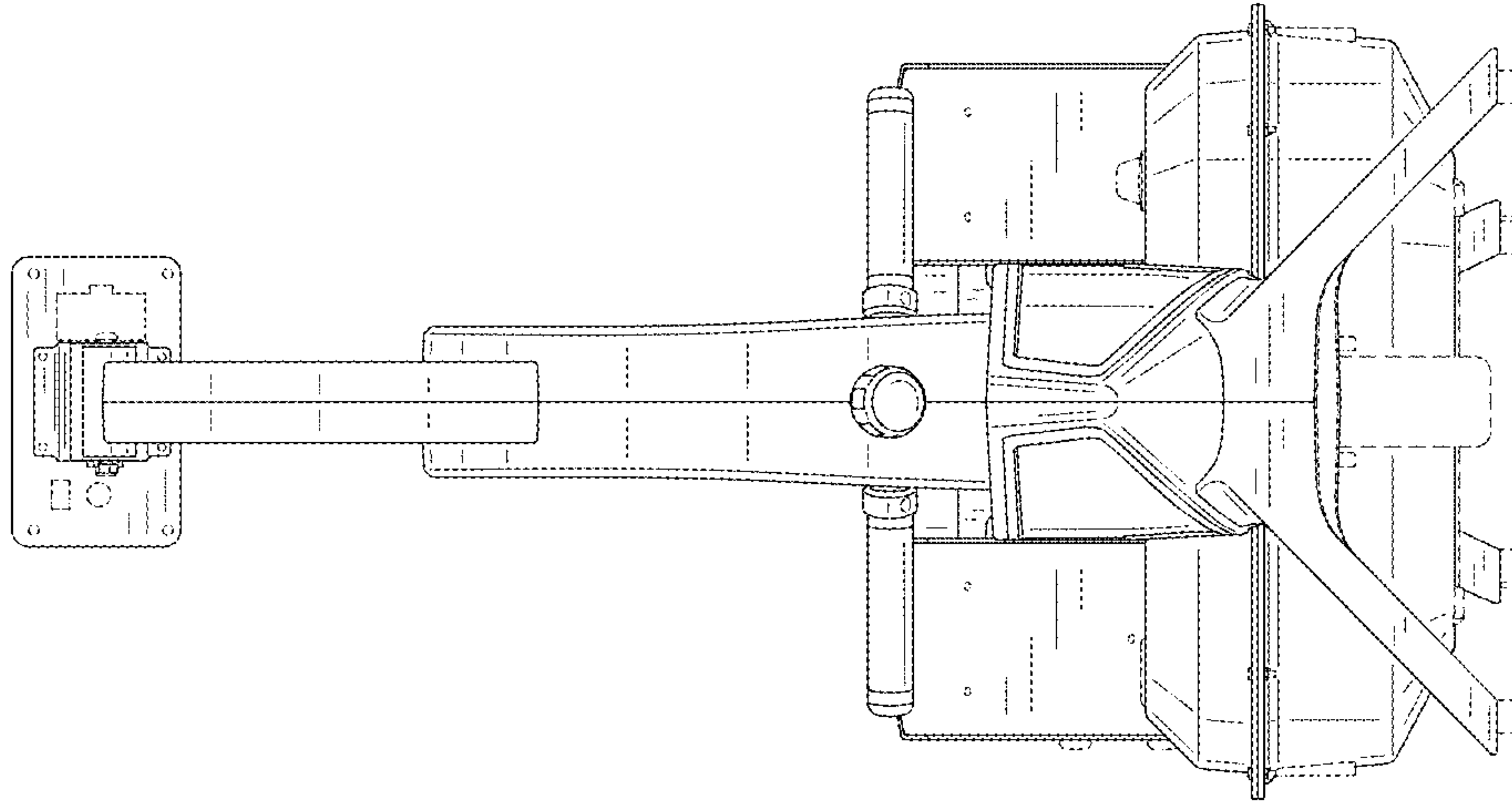


FIG. 5

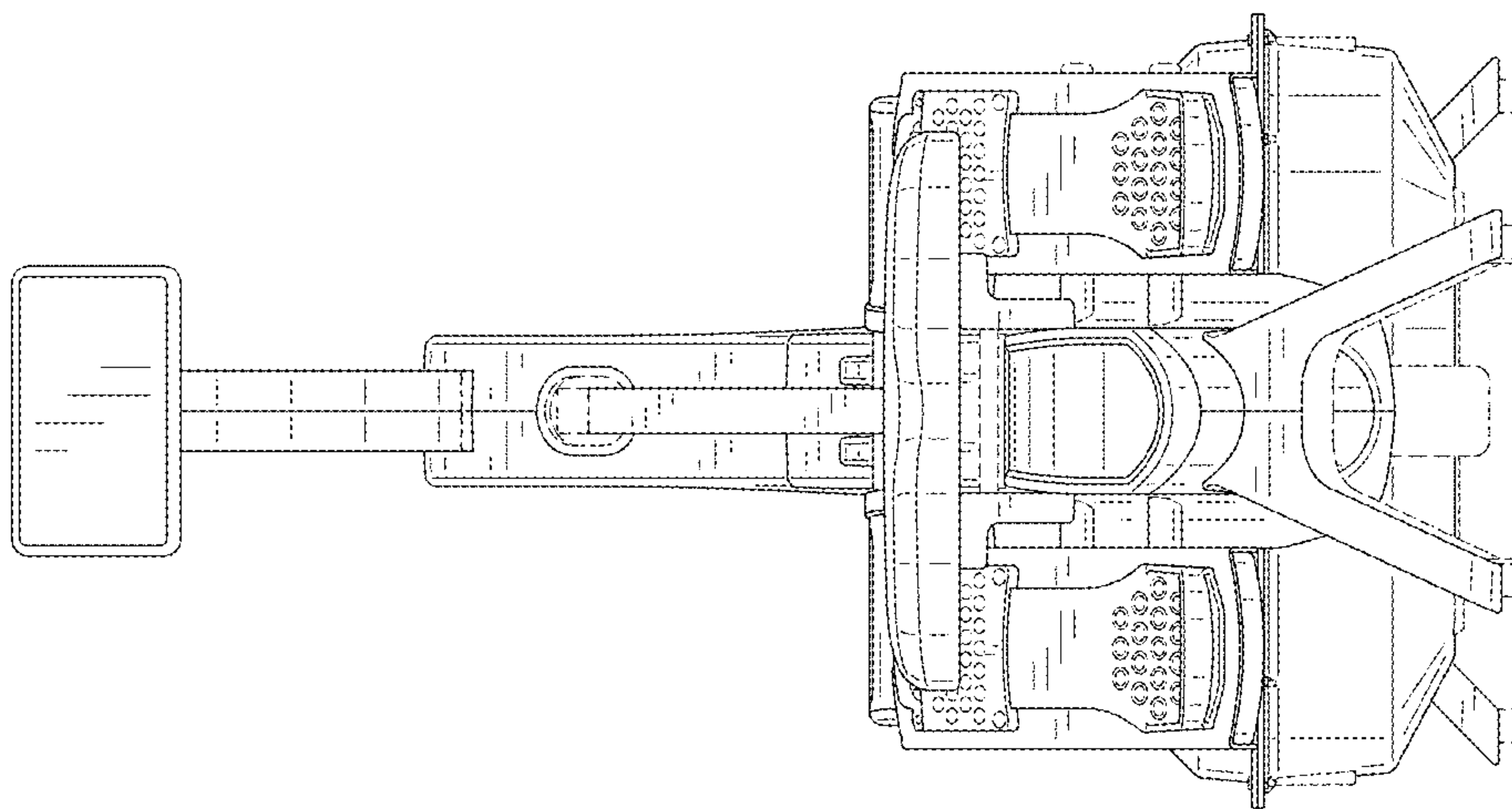


FIG. 4

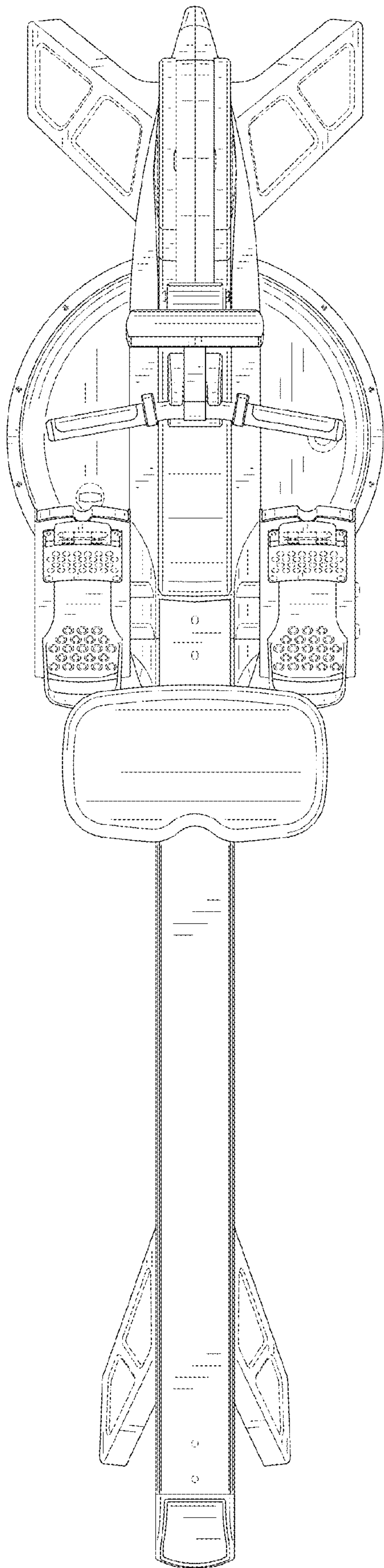


FIG. 6

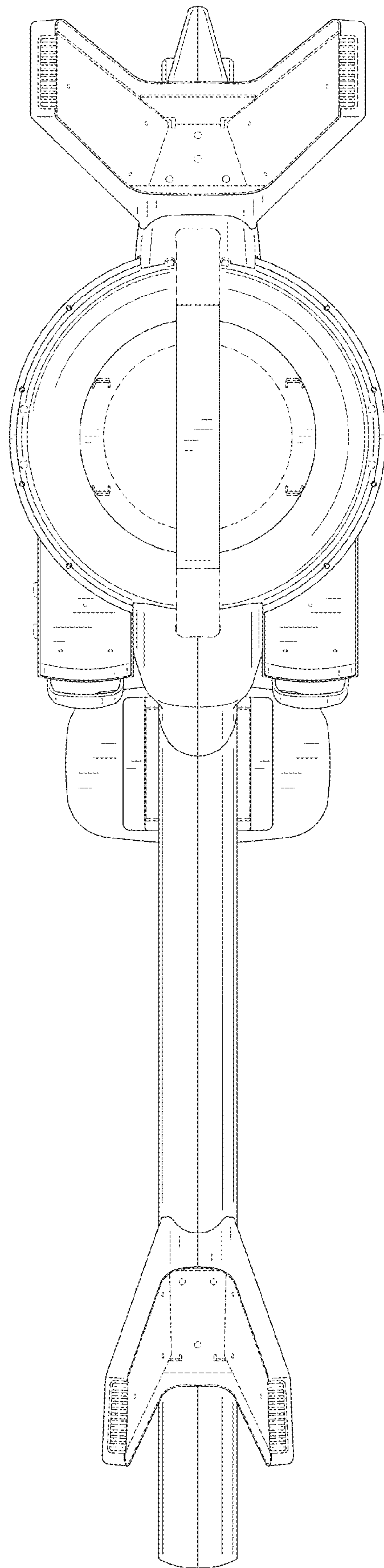


FIG. 7