



US00D921773S

(12) **United States Design Patent** (10) **Patent No.:** **US D921,773 S**  
**Hagler et al.** (45) **Date of Patent:** **\*\* Jun. 8, 2021**

(54) **MODEL VEHICLE ROOF SKID**  
(71) Applicant: **TRAXXAS, LP**, McKinney, TX (US)  
(72) Inventors: **Skylar Hagler**, Anna, TX (US); **Otto Karl Allmendinger**, Rowlett, TX (US); **Jory Sprowl**, Honey Grove, TX (US); **Jaime Felix Barajas**, Dallas, TX (US)

D411,263 S 6/1999 Korsholm  
D434,364 S 11/2000 Bauer et al.  
6,561,397 B1 5/2003 Bauer et al.  
D493,848 S 8/2004 Dunst

(Continued)

(73) Assignee: **TRAXXAS LP**, McKinney, TX (US)

(\*\*) Term: **15 Years**

(21) Appl. No.: **29/708,780**

(22) Filed: **Oct. 9, 2019**

(51) **LOC (13) Cl.** ..... **21-01**

(52) **U.S. Cl.**  
USPC ..... **D21/561**; D12/406

(58) **Field of Classification Search**  
USPC ..... D21/424, 433, 434, 483, 495, 522,  
D21/533-562; D12/86-93, 98, 159,  
D12/163-172, 401, 400, 406; 446/431,  
446/448, 454-456, 465-466, 470-471

CPC ..... B60G 2204/128; B60G 13/003;  
B62D 25/00; B62D 35/00; A63H 17/262;  
A63H 17/00; A63H 17/395; A63H 17/38;  
A63H 17/26; A63H 17/28; A63H 33/042;  
A63H 3/16; A63H 3/50; A63H 30/00;  
A63H 7/04; A63H 17/36; A63H 17/264;  
A63H 17/004; A63H 30/04; B60R 19/02;  
B60R 19/023; B60R 19/18; B60R 19/24;  
B60R 19/44; B60R 19/48; B60R 19/56;  
B60R 2019/527; B60R 2019/1886

See application file for complete search history.

(56) **References Cited**

**U.S. PATENT DOCUMENTS**

3,829,117 A 8/1974 Park  
D332,978 S 2/1993 Tsuchiya  
D348,911 S 7/1994 Herrick et al.

**OTHER PUBLICATIONS**

Traxxas Roof Skid Plate for E-Revo, 8617, Tin-Eye Date Nov. 20, 2019 [Online], [Site Visited Oct. 21, 2020] Available From Internet, URL: <[https://www.rchobbyexplosion.com/Traxxas\\_Roof\\_Skid\\_Plate\\_Next\\_Gen\\_E\\_Revo\\_p/tra8617.htm?gclid=EAlalQobChMI5PisqHG7AIVJYFaBR00gwhOEAYABEgJVWfD\\_BwE](https://www.rchobbyexplosion.com/Traxxas_Roof_Skid_Plate_Next_Gen_E_Revo_p/tra8617.htm?gclid=EAlalQobChMI5PisqHG7AIVJYFaBR00gwhOEAYABEgJVWfD_BwE)> (Year: 2019).\*

(Continued)

*Primary Examiner* — Cynthia M. Chin

(74) *Attorney, Agent, or Firm* — Daryl R. Wright; Greg Carr

(57) **CLAIM**

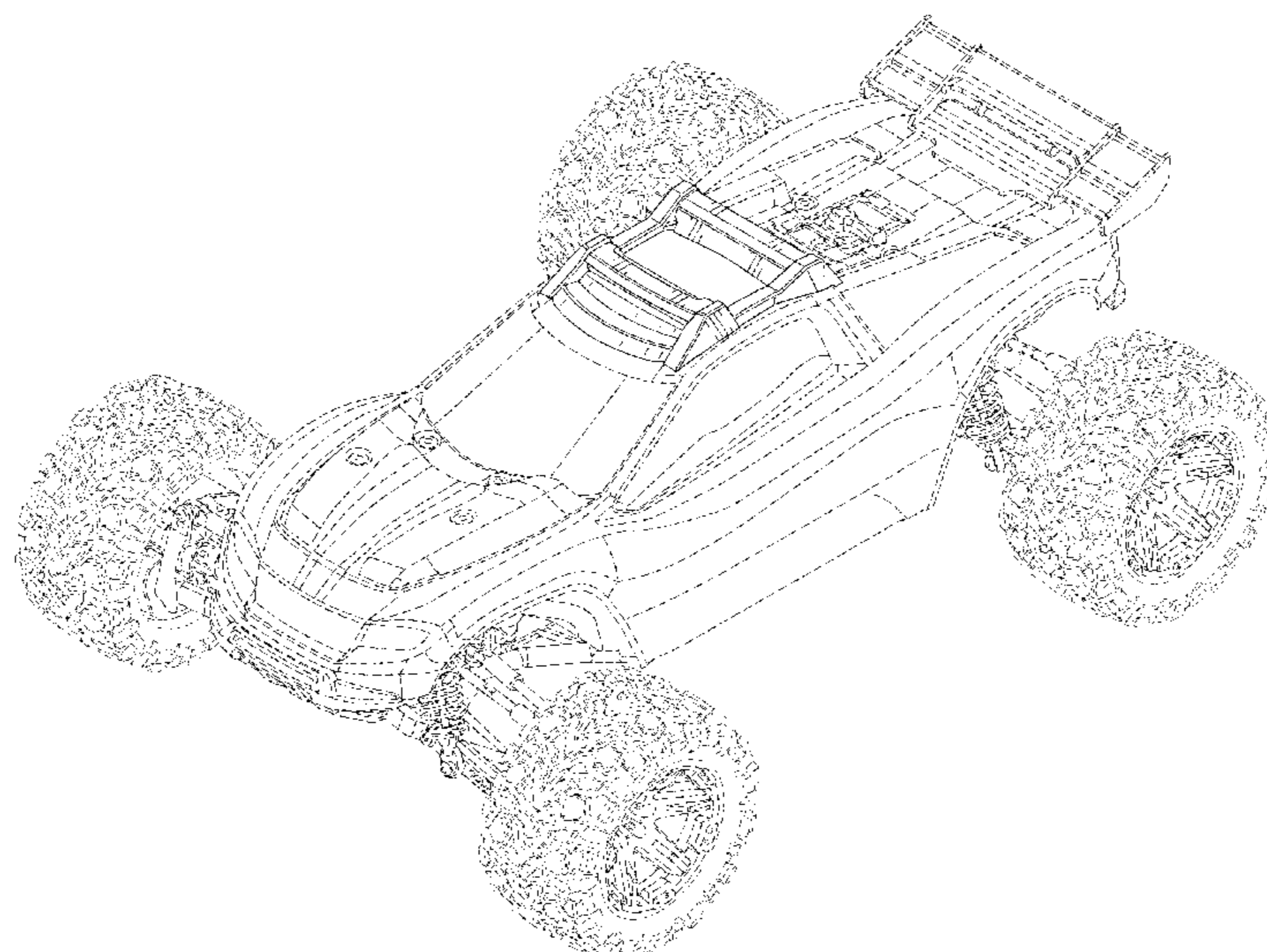
We claim the ornamental design for a model vehicle roof skid, as shown and described.

**DESCRIPTION**

FIG. 1 is an upper, left, front perspective view of a model vehicle roof skid, according to our new design;  
FIG. 2 is front elevation view thereof;  
FIG. 3 is a rear elevation view thereof;  
FIG. 4 is a left side elevation view thereof;  
FIG. 5 is a right side elevation view thereof;  
FIG. 6 is an upper plan view thereof;  
FIG. 7 is a lower plan view thereof;  
FIG. 8 is an upper, right, rear perspective view thereof; and,  
FIG. 9 is an upper, left, front perspective environmental use view of the model vehicle roof skid.

In the drawings, the broken line showing features of the model vehicle roof skid form no part of the claimed design. The broken lines in FIG. 9 depict environmental subject matter that form no part of the claimed design.

**1 Claim, 7 Drawing Sheets**



(56)

References Cited

U.S. PATENT DOCUMENTS

D503,658 S 4/2005 Lu  
 D513,223 S 12/2005 Saito et al.  
 D521,899 S 5/2006 Walden  
 D523,775 S 6/2006 Walden  
 D523,776 S 6/2006 Walden  
 D556,648 S 12/2007 Nelson et al.  
 D564,410 S 3/2008 Lepage  
 D567,886 S 4/2008 Lampert et al.  
 D586,695 S 2/2009 Burns  
 D586,696 S 2/2009 Burns  
 D593,616 S 6/2009 Asai  
 D639,207 S 6/2011 Danisi  
 D642,090 S 7/2011 Karacabey et al.  
 D642,091 S 7/2011 Karacabey et al.  
 D642,960 S 8/2011 Berrier  
 D647,002 S 10/2011 Mullen  
 D651,133 S 12/2011 Liebl  
 D655,236 S 3/2012 Sanschagrín  
 D655,668 S 3/2012 Levorato et al.  
 D678,173 S 3/2013 McIntire  
 D681,542 S 5/2013 Oliver  
 D686,136 S 7/2013 Galley  
 D690,256 S 9/2013 Ewringmann  
 D691,523 S 10/2013 Waugh et al.  
 D728,450 S 5/2015 Yen  
 D730,806 S 6/2015 Lim  
 9,150,159 B1 10/2015 Meszaros et al.  
 D758,281 S 6/2016 Galloway  
 D761,713 S 7/2016 Hensley  
 D764,972 S 8/2016 Gonzalez  
 D766,157 S 9/2016 Reynolds et al.  
 D772,783 S 11/2016 Schleef  
 D776,601 S 1/2017 McDonald, II et al.  
 D777,619 S 1/2017 Barajas et al.  
 D778,784 S 2/2017 Hirooka  
 D781,207 S 3/2017 Johnson  
 D783,502 S 4/2017 Hensley  
 D783,503 S 4/2017 Hensley  
 D783,726 S 4/2017 Williams et al.  
 D793,328 S 8/2017 Bridges  
 D803,141 S 11/2017 Peat  
 D810,148 S 2/2018 Loew et al.  
 D815,581 S 4/2018 Anderson et al.  
 D816,009 S 4/2018 Reynolds et al.  
 D816,011 S 4/2018 Garcia  
 D820,736 S 6/2018 Vaarsi  
 D822,126 S 7/2018 Allmendinger et al.  
 D826,831 S 8/2018 Eck et al.  
 D827,054 S 8/2018 Ewing et al.  
 D828,796 S 9/2018 Allmendinger et al.

D829,831 S 10/2018 Redlin et al.  
 D833,366 S 11/2018 Dowdey  
 D836,501 S 12/2018 Mori  
 D837,307 S 1/2019 Jin  
 D839,363 S 1/2019 Ewing et al.  
 D847,724 S \* 5/2019 Sprowl ..... D12/401  
 D856,262 S 8/2019 Marankie  
 D856,432 S 8/2019 Ewing et al.  
 D862,610 S \* 10/2019 Barajas ..... D21/548  
 D864,310 S \* 10/2019 Jens Christensen ..... D21/562  
 D864,840 S 10/2019 Wood  
 D865,079 S 10/2019 Ewing  
 D866,448 S 11/2019 Ash  
 D867,474 S 11/2019 Ewing et al.  
 D867,475 S 11/2019 Ewing et al.  
 D867,476 S 11/2019 Wood et al.  
 D870,615 S 12/2019 Wood  
 D876,555 S 2/2020 Barajas et al.  
 D885,302 S \* 5/2020 Sprowl ..... D12/401  
 D891,356 S \* 7/2020 Sprowl ..... D12/401  
 D897,930 S \* 10/2020 MacIndoe ..... D12/401  
 2006/0151554 A1 \* 7/2006 Bulski ..... B60R 9/055  
 2012/0125961 A1 \* 5/2012 Gobart ..... B60R 9/045  
 2014/0067215 A1 3/2014 Wetterlund et al.  
 2017/0120836 A1 \* 5/2017 Calvin ..... B60J 7/106  
 2019/0375337 A1 12/2019 Gauci

OTHER PUBLICATIONS

Pre-Cut Brute Clear Body, Earliest Available Date Oct. 21, 2020 [Online], [Site Visited Oct. 21, 2020] Available From Internet, URL: <<https://www.prolineracing.com/bodies/pre-cut-brute-clear-body-e-revo2.asp>> (Year: 2020).  
 Traxxas 8917 Skid Plate, Roof (Body) (Black)/ 3x10mm Cs (4), Earliest Available Date Sep. 8, 2020 [Online], [Site Visited Oct. 21, 2020] Available From Internet, URL in PDF (Year: 2020).  
 E-Revo Data, Traxxas.com, [online], [site visited Jun. 3, 2020]. <URL: <https://traxxas.com/products/landing/e-revo/>> (Year: 2020).  
 Maxx Data, Traxxas.com, [online], [site visited Jun. 3, 2020]. <URL: <https://traxxas.com/products/landing/maxx/>> (Year: 2020).  
 Rustler 4x4 VXL Data, Traxxas.com, [online], [site visited Jun. 3, 2020]. <URL: <https://traxxas.com/products/landing/rustler-4x4-vxl/>> (Year: 2020).  
 Polaris Molded UTV Roof 1/Cargo Tray (16-20 Ranger 1000 & 1000XP / 13-20 Ranger 900XP), RoughCountry.com, [online], [site visited Jun. 3, 2020]. <URL: <https://www.roughcountry.com/polaris-ranger-molded-utv-roof-79313202.html>> (Year: 2020).

\* cited by examiner

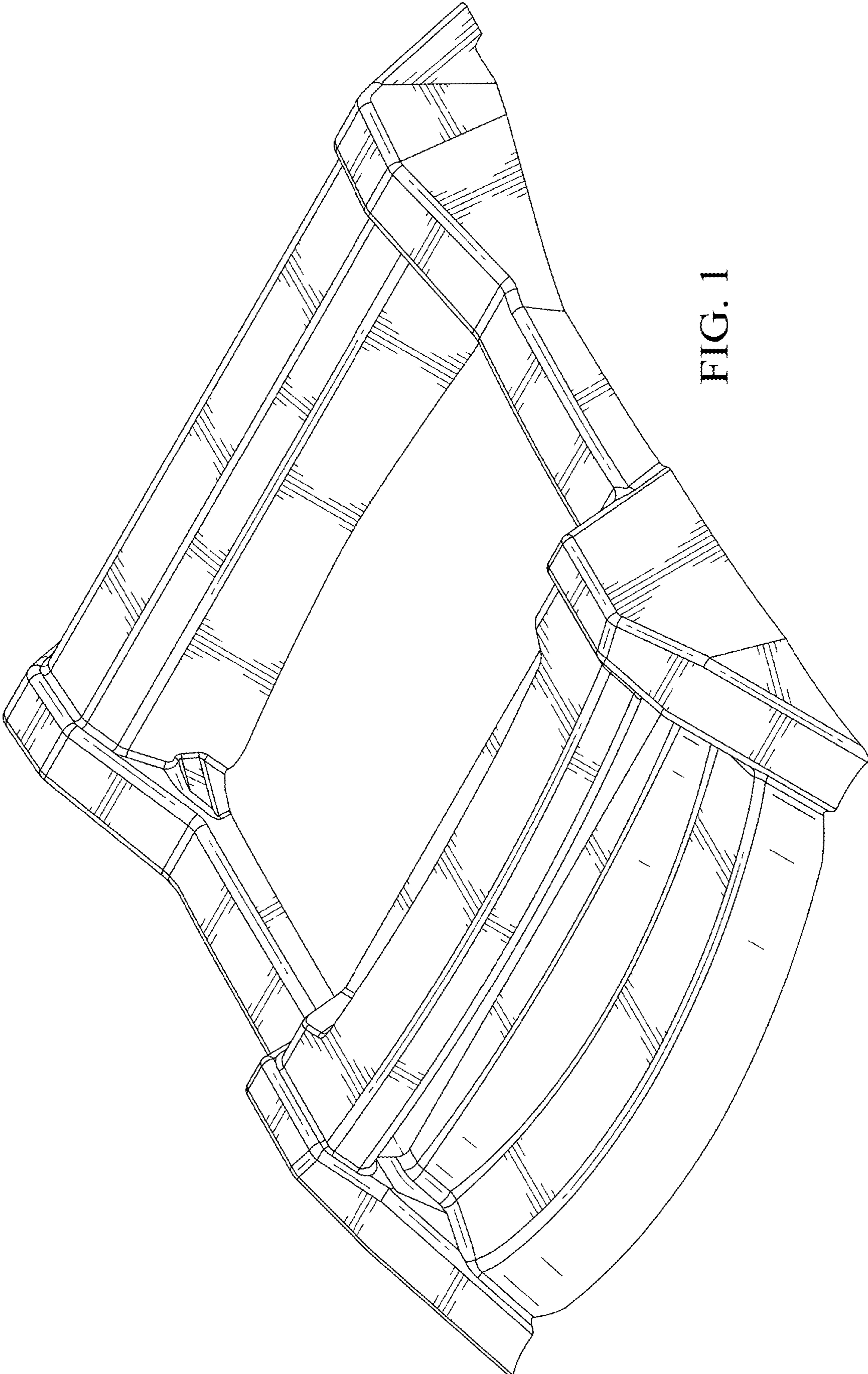


FIG. 1

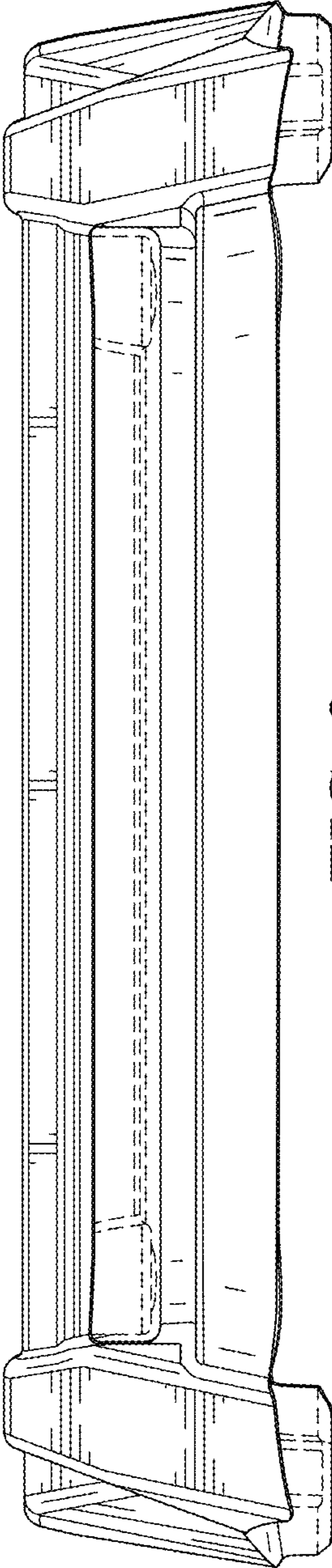


FIG. 2

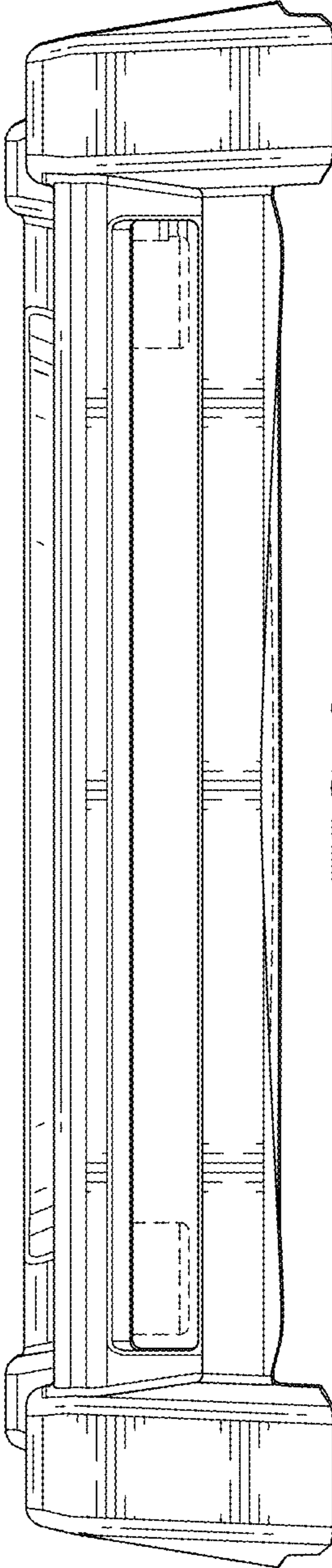


FIG. 3

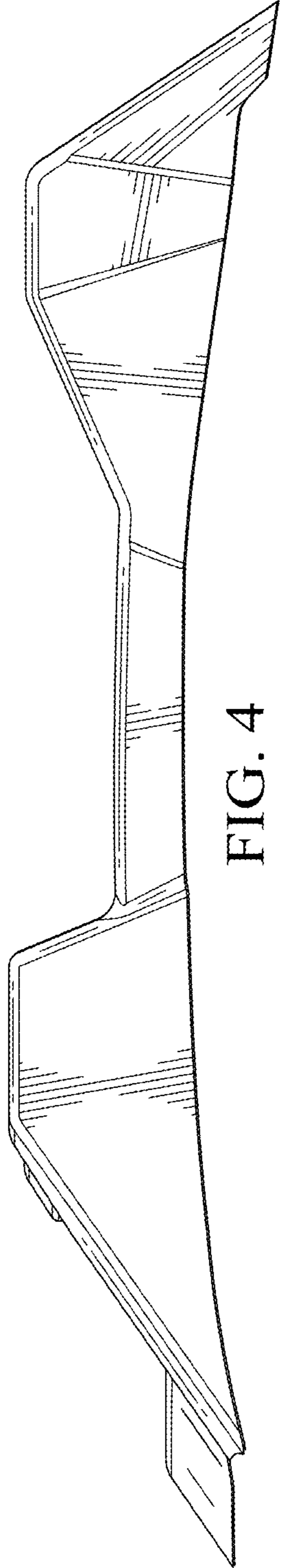


FIG. 4

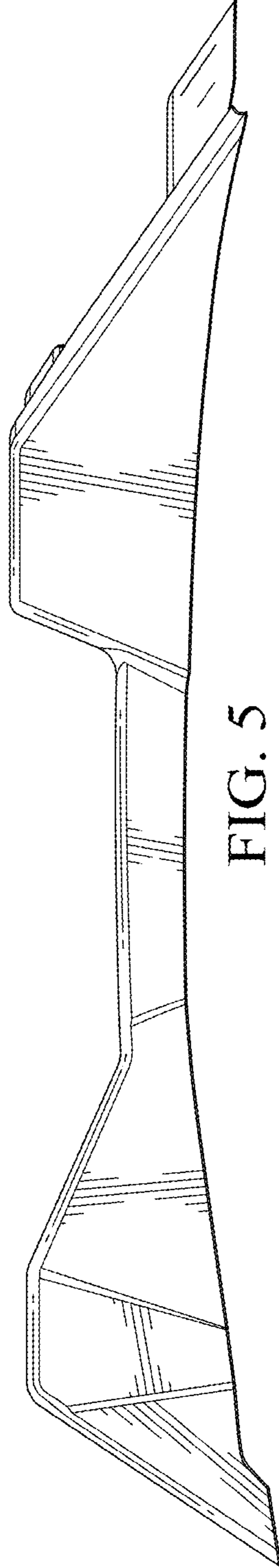


FIG. 5

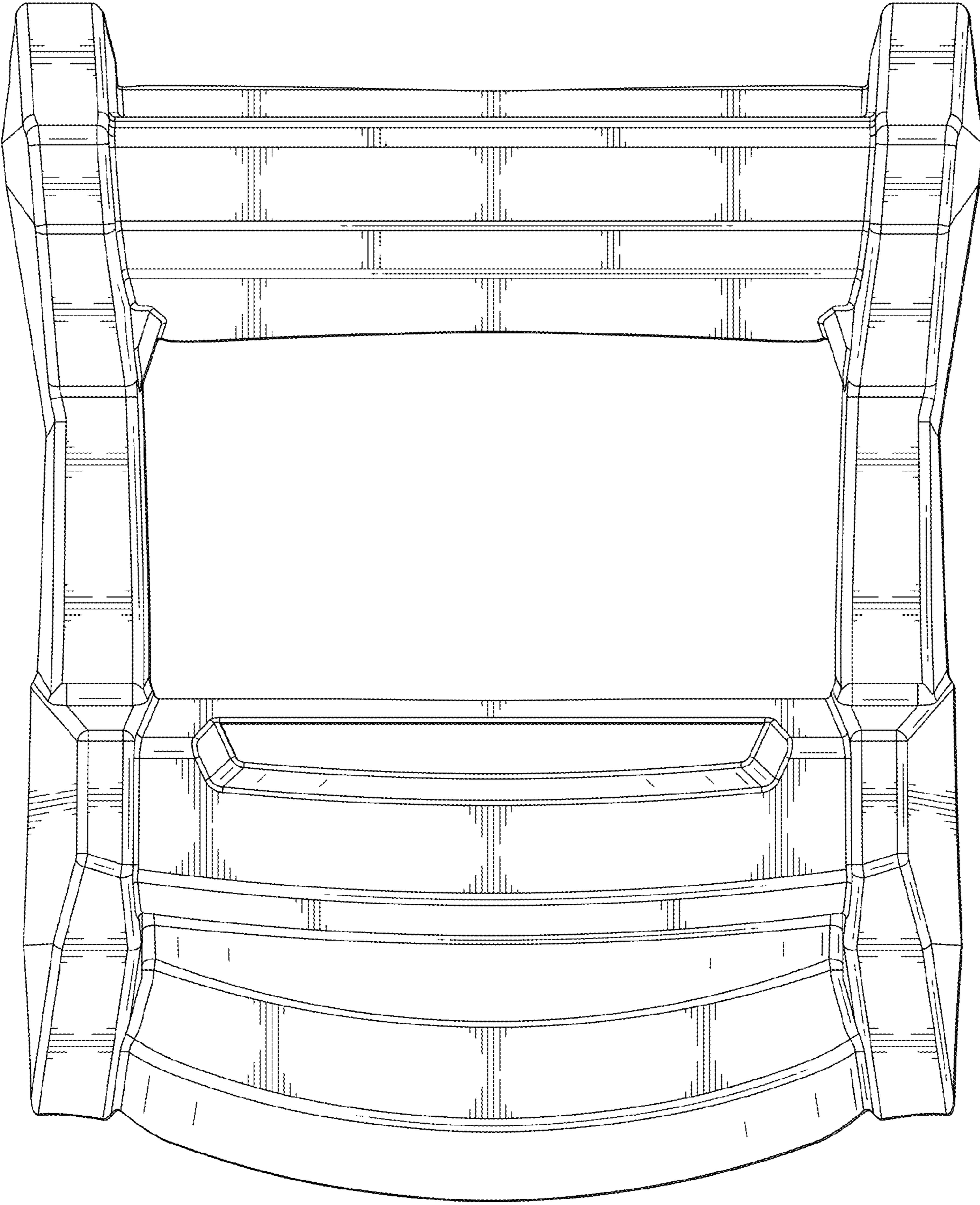
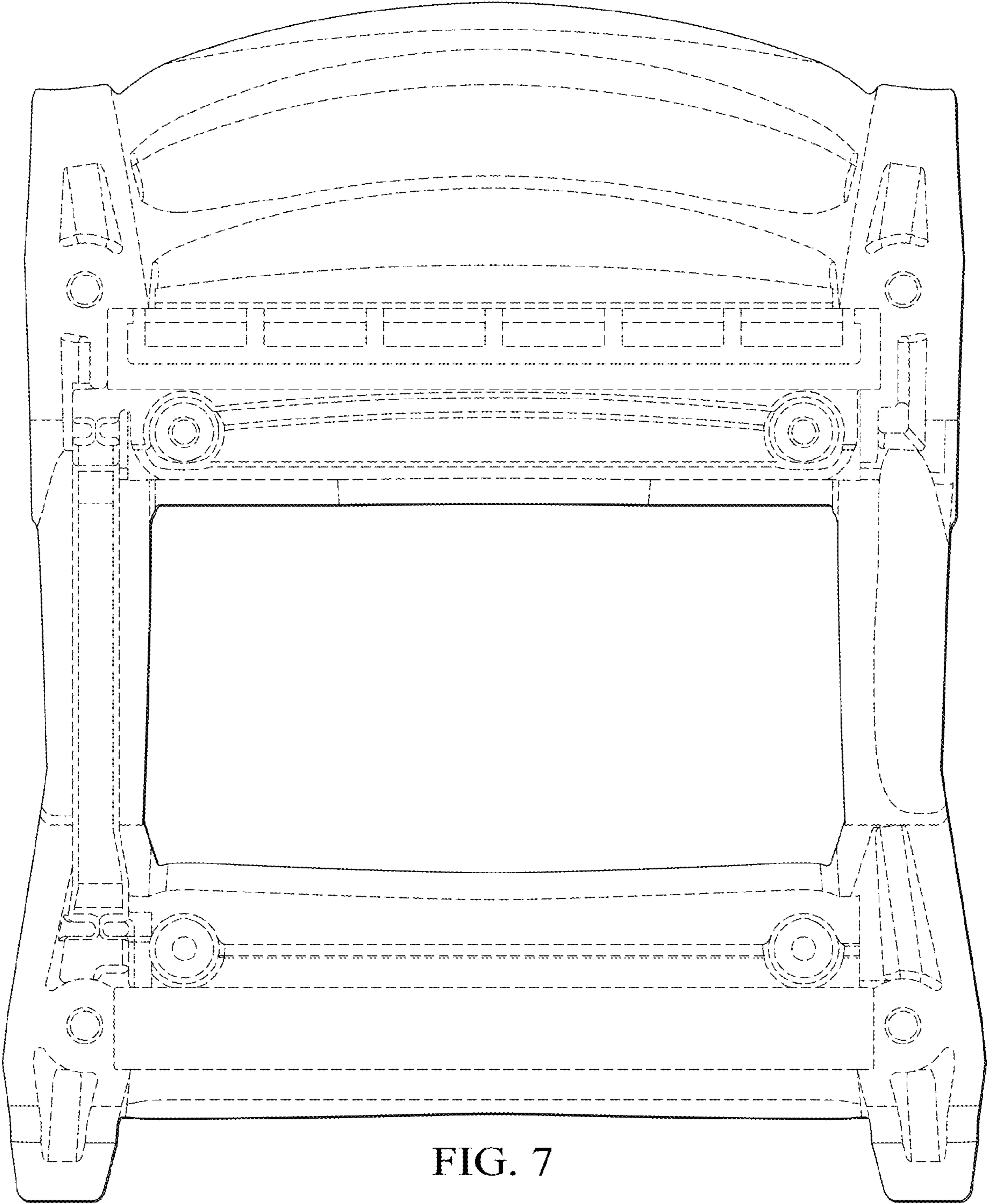


FIG. 6



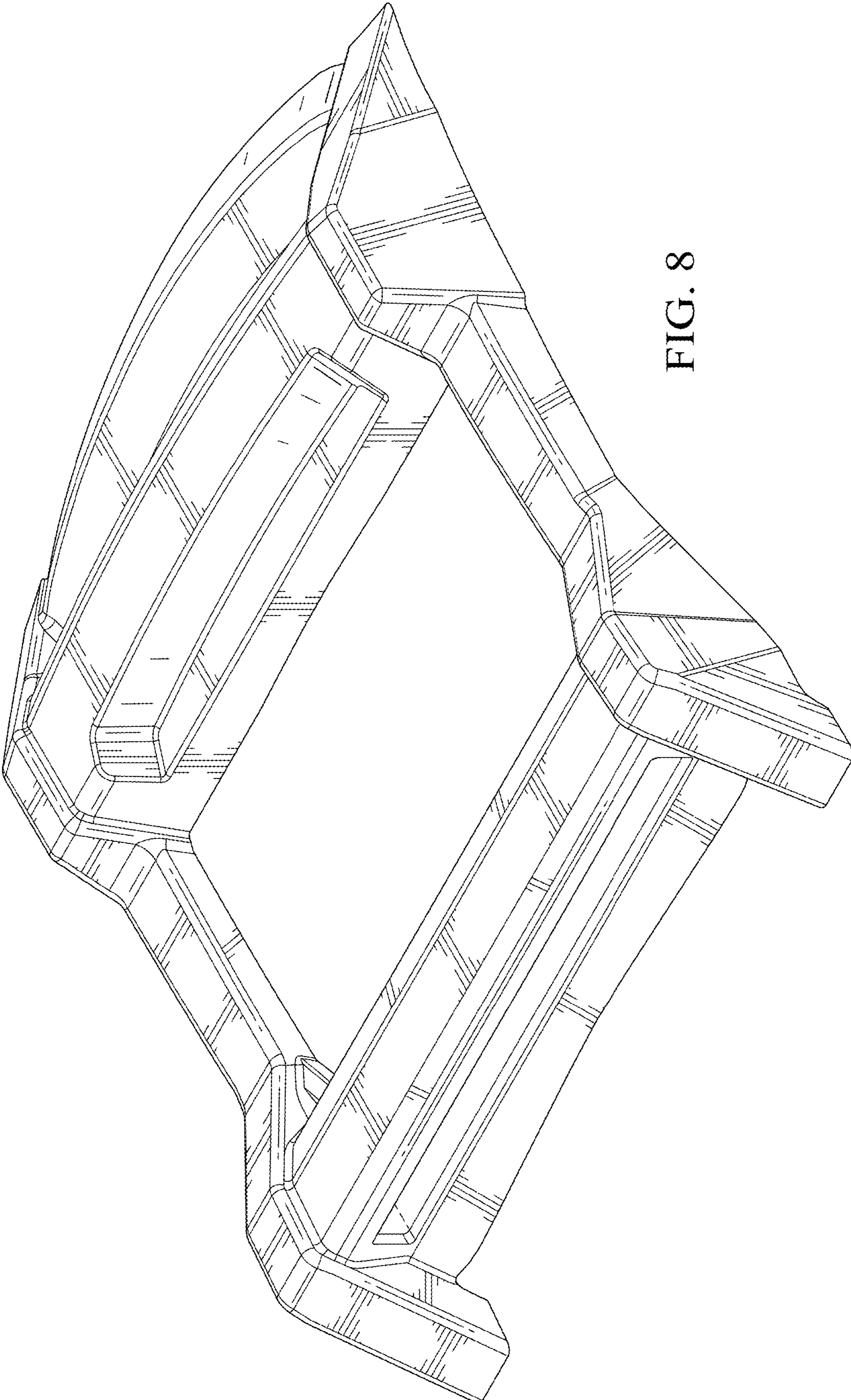


FIG. 8



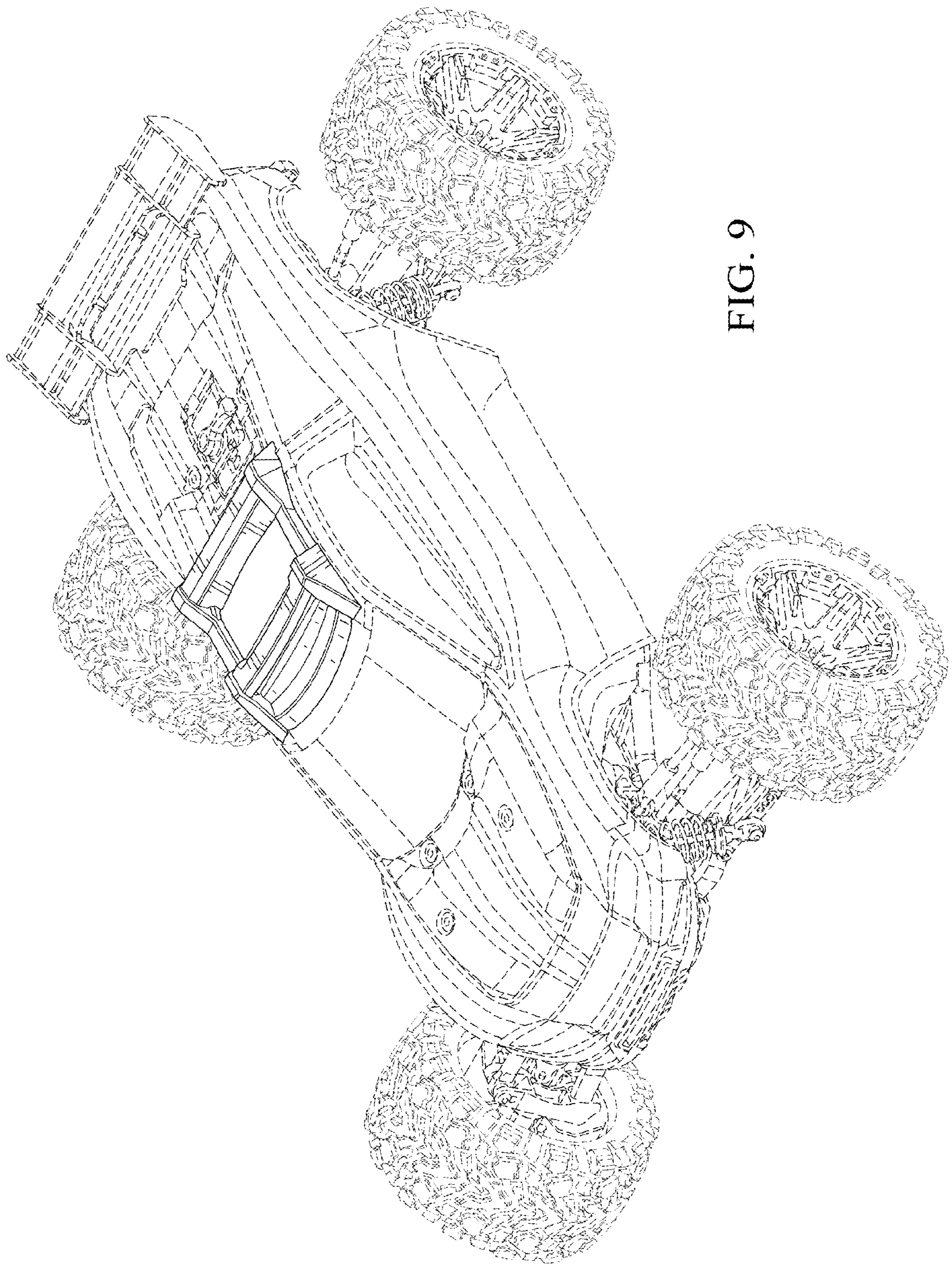


FIG. 9