



US00D921771S

(12) **United States Design Patent** (10) **Patent No.:** **US D921,771 S**
Lo (45) **Date of Patent:** **** Jun. 8, 2021**

(54) **BUILDING BLOCK PLAYING TABLE**

FOREIGN PATENT DOCUMENTS

(71) Applicant: **Delsun Co., Ltd.**, Tainan (TW)

CN 305014878 * 1/2019

(72) Inventor: **Feng-Jung Lo**, Tainan (TW)

OTHER PUBLICATIONS

(73) Assignee: **Delsun Co., Ltd.**, Tainan (TW)

Amazon.com: UNiPLAY Activity Learning Table, website 2020, site visited Sep. 13, 2020, <https://www.amazon.com/UNiPLAY-Activity-Learning-25-Piece-Building/>.*

(**) Term: **15 Years**

* cited by examiner

(21) Appl. No.: **29/693,738**

(22) Filed: **Jun. 5, 2019**

Primary Examiner — John R Yeh

(51) **LOC (13) Cl.** **21-01**

(74) *Attorney, Agent, or Firm* — Alan D. Kamrath; Karin L. Williams; Mayer & Williams PC

(52) **U.S. Cl.**

USPC **D21/522**

(58) **Field of Classification Search**

USPC D21/515–516, 519, 522–525, 528, D21/530–533, 548–555

CPC B05B 17/08; B05B 17/00; E03C 1/08; B28B 1/00; A63H 33/00; A44C 5/14; G04B 37/1486

See application file for complete search history.

(57) **CLAIM**

The ornamental design for a building block playing table, as shown and described.

DESCRIPTION

(56) **References Cited**

U.S. PATENT DOCUMENTS

D282,218 S *	1/1986	Catelli	D21/522
D291,218 S *	8/1987	Mariol	D21/522
D302,030 S *	7/1989	Breuil	D21/522
D326,295 S *	5/1992	Monneret	D21/521
D327,185 S *	6/1992	Ryaa	D30/161
D350,247 S *	9/1994	Buske	D21/522
D358,511 S *	5/1995	Frahm	D21/522
D362,142 S *	9/1995	Lee	D21/522
D368,189 S *	3/1996	Bro	D21/522
D382,144 S *	8/1997	Lo	D21/522
D464,089 S *	10/2002	Studebaker	D21/522
D624,606 S *	9/2010	Carmack	D21/522
D704,776 S *	5/2014	Capriola	D21/485

FIG. 1 is a perspective view of a building block playing table showing my design.

FIG. 2 is a front elevational view thereof.

FIG. 3 is a rear elevational view thereof.

FIG. 4 is a left side elevational view thereof.

FIG. 5 is a right side elevational view thereof.

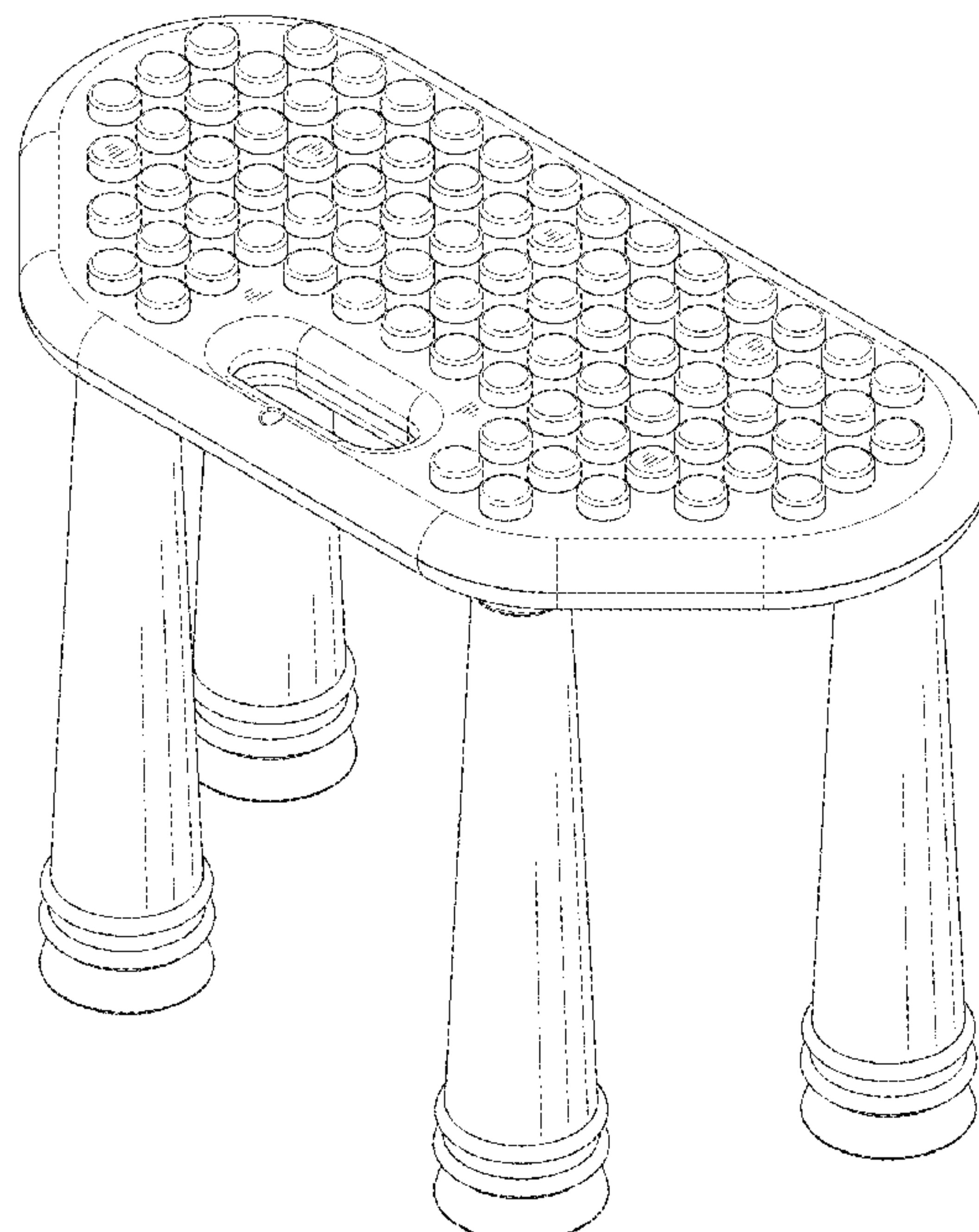
FIG. 6 is a top plan view thereof.

FIG. 7 is a bottom plan view thereof; and,

FIG. 8 is a bottom perspective view thereof.

The broken lines in the drawings depict portions of the building block playing table that form not part of the claimed design.

1 Claim, 8 Drawing Sheets



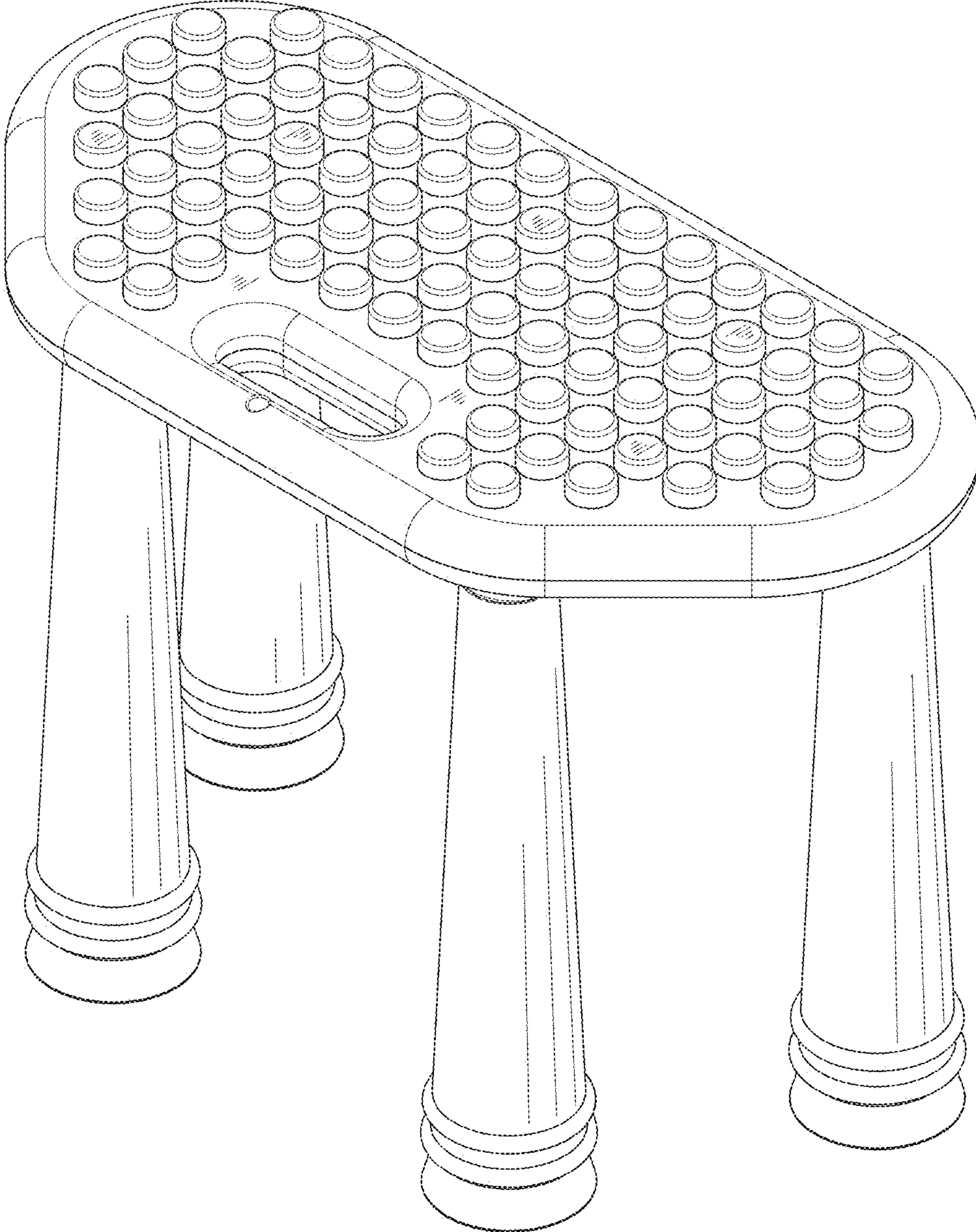


FIG. 1

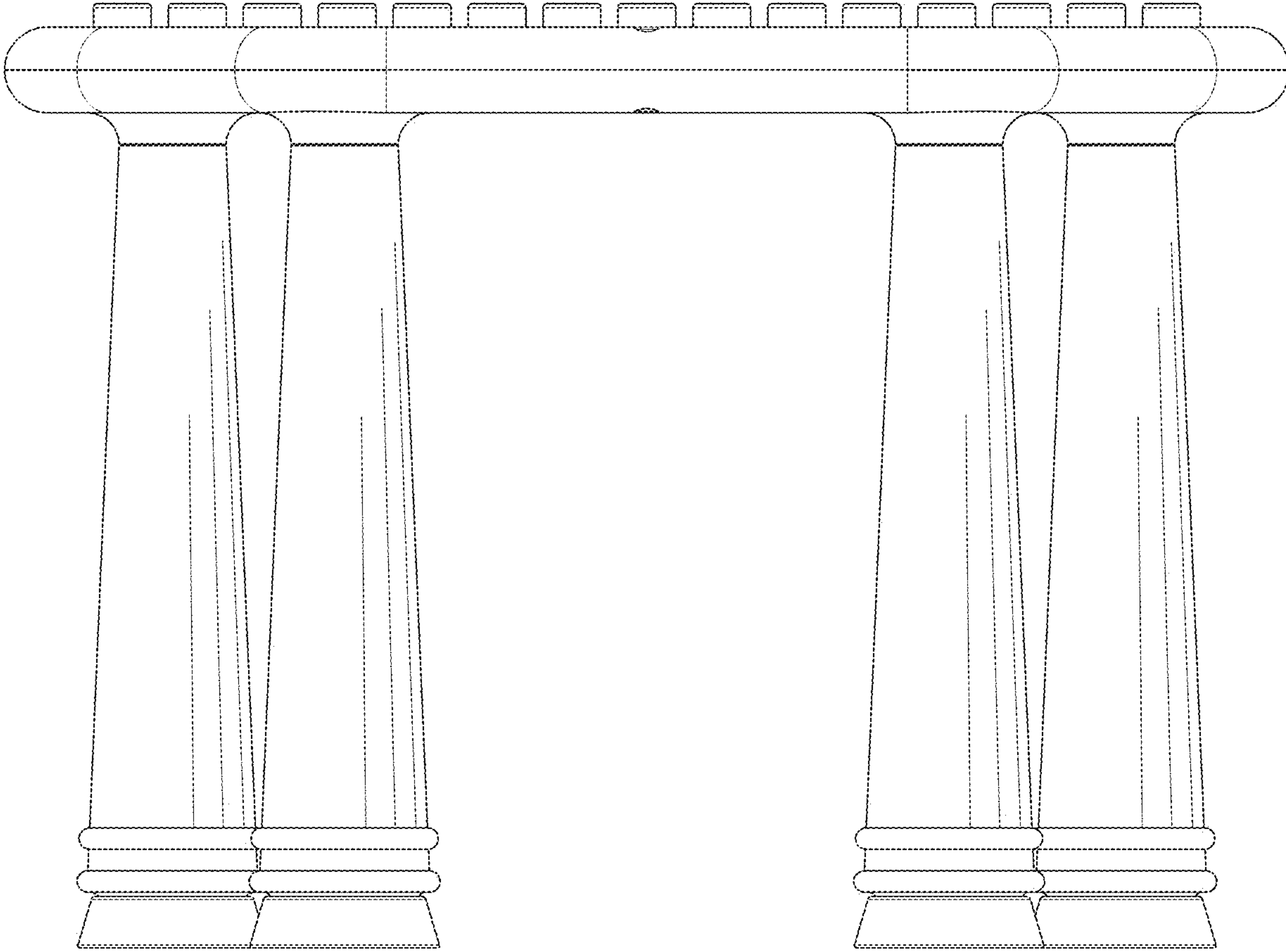


FIG. 2

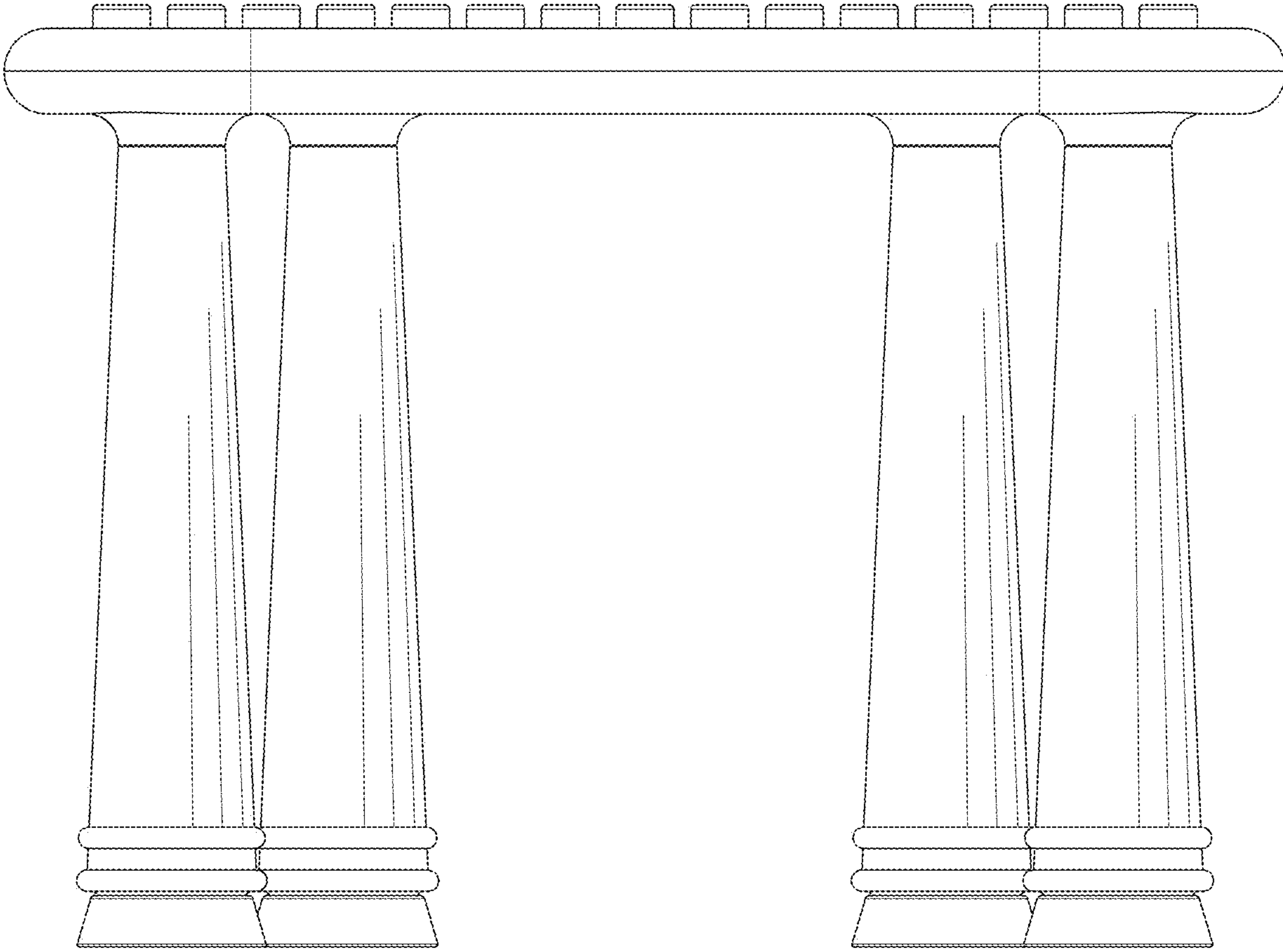


FIG. 3

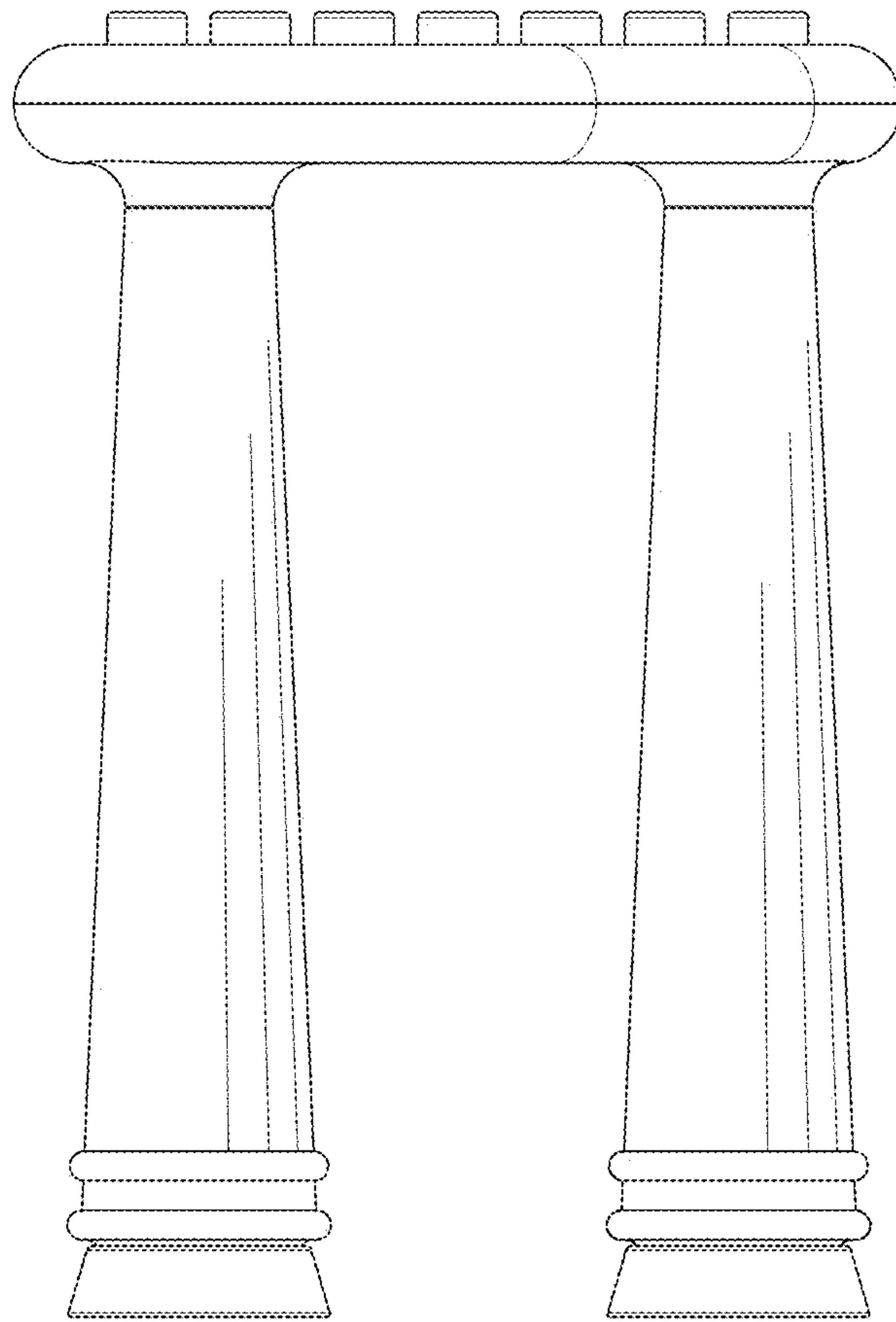


FIG. 4

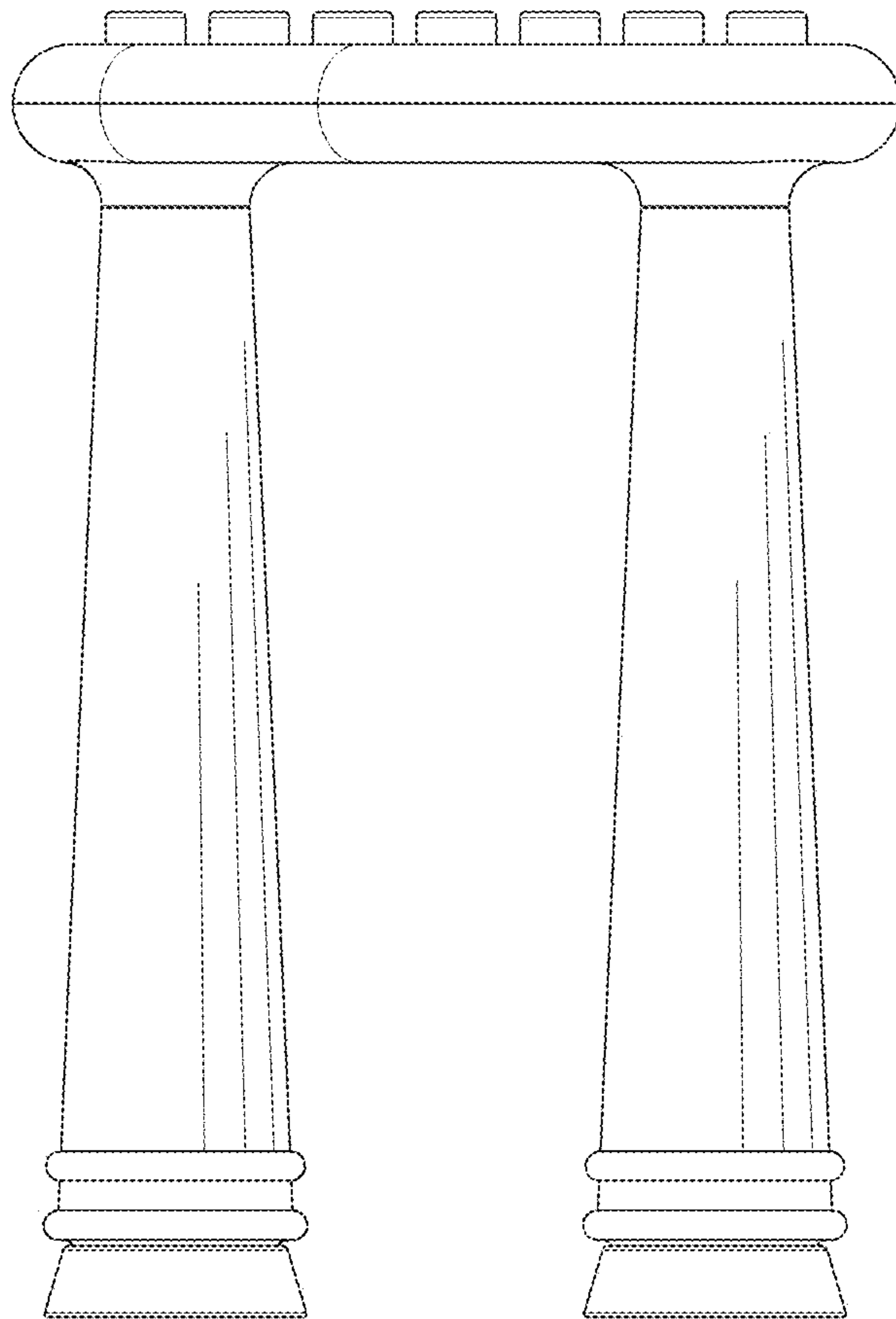


FIG. 5

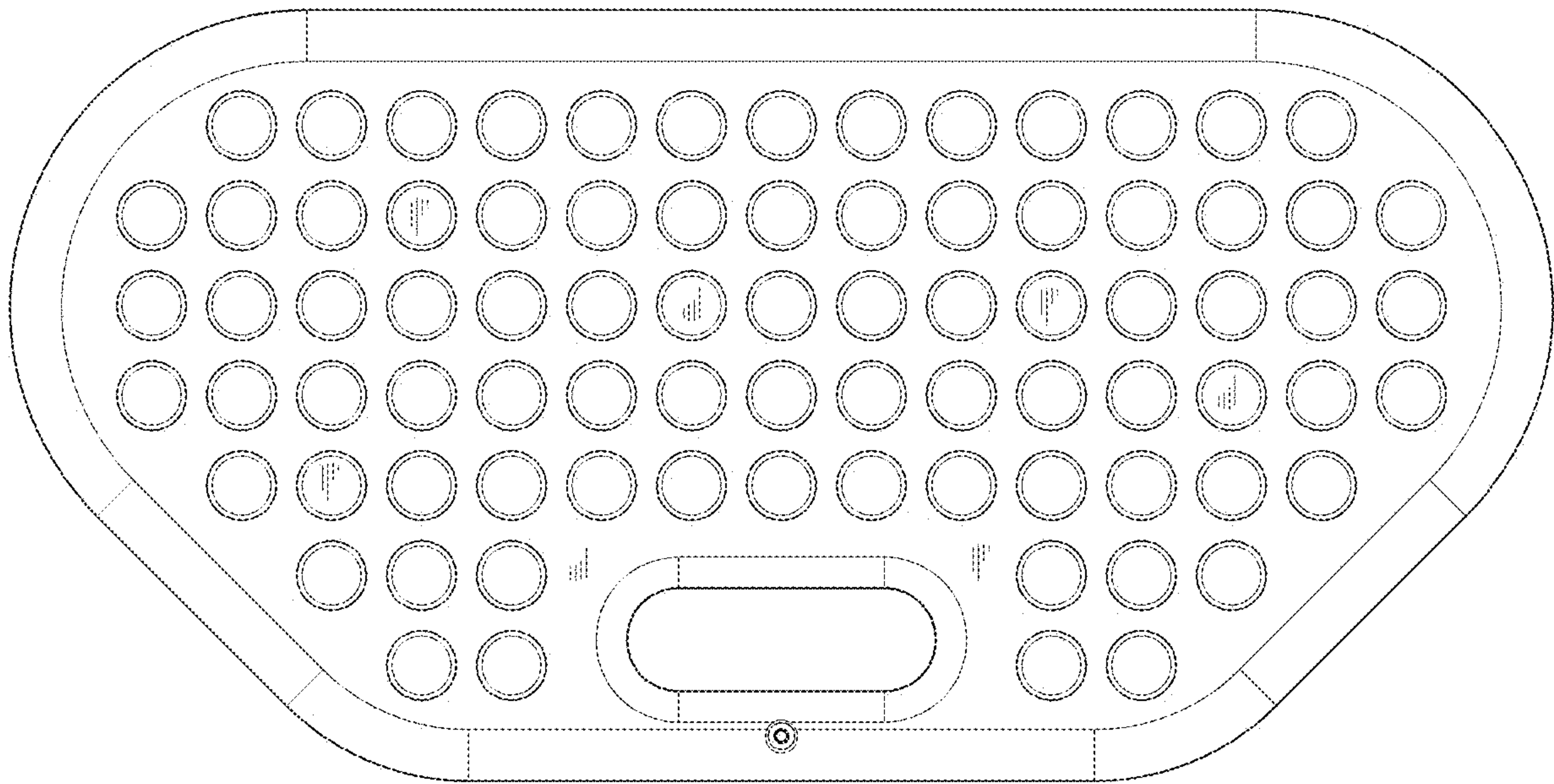


FIG. 6

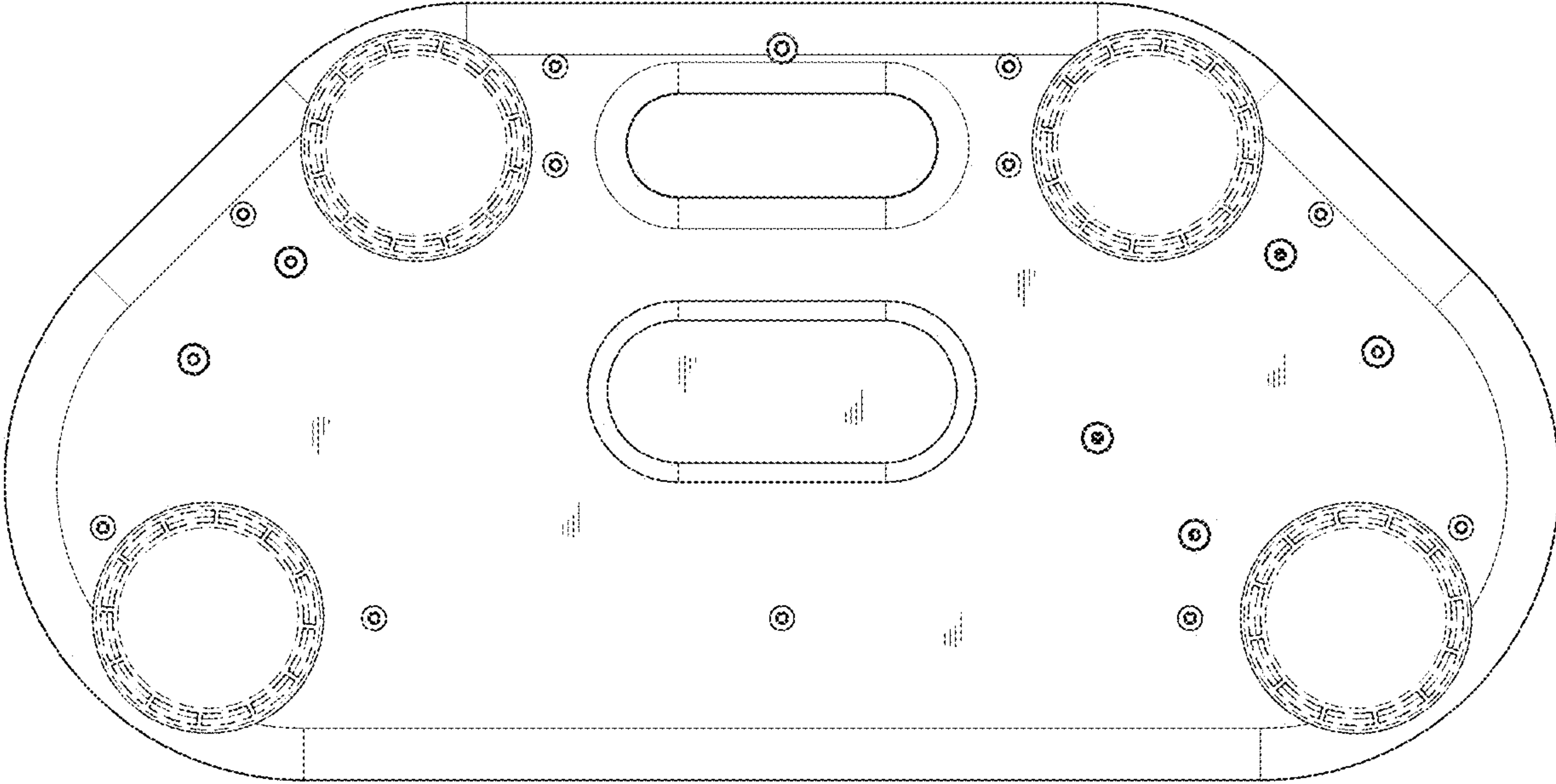


FIG. 7

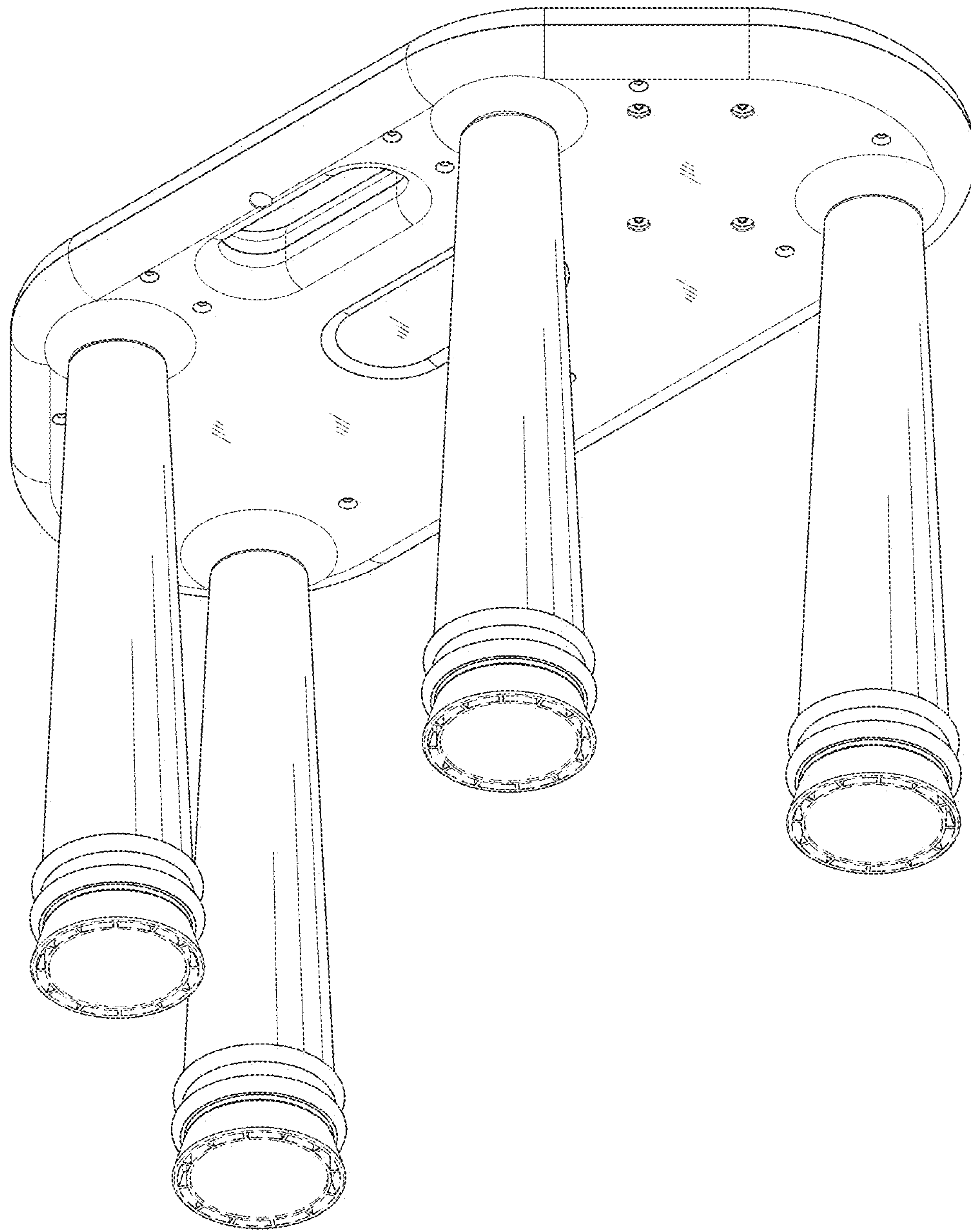


FIG. 8