



US00D921769S

(12) **United States Design Patent**
Chen

(10) **Patent No.:** **US D921,769 S**

(45) **Date of Patent:** **** Jun. 8, 2021**

(54) **3D PUZZLE TOY**

(71) Applicant: **SHENZHEN HONGYUHAO TRADING CO., LTD.**, Shenzhen (CN)

(72) Inventor: **Yi Chen**, Nanyang (CN)

(73) Assignee: **SHENZHEN HONGYUHAO TRADING CO., LTD.**, Shenzhen (CN)

(**) Term: **15 Years**

(21) Appl. No.: **29/768,374**

(22) Filed: **Jan. 29, 2021**

(51) **LOC (13) Cl.** **21-01**

(52) **U.S. Cl.**
USPC **D21/479**

(58) **Field of Classification Search**
USPC D21/478-479, 650, 592, 620; D11/83, D11/159
CPC A63H 3/16
See application file for complete search history.

(56) **References Cited**

U.S. PATENT DOCUMENTS

2,036,302 A * 4/1936 Salazar A63H 3/16
446/100
D136,921 S * 12/1943 Rebholz D21/620

D161,829 S * 2/1951 Goodman D11/83
D257,369 S * 10/1980 Kodaka D21/615
D599,416 S 9/2009 Turco-Rivas
D725,201 S * 3/2015 Shalgi D21/592
D885,253 S * 5/2020 Sakai D11/159
D885,496 S 5/2020 Xianxin

* cited by examiner

Primary Examiner — George D. Kirschbaum

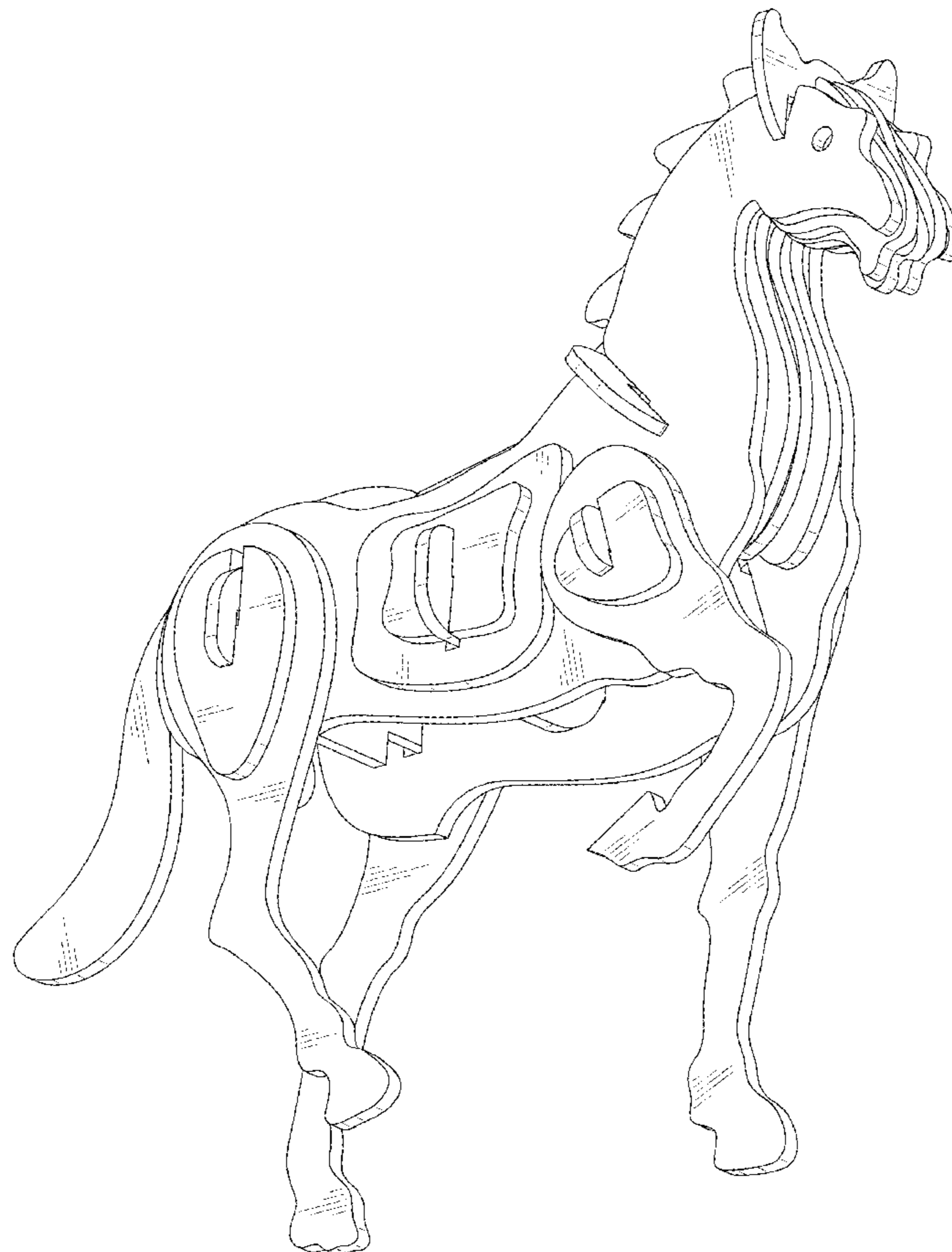
(57) **CLAIM**

The ornamental design for a 3D puzzle toy, as shown and described.

DESCRIPTION

FIG. 1 is a perspective view of a 3D puzzle toy showing my new design;
FIG. 2 is another perspective view thereof;
FIG. 3 is a front elevational view thereof;
FIG. 4 is a rear elevational view thereof;
FIG. 5 is a left side elevational view thereof;
FIG. 6 is a right side elevational view thereof;
FIG. 7 is a top plan view thereof;
FIG. 8 is a bottom plan view thereof; and,
FIG. 9 is an exploded perspective view of the 3D puzzle toy.

1 Claim, 9 Drawing Sheets



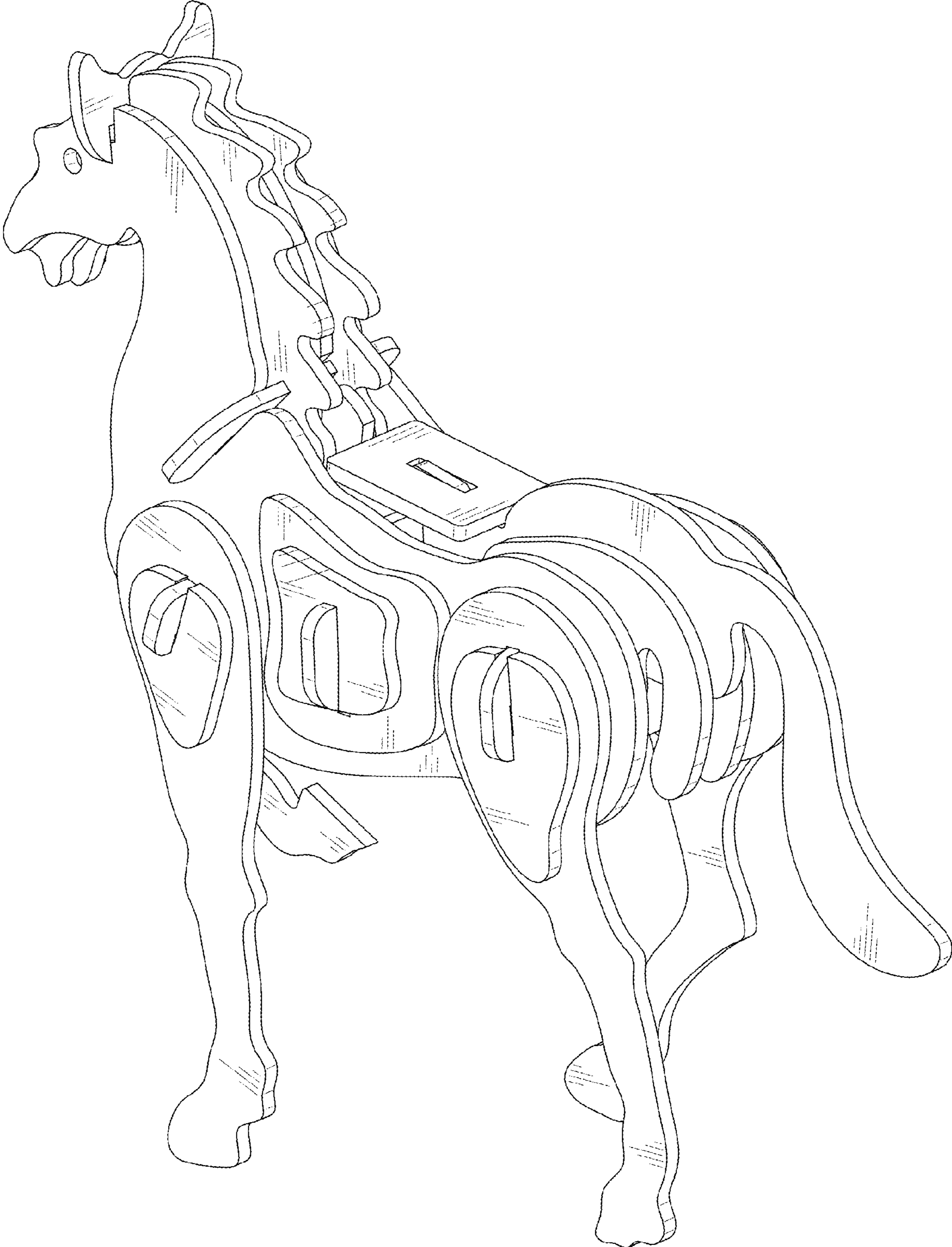


FIG. 1

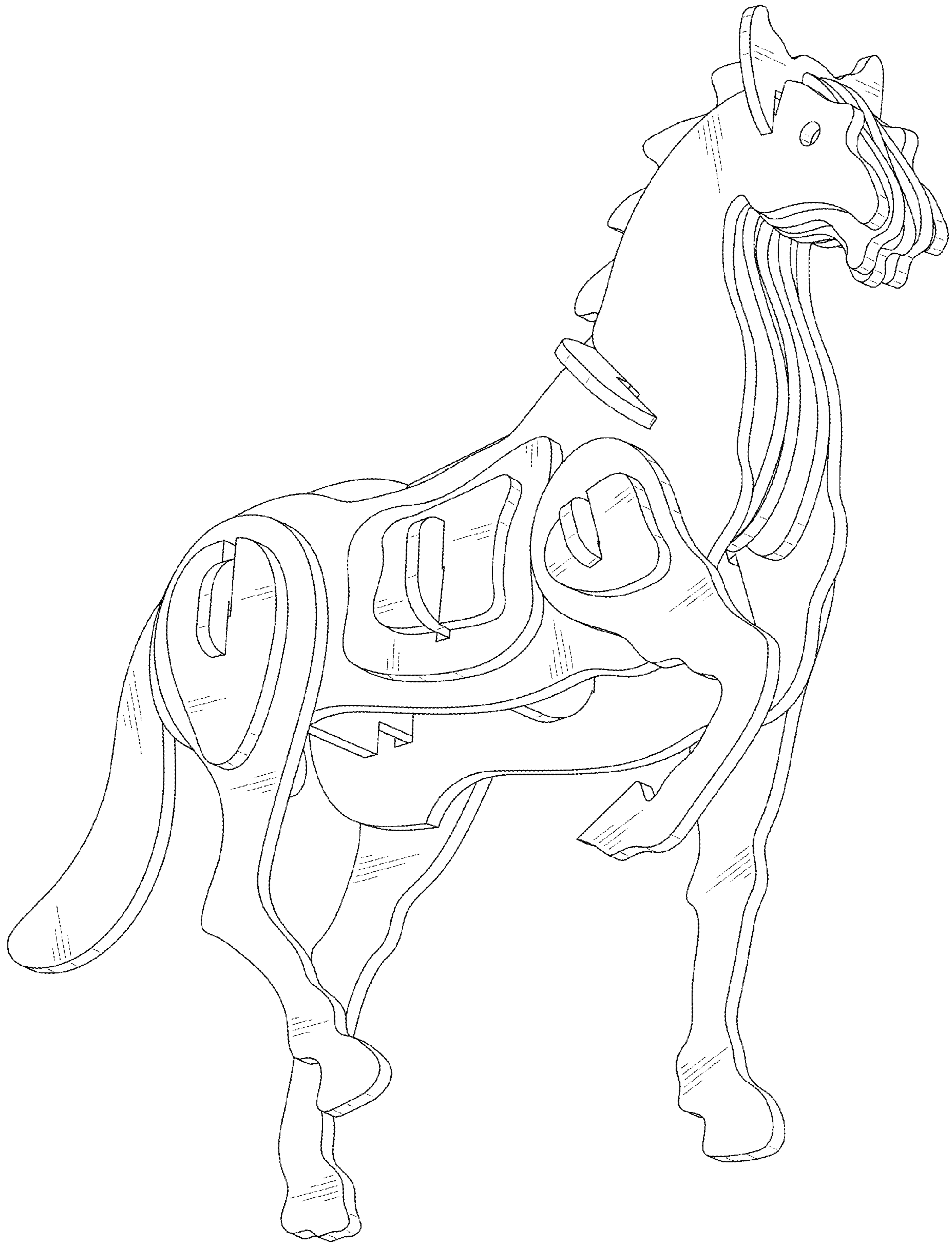


FIG. 2

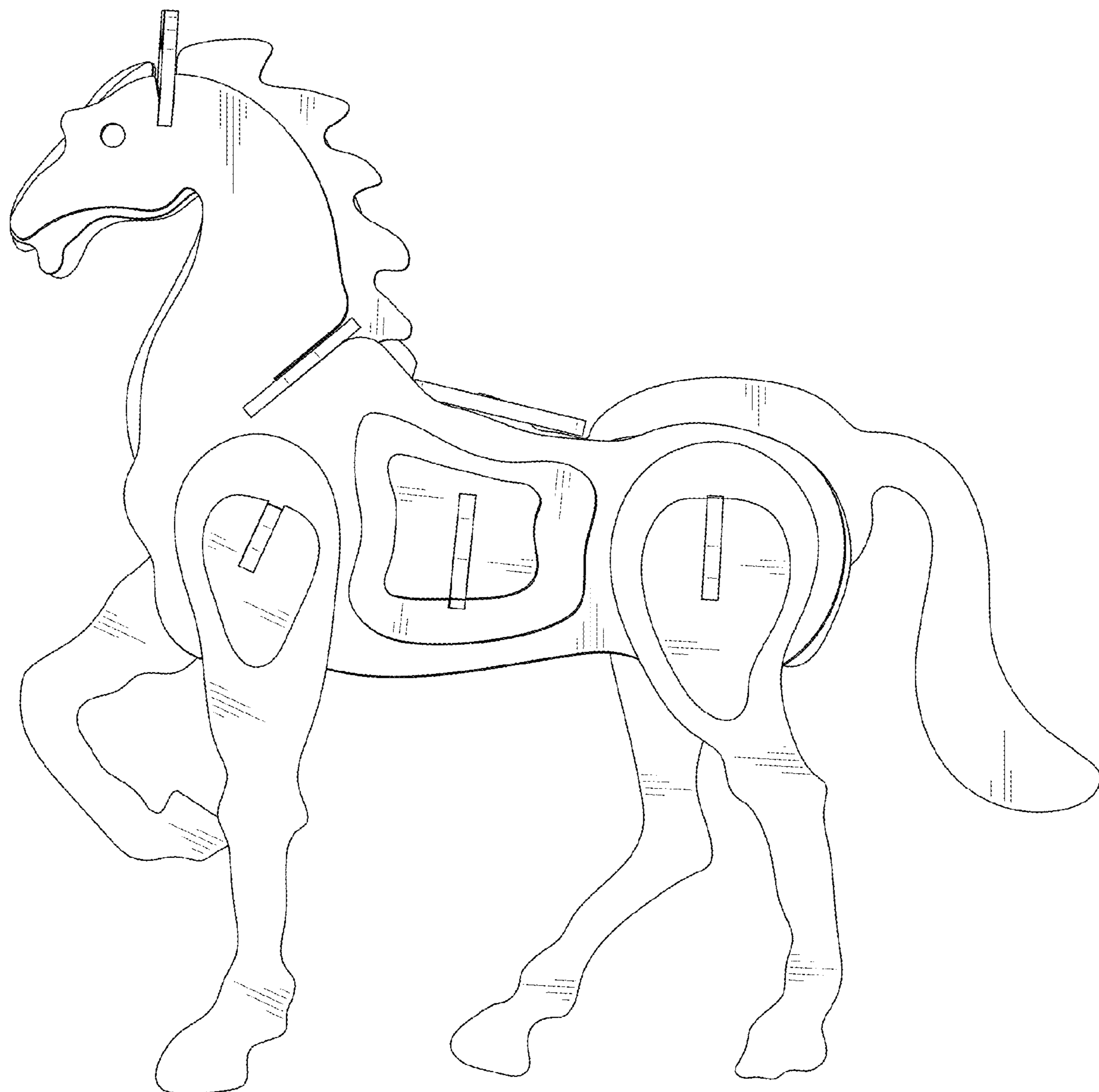


FIG. 3

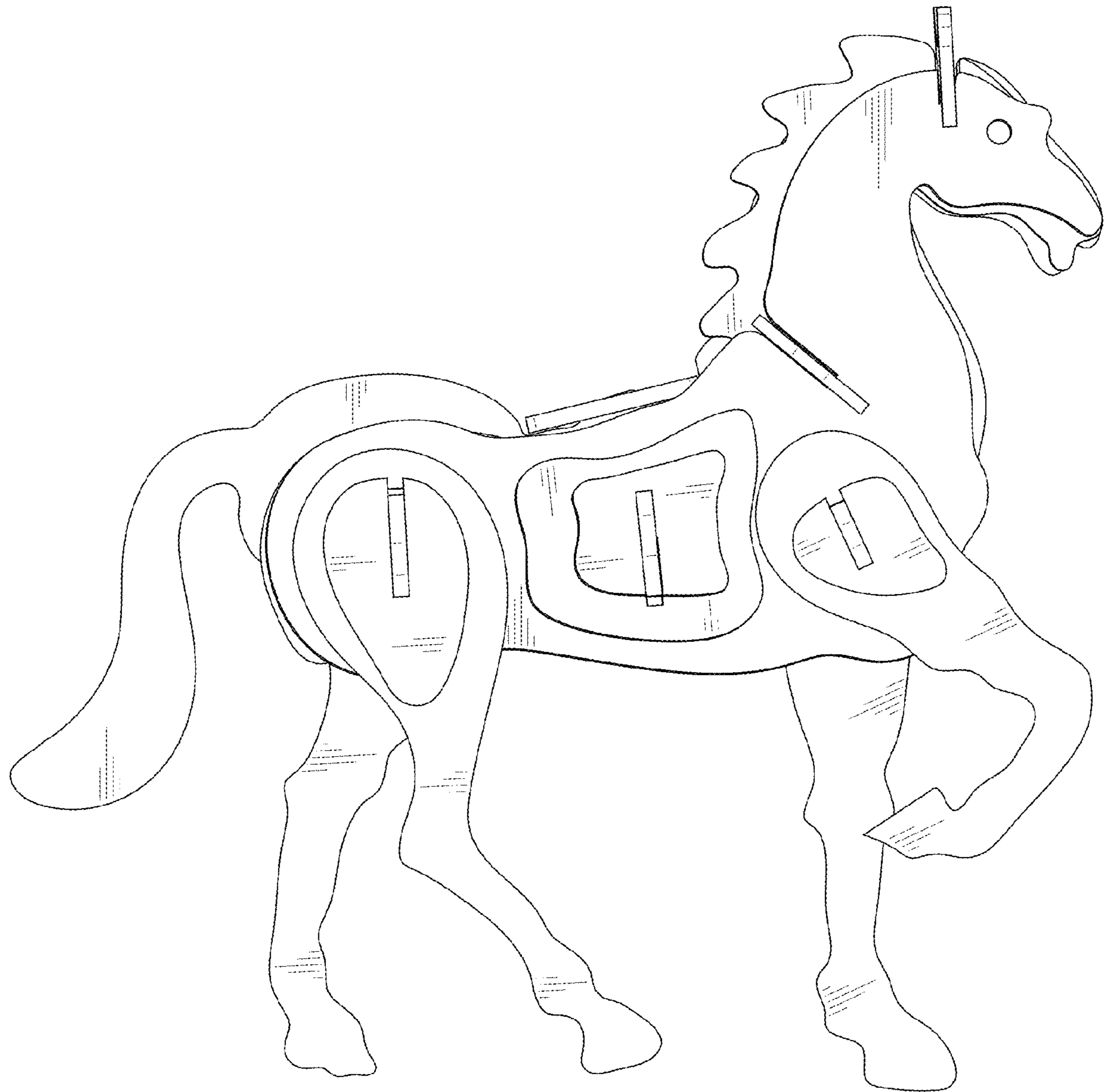


FIG. 4

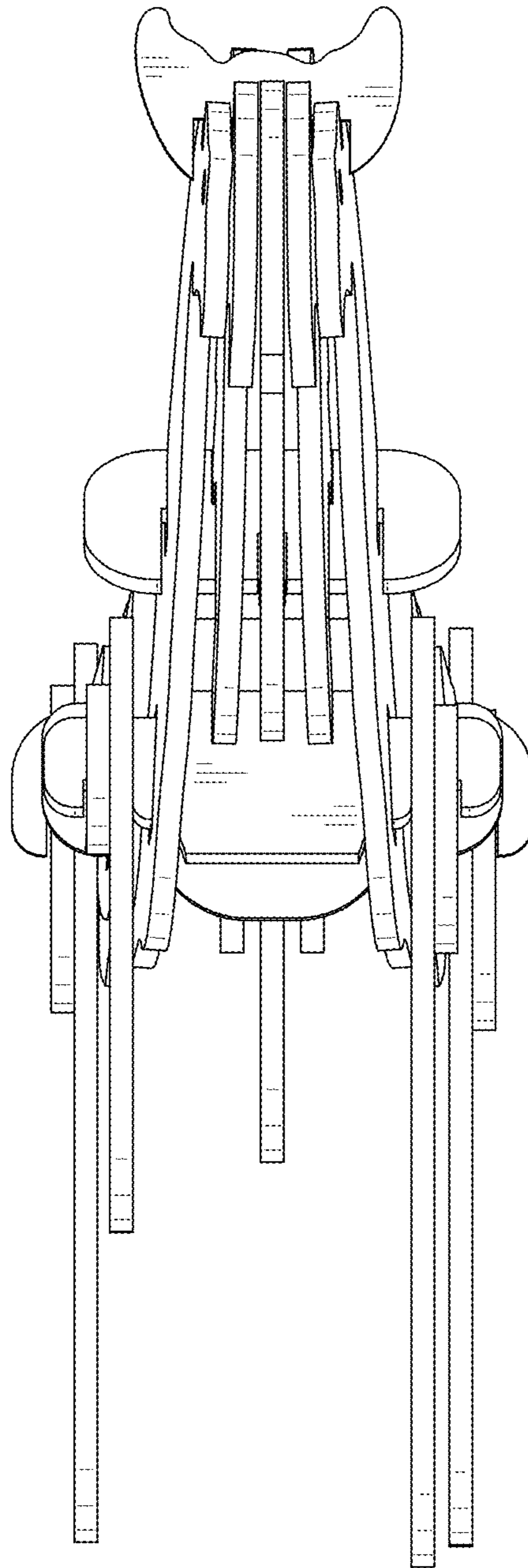


FIG. 5

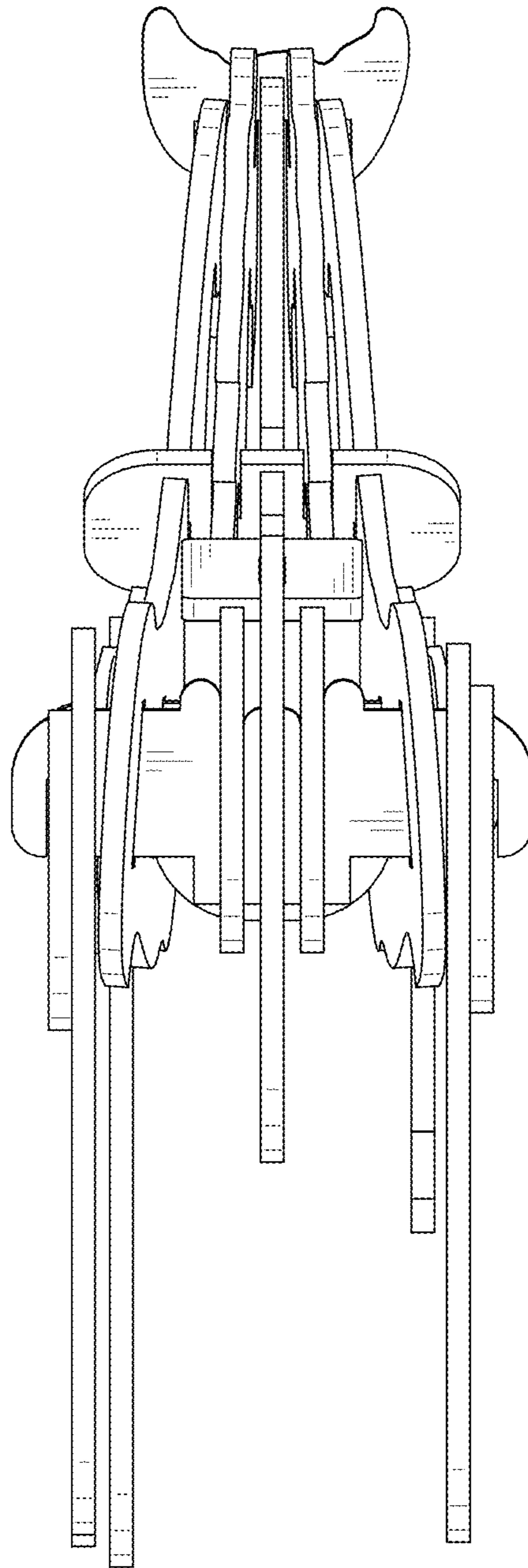


FIG. 6

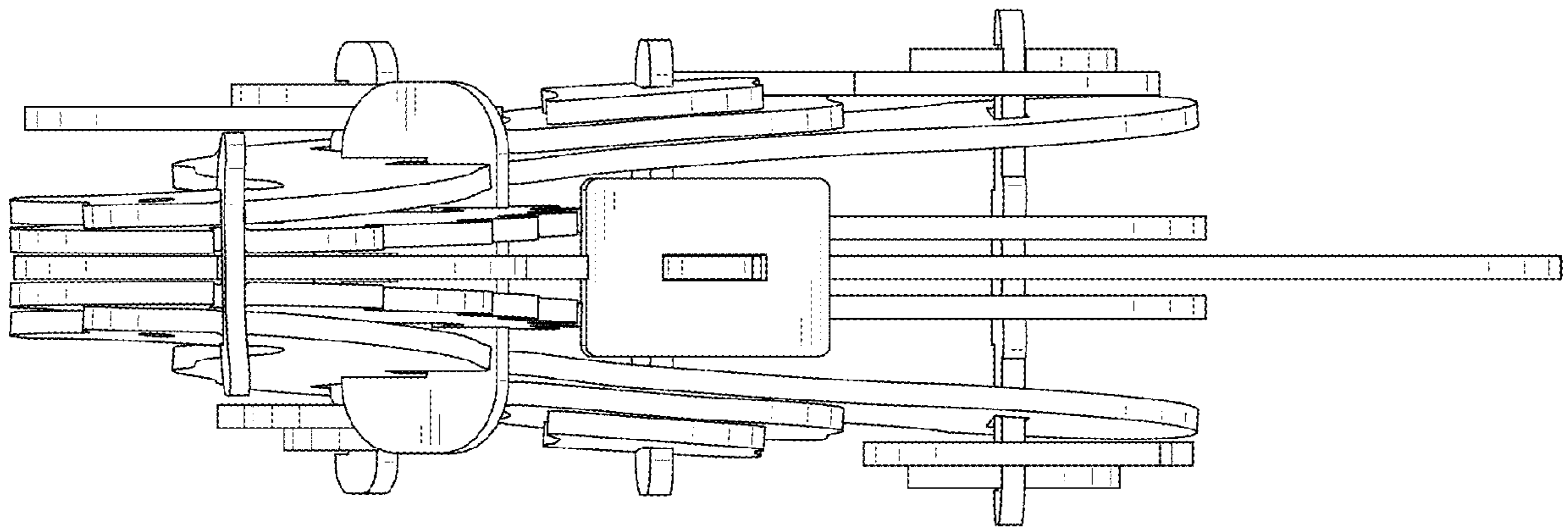


FIG. 7

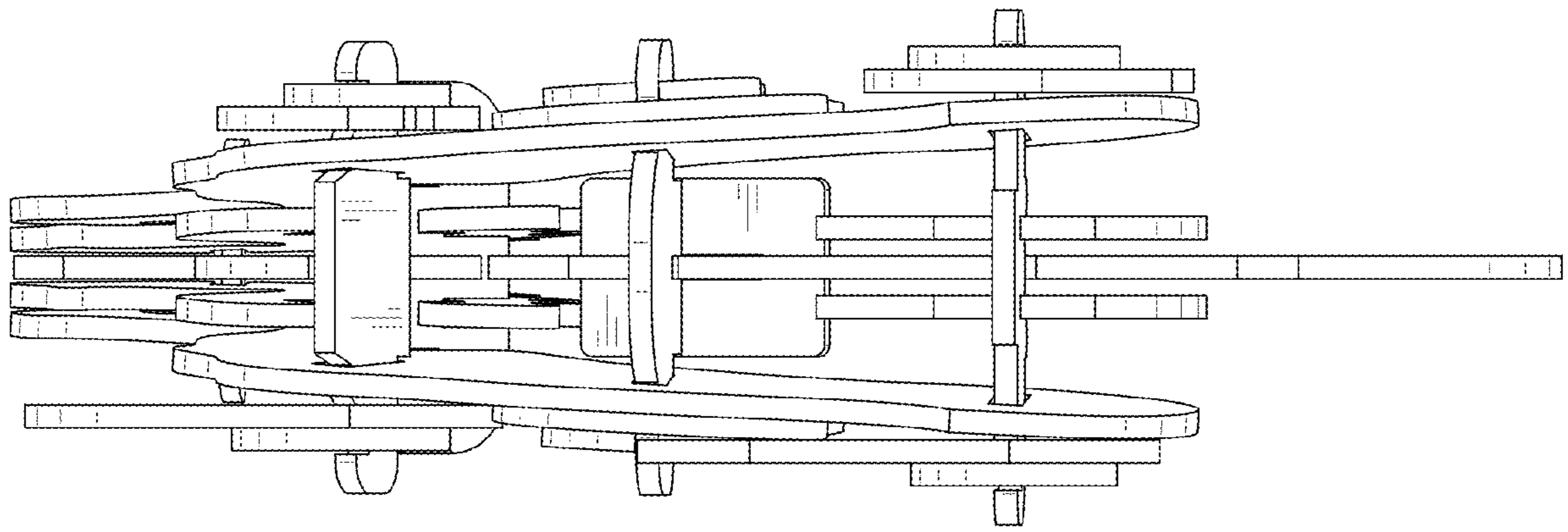


FIG. 8

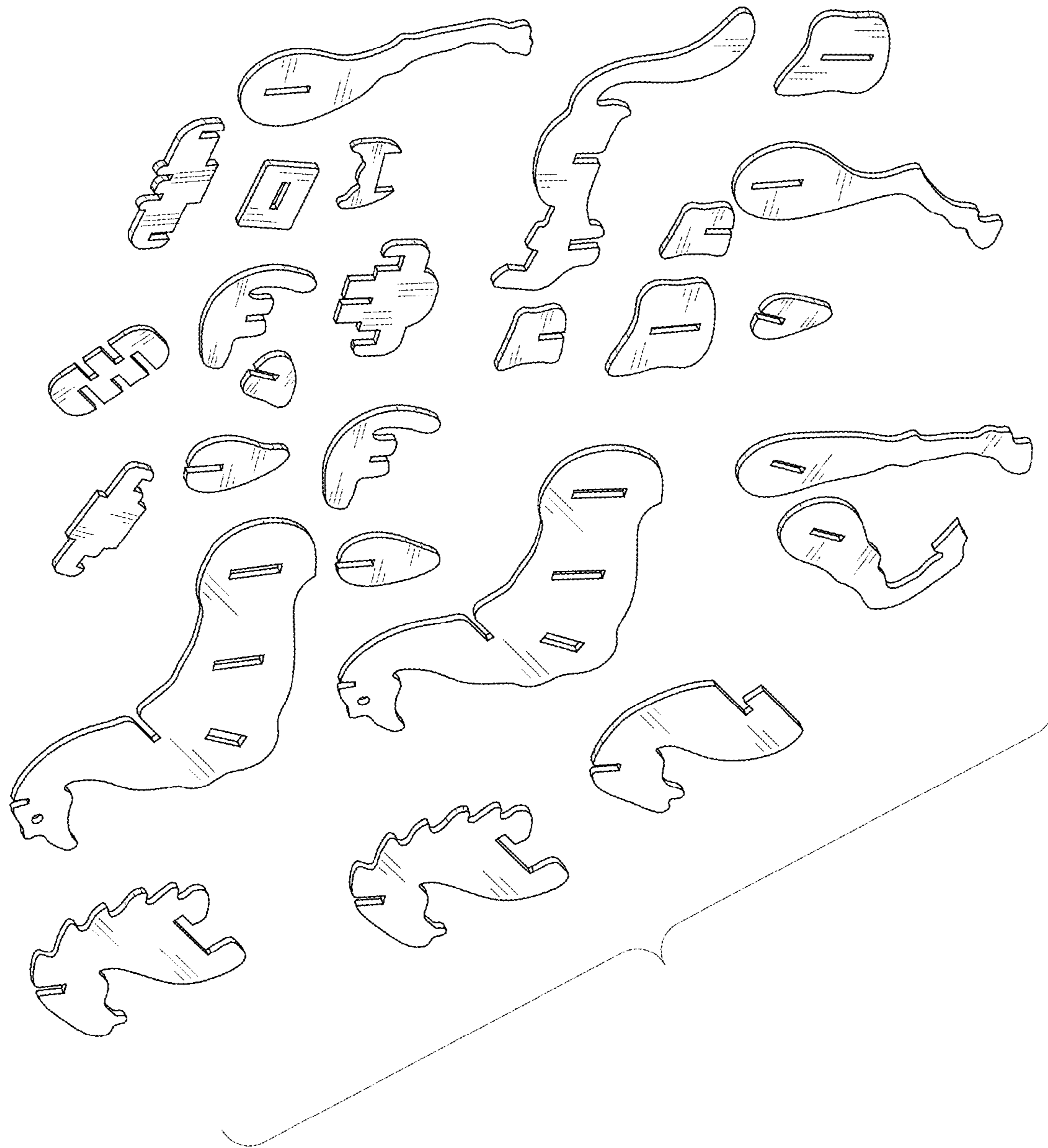


FIG. 9