



US00D921766S

(12) **United States Design Patent** (10) **Patent No.:** **US D921,766 S**  
**Singh et al.** (45) **Date of Patent:** **\*\* Jun. 8, 2021**

(54) **SCOOTER**  
(71) Applicants: **Snap Pop**, Coto de Caza, CA (US);  
**1867361 ONTARIO INC**, Etobicoke  
(CA)  
(72) Inventors: **Amit Singh**, Coto de Caza, CA (US);  
**Robert Douglas Stewart**, Etobicoke  
(CA)  
(73) Assignees: **Snap Pop**, Coto de Caza, CA (US);  
**1867361 ONTARIO INC**, Etobicoke  
(CA)  
(\*\*) Term: **15 Years**  
(21) Appl. No.: **29/714,266**  
(22) Filed: **Nov. 21, 2019**  
(51) **LOC (13) Cl.** ..... **21-01**  
(52) **U.S. Cl.**  
USPC ..... **D21/423**  
(58) **Field of Classification Search**  
USPC ..... D21/412, 414, 415, 416, 417, 419, 421,  
D21/423, 424-429, 432, 435, 617, 760,  
D21/763, 765, 771; D12/1, 110  
CPC ..... B62K 3/002; B62K 9/00; B62K 2202/00;  
B62K 15/00; B62K 2015/001; B62K  
2015/003; B60Y 2200/126  
See application file for complete search history.

(56) **References Cited**  
U.S. PATENT DOCUMENTS  
D55,838 S \* 7/1920 Badgley ..... D21/425  
D78,317 S \* 4/1929 Standers ..... D21/428  
D87,060 S \* 5/1932 Hebig ..... D21/428  
D138,657 S \* 8/1944 Peruggi ..... D21/617  
D155,702 S \* 10/1949 Ganine ..... D21/617  
D170,947 S \* 11/1953 Scheppele ..... D21/428  
D247,862 S \* 5/1978 Nakao ..... D21/428

4,373,715 A \* 2/1983 Henn ..... A63G 19/00  
4/476  
D276,640 S \* 12/1984 Paczko ..... D21/617  
4,741,544 A \* 5/1988 Kassai ..... B62K 9/00  
280/1.13  
D302,791 S \* 8/1989 Ferrero ..... D9/611  
D347,809 S \* 6/1994 Choi ..... D12/108  
D396,505 S \* 7/1998 Leadbetter ..... D21/617  
D431,054 S \* 9/2000 Cheng ..... D12/108  
D544,553 S \* 6/2007 Lensvelt ..... D21/592  
D665,034 S \* 8/2012 Grossman ..... D21/423  
D728,701 S \* 5/2015 Lo ..... D21/617  
9,162,724 B2 \* 10/2015 Desberg ..... B62K 3/002  
D777,261 S \* 1/2017 Desberg ..... D21/423  
D838,896 S \* 1/2019 Alnaes ..... D26/98  
2015/0115558 A1 \* 4/2015 Desberg ..... B62K 9/02  
280/87.041  
2016/0347395 A1 \* 12/2016 Nelson-Pondrom ..... B62J 9/21  
2020/0353370 A1 \* 11/2020 Singh ..... B62K 15/006

\* cited by examiner

*Primary Examiner* — Cynthia M. Chin  
(74) *Attorney, Agent, or Firm* — Sterne, Kessler,  
Goldstein & Fox P.L.L.C.

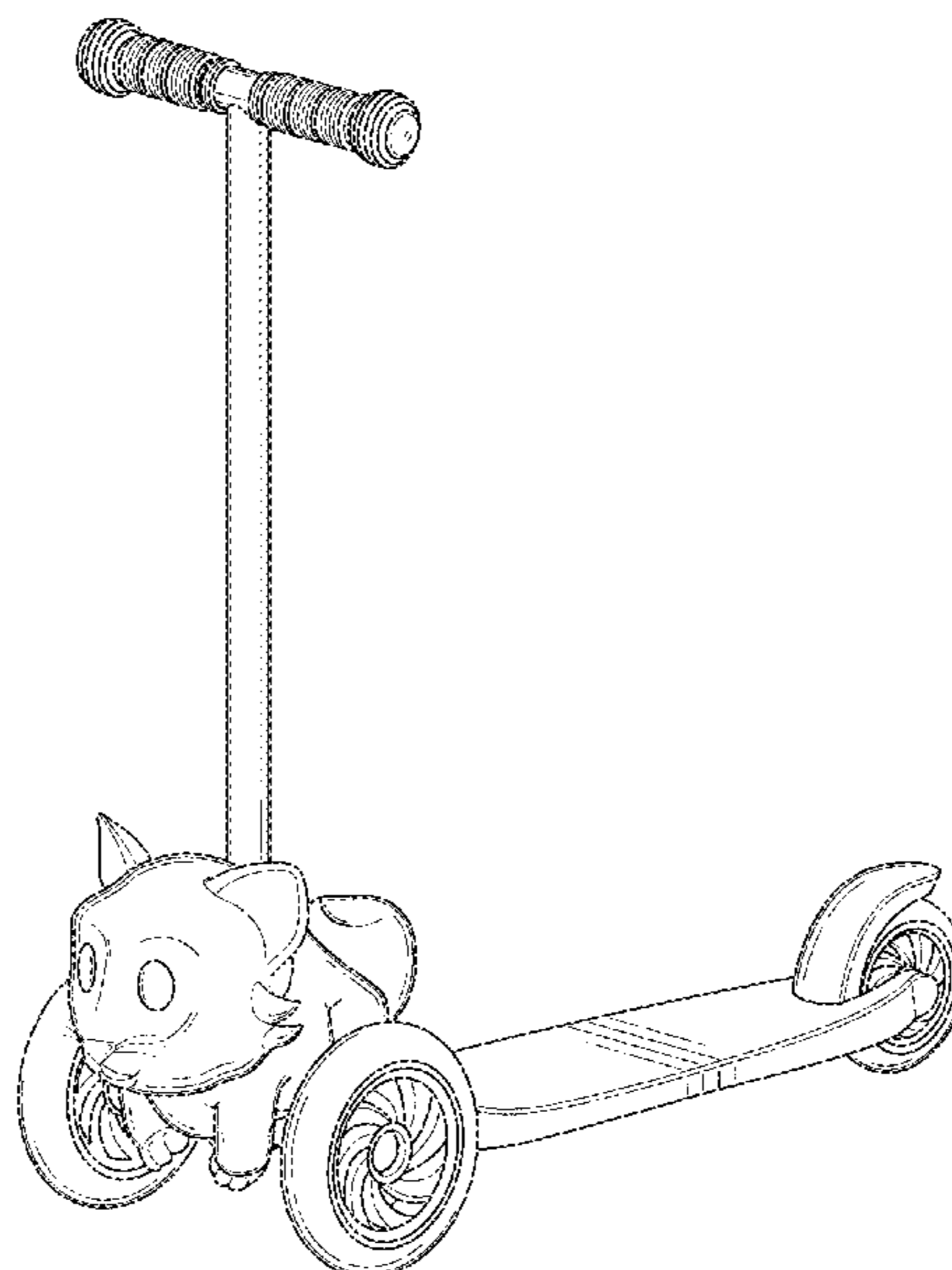
(57) **CLAIM**

The ornamental design for a scooter, as shown and described.

**DESCRIPTION**

FIG. 1 is a perspective view of a scooter showing the claimed design;  
FIG. 2 is a front elevational view thereof;  
FIG. 3 is a rear elevational view thereof;  
FIG. 4 is a left side elevational view thereof;  
FIG. 5 is a right side elevational view thereof;  
FIG. 6 is a top plan view thereof; and,  
FIG. 7 is a bottom plan view thereof.  
The broken lines in the figures show portions of the scooter that form no part of the claimed design.

**1 Claim, 7 Drawing Sheets**



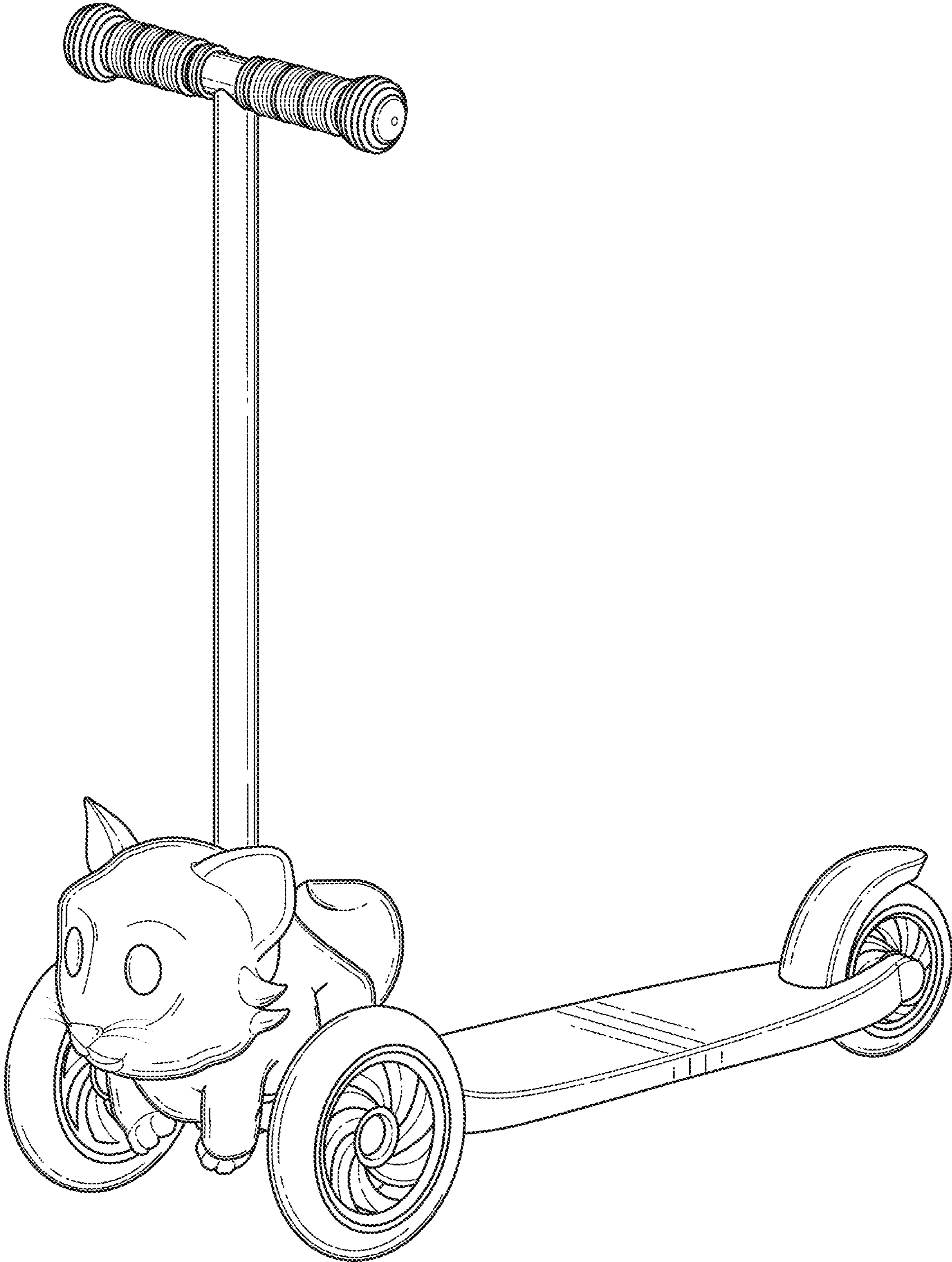


FIG. 1

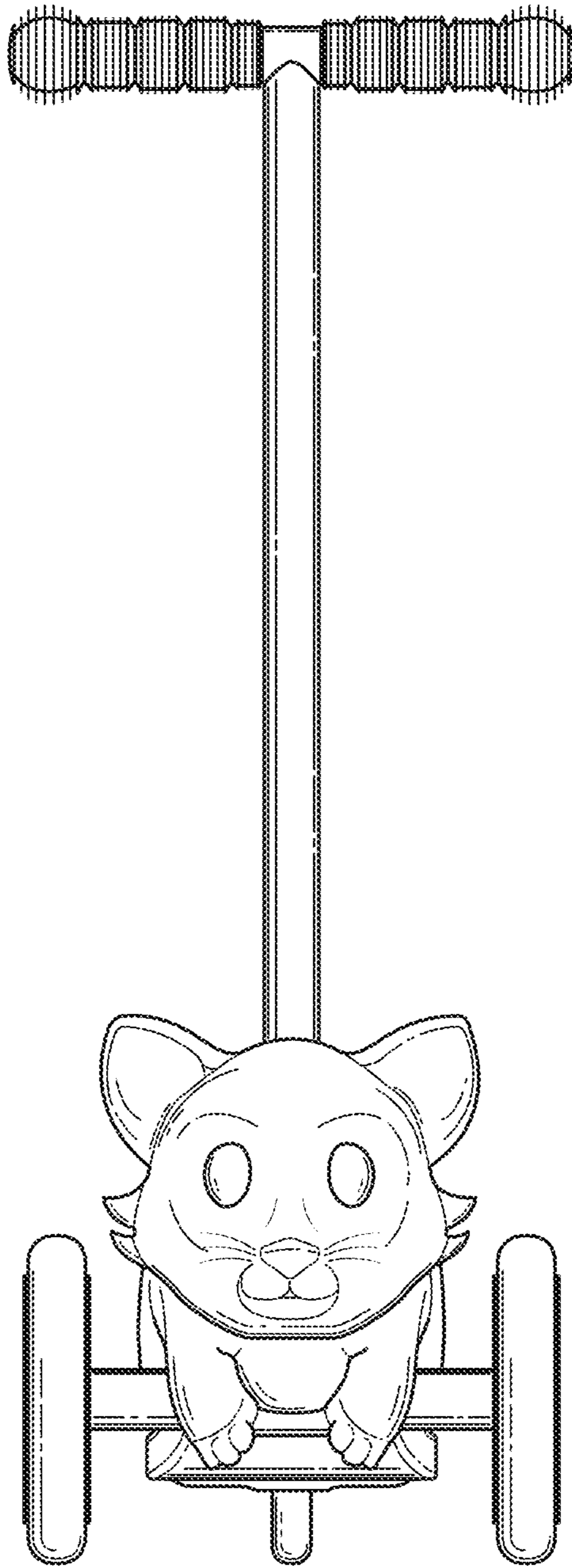


FIG. 2

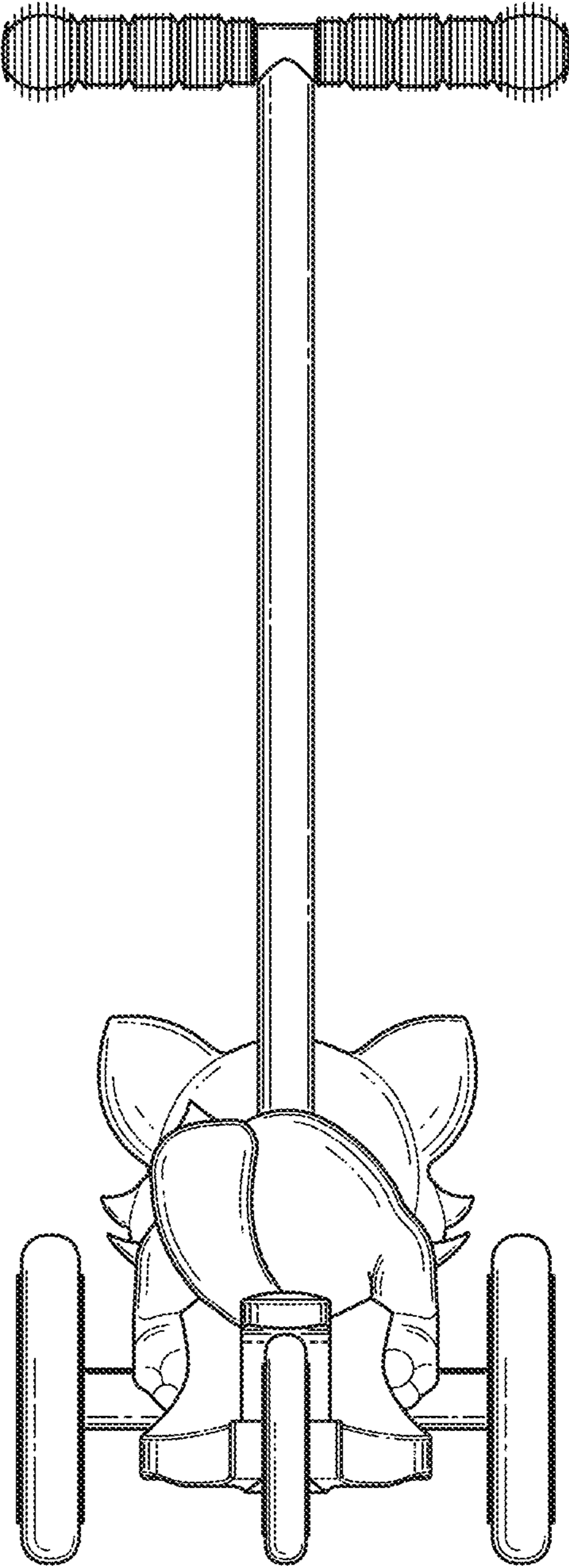


FIG. 3

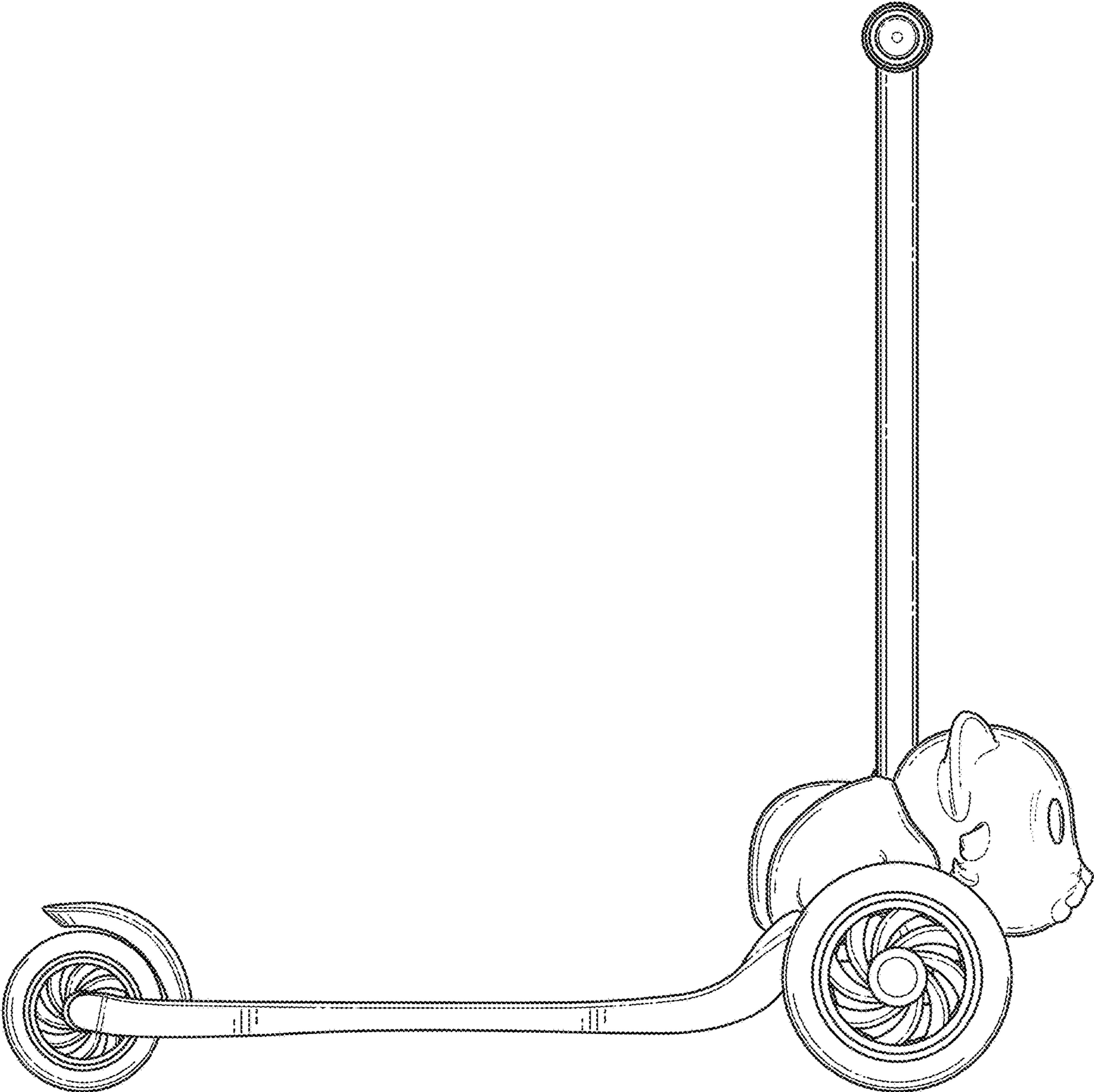


FIG. 4

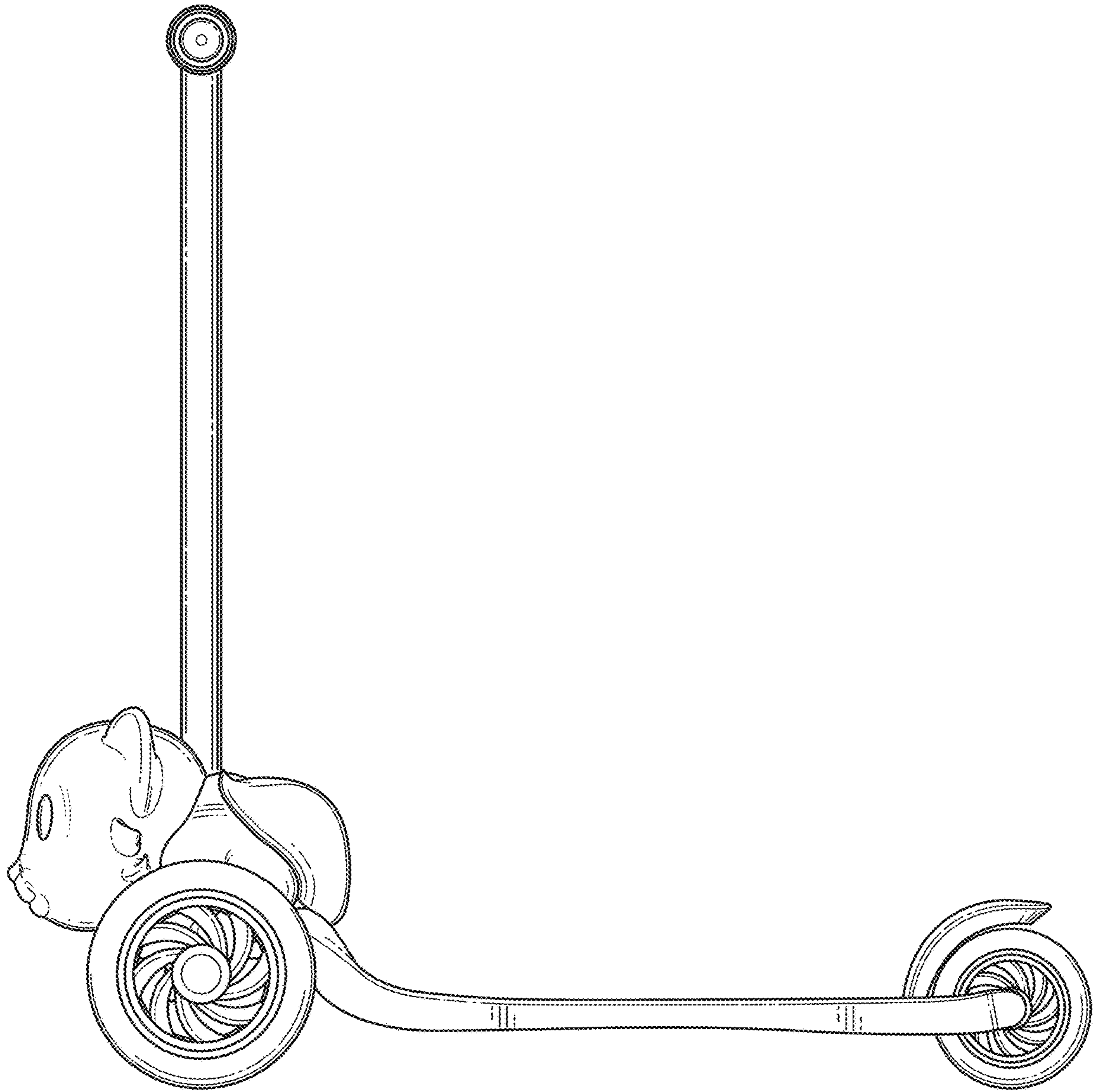


FIG. 5

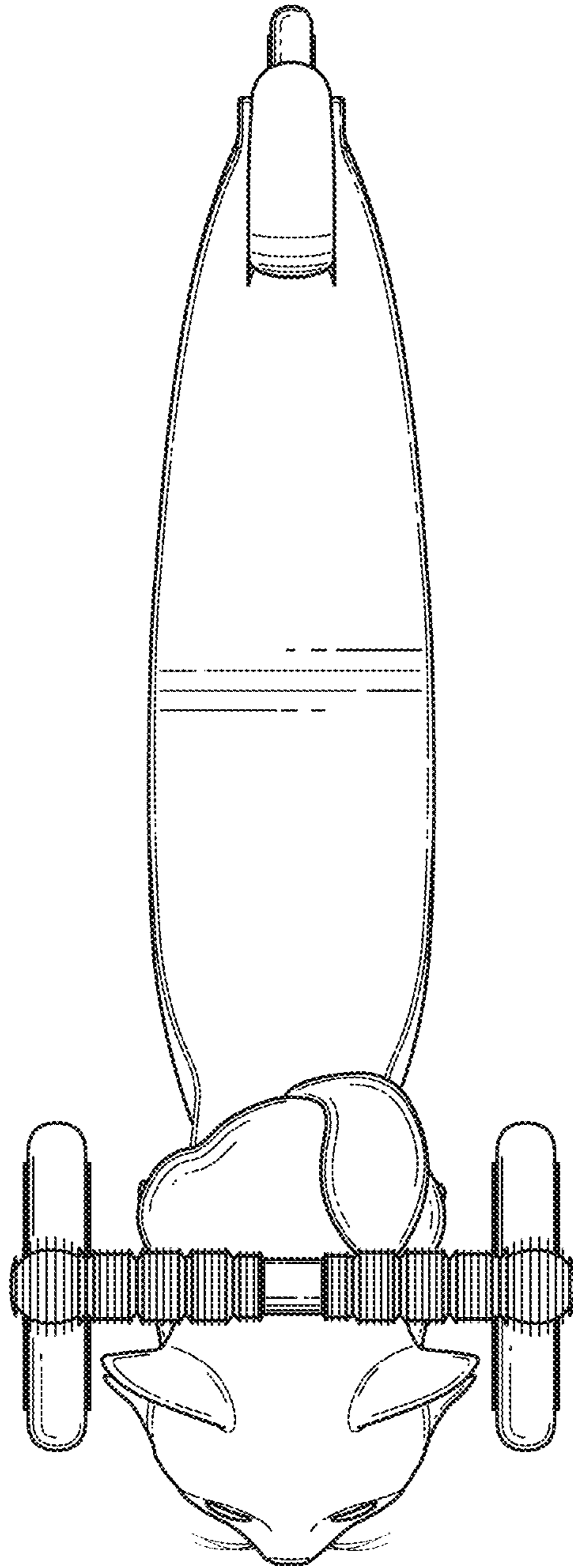


FIG. 6

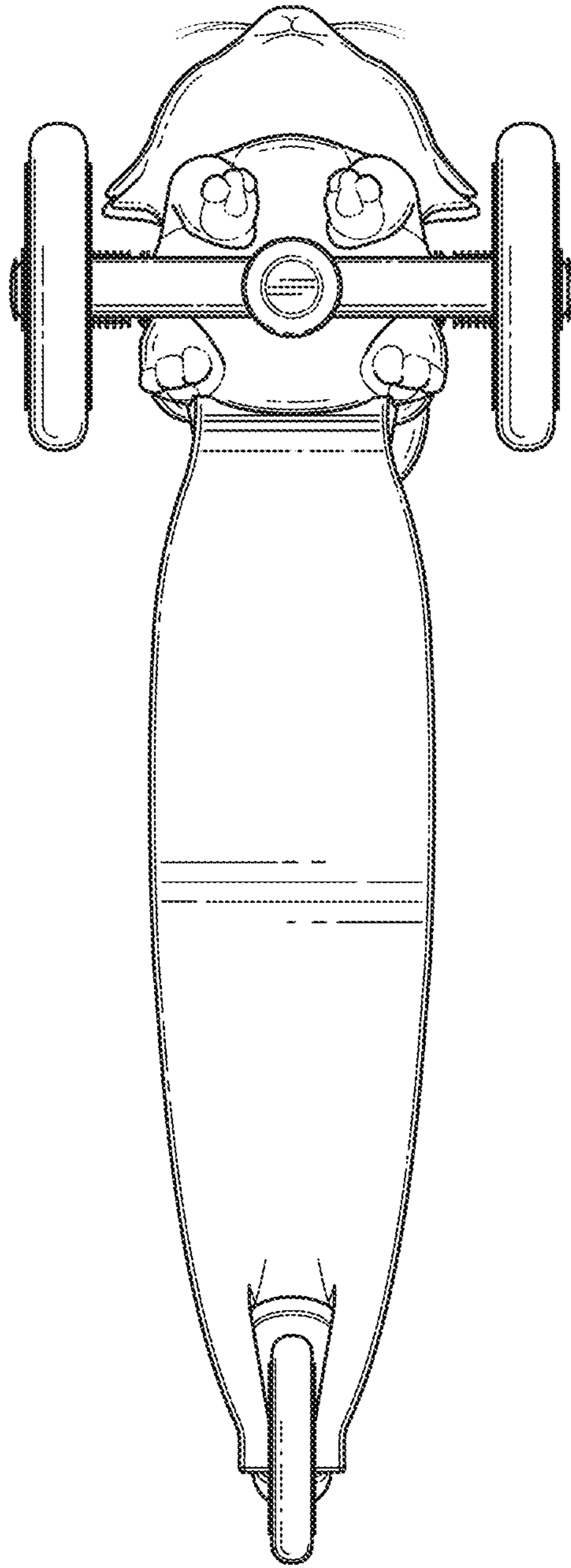


FIG. 7