



US00D921764S

(12) **United States Design Patent**  
**Zhang et al.**

(10) **Patent No.:** **US D921,764 S**

(45) **Date of Patent:** **\*\* Jun. 8, 2021**

(54) **SCOOTER FOR KIDS**

(71) Applicant: **Shenzhen Chitado Technology CO., LTD.**, Guangdong (CN)

(72) Inventors: **Dianxuan Zhang**, Guangdong (CN); **Fuqi Zhou**, Guangdong (CN); **Dengjin Zhou**, Guangdong (CN); **Yang Zhang**, Guangdong (CN); **Huihai Zeng**, Guangdong (CN)

(73) Assignee: **Shenzhen Chitado Technology Co. Ltd.**

(\*\*) Term: **15 Years**

(21) Appl. No.: **29/707,899**

(22) Filed: **Oct. 1, 2019**

(51) **LOC (13) Cl.** ..... **21-01**

(52) **U.S. Cl.**  
USPC ..... **D21/423**

(58) **Field of Classification Search**  
USPC ..... D21/419, 421, 423, 432, 435, 760, 763, D21/765, 771; D12/1, 110  
CPC ..... B62K 3/002; B62K 9/00; B62K 2202/00; B62K 15/00; B62K 2015/001; B62K 2015/003; B60Y 2200/126  
See application file for complete search history.

(56) **References Cited**

**U.S. PATENT DOCUMENTS**

D829,826 S \* 10/2018 Liu ..... D21/423  
D834,097 S \* 11/2018 Lin ..... D21/423

D849,153 S \* 5/2019 Zhang ..... D21/423  
D858,647 S \* 9/2019 Liu ..... D21/423  
D872,191 S \* 1/2020 Lee ..... D21/423  
D886,907 S \* 6/2020 Gao ..... D21/423  
D897,446 S \* 9/2020 Lee ..... D21/423  
D900,237 S \* 10/2020 Lee ..... D21/423  
D905,793 S \* 12/2020 Yang ..... D21/423  
D905,794 S \* 12/2020 Liu ..... D21/423  
2020/0283086 A1 \* 9/2020 Ulmen ..... B62M 6/65

\* cited by examiner

*Primary Examiner* — Cynthia M. Chin

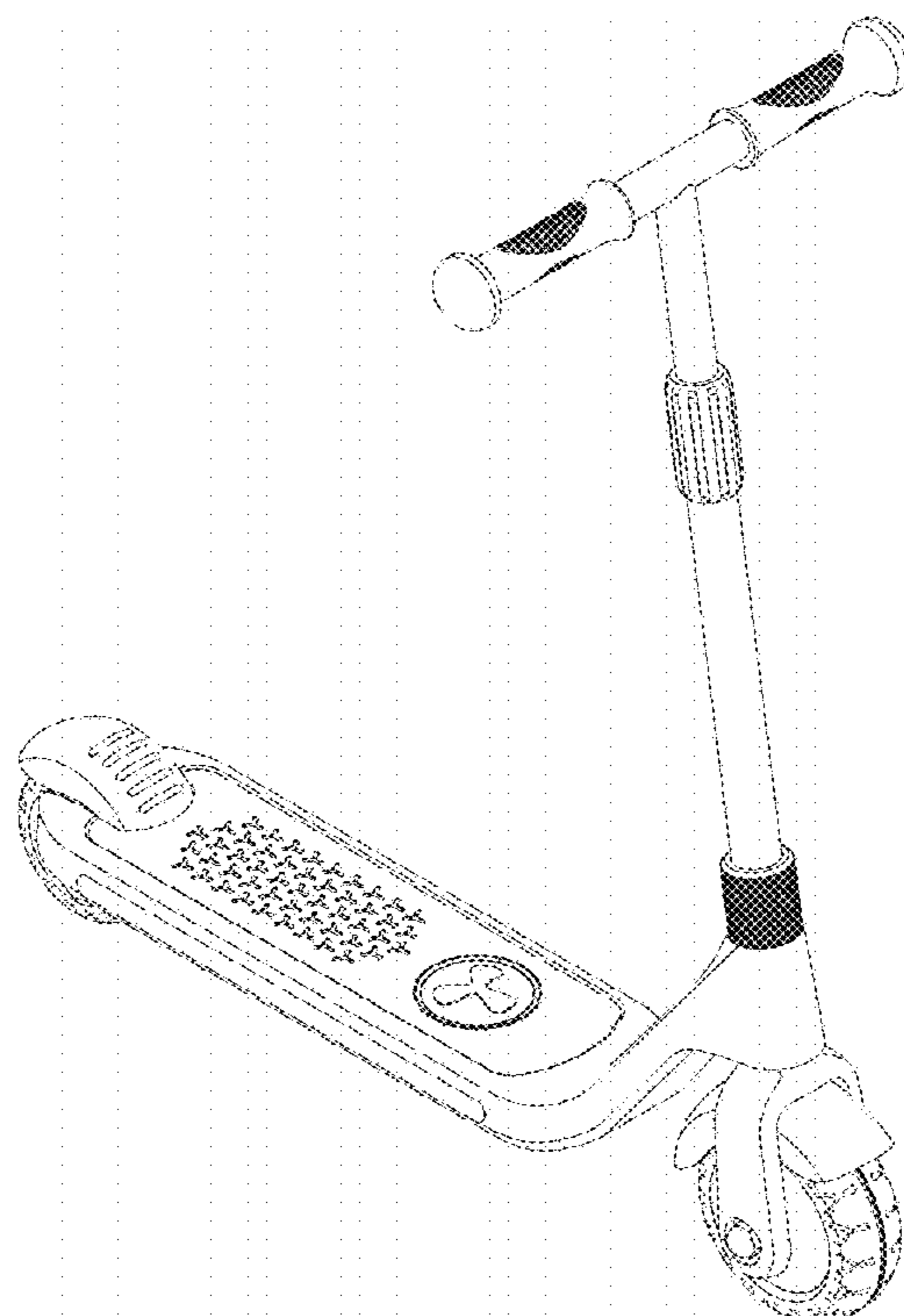
(57) **CLAIM**

The ornamental design for a scooter for kids, as shown and described.

**DESCRIPTION**

FIG. 1 is a front view of a scooter for kids, showing my new design;  
FIG. 2 is a back view thereof;  
FIG. 3 is a left side view thereof;  
FIG. 4 is a right side view thereof;  
FIG. 5 is a top view thereof;  
FIG. 6 is a bottom view thereof;  
FIG. 7 is a perspective view thereof; and,  
FIG. 8 is another perspective view thereof.  
The broken line shown in the drawings are for the purpose of illustrating portions of the article and form no part of the claimed design.

**1 Claim, 8 Drawing Sheets**



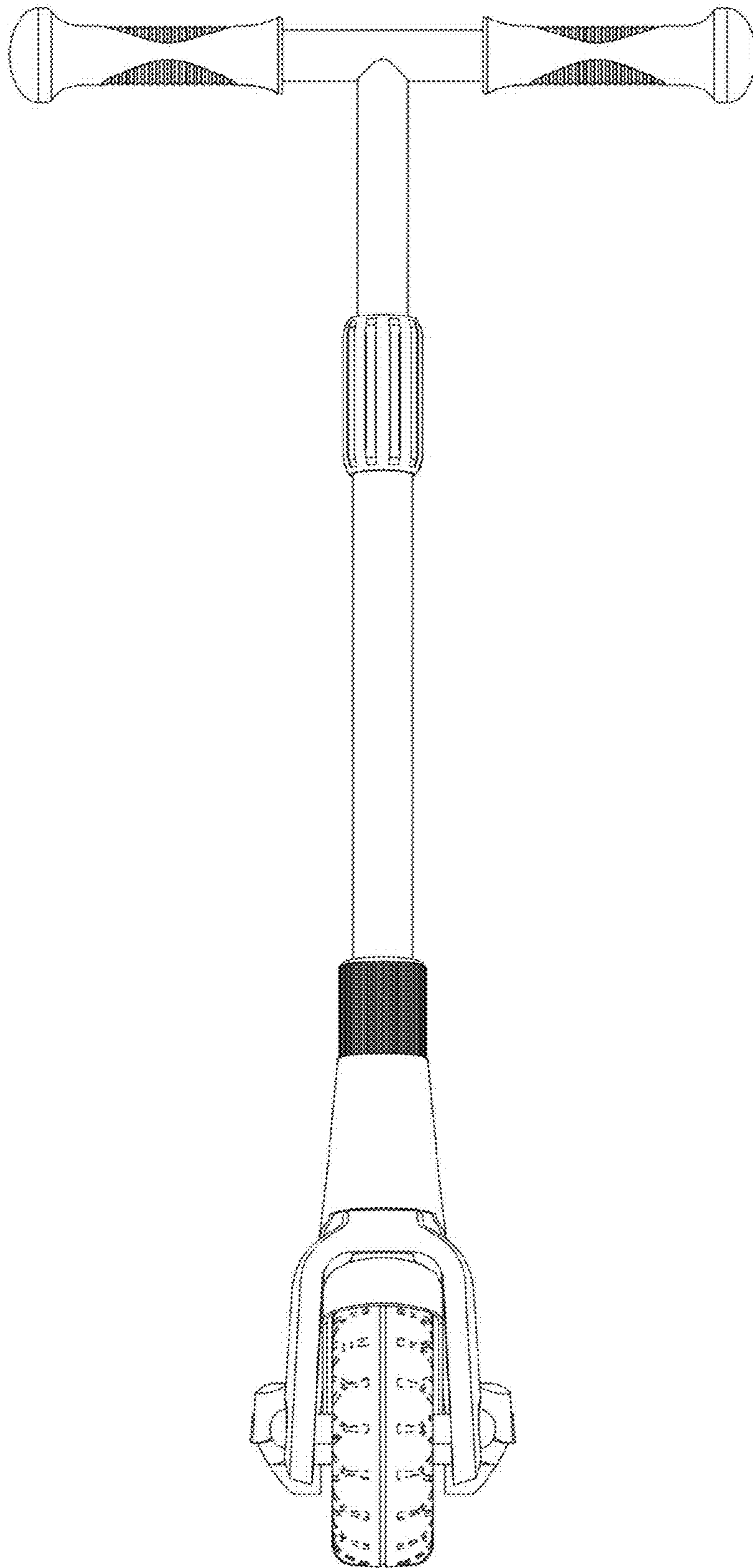


FIG.1

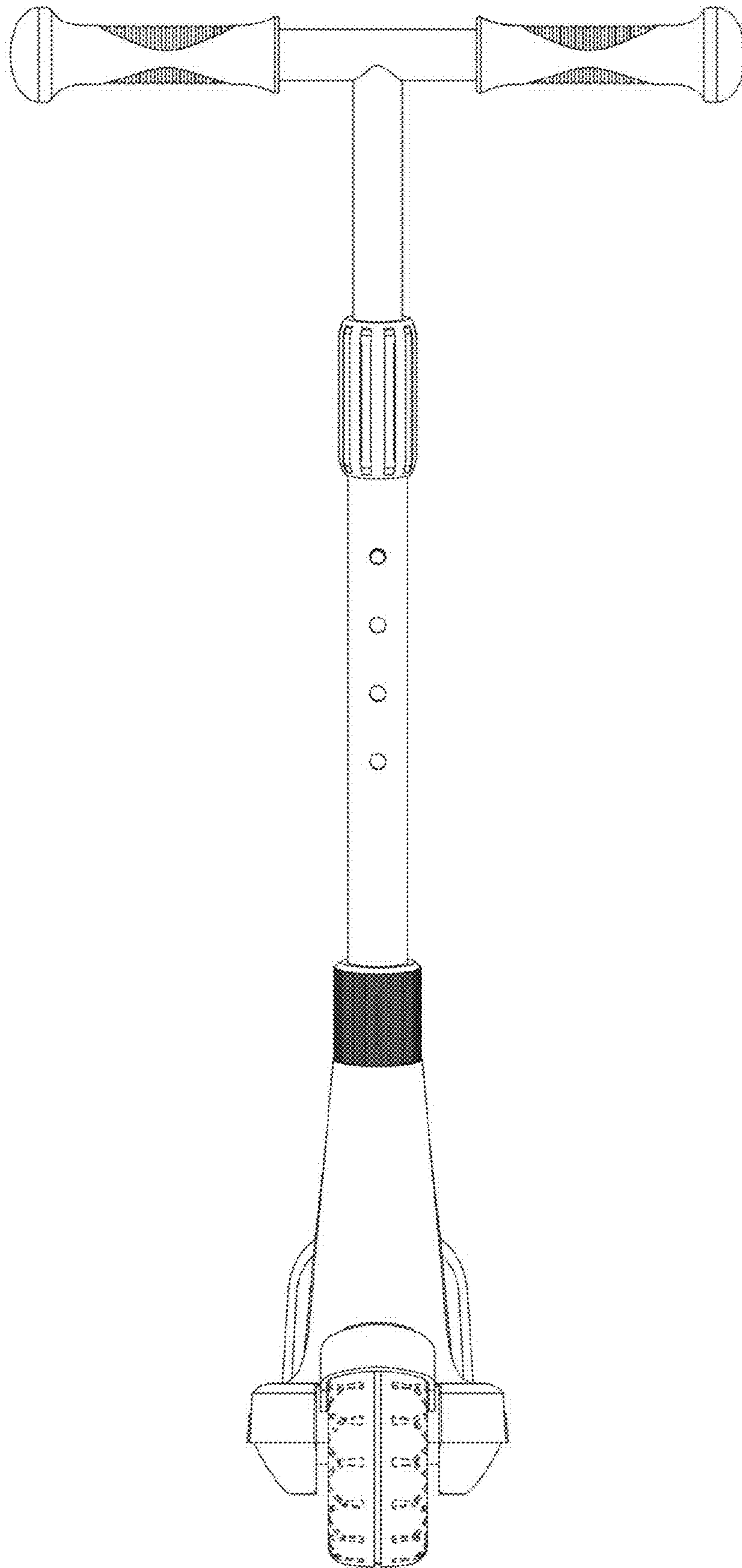


FIG.2

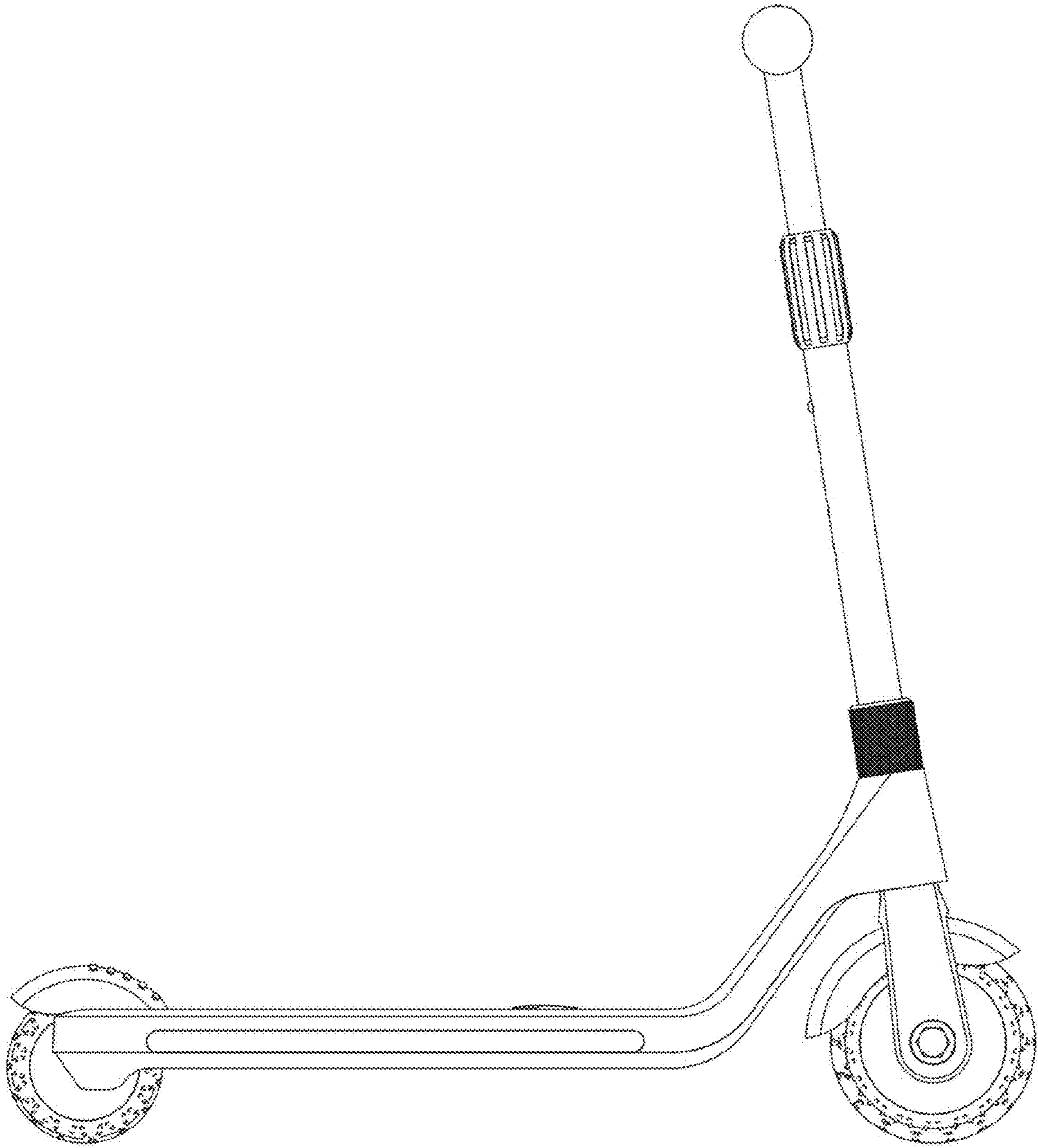


FIG.3

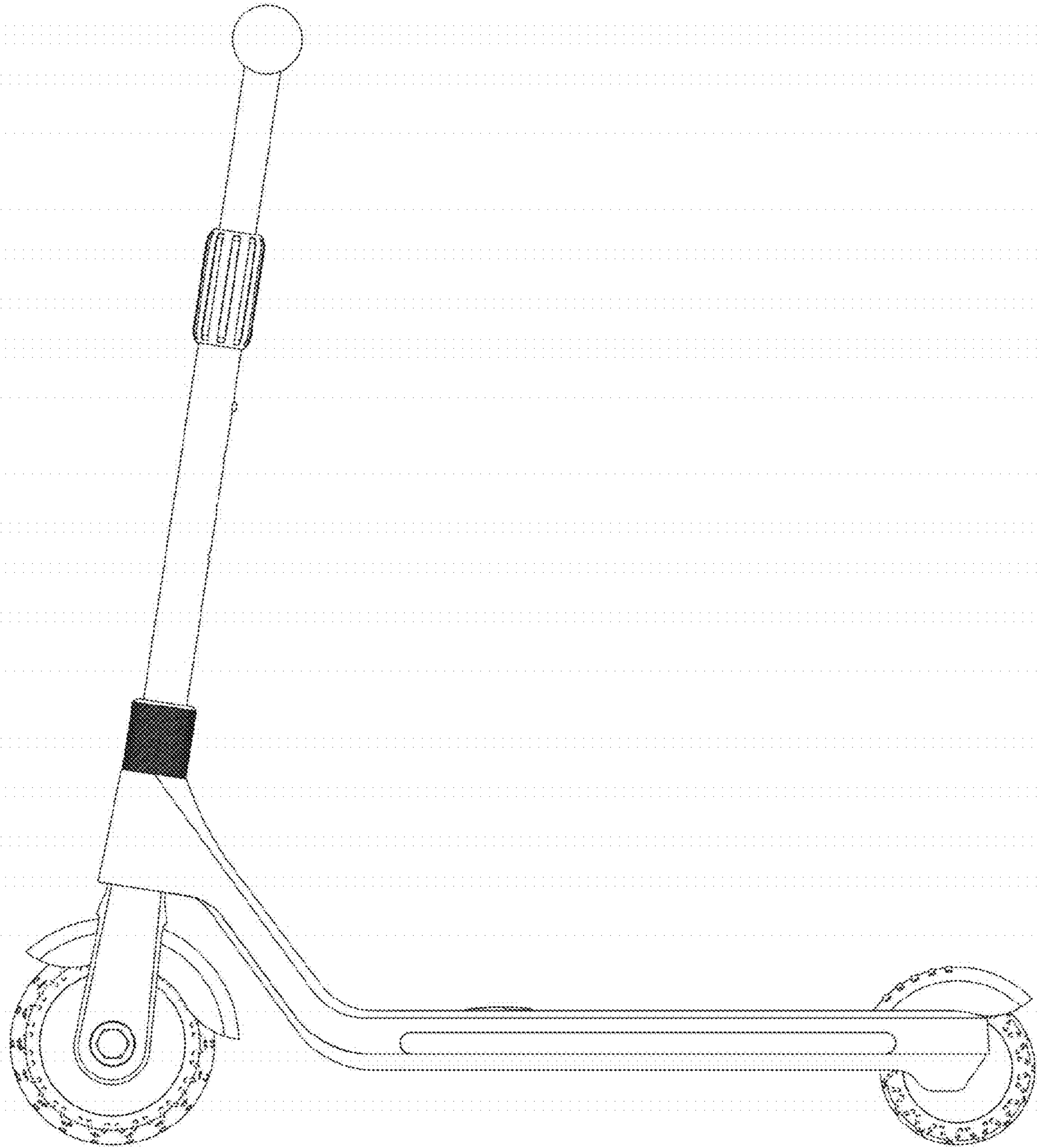


FIG.4

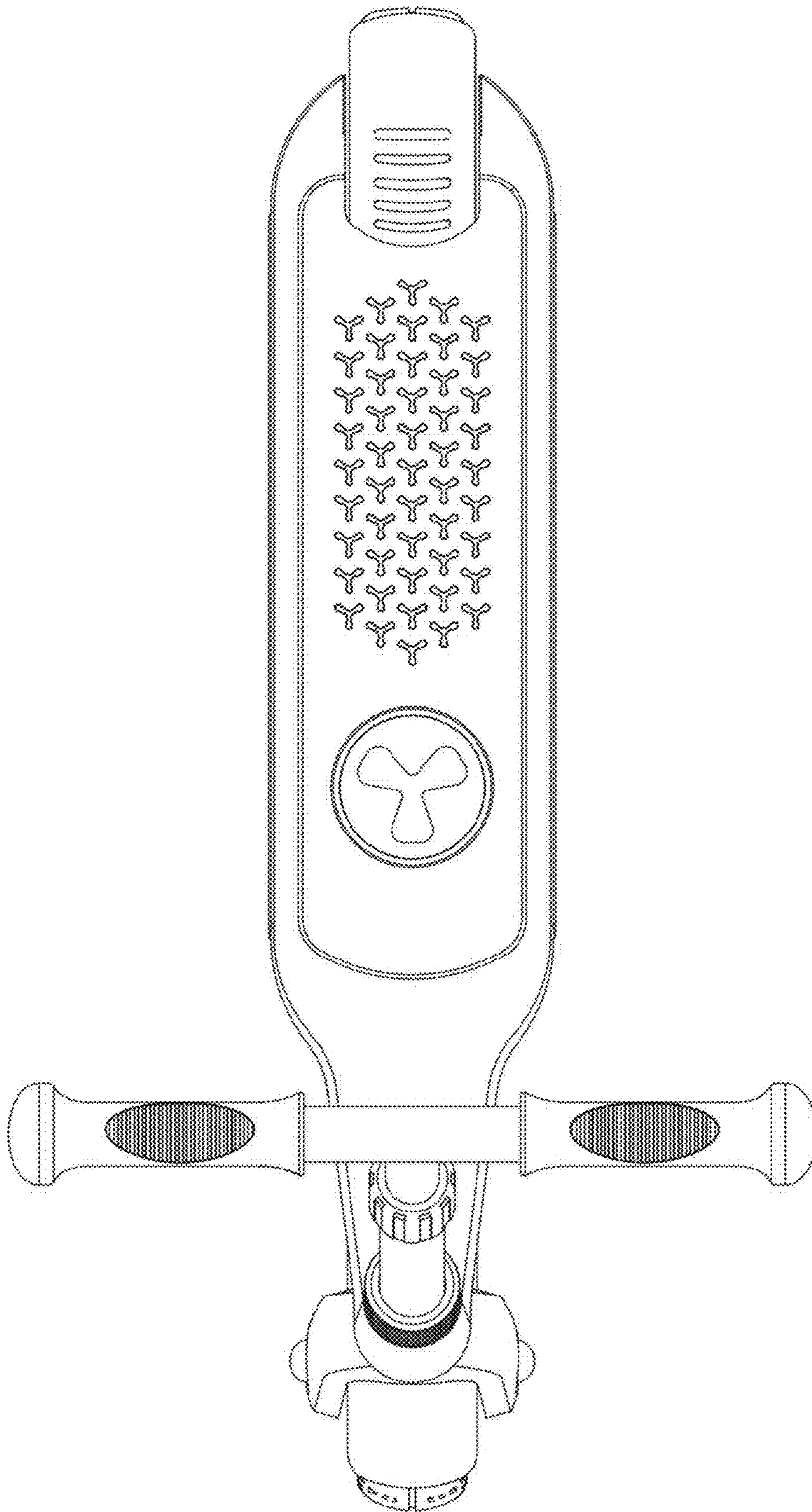


FIG.5

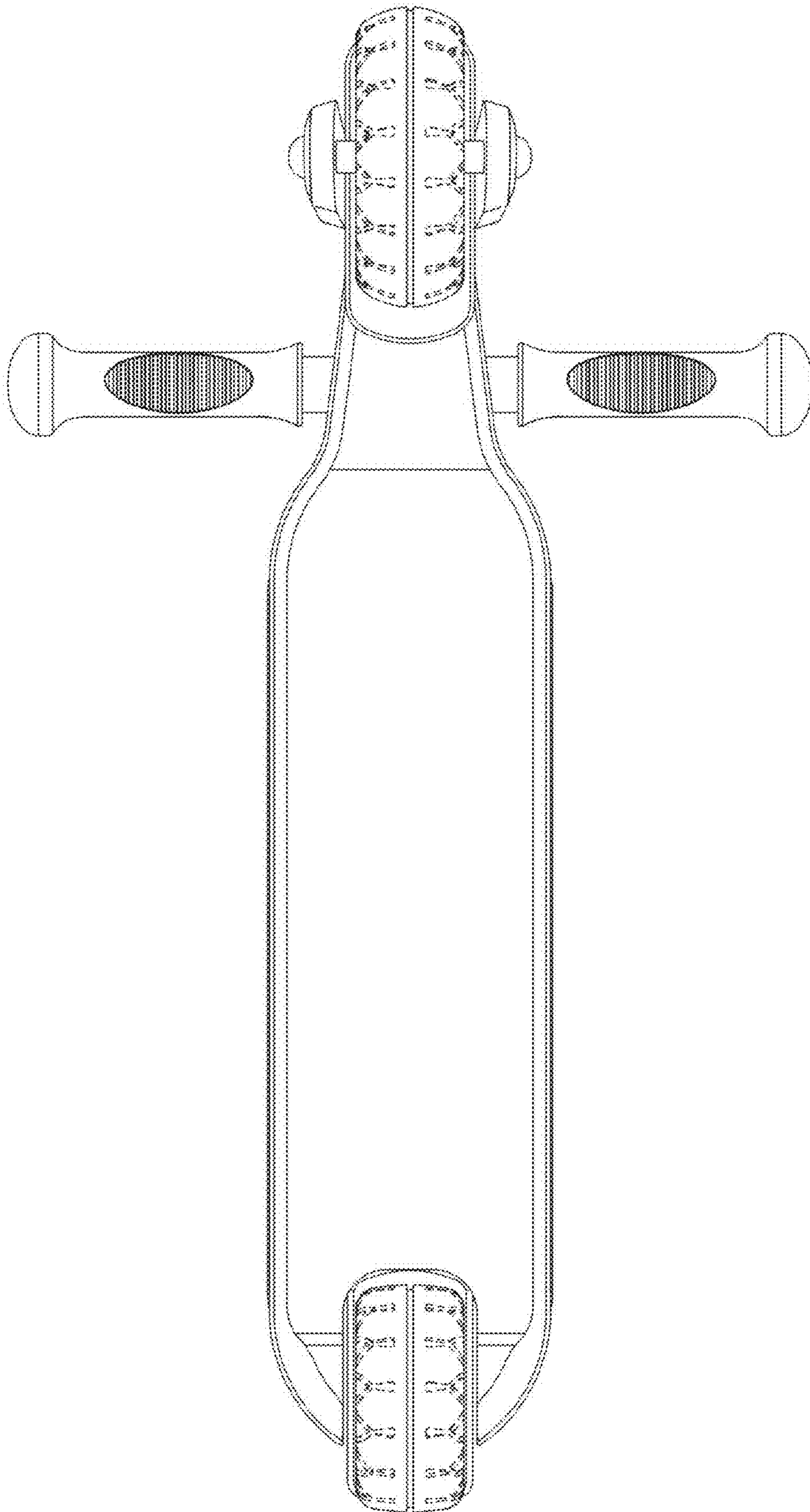


FIG.6



FIG. 7



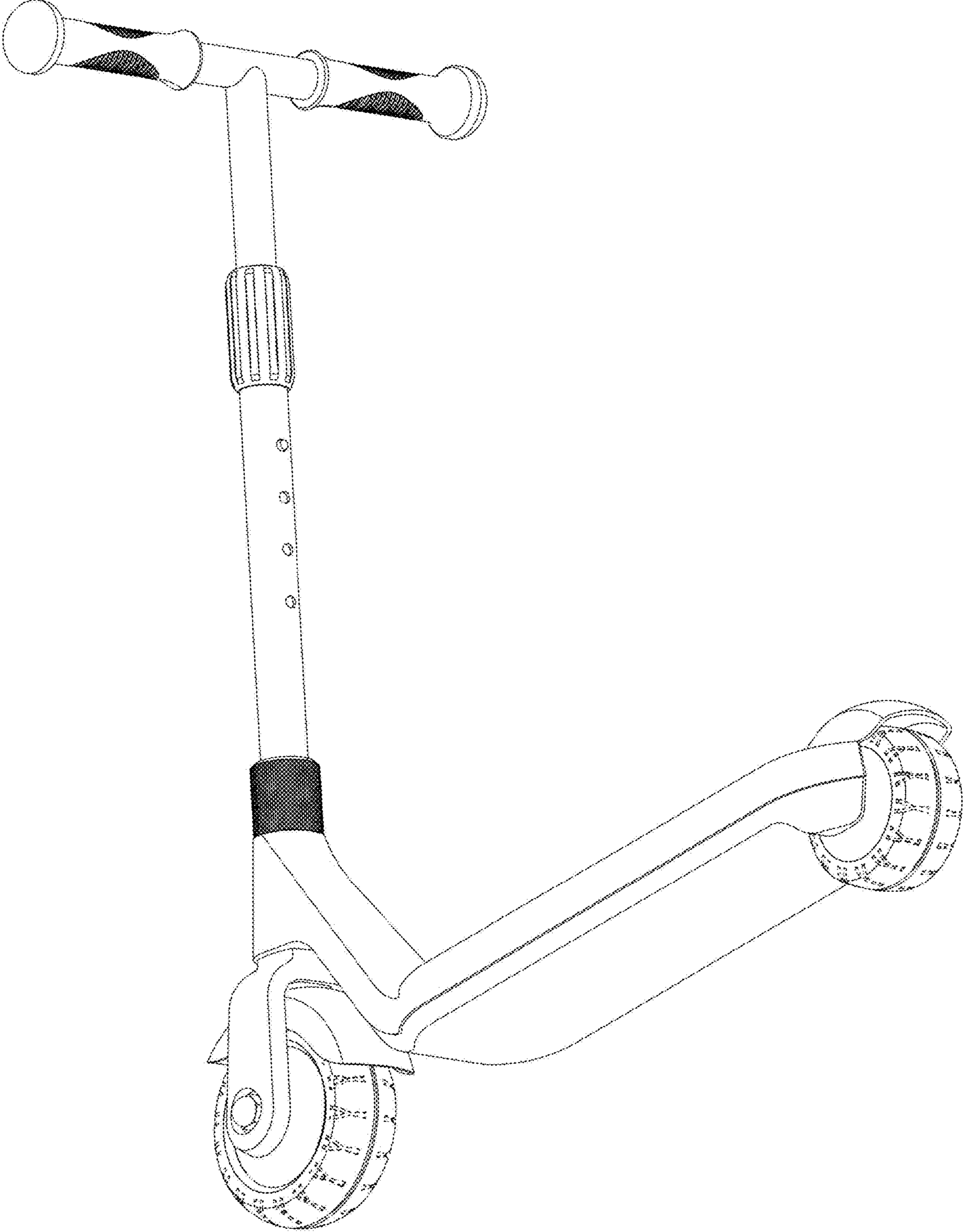


FIG.8