

US00D921763S

(12) **United States Design Patent** (10) **Patent No.:** **US D921,763 S**
Aslan et al. (45) **Date of Patent:** **** Jun. 8, 2021**

(54) **INFANT ACTIVITY CENTER**
(71) Applicant: **Skip Hop, Inc.**, New York, NY (US)
(72) Inventors: **Adlin Aslan**, New York, NY (US);
Benjamin Bearsch, Brooklyn, NY (US)
(73) Assignee: **SKIP HOP, INC.**, New York, NY (US)
(**) Term: **15 Years**
(21) Appl. No.: **29/649,998**
(22) Filed: **Jun. 4, 2018**
(51) **LOC (13) Cl.** **21-01**
(52) **U.S. Cl.**
USPC **D21/412**; D21/476; D6/333; D6/334;
D12/133
(58) **Field of Classification Search**
USPC D21/398, 405–408, 412, 414, 415, 419,
D21/421, 465–468, 474–476; D6/331,
D6/333, 335, 339, 674.1, 682, 682.1,
D6/682.2, 686, 688, 688.24, 707.1,
D6/707.11, 707.16, 718.26, 718.27;
D12/128–130, 133; 446/29, 227, 396;
472/135; 297/136, 274, DIG. 11;
280/87.051
CPC A63H 33/006; A63H 33/008; A47D 1/008;
A47D 3/001; A47D 13/04; A47D 13/043;
A47D 13/107; A47D 15/00; B62B
3/1426; B62B 29/26
See application file for complete search history.

(56) **References Cited**
U.S. PATENT DOCUMENTS
162,153 A * 4/1875 Clark A47D 13/043
297/6
4,743,008 A * 5/1988 Fermaglich A47D 13/043
297/137
5,518,475 A * 5/1996 Garland A47D 13/043
482/66
D391,309 S * 2/1998 Meeker D21/412

D395,467 S * 6/1998 Bellows D12/130
6,386,563 B1 * 5/2002 Chen A47D 13/043
280/87.051
D573,664 S * 7/2008 Lu D21/476
D630,259 S * 1/2011 Lu D12/130
D868,900 S * 12/2019 Healy A47D 3/001
D21/419
2004/0075231 A1 * 4/2004 Hou A47D 13/043
280/87.051

(Continued)

FOREIGN PATENT DOCUMENTS

CA 2356501 A1 * 2/2002 A47D 3/005
CN 301044181 * 10/2009

(Continued)

Primary Examiner — Catherine A Tuttle
(74) *Attorney, Agent, or Firm* — Stephen J. Weyer, Esq.;
Stites & Harbison, PLLC

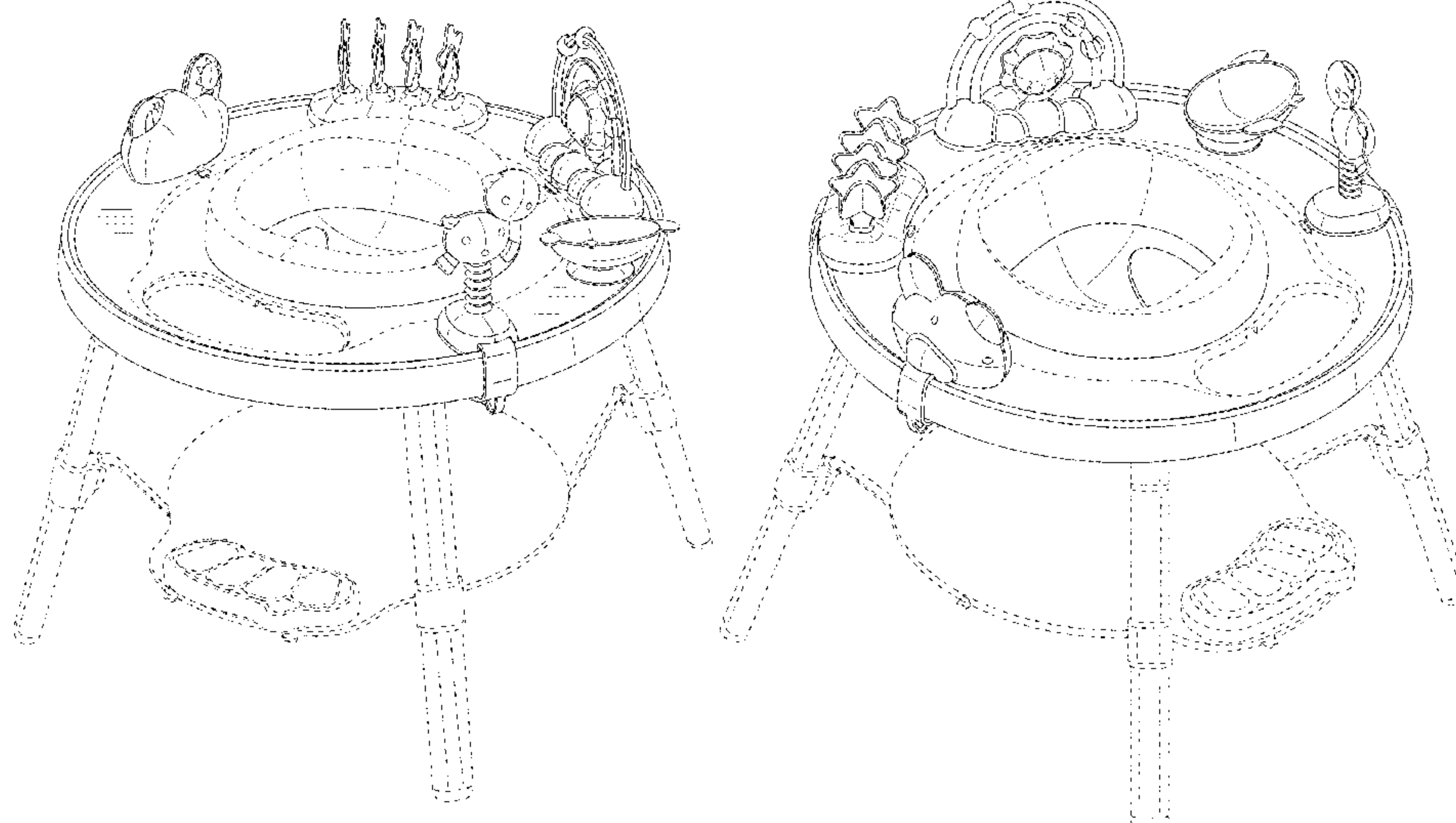
(57) **CLAIM**

The ornamental design for an infant activity center, as shown and described.

DESCRIPTION

FIG. 1 is a top, front, and right side perspective view of the infant activity center embodying our design.
FIG. 2 is a top plan view thereof.
FIG. 3 is a front right elevation view thereof.
FIG. 4 is a front left elevation view thereof.
FIG. 5 is a back left elevation view thereof.
FIG. 6 is a back right elevation view thereof.
FIG. 7 is a top, front, and left side perspective view thereof; and,
FIG. 8 is a top, rear, and left side perspective view thereof.
The broken lines in the drawing views are included for illustrating portions of the infant activity center that form no part of the claimed design.

1 Claim, 8 Drawing Sheets



(56)

References Cited

U.S. PATENT DOCUMENTS

2005/0140185 A1* 6/2005 McClintock A47D 3/00
297/136
2005/0264088 A1* 12/2005 Tadin A47D 3/00
297/488
2008/0113581 A1* 5/2008 Jazenski A63H 33/006
446/227
2011/0241387 A1* 10/2011 Lundeen A47D 3/00
297/16.1
2013/0072081 A1* 3/2013 Goszewski A47D 13/107
446/71
2016/0088954 A1* 3/2016 Burns A47D 1/008
297/258.1
2017/0232355 A1* 8/2017 Healy A47D 3/001
446/227
2019/0069692 A1* 3/2019 Healy A63H 33/006

FOREIGN PATENT DOCUMENTS

CN 301161383 * 3/2010
CN 301161385 * 3/2010
CN 303637661 * 4/2016
CN 304648618 * 5/2018
WO WO-2009079599 A2 * 6/2009 A63H 33/006
WO WO-2012125970 A1 * 9/2012 A47D 1/008

* cited by examiner

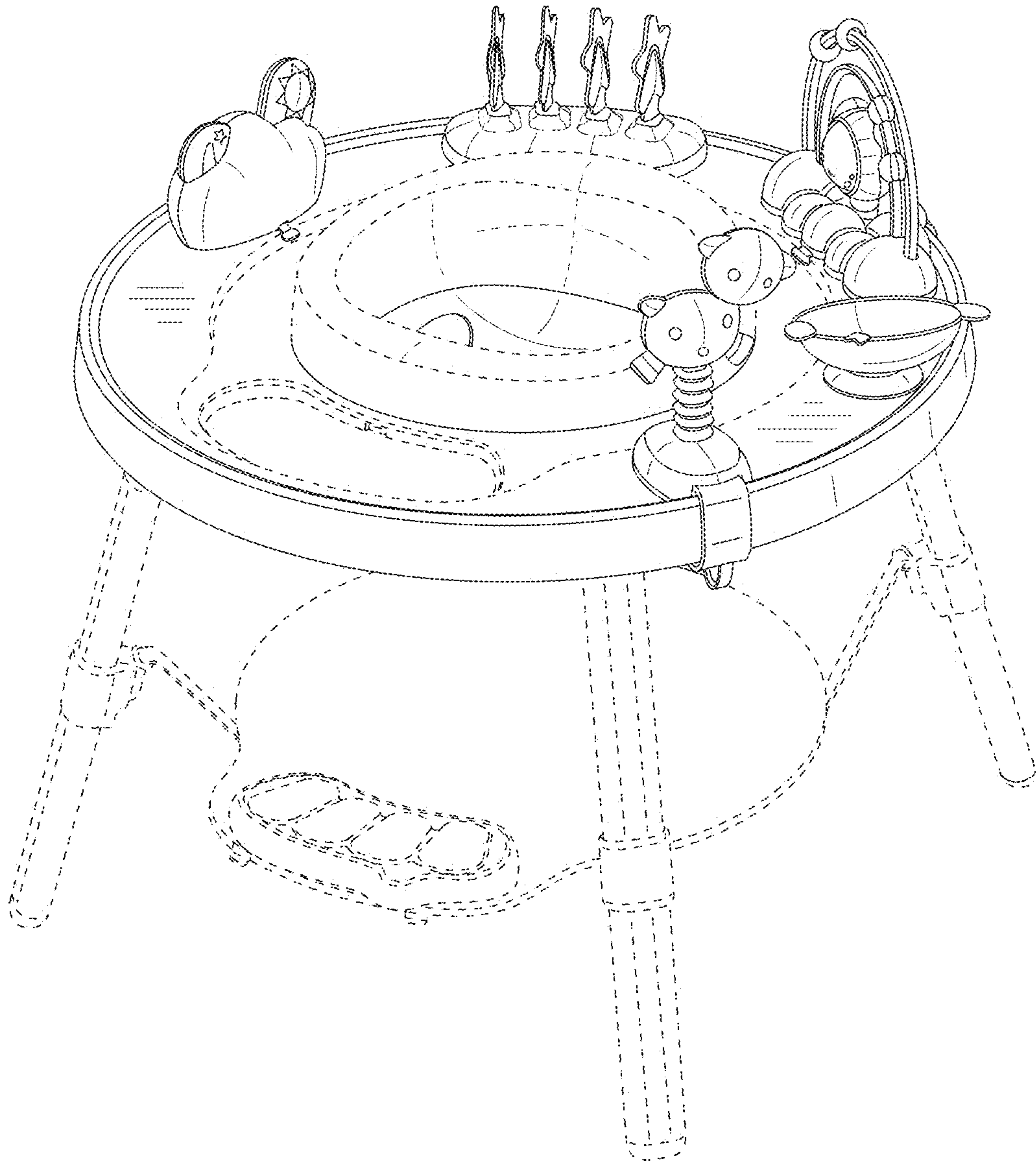


FIG. 1

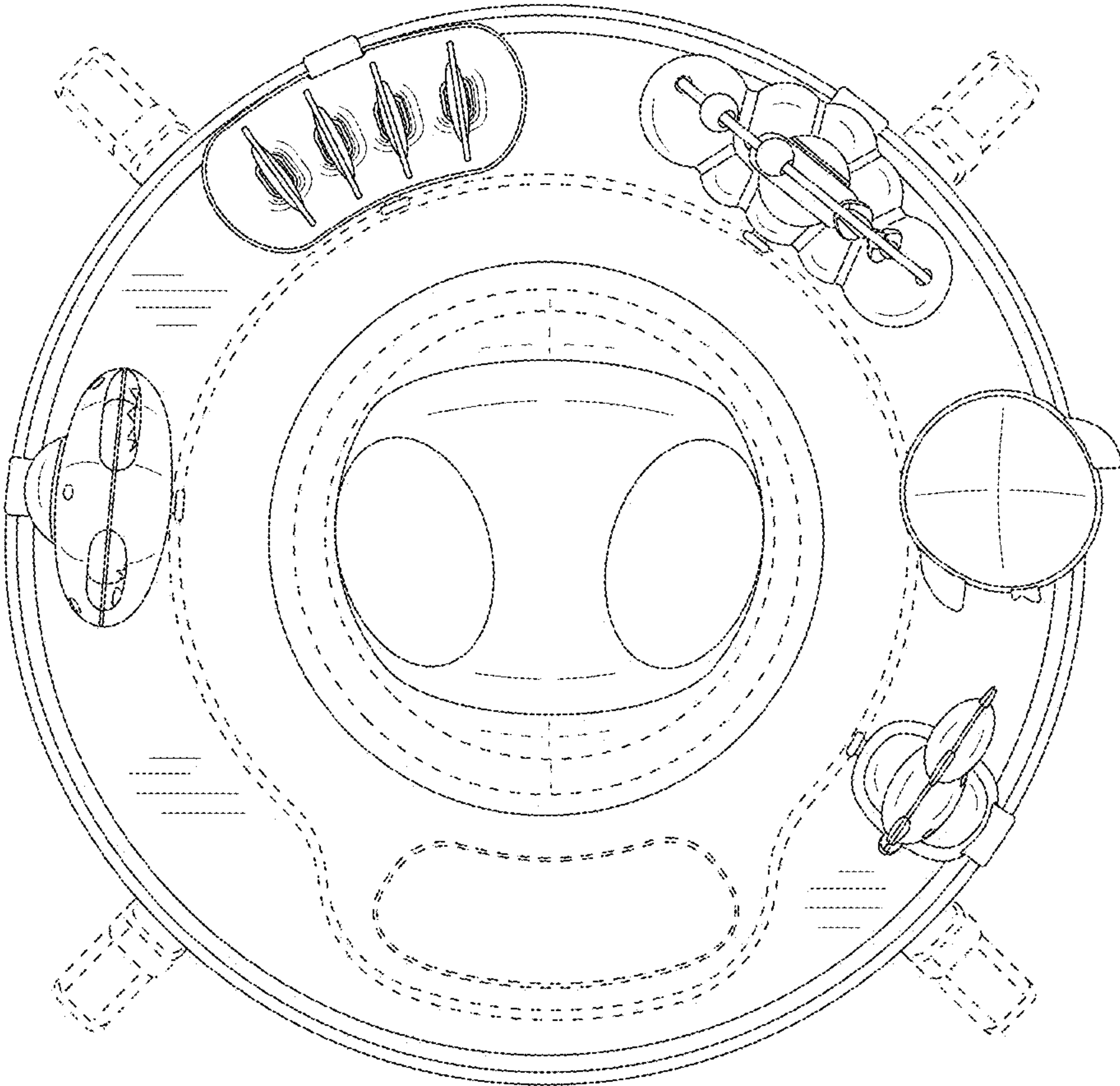


FIG. 2

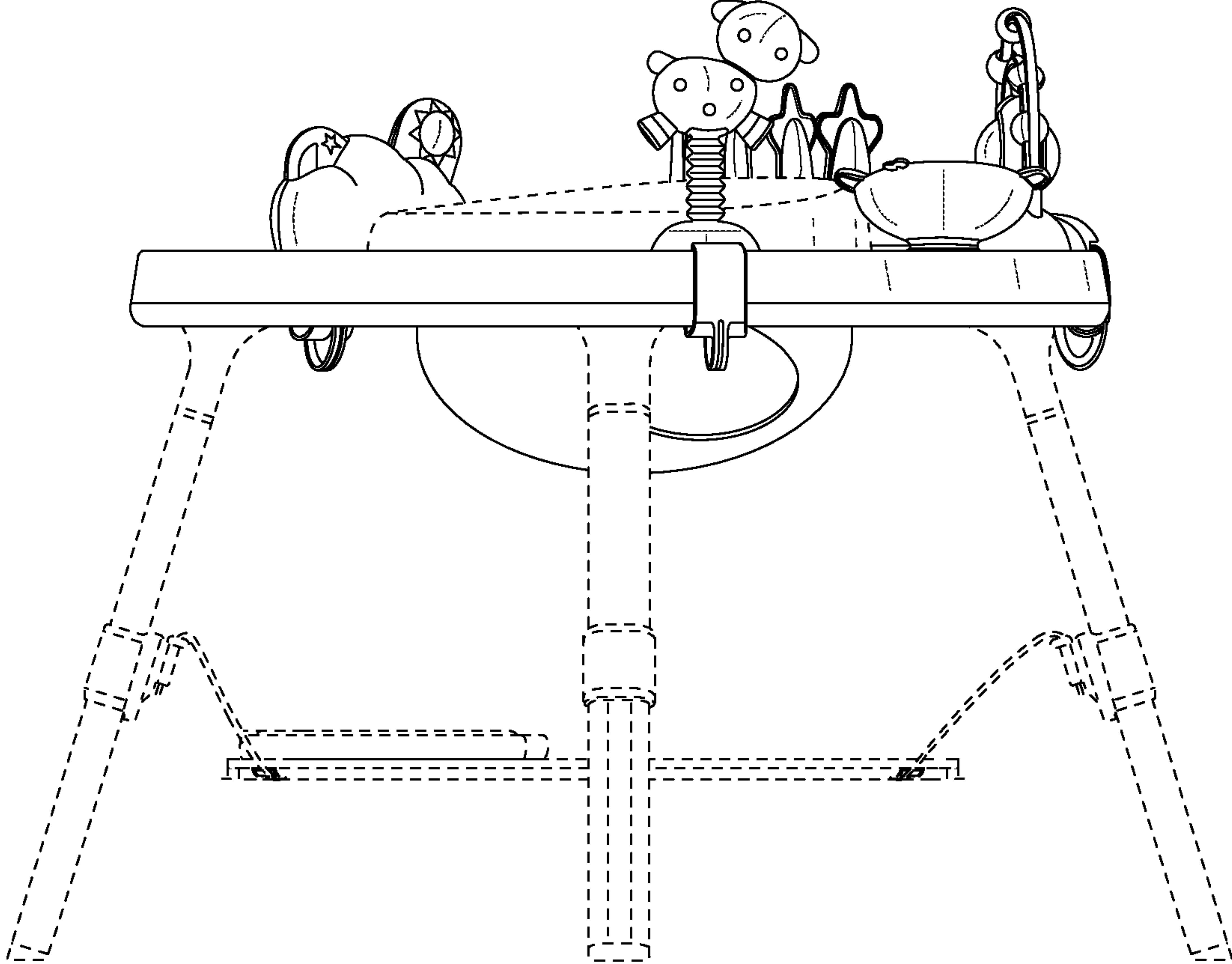


FIG. 3

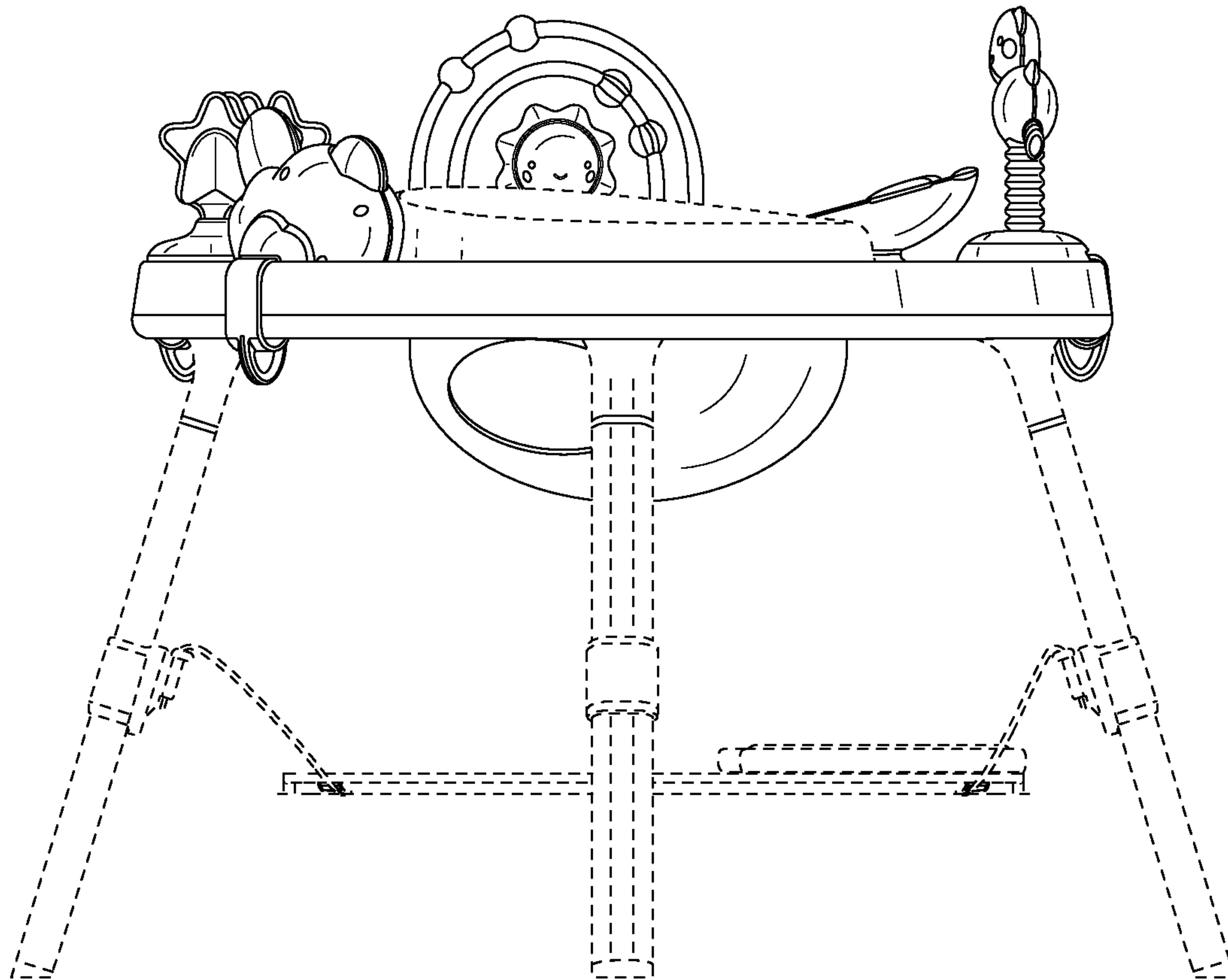


FIG. 4

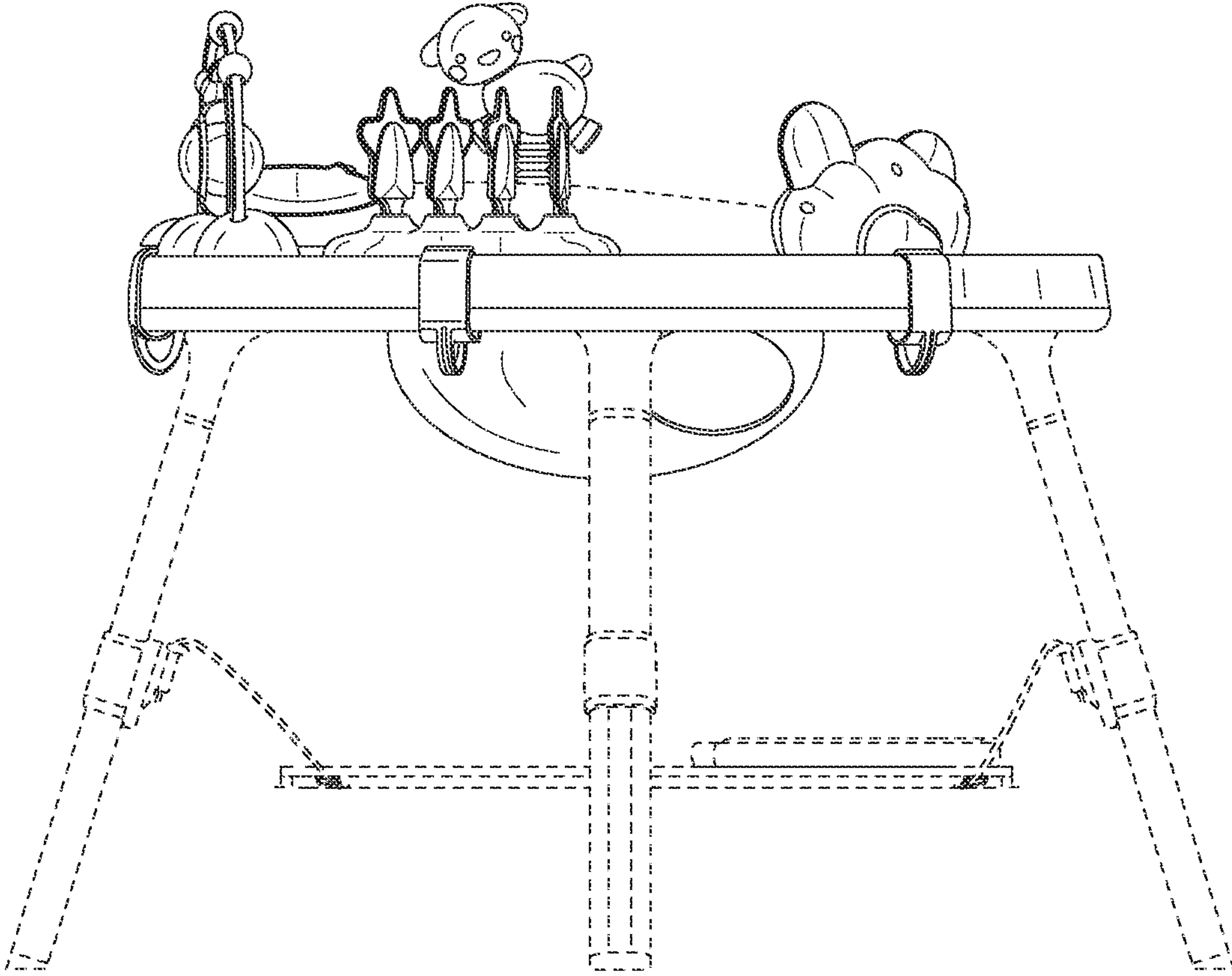


FIG. 5

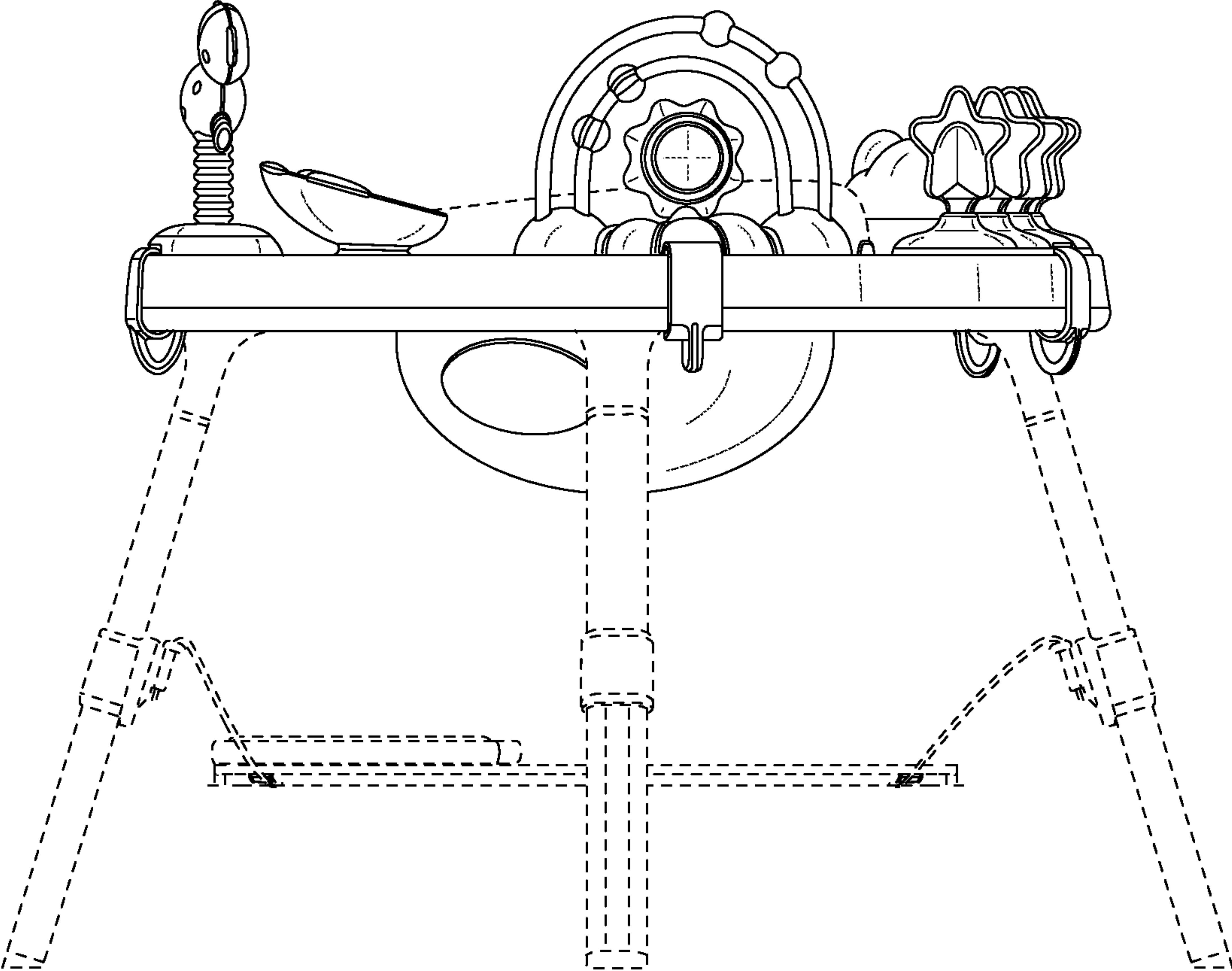


FIG. 6

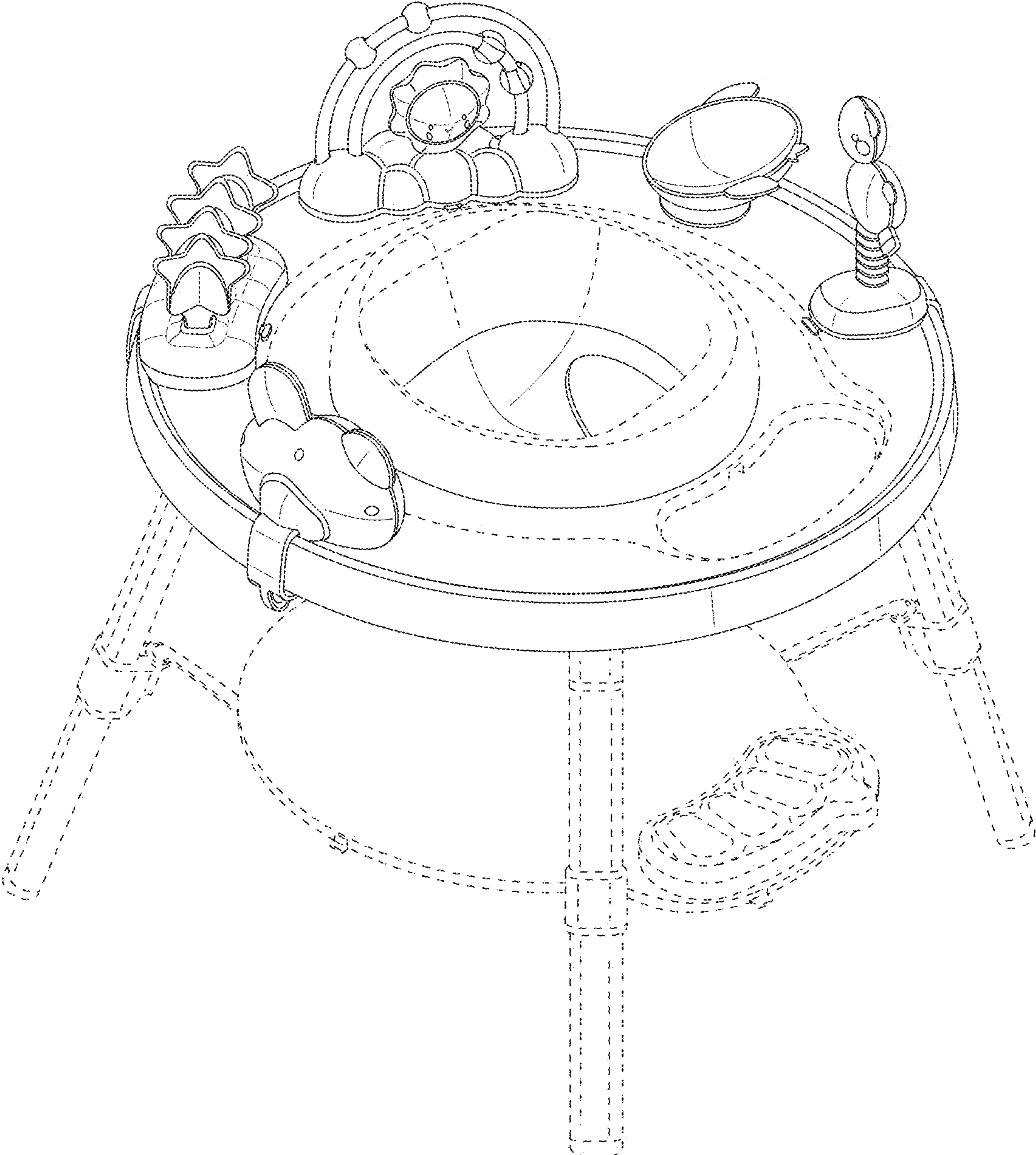


FIG. 7

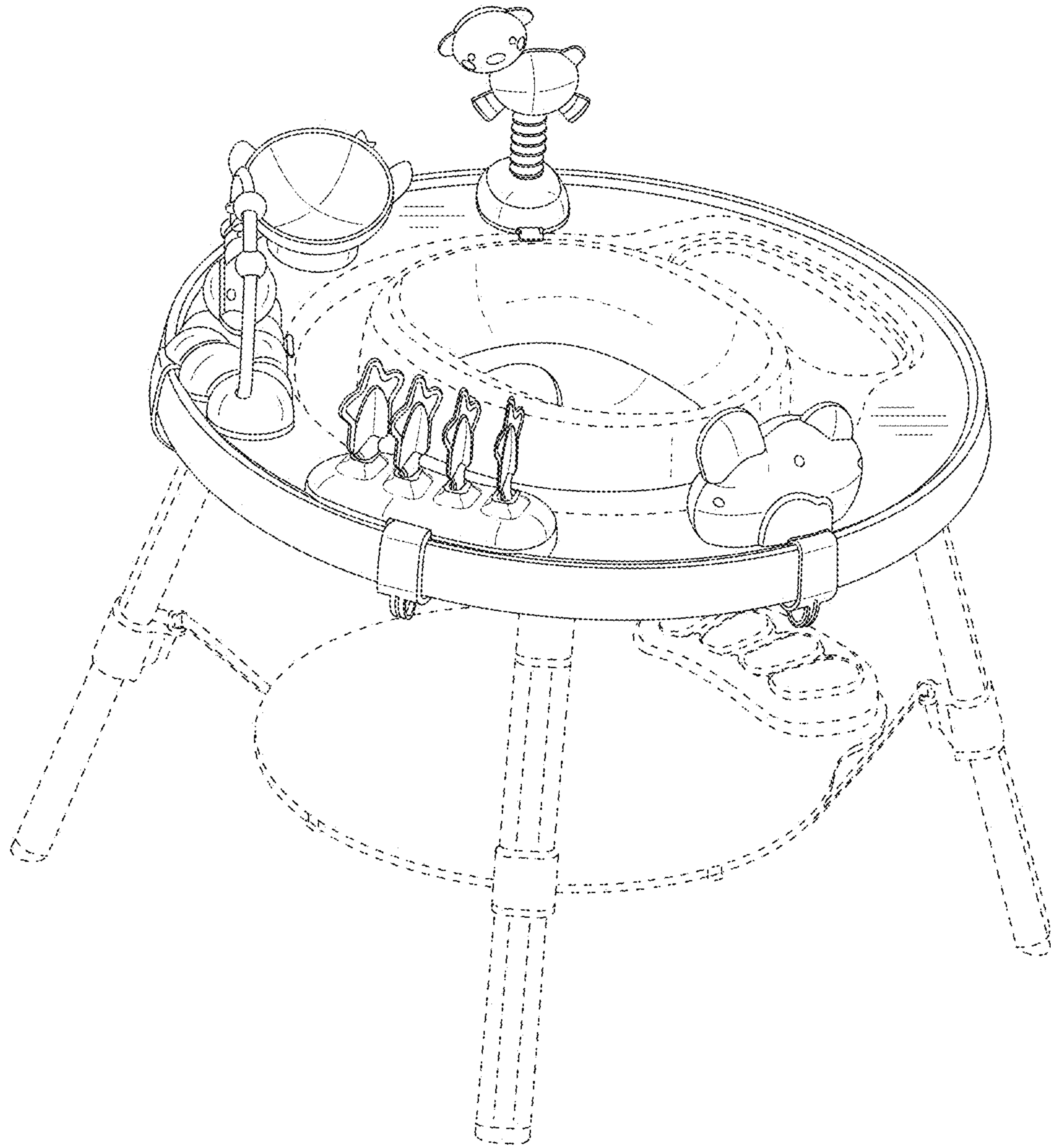


FIG. 8