



US00D921760S

(12) **United States Design Patent** (10) **Patent No.:** **US D921,760 S**
Ricci et al. (45) **Date of Patent:** **** Jun. 8, 2021**

(54) **COMBINED SHELF TALKER WITH CONNECTING TABS**

6,341,755 B1 1/2002 Kump
D453,798 S * 2/2002 Gray D20/43
6,354,546 B1 3/2002 Mueller

(Continued)

(71) Applicant: **Dana Industries Inc.**, Etobicoke (CA)

Primary Examiner — Mary Ann Calabrese

(72) Inventors: **John Ricci**, Kleinburg (CA); **Frank Borges**, Carlisle (CA)

Assistant Examiner — Catherine Ho

(73) Assignee: **Dana Industries Inc.**, Etobicoke (CA)

(74) *Attorney, Agent, or Firm* — Santosh K. Chari; CPST Intellectual Property Inc.

(**) Term: **15 Years**

(57) **CLAIM**

We claim the ornamental design for a combined shelf talker with connecting tabs, as shown and described.

(21) Appl. No.: **29/660,123**

DESCRIPTION

(22) Filed: **Aug. 17, 2018**

(51) **LOC (13) Cl.** **20-03**

(52) **U.S. Cl.**
USPC **D20/43**

(58) **Field of Classification Search**
USPC D10/109.1, 109.2, 113.4; D11/165, 166, D11/181, 182; D20/10, 19, 21, 29, 37, D20/39, 40, 41, 42, 43, 99
CPC G09F 7/00; G09F 7/12; G09F 7/14; G09F 7/16; G09F 7/18; G09F 2007/122; G09F 2007/1804; G09F 2007/1834; G09F 2007/1886; G09F 9/00; G09F 13/00; G09F 13/02; G09F 13/04; G09F 13/0018; G09F 13/22; G09F 2003/1895; G09F 15/00; G09F 15/0037; G09F 15/02; G09F 15/025; G09F 17/00; G09F 2007/0075; G09F 23/00

See application file for complete search history.

(56) **References Cited**

U.S. PATENT DOCUMENTS

D175,481 S * 8/1955 Slavsky D20/44
4,713,899 A 12/1987 Fast
4,911,392 A 3/1990 Fast
5,722,625 A 3/1998 Kenney
5,921,012 A * 7/1999 Caivano G09F 13/04
40/541

FIG. 1 is a front perspective view of the first embodiment for a combined shelf talker with connecting tabs, showing our new design;

FIG. 2 is a top view thereof;

FIG. 3 is a left side view thereof;

FIG. 4 is a right side view thereof;

FIG. 5 is a front perspective view of the first embodiment for a combined shelf talker with connecting tabs, shown in an environment of use;

FIG. 6 is a top perspective thereof;

FIG. 7 is a front perspective view of the second embodiment for a combined shelf talker with connecting tabs, showing our new design;

FIG. 8 is a top view thereof;

FIG. 9 is a left side view thereof;

FIG. 10 is a right side view thereof;

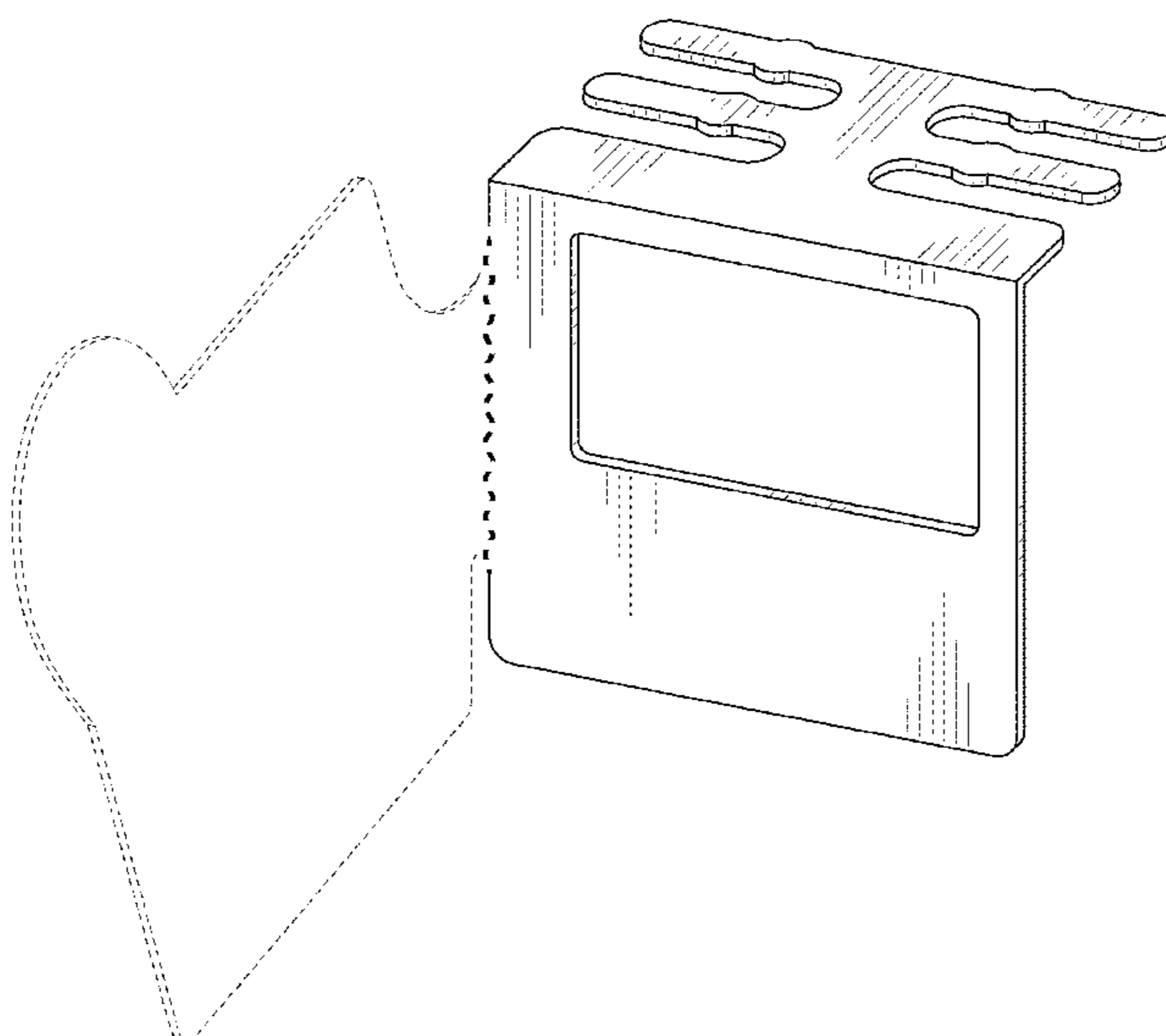
FIG. 11 is a front perspective view of the second embodiment for a combined shelf talker with connecting tabs, shown in an environment of use; and,

FIG. 12 is a top perspective view thereof.

The broken, wavy lines shown in the figures represent boundaries of the claimed design and do not form part of the claimed design.

The bold, wavy lines shown in the figures represent boundaries of the claimed design and do not form part of the claimed design.

1 Claim, 12 Drawing Sheets



(56)

References Cited

U.S. PATENT DOCUMENTS

6,360,465 B1 * 3/2002 Simpson G09F 3/204
40/638
D479,278 S * 9/2003 Nagel D20/43
7,055,274 B2 6/2006 Fast et al.
7,114,277 B2 10/2006 Valiulis et al.
7,322,138 B2 1/2008 Gormley et al.
7,401,430 B2 7/2008 Lindquist et al.
D579,984 S * 11/2008 Bruegmann D20/43
D625,935 S * 10/2010 Theisen D20/43
D627,828 S * 11/2010 Ricci D20/29
D652,873 S * 1/2012 Ricci D20/10
D685,855 S * 7/2013 Hawkins D20/41
D754,251 S * 4/2016 Bigham D20/10
D829,823 S * 10/2018 White D20/43
D846,648 S * 4/2019 Ricci D20/42
2008/0141575 A1 6/2008 Keating

* cited by examiner

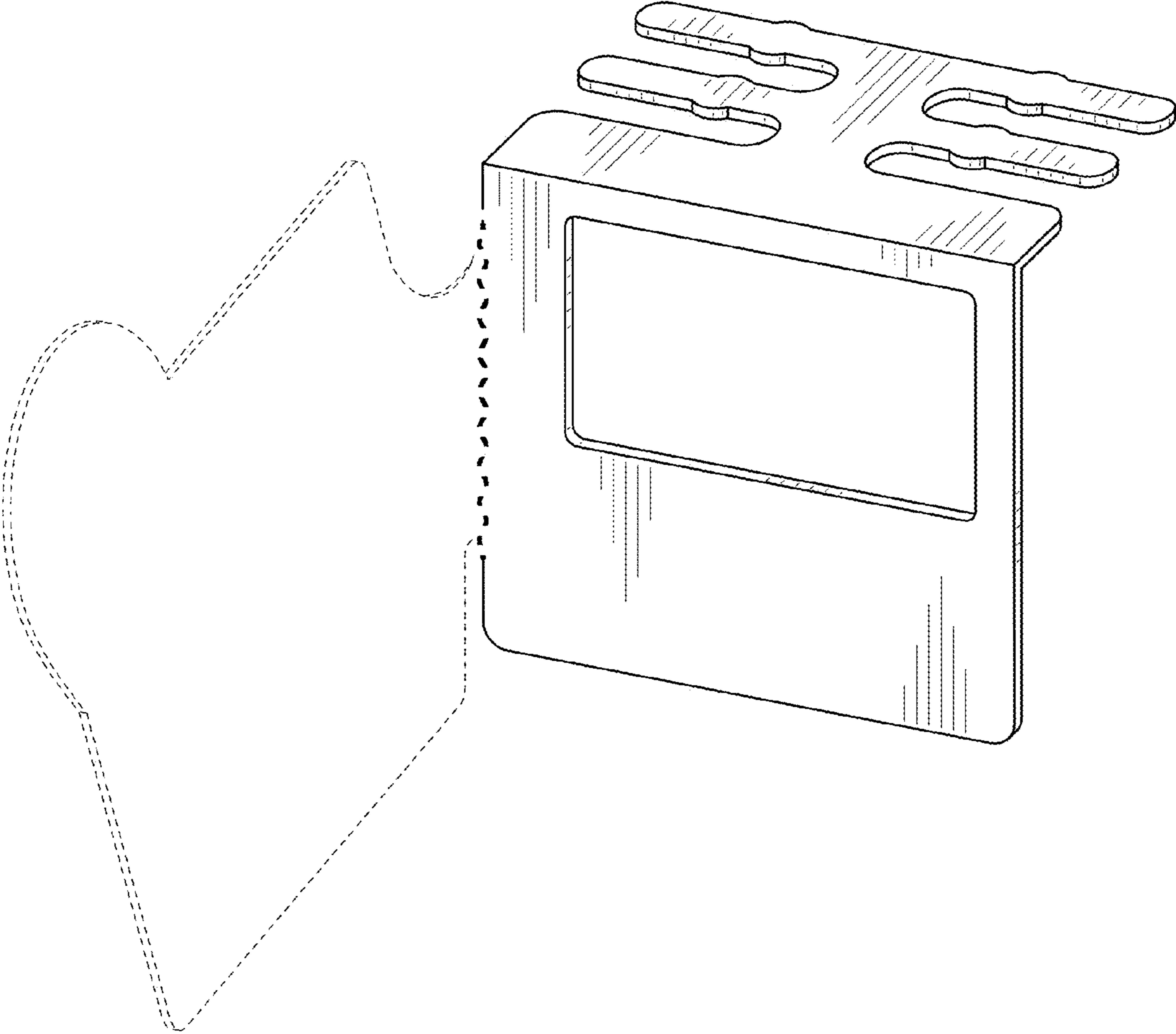


FIG. 1

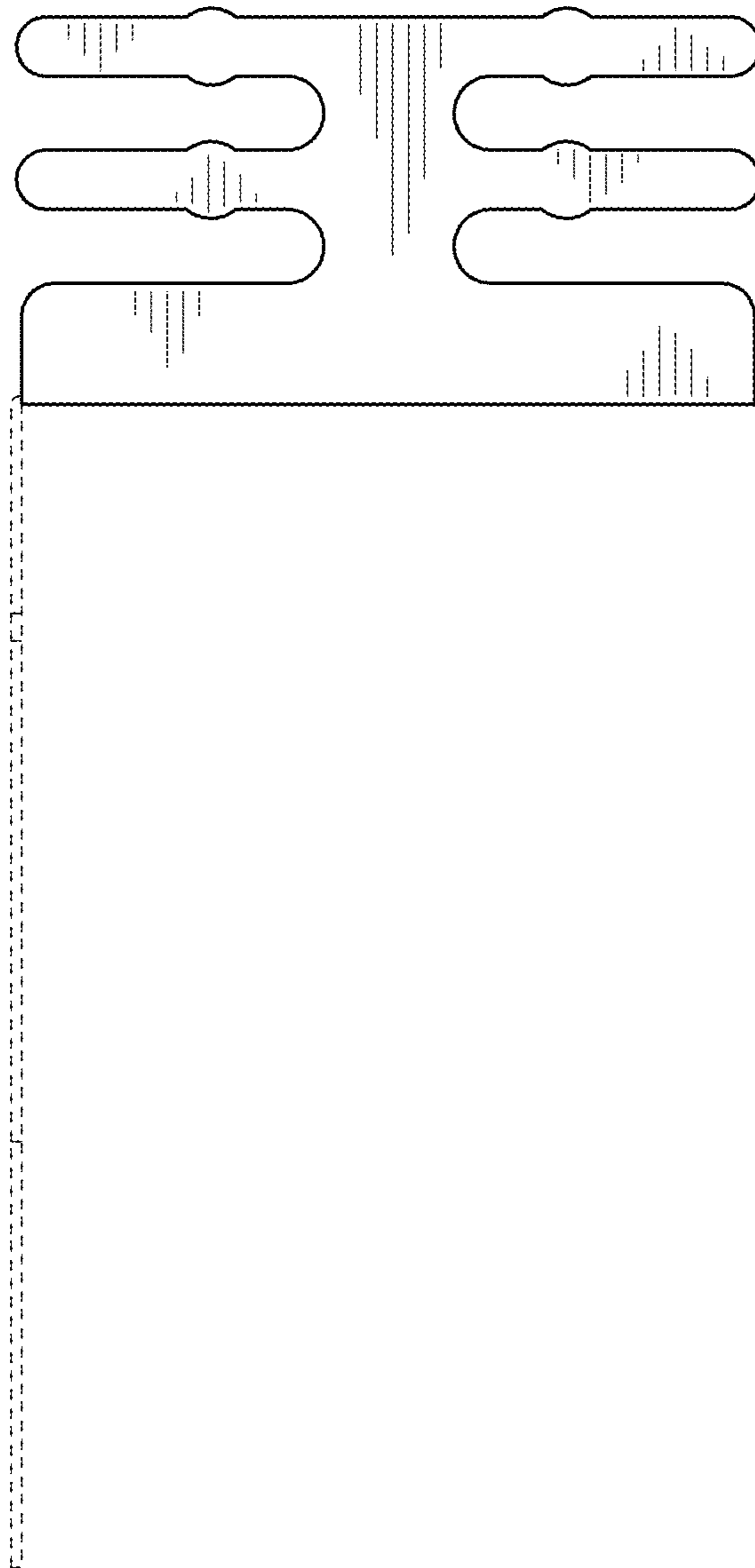


FIG. 2

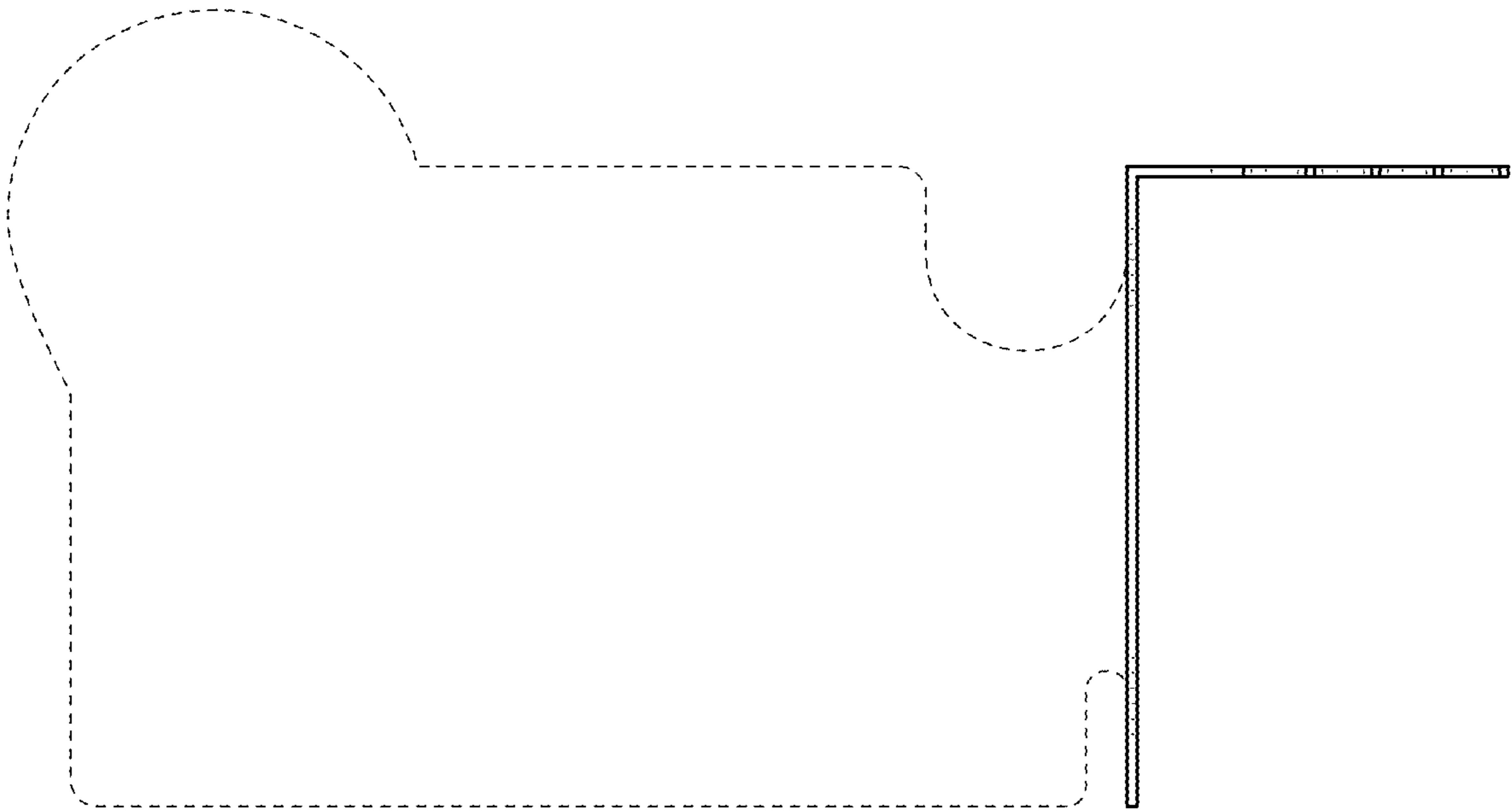


FIG. 3

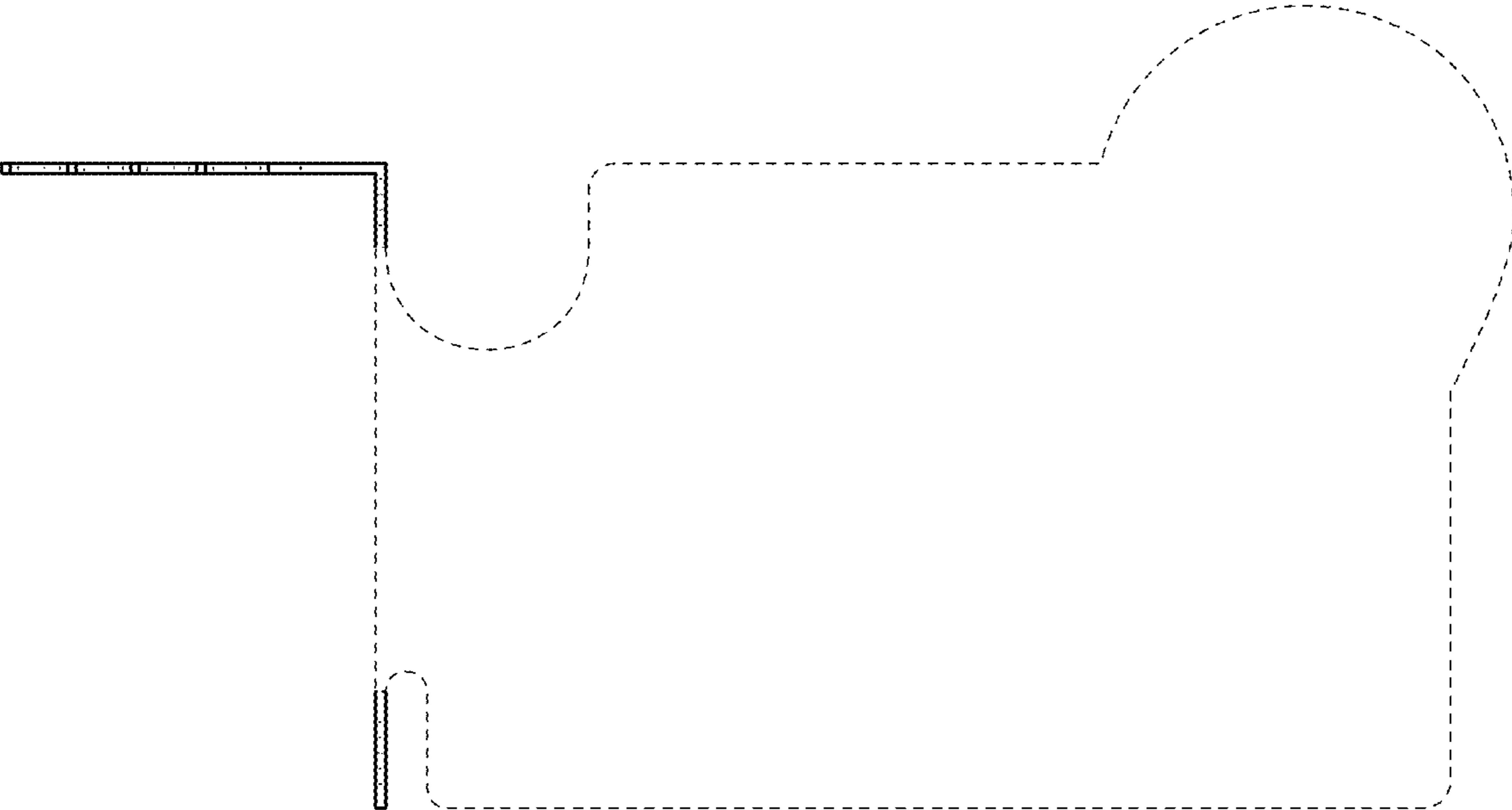


FIG. 4

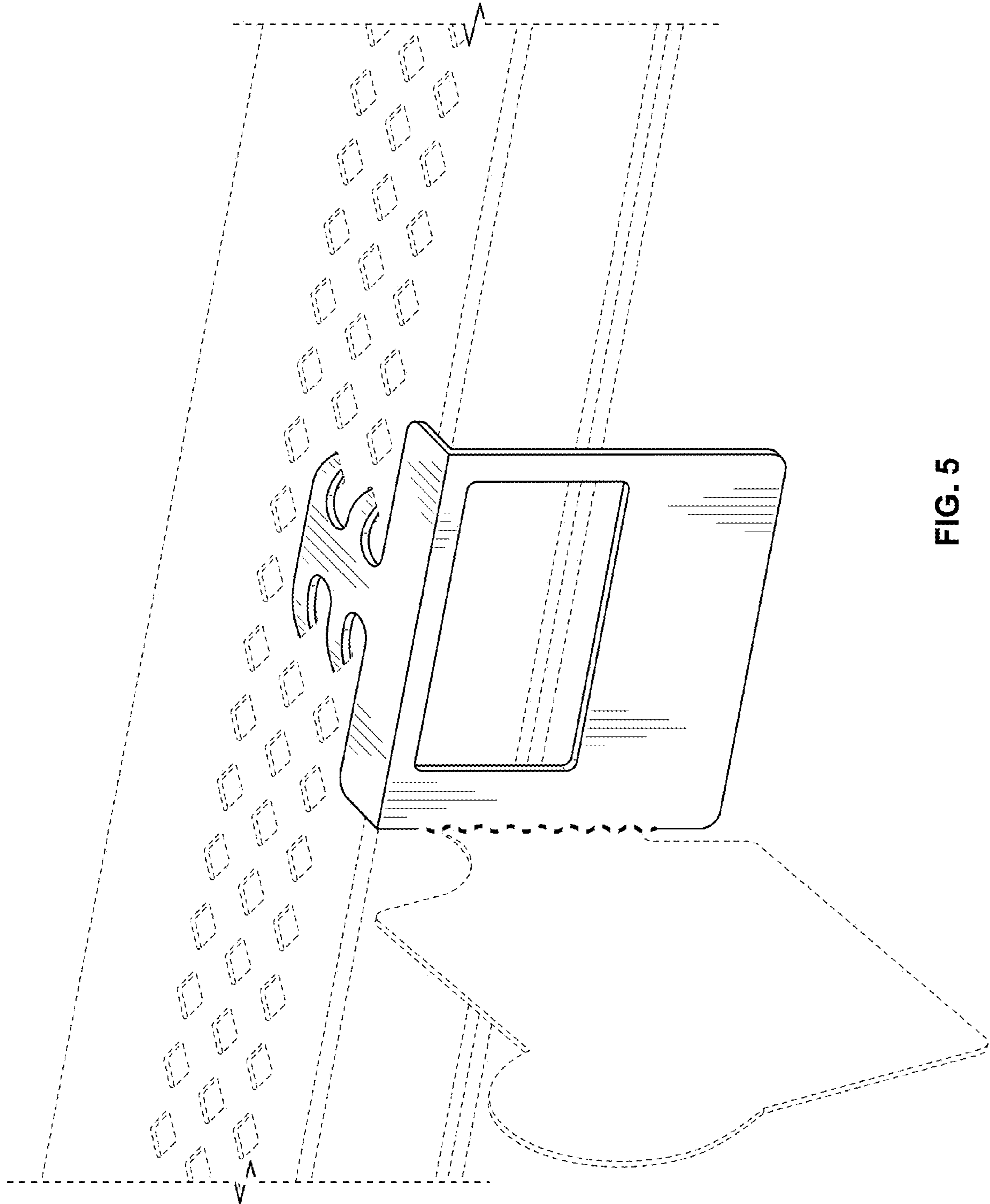


FIG. 5

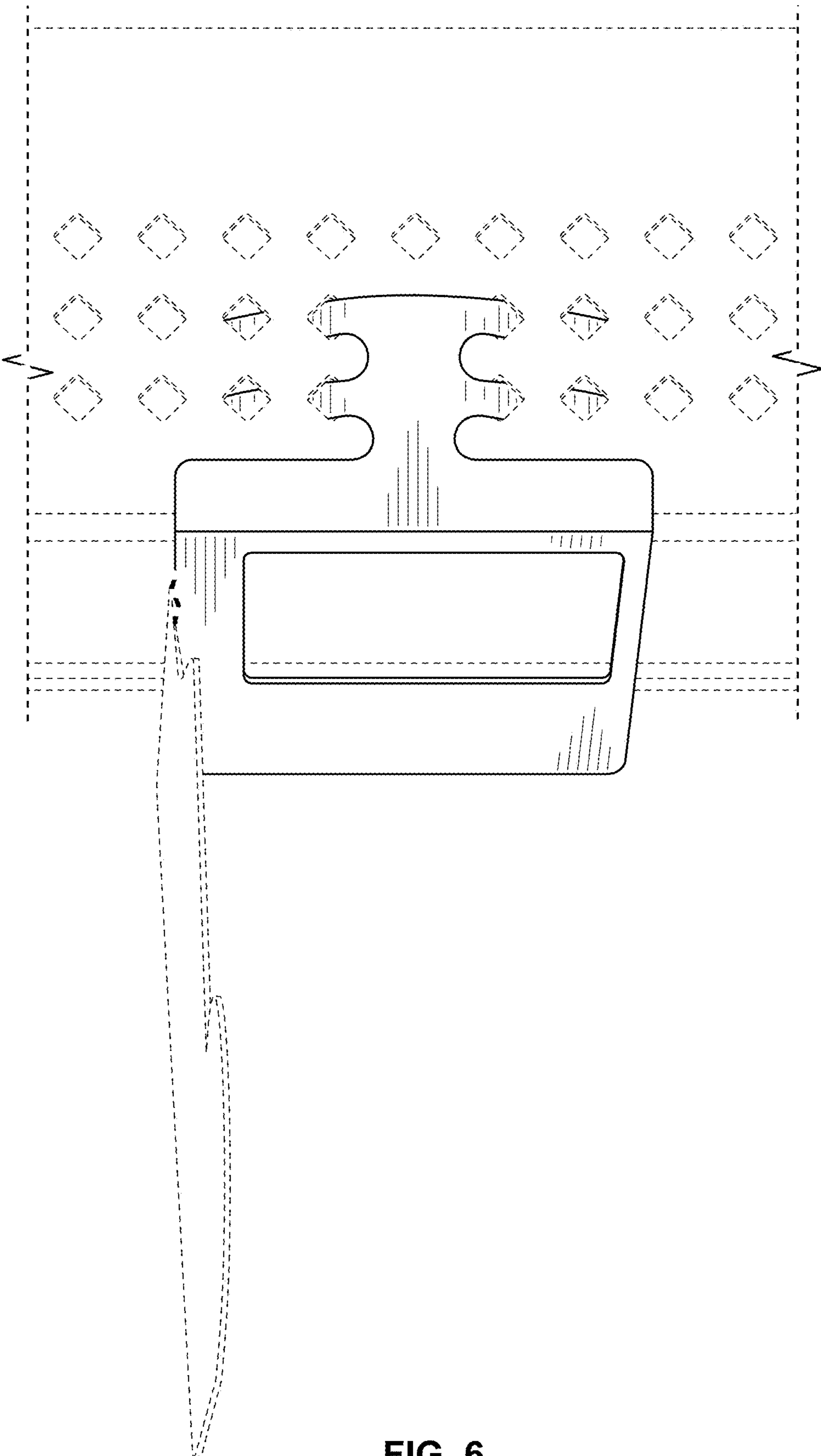


FIG. 6

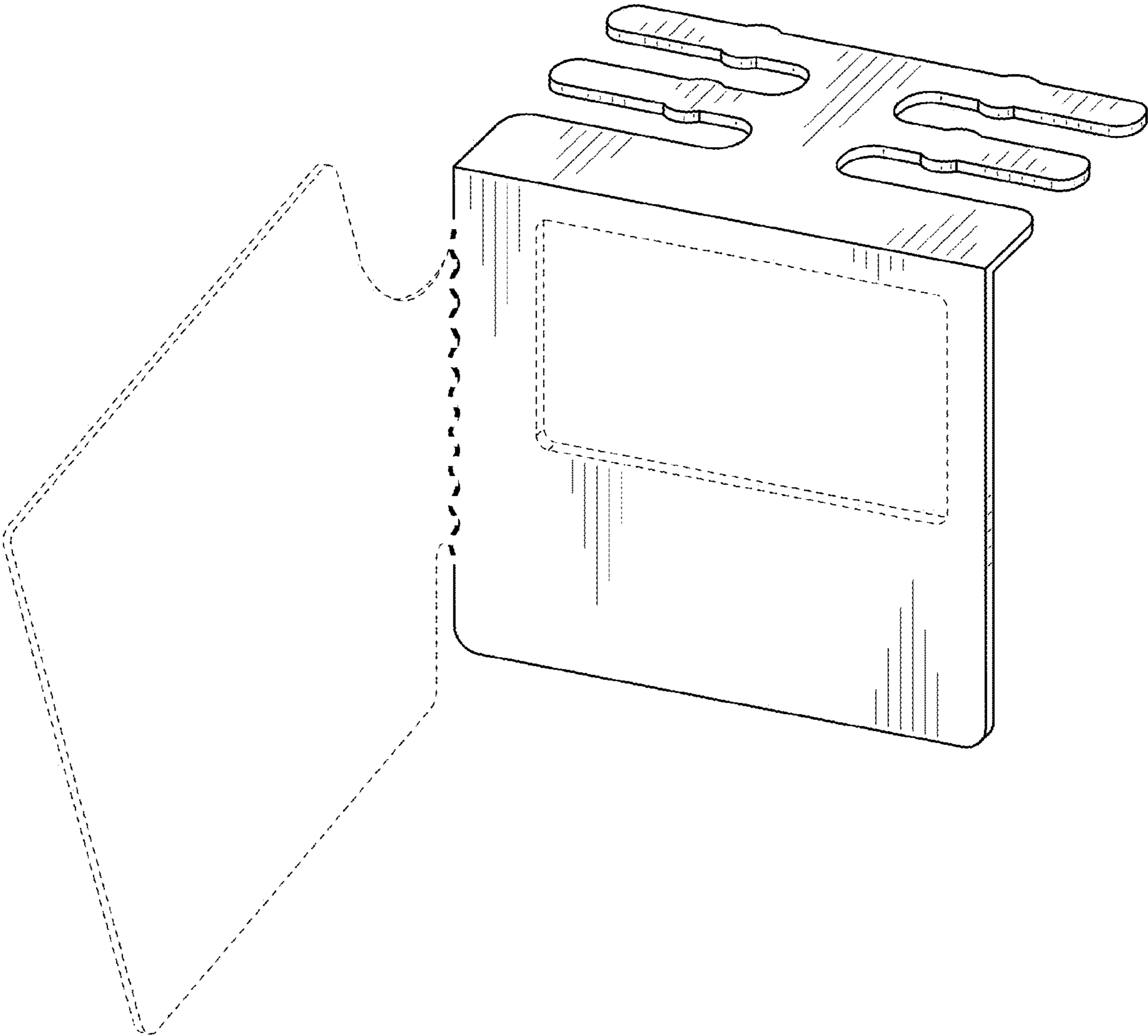


FIG. 7

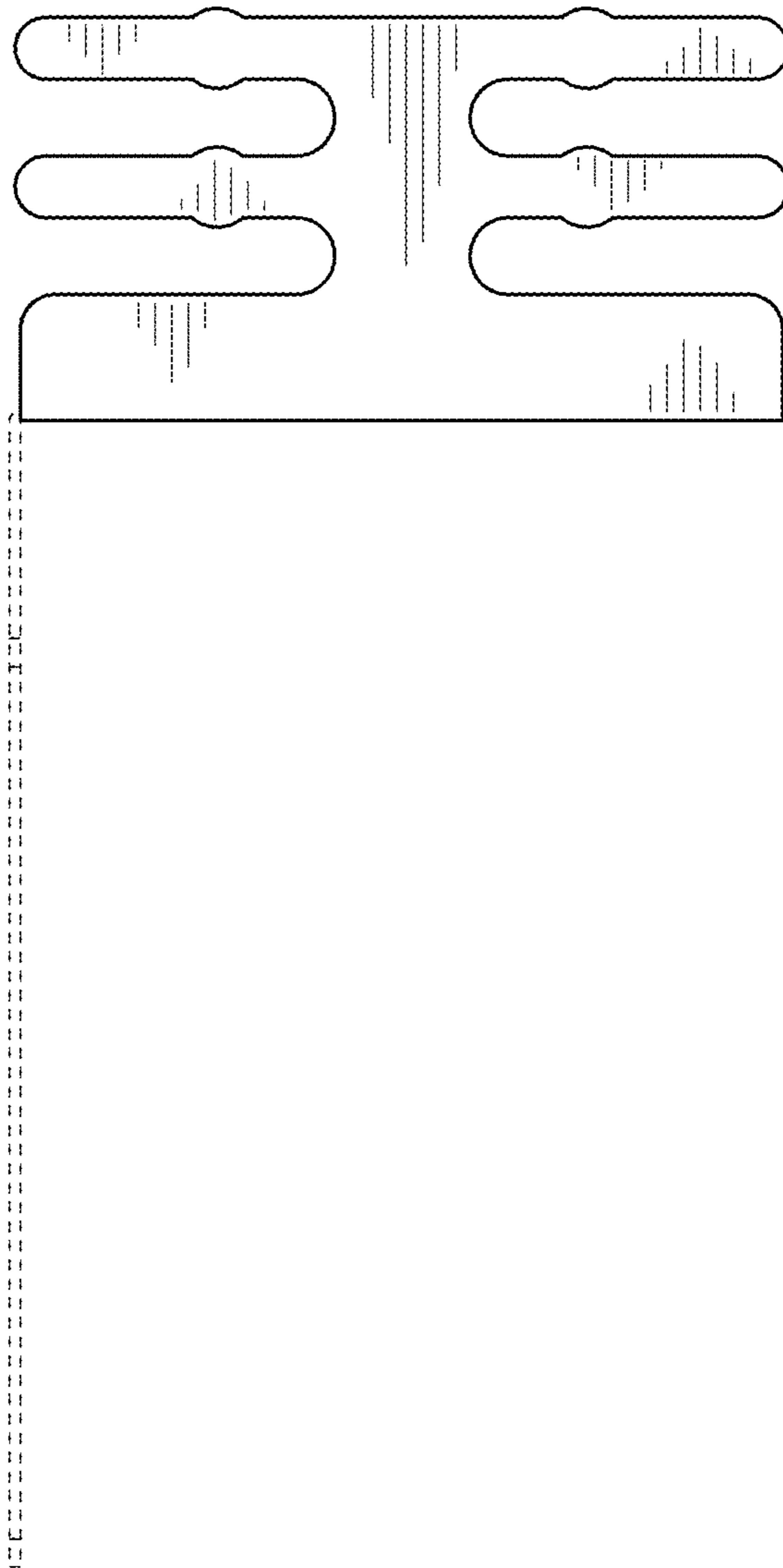


FIG. 8



FIG. 9

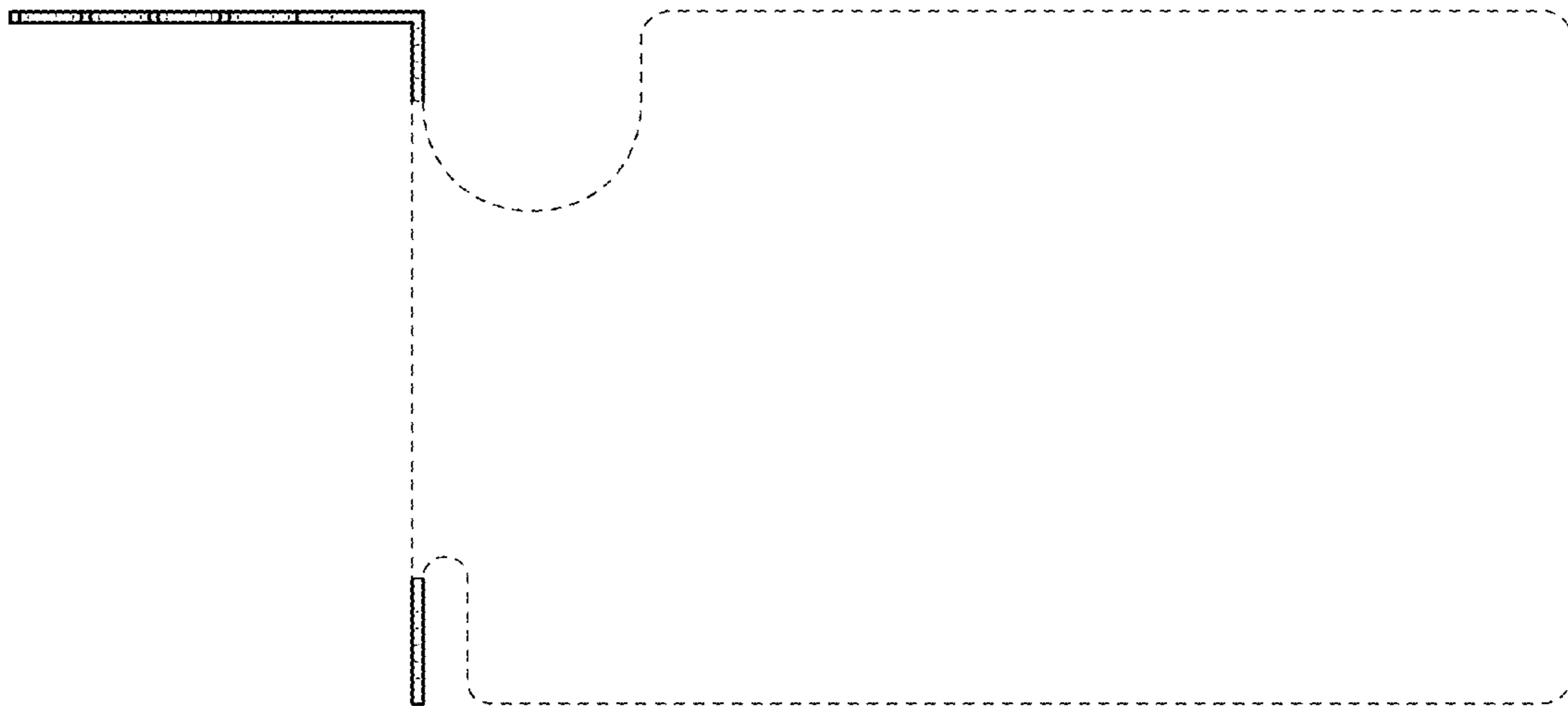


FIG. 10

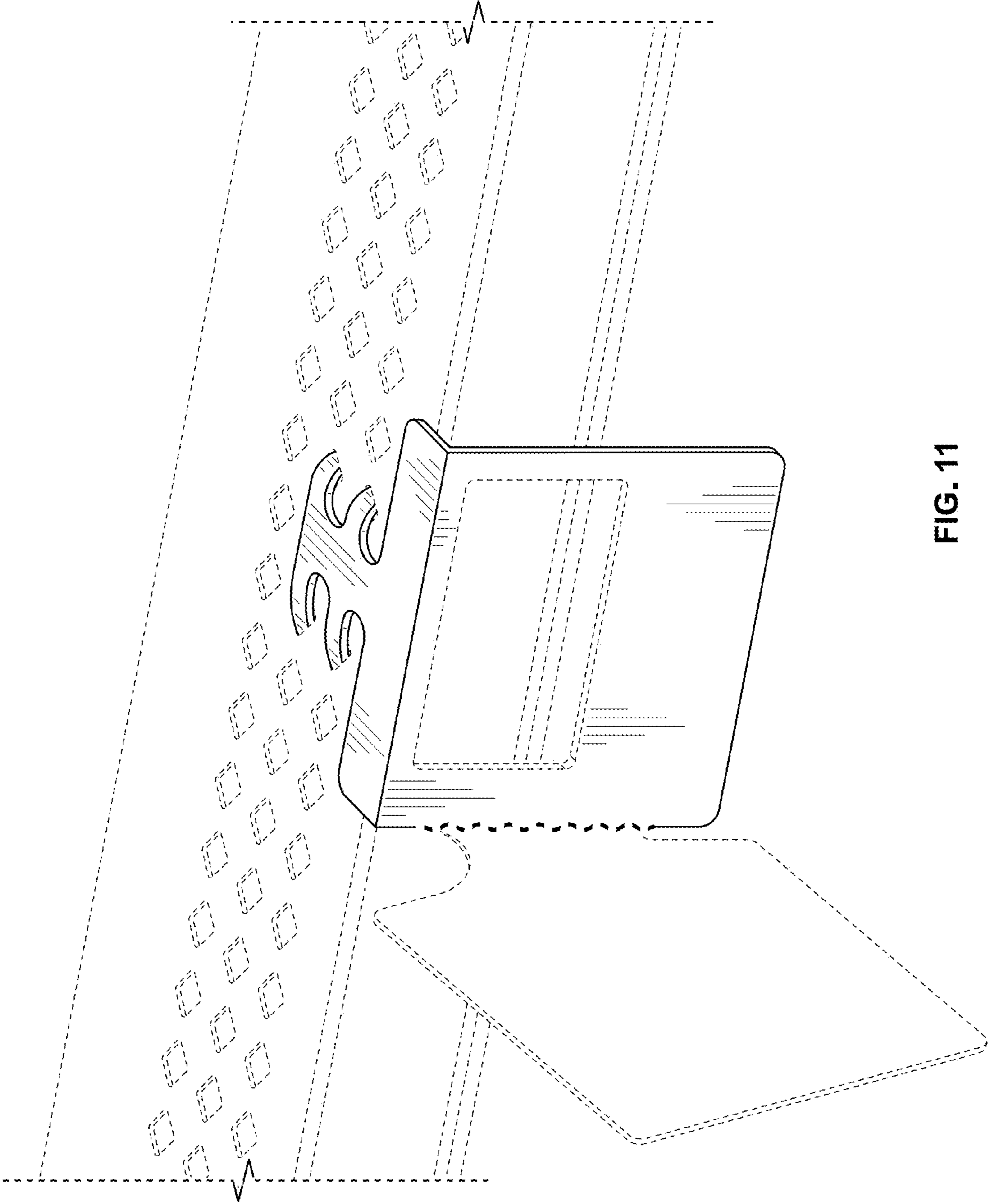


FIG. 11

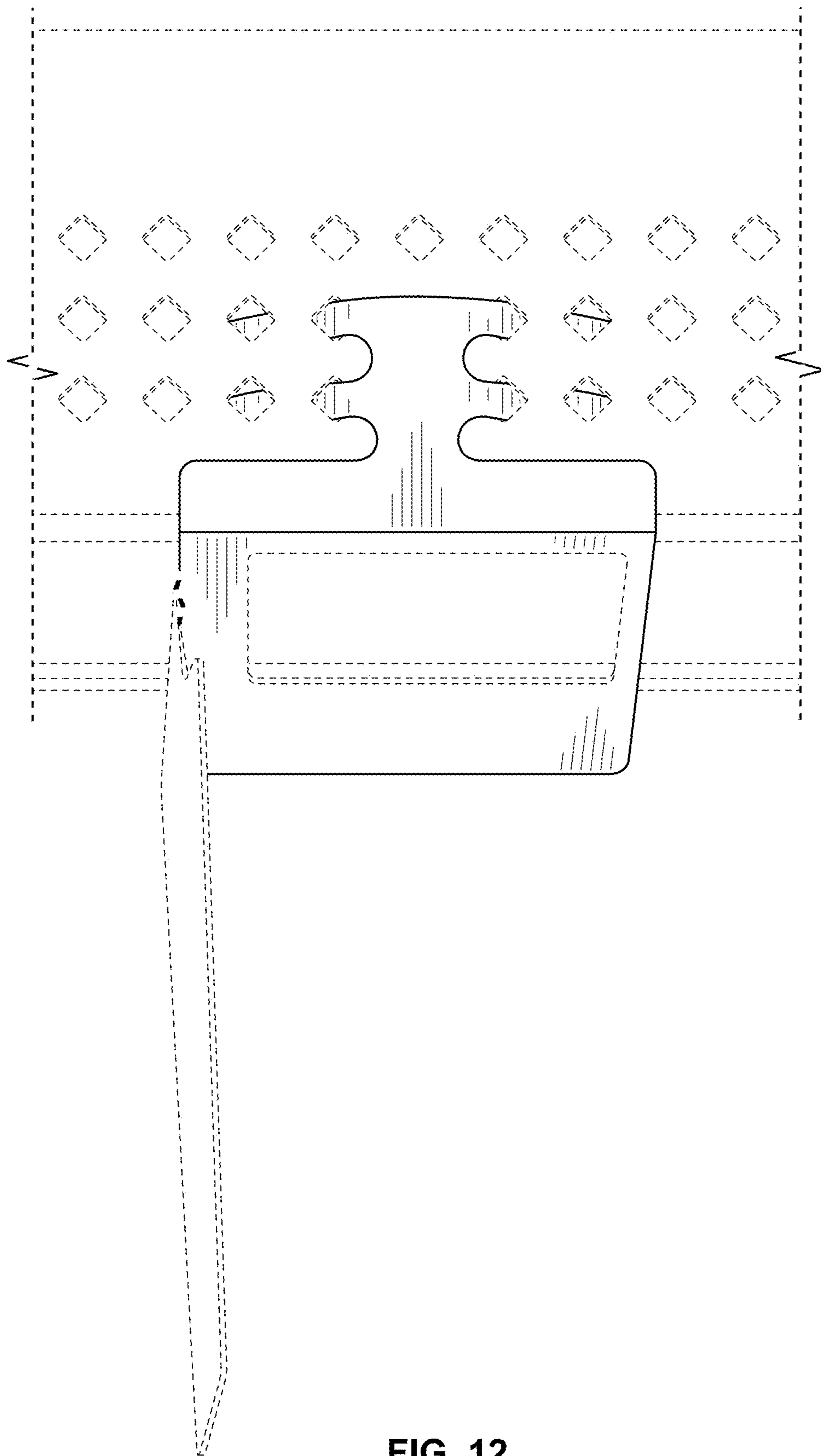


FIG. 12