



US00D921758S

(12) **United States Design Patent**
Greenberg et al.

(10) **Patent No.:** **US D921,758 S**
(45) **Date of Patent:** **** Jun. 8, 2021**

(54) **DISPLAY SIGN**
(71) Applicant: **SpinTopSigns, LLC**, Oro Valley, AZ (US)
(72) Inventors: **Erica Greenberg**, Phoenix, AZ (US); **Zachary Greenberg**, Phoenix, AZ (US)
(73) Assignee: **SPINTOPSIGNS, LLC**, Oro Valley, AZ (US)

4,326,352 A * 4/1982 Barth E01F 9/623
248/156
4,327,514 A * 5/1982 Bourque G09F 7/18
40/606.19
4,357,772 A * 11/1982 Amick G09F 7/18
248/159
D285,220 S * 8/1986 Cooper D20/42
(Continued)

(**) Term: **15 Years**

(21) Appl. No.: **29/705,689**

(22) Filed: **Sep. 13, 2019**

(51) **LOC (13) Cl.** **20-02**

(52) **U.S. Cl.**
USPC **D20/41**

(58) **Field of Classification Search**
USPC D6/300, 310, 311, 312, 313, 314, 672, D6/675, 675.1, 675.3, 675.4, 681; D10/46, 46.1, 104.1, 104.2, 109.1, 109.2, D10/113.4, 114.1; D19/20, 65, 75, 84, D19/90, 91; D20/10, 11, 12, 22-42, 99
CPC A47B 23/042; A47B 23/043; A47F 5/10; A47F 5/11; A47F 5/112; B65D 5/522; B65D 5/44; B65D 5/52; B65D 5/5206; G09F 1/06; G09F 1/14; G09F 2003/0208; G09F 7/02; G09F 7/14; G09F 7/165; G09F 13/06; G09F 13/16; G09F 19/08; G09F 2019/081; G09F 2019/083; G09F 2019/085; G09F 2019/086; G09F 2019/088

See application file for complete search history.

(56) **References Cited**

U.S. PATENT DOCUMENTS

2,482,886 A 8/1946 Van Gieson
4,249,715 A * 2/1981 Repp E01F 9/685
248/156
4,279,104 A * 7/1981 Classen E01F 9/685
52/165

FOREIGN PATENT DOCUMENTS

CN 203118378 U 8/2013
CN 104332117 A 2/2015
WO 2016159912 A1 10/2016

OTHER PUBLICATIONS

Spin Top Signs, posted at Facebook.com, posted on Jan. 30, 2020, site visited Oct. 24, 2020. online, available from internet: https://www.facebook.com/pg/spintopsigns/photos/?ref=page_internal (Year: 2020).*

Primary Examiner — Mary Ann Calabrese
Assistant Examiner — Catherine Ho
(74) *Attorney, Agent, or Firm* — Adam R. Stephenson, Ltd.

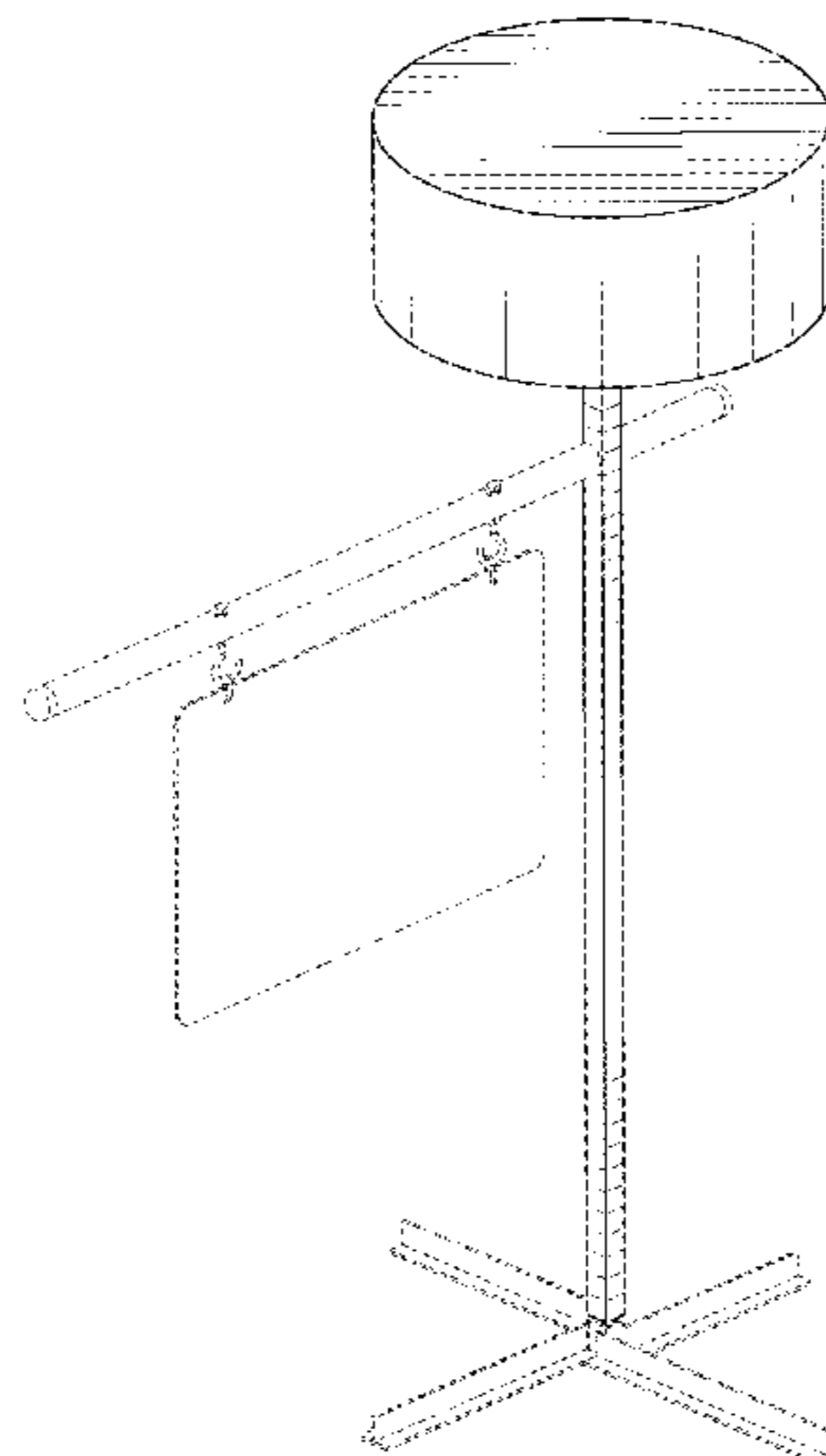
(57) **CLAIM**

We claim the ornamental design for a display sign, as shown and described.

DESCRIPTION

FIG. 1 is a front perspective view of a display sign, showing our new design;
FIG. 2 is a front view thereof;
FIG. 3 is a back view thereof;
FIG. 4 is a left view thereof;
FIG. 5 is a right view thereof;
FIG. 6 is top view thereof; and,
FIG. 7 is a bottom view thereof.
All broken lines represent unclaimed features of the article to which the design is applied.

1 Claim, 6 Drawing Sheets



(56)

References Cited

U.S. PATENT DOCUMENTS

4,790,092 A *	12/1988	Farmer	G09F 7/18 40/606.19	6,668,474 B2 *	12/2003	Winterton	G09F 7/18 40/607.1
4,793,082 A *	12/1988	Petrick	G09F 7/22 40/606.18	6,802,143 B1	10/2004	Rachowitz et al.	
4,843,746 A *	7/1989	DesNoyers	G09F 7/18 40/607.04	D567,870 S *	4/2008	Stead	D20/10
5,101,329 A	3/1992	Doyle		7,748,863 B1	7/2010	Holman et al.	
5,230,176 A	7/1993	Schomaker		D624,597 S *	9/2010	Evans	D20/41
5,489,076 A *	2/1996	Thomas	G09F 7/20 248/150	D641,793 S *	7/2011	Dumontier	D20/41
5,502,910 A *	4/1996	Lucchesi	G09F 7/22 173/91	D645,379 S *	9/2011	Downey	D11/166
5,572,816 A	11/1996	Anderson, Jr. et al.		D652,876 S *	1/2012	Lotzof	D20/41
D399,263 S *	10/1998	Christopher	D20/41	8,810,191 B2	8/2014	Maldonado	
D424,961 S *	5/2000	Dolfin	D10/109.1	9,269,282 B1	2/2016	Hartman	
6,148,552 A	11/2000	Dumontier et al.		9,443,454 B1	9/2016	Treece	
6,263,601 B1	7/2001	Emert		10,037,718 B1 *	7/2018	Hartman	G09F 7/22
6,345,458 B1	2/2002	Garibian		2006/0050528 A1 *	3/2006	Lyons	G09F 13/02 362/559
D479,859 S *	9/2003	Strunk	D20/41	2006/0130382 A1	6/2006	Howell et al.	
				2006/0260160 A1	11/2006	Herman	
				2006/0274521 A1	12/2006	Ullrich	
				2007/0193088 A1 *	8/2007	Lemberger	G09F 13/22 40/544
				2009/0178316 A1	7/2009	Parenti et al.	
				2020/0265756 A1 *	8/2020	Agadzhanyan	G09F 7/02

* cited by examiner

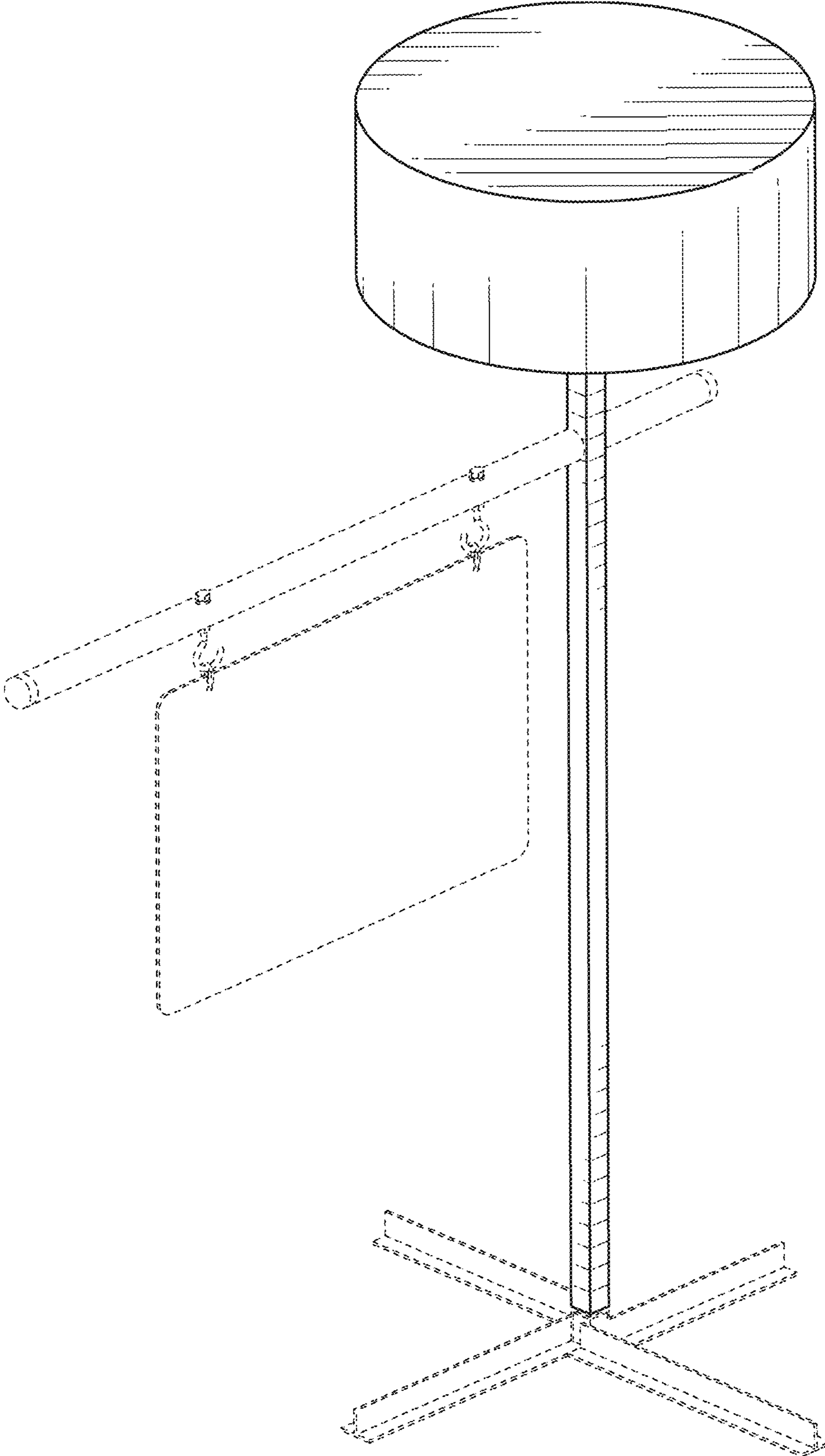


FIG. 1

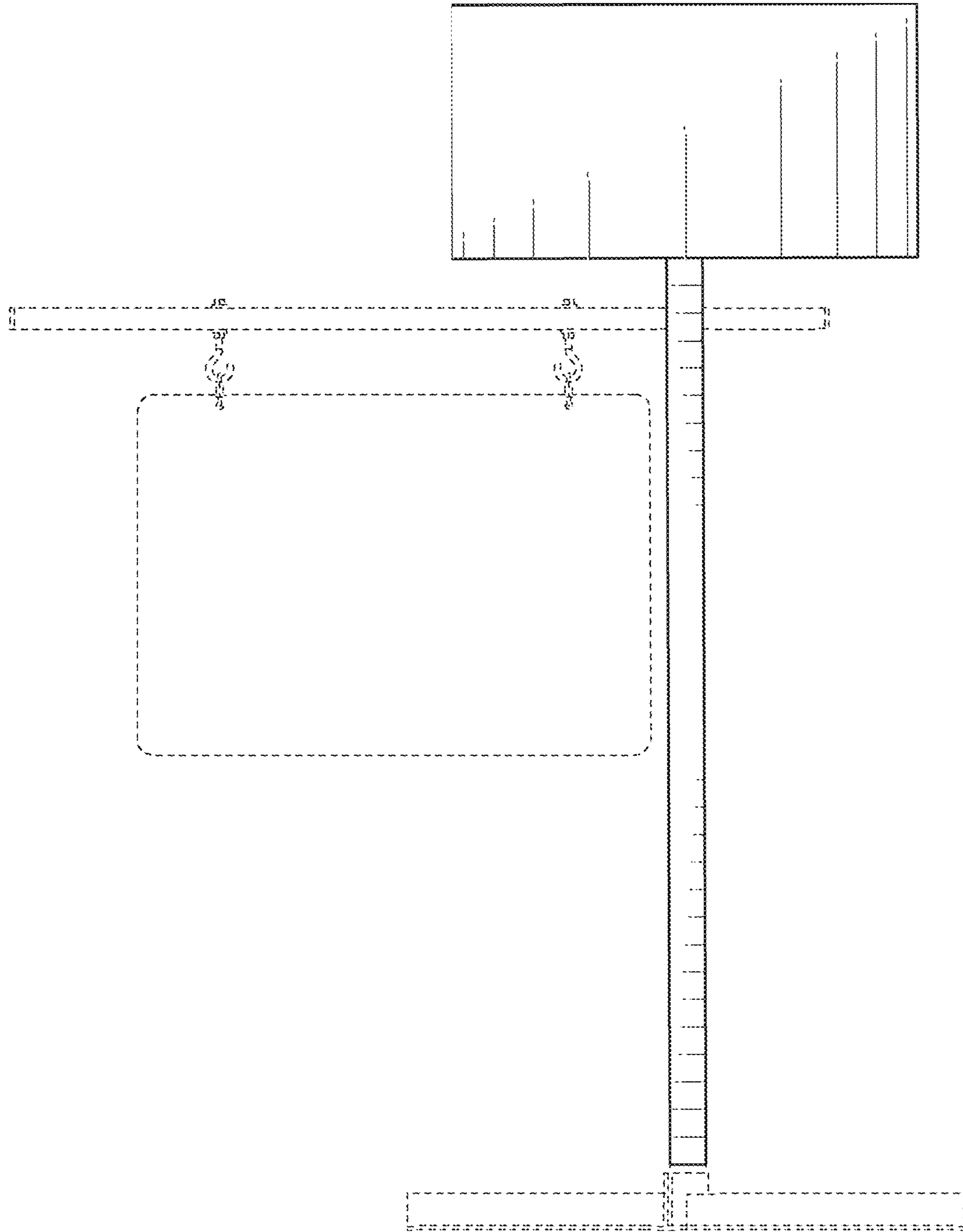


FIG. 2

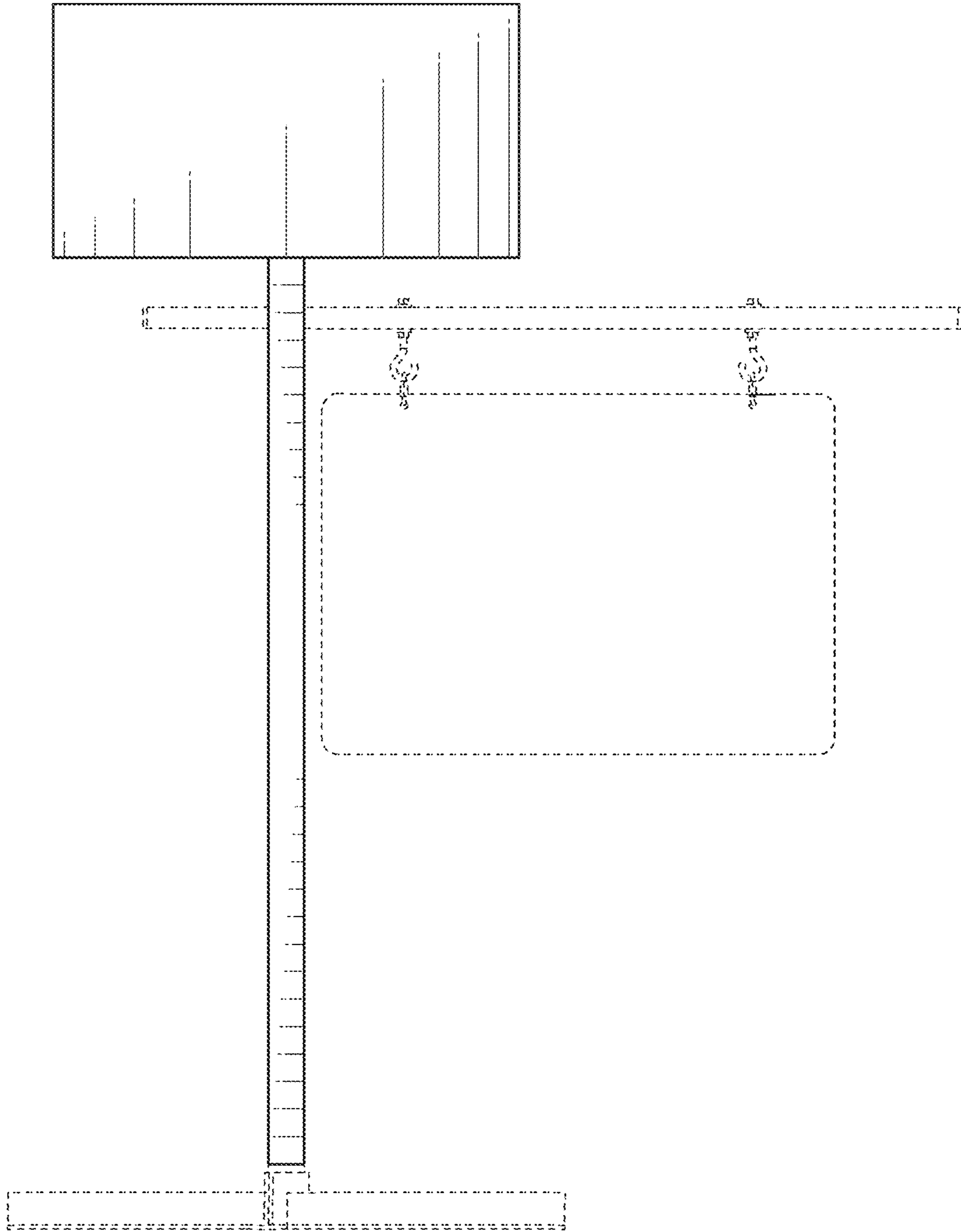


FIG. 3

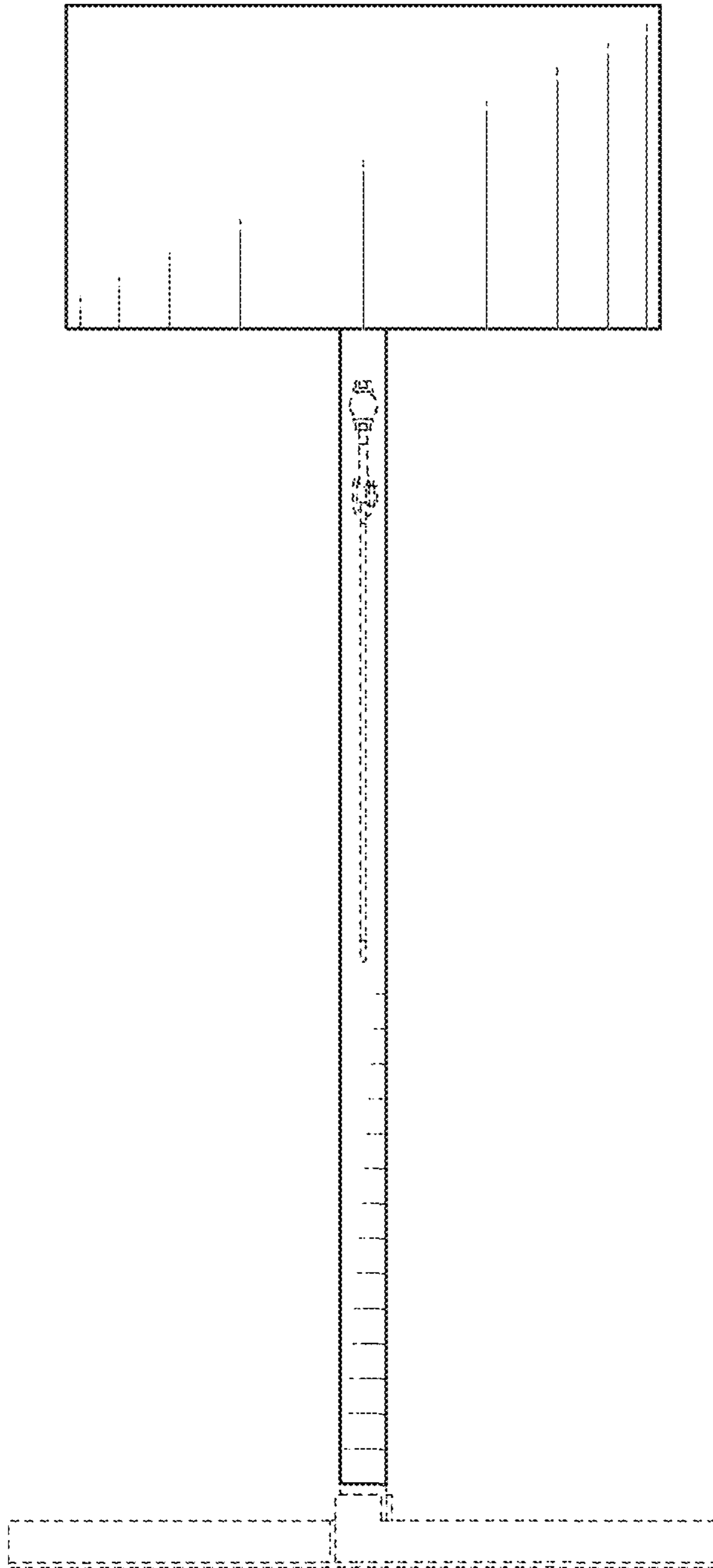


FIG. 4

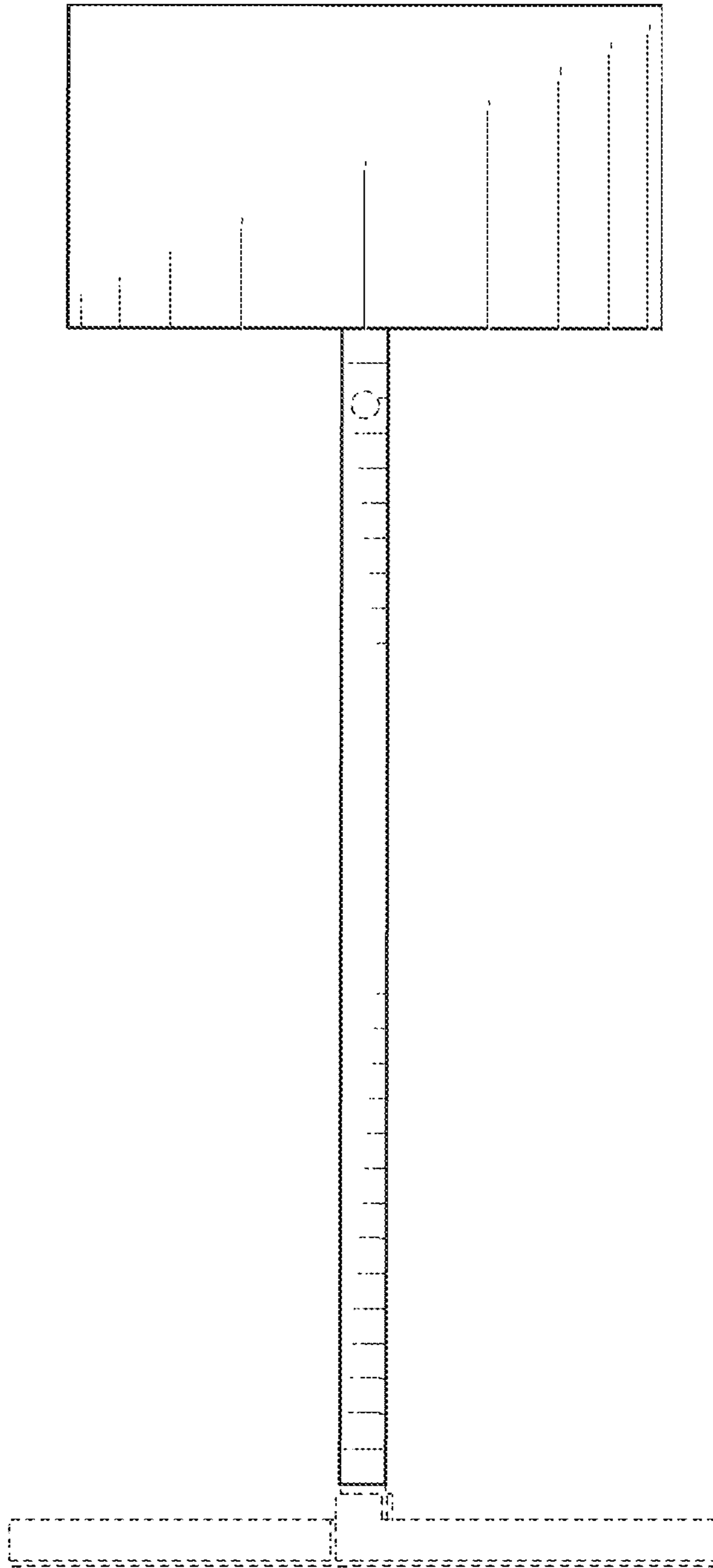


FIG. 5

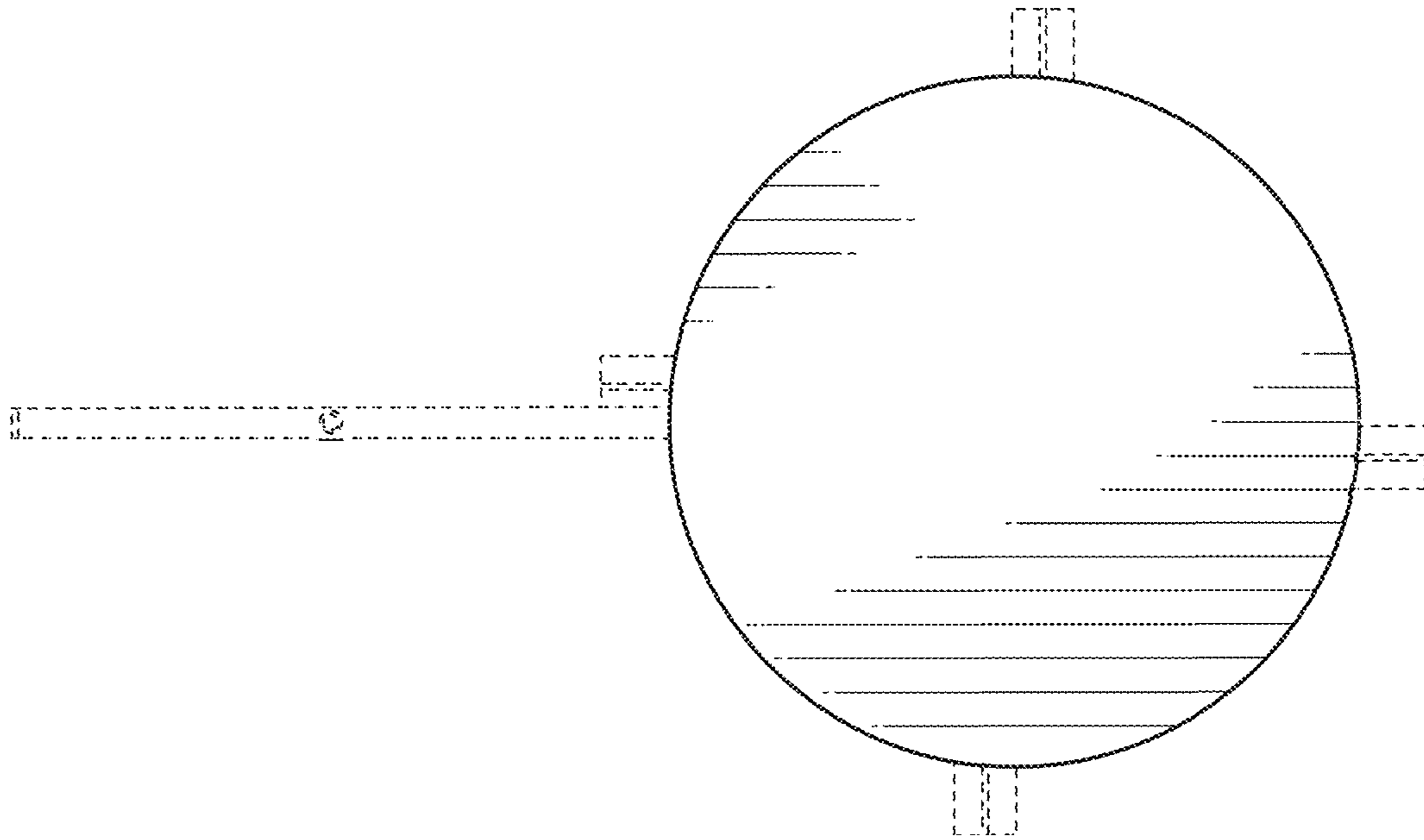


FIG. 6

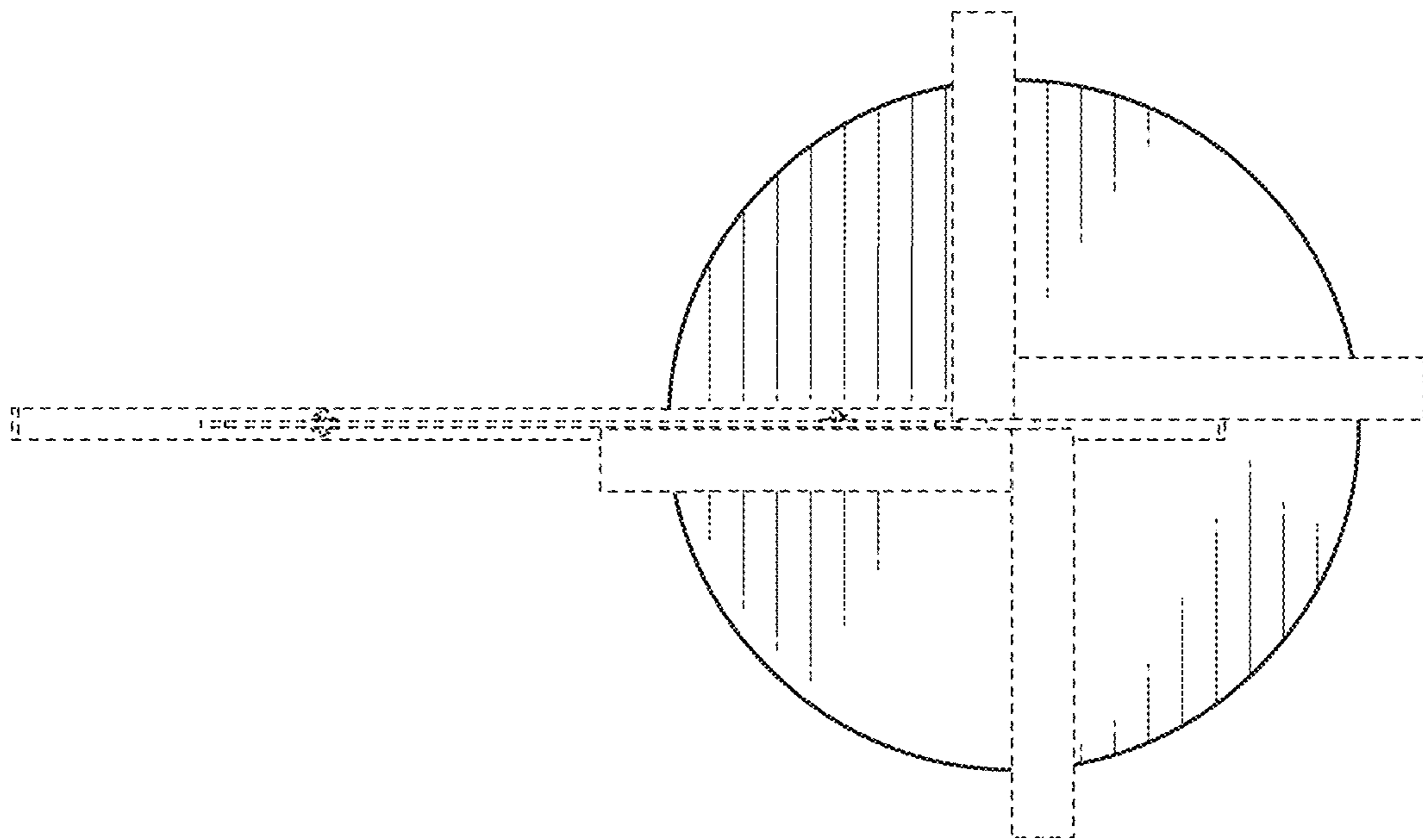


FIG. 7