



US00D921755S

(12) **United States Design Patent**
Ochs

(10) **Patent No.:** **US D921,755 S**
(45) **Date of Patent:** **** Jun. 8, 2021**

- (54) **LUMINESCENT SIGN**
- (71) Applicant: **Fetch ATL, LLC**, Marietta, GA (US)
- (72) Inventor: **Stephen Ochs**, Atlanta, GA (US)
- (73) Assignee: **Stephen Ochs**, Canton, GA (US)
- (**) Term: **15 Years**
- (21) Appl. No.: **29/668,101**
- (22) Filed: **Oct. 26, 2018**
- (51) **LOC (13) Cl.** **20-03**
- (52) **U.S. Cl.**
USPC **D20/10**
- (58) **Field of Classification Search**
USPC D11/40, 46, 48, 49, 51, 52, 61, 116, 133,
D11/165, 166, 181, 182, 229; D20/10,
D20/11, 12, 15, 16, 17, 19, 20, 23, 37,
D20/40, 41, 42, 99
CPC ... G09F 7/00; G09F 7/002; G09F 7/02; G09F
7/04; G09F 7/06; G09F 7/08; G09F 7/12;
G09F 7/14; G09F 7/16; G09F 2007/1843;
G09F 2007/1873; G09F 9/30; G09F
13/00; G09F 13/16; G09F 13/0404; G09F
13/04

- 3,406,475 A * 10/1968 O'Donnell G02B 6/0021
40/546
- D247,070 S * 1/1978 Mihojevich D20/42
- 5,099,593 A * 3/1992 Hannula G09F 19/12
40/552
- 5,146,704 A * 9/1992 Dugan G09F 13/04
40/552

(Continued)

OTHER PUBLICATIONS

Fetch, posted at Atlanta.curbed.com, posted on Feb. 2, 2017, site visited Jul. 30, 2020. online, available from internet: <https://atlanta.curbed.com/2017/2/2/14489512/fetch-old-fourth-ward-dog-park-restaurant-renderings> (Year: 2017).*

Primary Examiner — Mary Ann Calabrese
Assistant Examiner — Catherine Ho
(74) *Attorney, Agent, or Firm* — Smith, Gambrell & Russell

(57) **CLAIM**

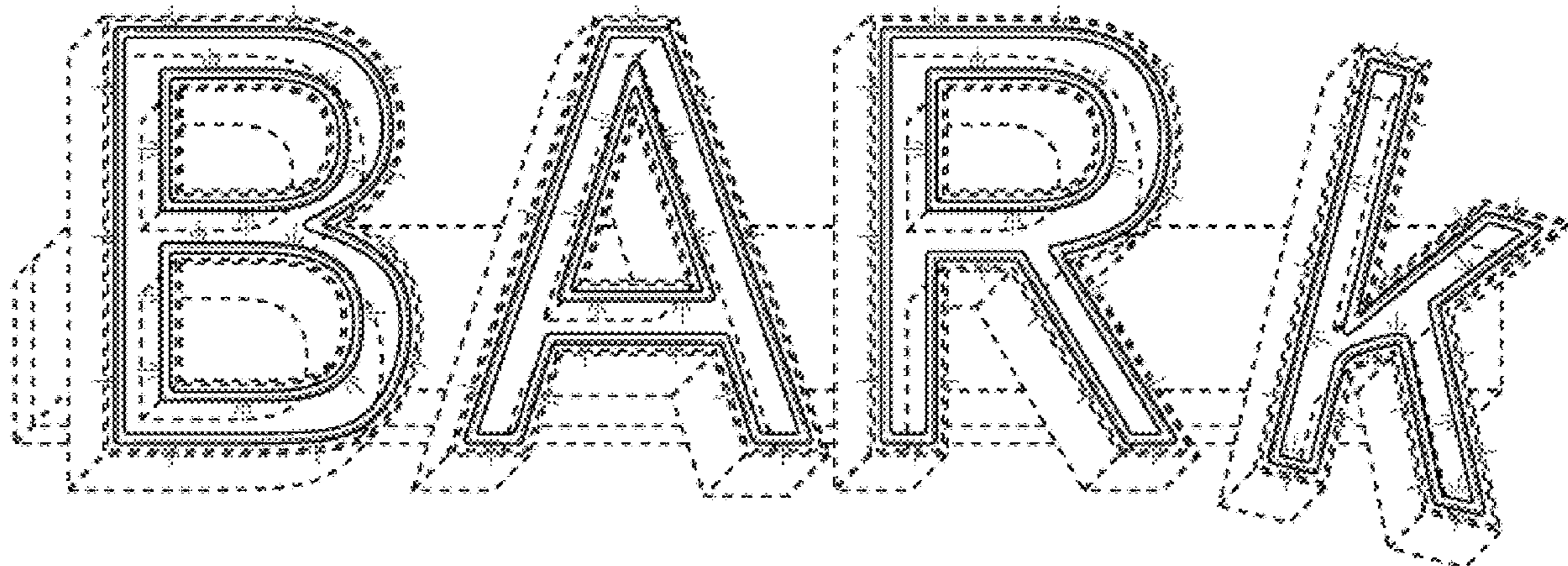
The ornamental design for a luminescent sign, as shown and described.

DESCRIPTION

FIG. 1 is a perspective view of a luminescent sign shown in a first state in a sequence of illumination, showing my new design;
FIG. 2 is a front view thereof;
FIG. 3 is a front view of the luminescent sign shown in a second state in the sequence of illumination; and,
FIG. 4 is a front view of the luminescent sign shown in a third state in the sequence of illumination.
The dashed broken lines depict portions of the luminescent sign which form no part of the claimed design. The groupings of three dashed lines represent illumination, and form no part of the claimed design. The process by and period over which one state of illumination transitions to another state of illumination forms no part of the claimed design.

1 Claim, 4 Drawing Sheets

- (56) **References Cited**
U.S. PATENT DOCUMENTS
- 1,480,019 A * 1/1924 Simpson G09F 13/00
40/576
- 1,501,102 A * 7/1924 Duncan G09F 13/14
40/563
- 1,509,014 A * 9/1924 Young G09F 7/22
40/559
- 1,524,446 A * 1/1925 Meacher G09F 13/00
40/572
- 1,570,980 A * 1/1926 Wiegand G09F 13/26
40/545
- 3,221,432 A * 12/1965 Gold G09F 13/0404
40/551



(56)

References Cited

U.S. PATENT DOCUMENTS

2014/0369041 A1* 12/2014 Fallon G09F 13/0404
362/236
2019/0160512 A1* 5/2019 Lim B21D 35/00
2020/0138003 A1* 5/2020 Shoemaker, Jr. A01M 1/106

* cited by examiner

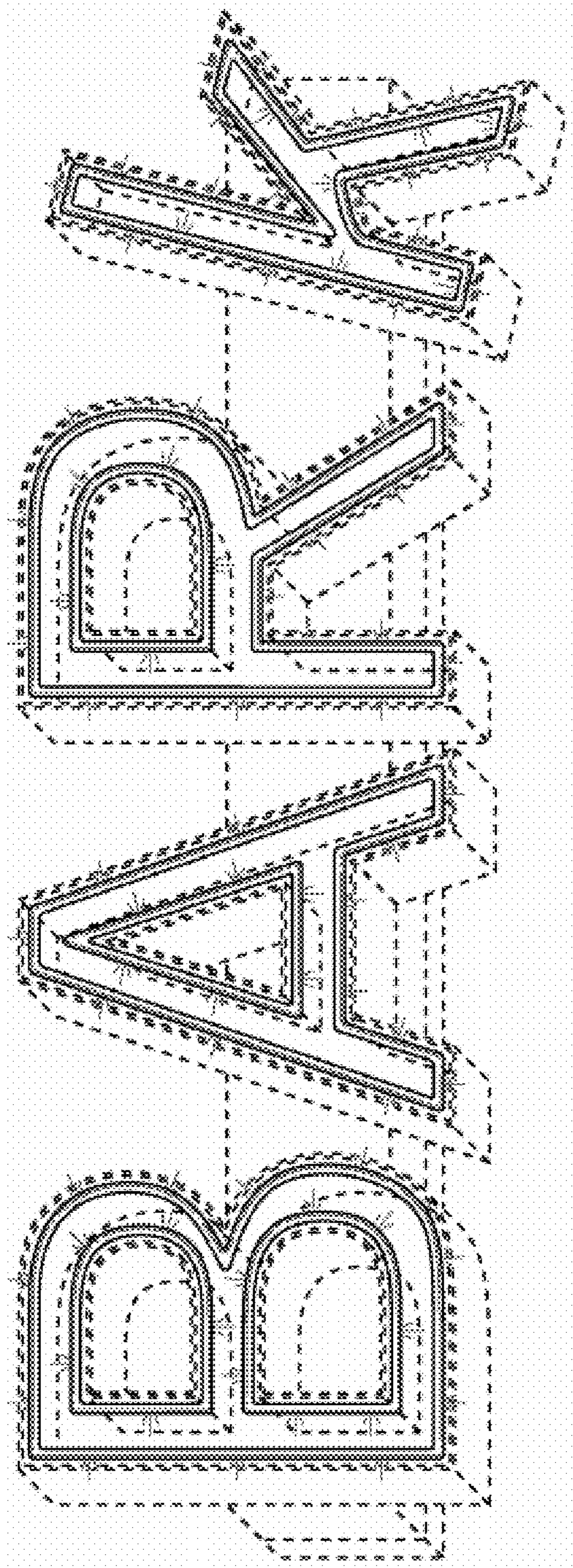


FIG. 1

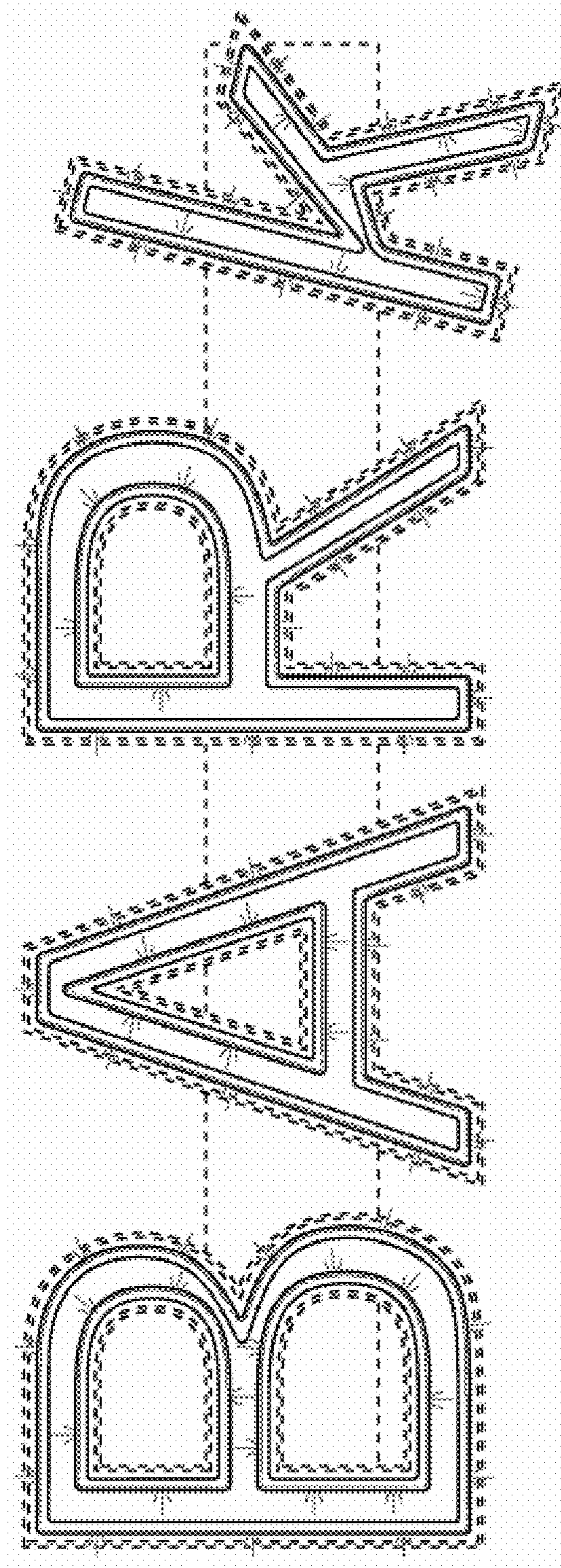


FIG. 2

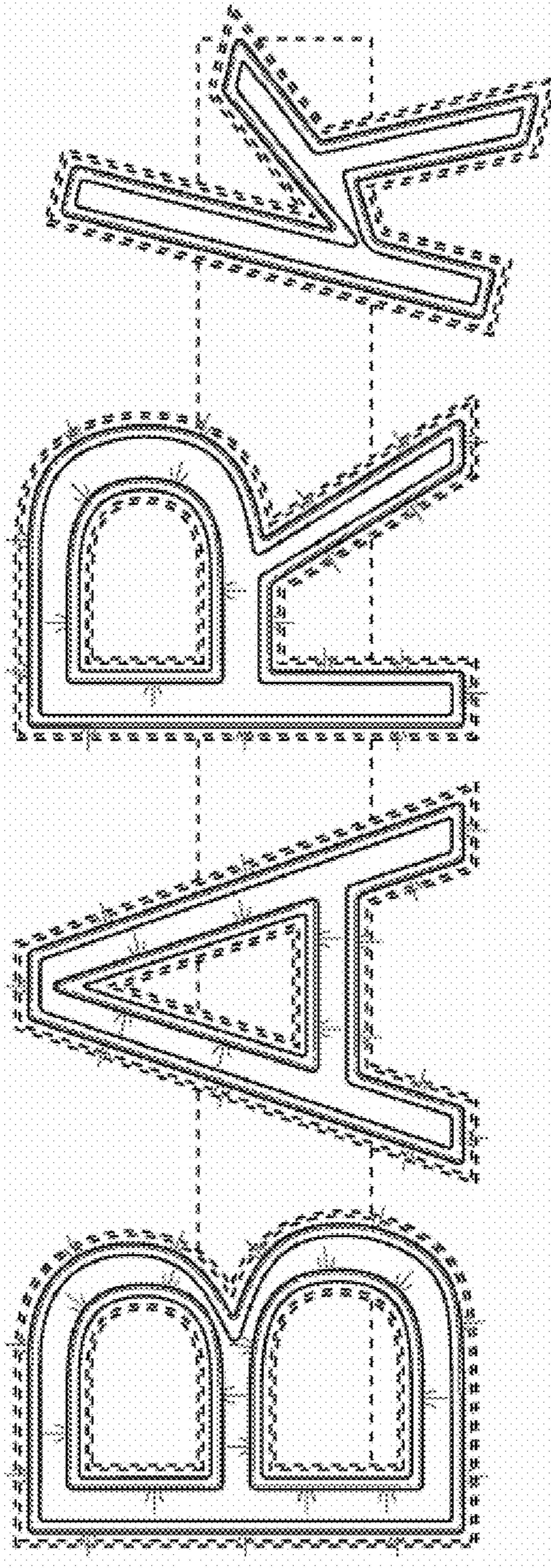


FIG. 3

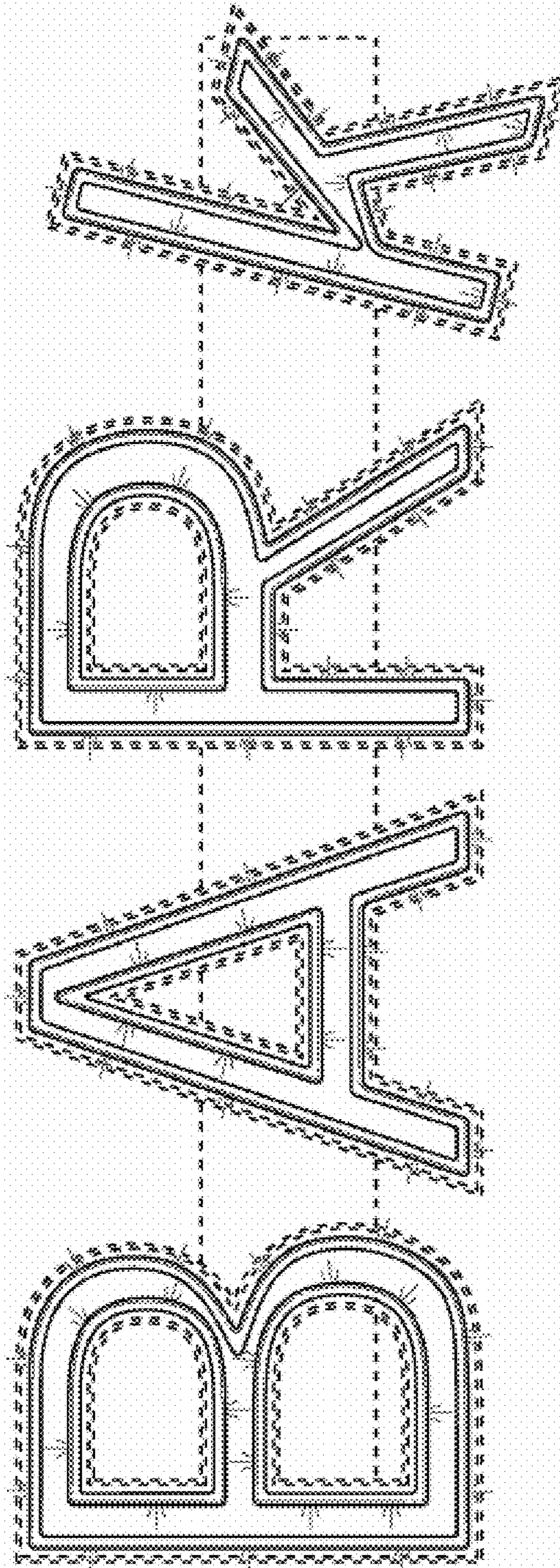


FIG. 4