



US00D921752S

(12) **United States Design Patent** (10) **Patent No.:** **US D921,752 S**
Sato et al. (45) **Date of Patent:** **** Jun. 8, 2021**

(54) **NOTE TAB** 1,259,322 A 3/1918 Vawter
1,273,960 A 7/1918 Wagemaker
(71) Applicant: **CCL Label, Inc.**, Framingham, MA (US) 1,435,664 A * 11/1922 Russell B42F 17/00
40/380
1,455,123 A 5/1923 Stevens
(72) Inventors: **Jay Sato**, Mission Viejo, CA (US); **Eric Cushing**, Riverside, CA (US) 1,460,761 A 7/1923 McPike
1,615,427 A 1/1927 Walker
1,641,488 A 9/1927 Hoge
(73) Assignee: **CCL LABEL, INC.**, Framingham, MA (US) 1,700,821 A 2/1929 Dawson
1,705,753 A 3/1929 Dawson
1,757,122 A 5/1930 Hunter
1,804,528 A 5/1931 Donnell
(**) Term: **15 Years** (Continued)

(21) Appl. No.: **29/700,924**
(22) Filed: **Aug. 7, 2019**

Related U.S. Application Data

(63) Continuation of application No. 29/580,932, filed on Oct. 14, 2016, now Pat. No. Des. 892,212, which is a continuation of application No. 29/514,960, filed on Jan. 19, 2015, now Pat. No. Des. 772,338.
(51) **LOC (13) Cl.** **19-02**
(52) **U.S. Cl.**
USPC **D19/99**; D19/1
(58) **Field of Classification Search**
USPC D19/1, 2, 26-33, 86, 90, 99, 100;
229/67.1-67.4, 72
CPC B42F 19/00; B42F 19/04; B42F 21/00;
B42F 21/02; B42F 21/025; B42F 21/04;
B42F 21/06; B42F 21/065; B42F 21/08;
B42F 21/10
See application file for complete search history.

(56) **References Cited**
U.S. PATENT DOCUMENTS

1,071,625 A 8/1913 Morrell
1,077,334 A 11/1913 Dunleavy
1,150,034 A 8/1915 Hub
1,218,558 A 3/1917 Hub
1,257,160 A 2/1918 Wagemaker

OTHER PUBLICATIONS

Avery 74769 Ultra Tabs, 2.5x1 inch, 2-Side Writable, Manufacturer: Avery, ASIN: B017HA44DY, online on Amazon.com, Date First Available: Nov. 2, 2015.*
(Continued)

Primary Examiner — Elizabeth A. Albert
(74) *Attorney, Agent, or Firm* — McDonald Hopkins LLC

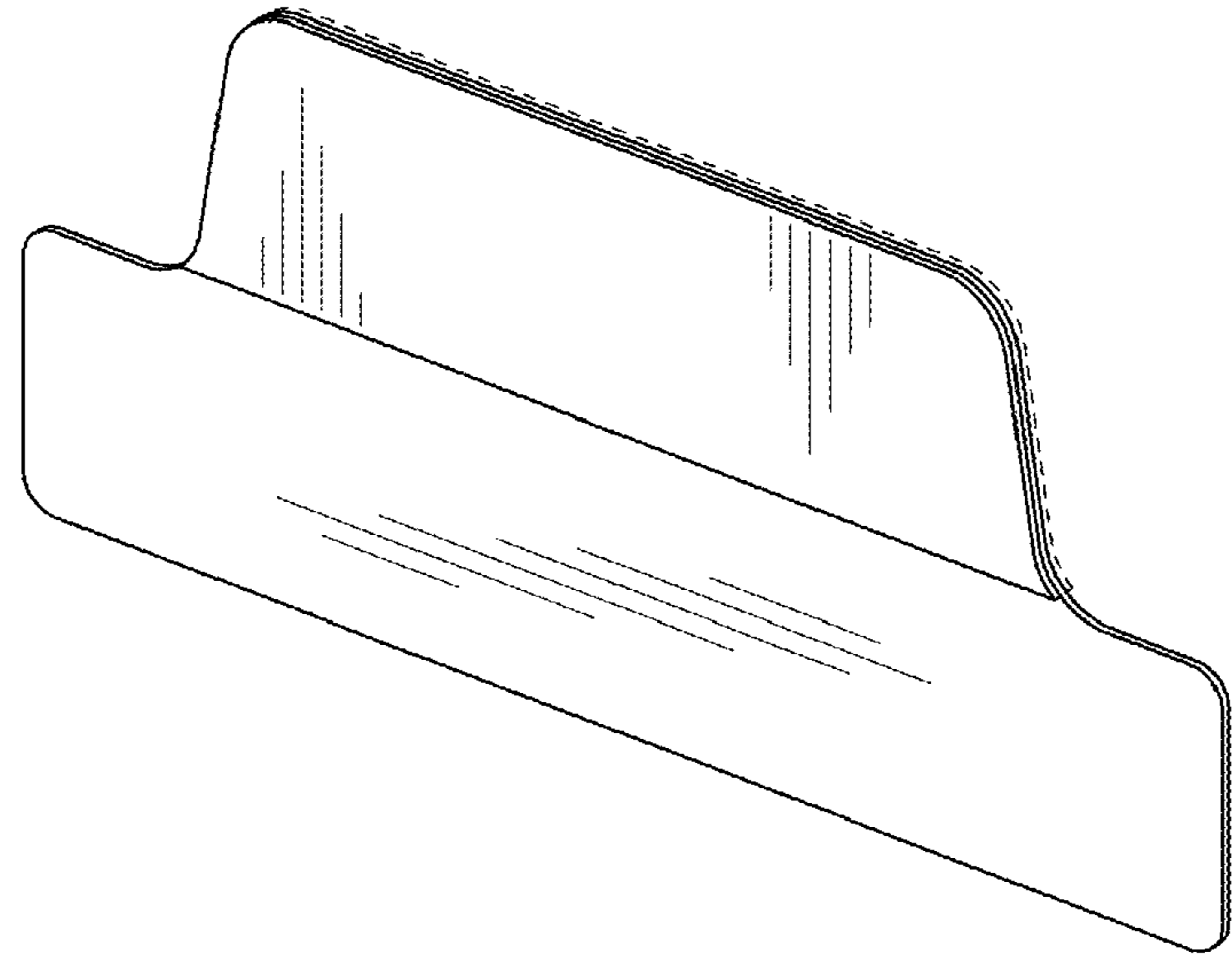
(57) **CLAIM**

The ornamental design for a note tab, as shown and described.

DESCRIPTION

FIG. 1 is a perspective view of a note tab showing my new design;
FIG. 2 is a front view thereof;
FIG. 3 is a rear view thereof;
FIG. 4 is a first side view thereof;
FIG. 5 is a second side view thereof;
FIG. 6 is a top view thereof; and,
FIG. 7 is a bottom view thereof.
The broken lines in the figures are included for the purpose of illustrating portions of a note tab and do not form a part of the claimed design.

1 Claim, 2 Drawing Sheets



(56)

References Cited

U.S. PATENT DOCUMENTS

1,848,098 A 3/1932 Aigner
 1,868,188 A 7/1932 Barker
 1,983,878 A 12/1934 Rand
 2,021,950 A * 11/1935 Thomas B42F 19/00
 40/360
 2,260,407 A * 10/1941 Schade B42F 19/00
 40/359
 2,693,807 A 11/1954 Stark
 3,425,145 A * 2/1969 Newton B42F 19/00
 40/641
 4,905,393 A * 3/1990 Laurie G09F 3/06
 40/641
 5,056,824 A 10/1991 Olson
 5,407,234 A 4/1995 Rettker
 5,468,085 A 11/1995 Kline
 D369,267 S 4/1996 Harrington
 5,518,273 A 5/1996 Olson
 5,558,454 A 9/1996 Owen
 D398,639 S * 9/1998 Merrick D19/1
 5,836,710 A 11/1998 Owen
 5,911,442 A 6/1999 Olson

6,068,423 A 5/2000 Owen
 D443,894 S 6/2001 Schwartz
 D447,770 S 9/2001 Chan
 6,364,366 B1 4/2002 Schwartz
 6,409,409 B2 6/2002 Bauman
 8,117,774 B2 2/2012 Meltzer
 8,141,282 B2 * 3/2012 Goodfellow B42F 21/045
 40/641
 D667,494 S 9/2012 Sato
 D679,753 S 4/2013 Sato
 D680,166 S 4/2013 Sato
 D681,110 S 4/2013 Sato
 D681,111 S 4/2013 Sato
 8,778,474 B2 7/2014 Sato
 D772,338 S 11/2016 Sato
 9,527,331 B2 12/2016 Sato
 D787,598 S * 5/2017 Carr D20/27
 D790,628 S * 6/2017 Klosky D19/26

OTHER PUBLICATIONS

Post-it Note tabs by Post-it, on Amazon.com, date first available on Amazon Mar. 5, 2010, first of 3 reviews dated 2010.

* cited by examiner

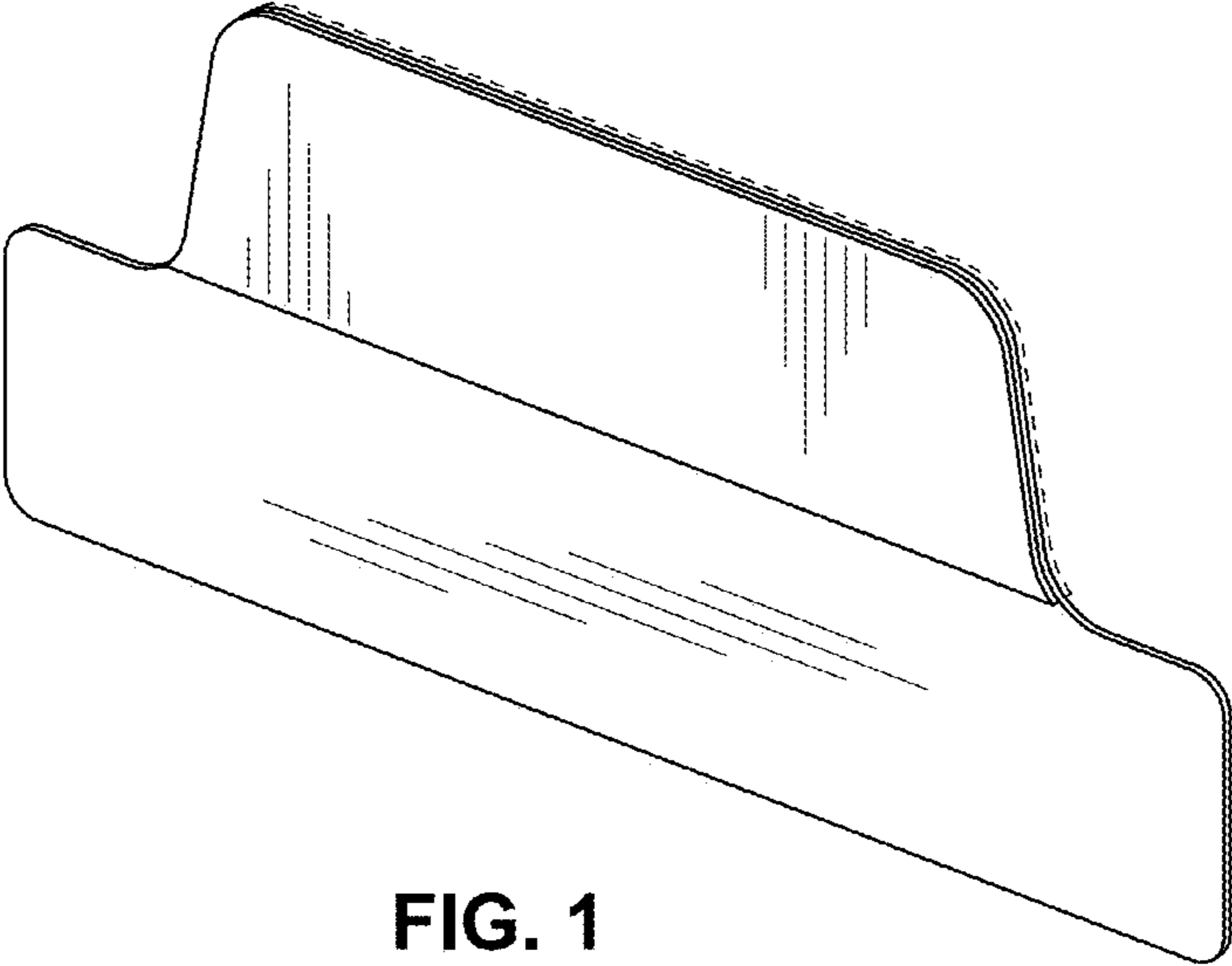


FIG. 1

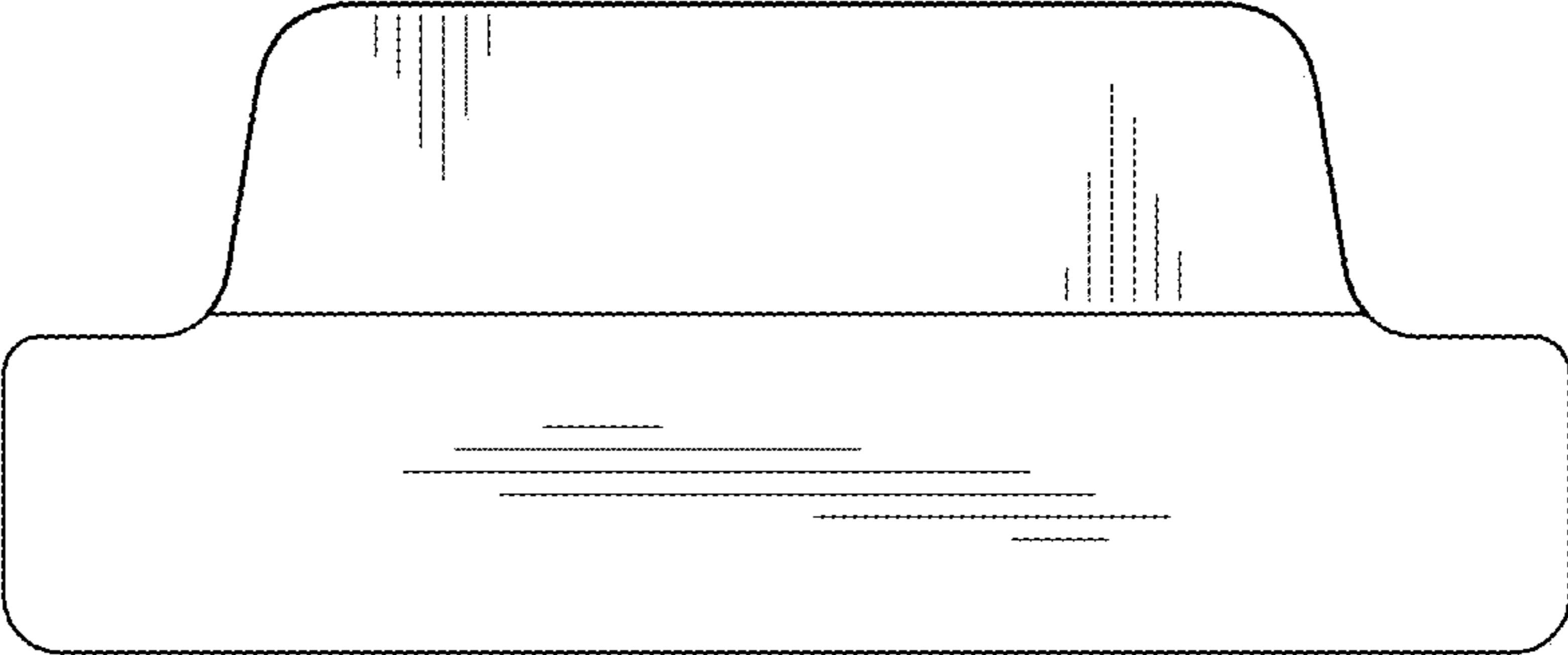


FIG. 2

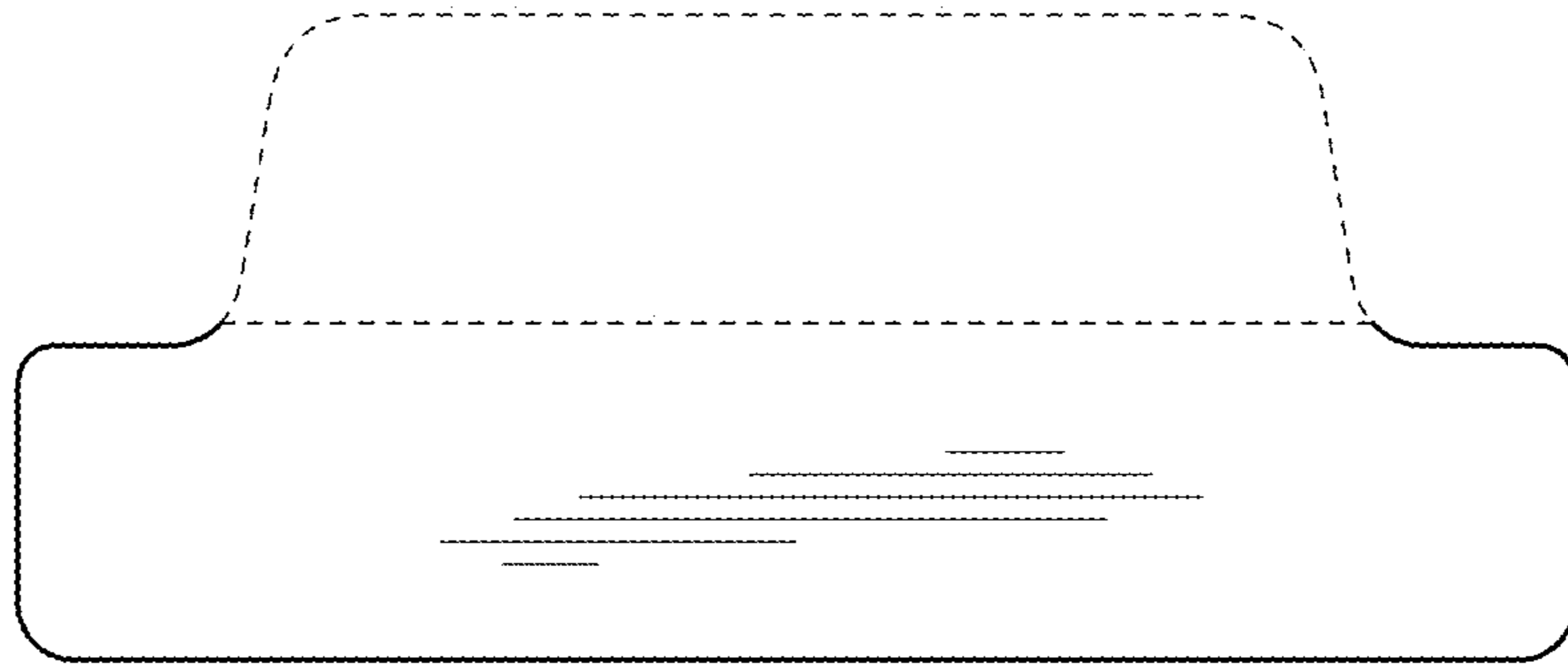


FIG. 3

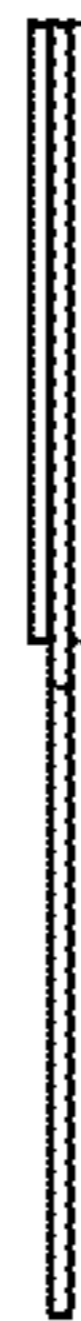


FIG. 4

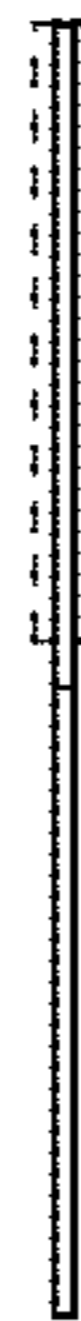


FIG. 5

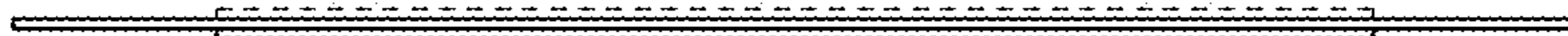


FIG. 6

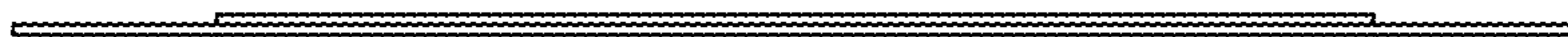


FIG. 7