



US00D921748S

(12) **United States Design Patent** (10) **Patent No.:** **US D921,748 S**
Karlsboeck et al. (45) **Date of Patent:** **** Jun. 8, 2021**

(54) **COMBINED PRINT LIQUID SUPPLY CAP AND KEY**

5,074,344 A 12/1991 Vacek
5,089,854 A 2/1992 Kaneda
D329,659 S 9/1992 Mizukami
D332,280 S 1/1993 Yoshida
D338,232 S 8/1993 Kotaki

(71) Applicant: **HEWLETT-PACKARD DEVELOPMENT COMPANY, L.P.**,
Houston, TX (US)

(Continued)

FOREIGN PATENT DOCUMENTS

(72) Inventors: **Bernd Karlsboeck**, Sant Cugat del Valles (ES); **Judson M. Leiser**, Corvallis, OR (US); **Miquel Boleda Busquets**, Sant Cugat del Valles (ES); **Michael E. Peterschmidt**, Albany, OR (US)

EP 1462263 9/2004
EP 1950625 A2 * 7/2008 G03G 21/1676
JP D1425923 * 10/2011

OTHER PUBLICATIONS

(73) Assignee: **Hewlett-Packard Development Company, L.P.**, Spring, TX (US)

Amazon. Link: https://www.amazon.com/dp/B00VIY7LUO/ref=cm_sw_r_tw_dp_U_x_plaSEbYDKVPTW. Sep. 30, 2014. CISinks Continuous Ink Supply System for Brother Printers (LC103 LC101). (Year: 2014).*

(**) Term: **15 Years**

Primary Examiner — Lauren D McVey

(21) Appl. No.: **29/656,528**

(74) *Attorney, Agent, or Firm* — Fabian VanCott

(22) Filed: **Jul. 13, 2018**

(51) **LOC (13) Cl.** **16-03**

(57) **CLAIM**

(52) **U.S. Cl.**
USPC **D18/43**

The ornamental design for a combined print liquid supply cap and key, as shown and described.

(58) **Field of Classification Search**
USPC D18/40-45, 56
CPC G03G 15/0894; G03G 15/0898; G03G 21/1661; G03G 15/0872; G03G 15/0874; G03G 15/0868; G03G 15/087; G03G 15/0877; G03G 15/0875; G03G 15/0896; G03G 21/18; G03G 21/1803; G03G 21/1807; G03G 21/1666; G03G 21/1671; G03G 21/1676; G03G 21/168; G03G 21/1685; G03G 21/169; G03G 21/1695
See application file for complete search history.

DESCRIPTION

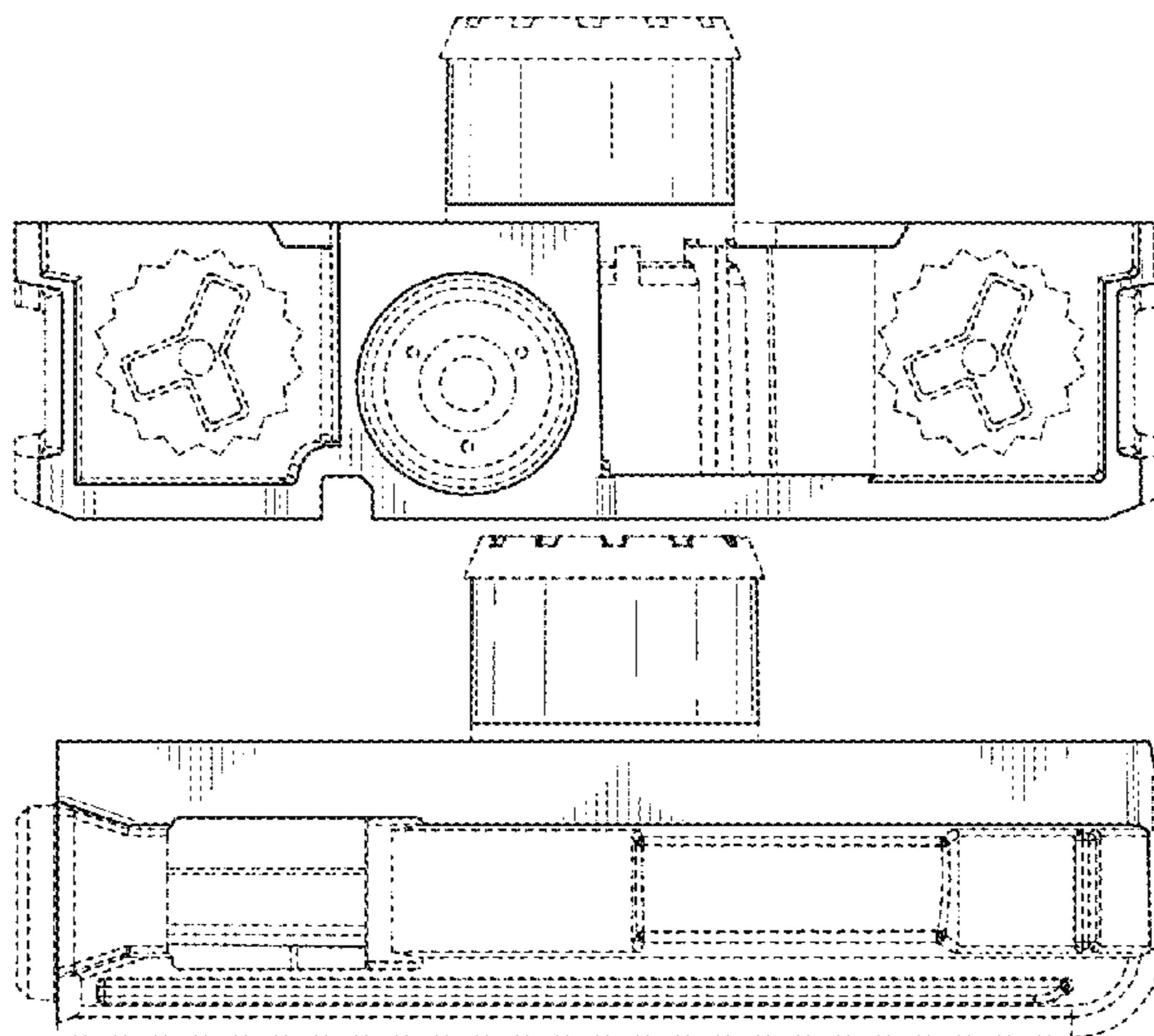
FIG. 1 is a front, top, and first side perspective view of a combined print liquid supply cap and key showing my new design;
FIG. 2 is a rear, top, and first side perspective view thereof;
FIG. 3 is a front elevation view thereof;
FIG. 4 is a rear elevation view thereof;
FIG. 5 is a second side elevation view thereof;
FIG. 6 is a first side elevation view thereof;
FIG. 7 is a top plan view thereof; and,
FIG. 8 is a bottom plan view thereof.
Those portions of the Figures shown in broken lines are included for environmental purposes only and form no part of the claimed design.

(56) **References Cited**

U.S. PATENT DOCUMENTS

D307,767 S 5/1990 Tsumuro
D320,044 S 9/1991 Corby

1 Claim, 6 Drawing Sheets



(56)

References Cited

U.S. PATENT DOCUMENTS

D341,619 S 11/1993 Ujita
 D341,620 S 11/1993 Ujita
 D344,284 S 2/1994 Suzuki
 D346,819 S 5/1994 Taniguchi
 D348,479 S 7/1994 Ujita
 D351,187 S 10/1994 Suga
 D351,855 S 10/1994 Kubota
 D352,059 S 11/1994 Kubota
 D352,060 S 11/1994 Kubota
 D355,210 S 2/1995 Kubota
 D355,213 S 2/1995 Kubota
 D355,215 S 2/1995 Kubota
 D355,929 S 2/1995 Kubota
 D356,332 S 3/1995 Kubota
 D356,814 S 3/1995 Suzuki
 D362,676 S 9/1995 Shimizu
 D363,736 S 10/1995 Ujita
 D365,119 S 12/1995 Ujita
 D365,596 S 12/1995 Miyazawahisashi
 D371,803 S 7/1996 Kawashima
 D376,170 S 12/1996 Nagashima
 D378,760 S 4/1997 Shinada
 D382,296 S 8/1997 Shinada
 D397,143 S 8/1998 Kobayashi
 D400,575 S 11/1998 Kobayashi
 D413,621 S 9/1999 Ichimaru
 D425,112 S 5/2000 Shinada
 D425,285 S 5/2000 Shinada
 D425,550 S 5/2000 Kurisu
 D435,586 S 12/2000 Kunihiro
 D442,221 S 5/2001 Seino
 D444,495 S 7/2001 Taniguchi
 6,402,308 B1 6/2002 Hattori et al.
 D471,584 S * 3/2003 Sugata B41J 2/17509
 D18/43
 6,530,654 B2 3/2003 Kitabatake
 D482,061 S 11/2003 Shinada
 D494,851 S * 8/2004 Uchiyama D18/43
 D501,504 S 2/2005 Yamada

D529,954 S * 10/2006 Matsumoto D18/56
 D533,587 S * 12/2006 Andoh D18/56
 D540,375 S 4/2007 Katsuyama
 7,553,007 B2 * 6/2009 Hattori B41J 2/17513
 347/100
 7,682,004 B2 * 3/2010 Hattori B41J 2/17513
 347/84
 7,775,645 B2 * 8/2010 Hattori B41J 2/17559
 347/86
 7,806,523 B2 * 10/2010 Seino B41J 2/1752
 347/86
 7,810,916 B2 * 10/2010 Hattori B41J 29/02
 347/86
 7,828,421 B2 * 11/2010 Hattori B41J 2/17566
 347/86
 7,837,311 B2 * 11/2010 Hattori B41J 2/17513
 347/86
 D634,777 S * 3/2011 Perrill D18/56
 8,025,376 B2 * 9/2011 Hattori B41J 2/17543
 347/86
 D662,975 S 7/2012 Hatch
 D669,118 S 10/2012 Wegman
 D698,388 S * 1/2014 Nodera D18/43
 D698,857 S * 2/2014 Nodera D18/43
 D698,858 S * 2/2014 Nodera D18/43
 8,801,126 B2 8/2014 Karasawa et al.
 D744,586 S * 12/2015 Chung D15/122
 D759,155 S 6/2016 Williamson
 D759,156 S 6/2016 Williamson
 D759,157 S 6/2016 Williamson
 D762,260 S 7/2016 Oya
 D807,955 S * 1/2018 Toba D18/43
 D831,738 S * 10/2018 Kang D18/43
 D832,338 S * 10/2018 Lee D18/43
 D859,518 S * 9/2019 Cheyng D18/43
 2005/0052511 A1 3/2005 Seino
 2005/0068382 A1 * 3/2005 Kimura B41J 2/1752
 347/85
 2013/0114972 A1 * 5/2013 Takarada G03G 21/1867
 399/110
 2013/0169720 A1 7/2013 Nakamura et al.
 * cited by examiner

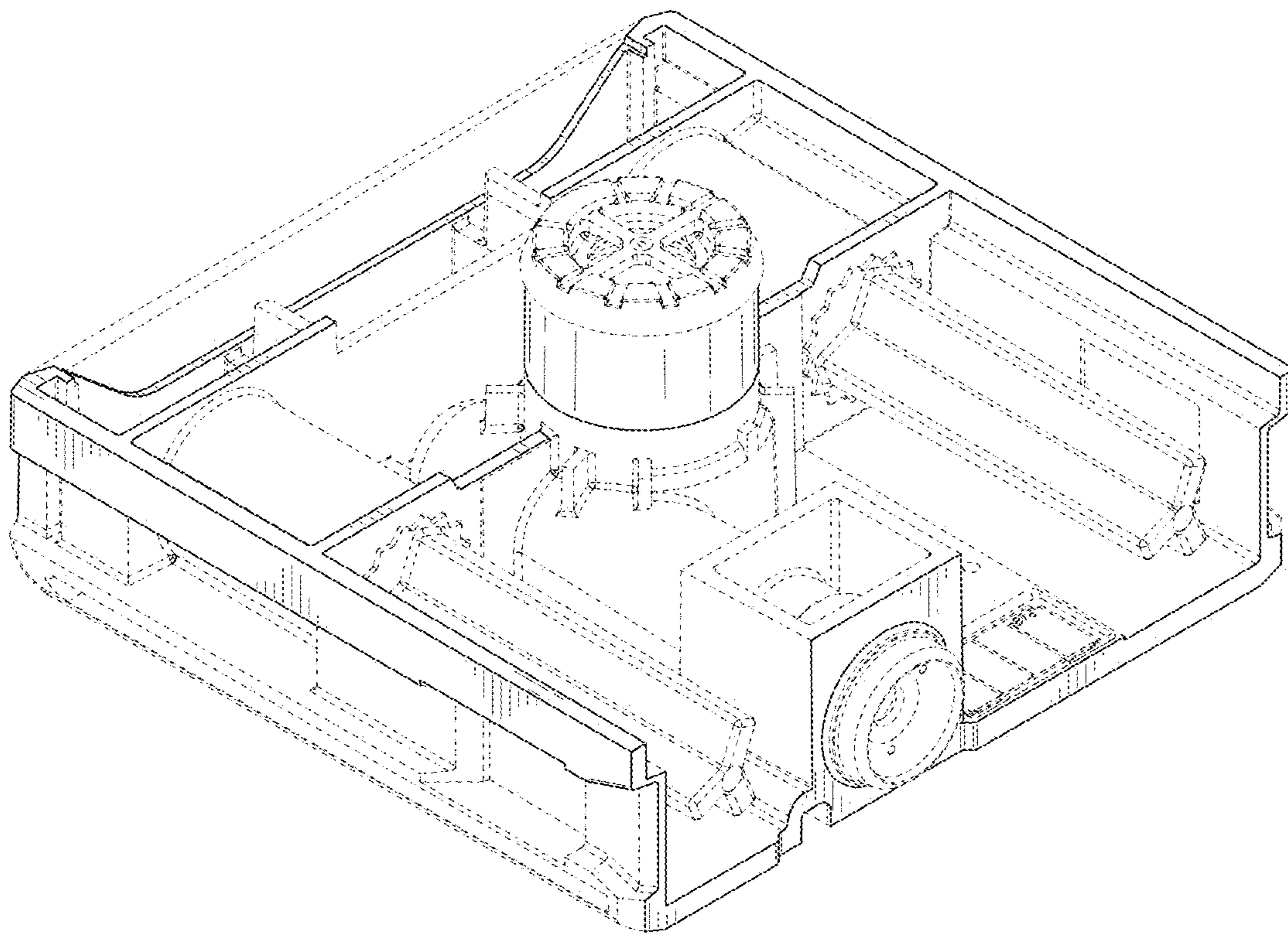


FIG. 1

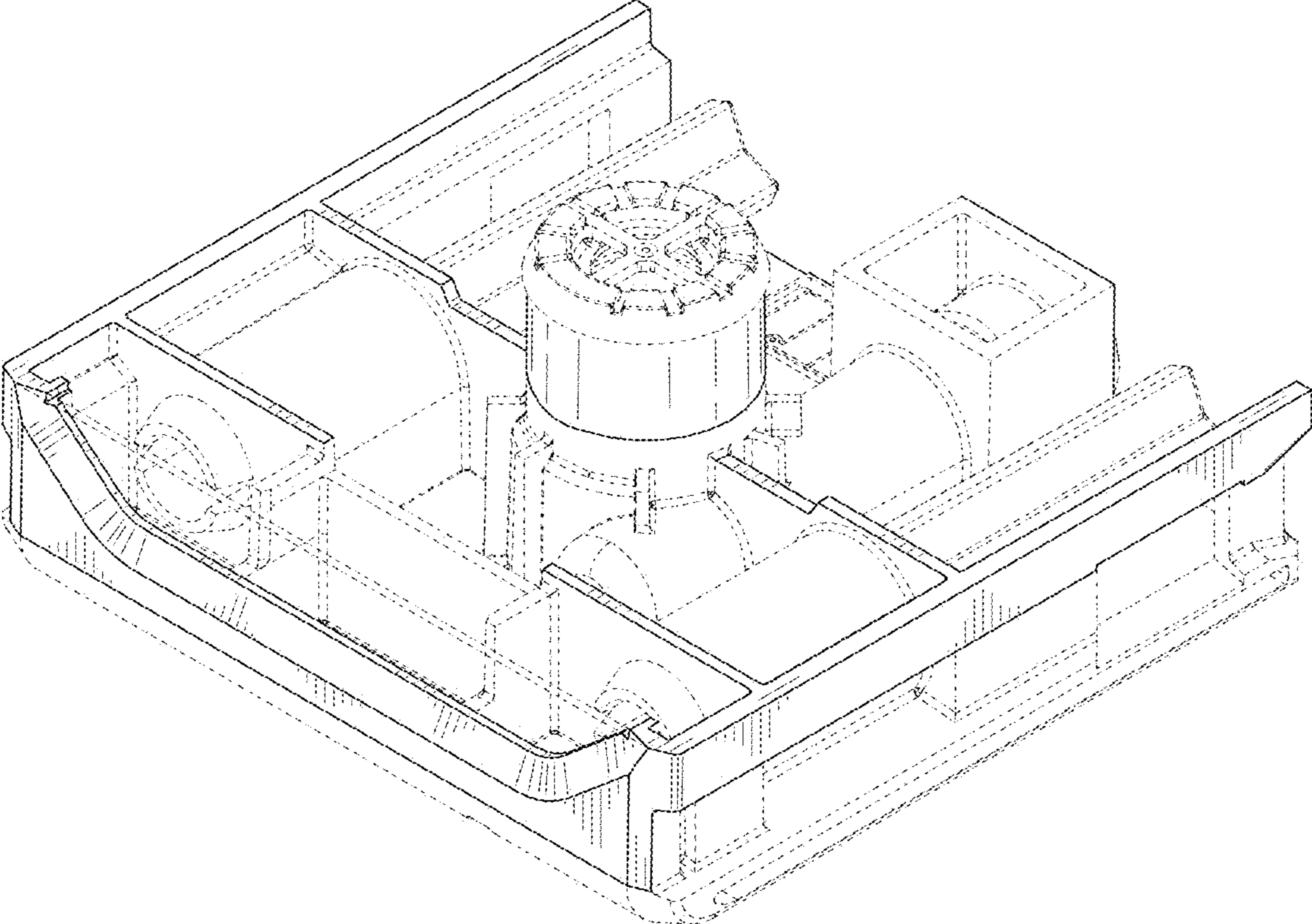


FIG. 2

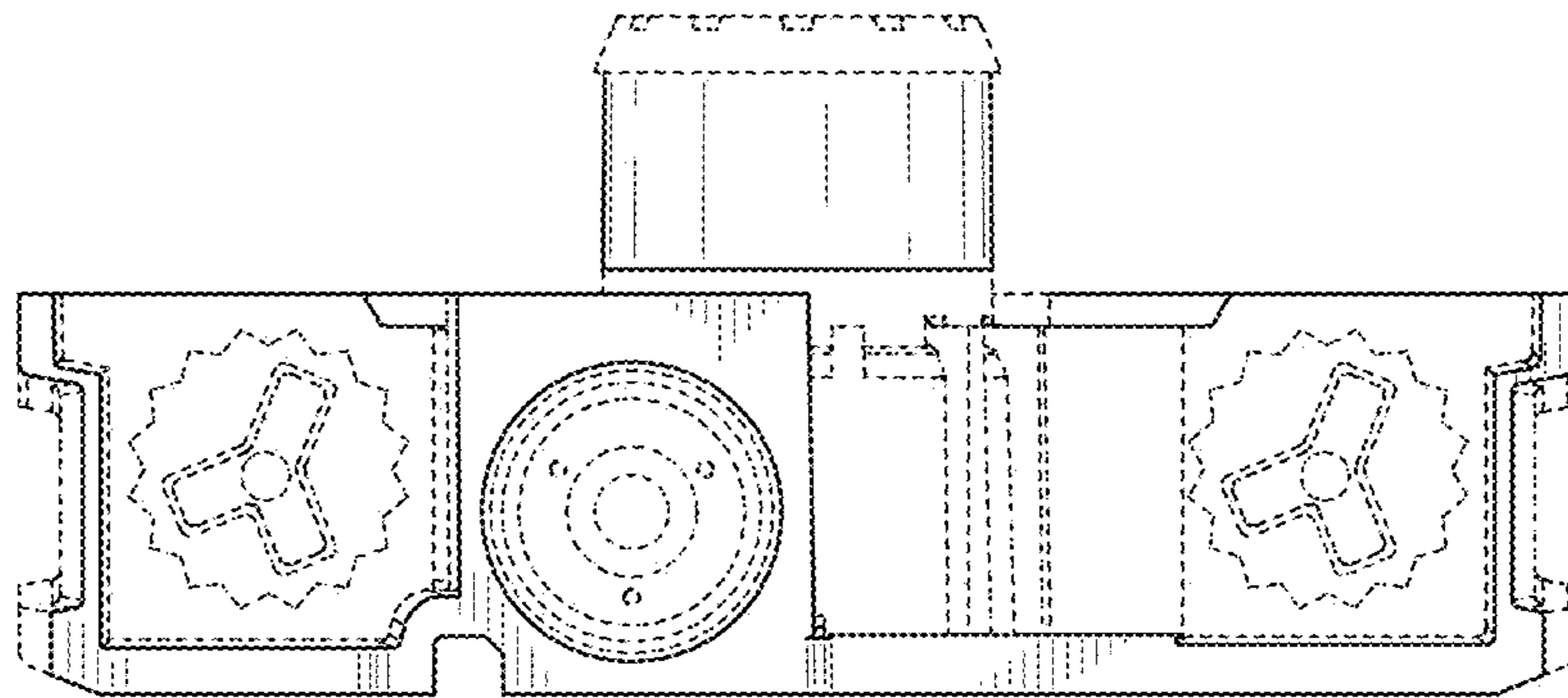


FIG. 3

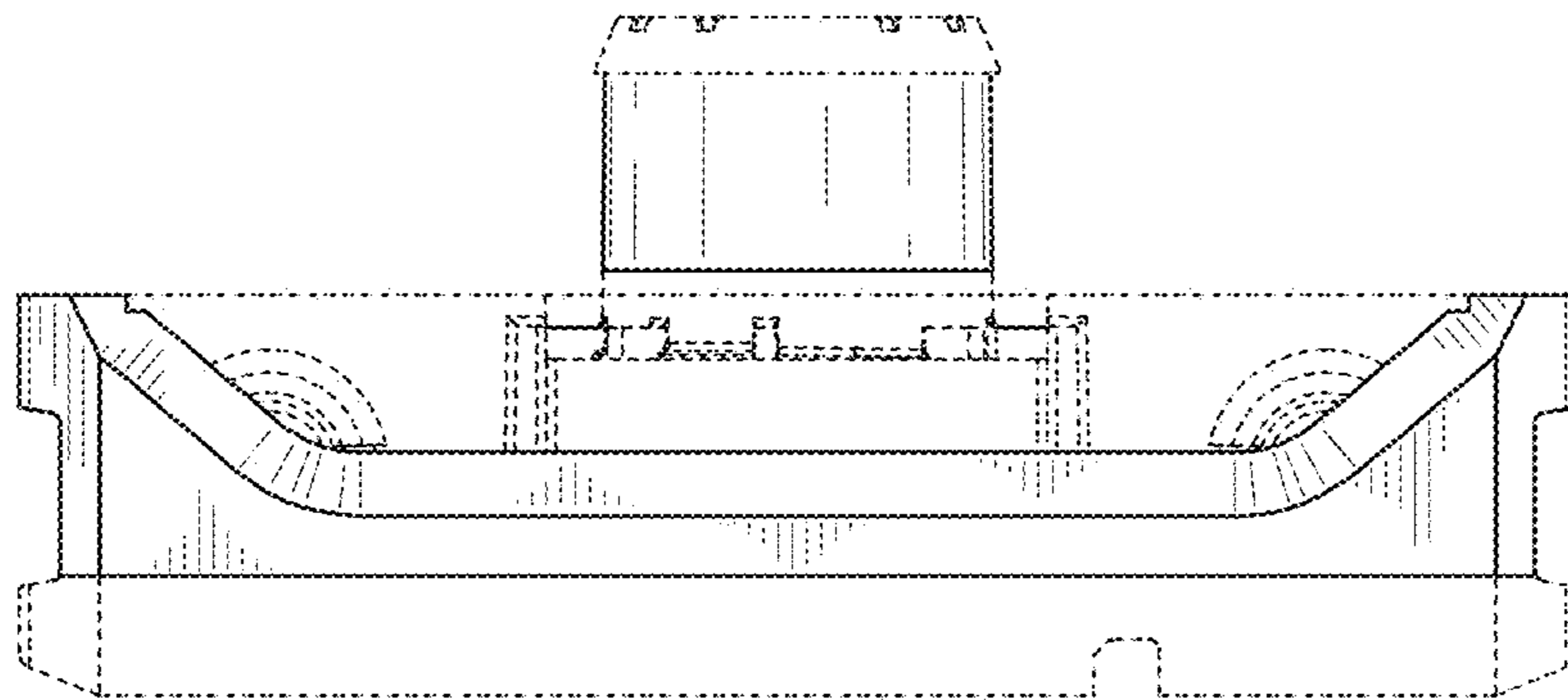


FIG. 4

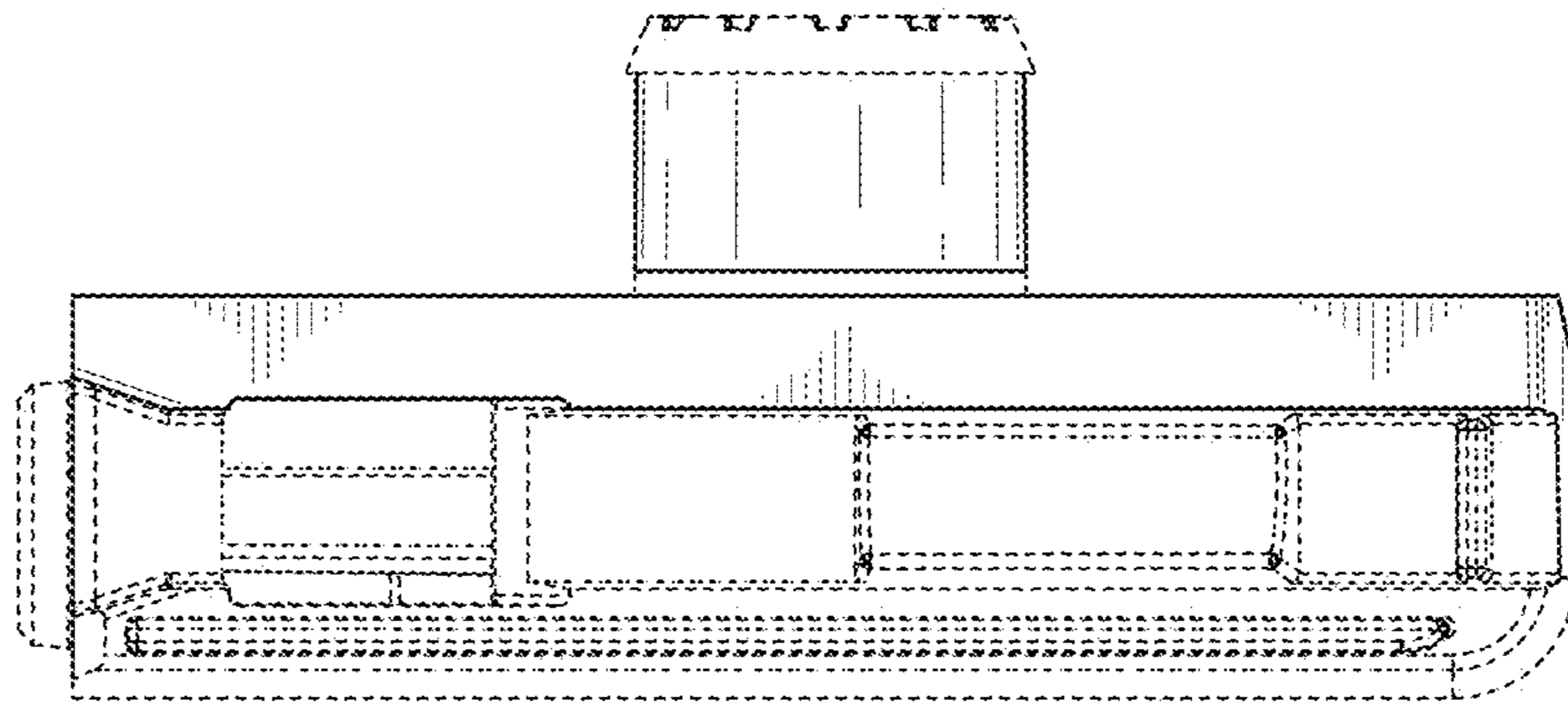


FIG. 5

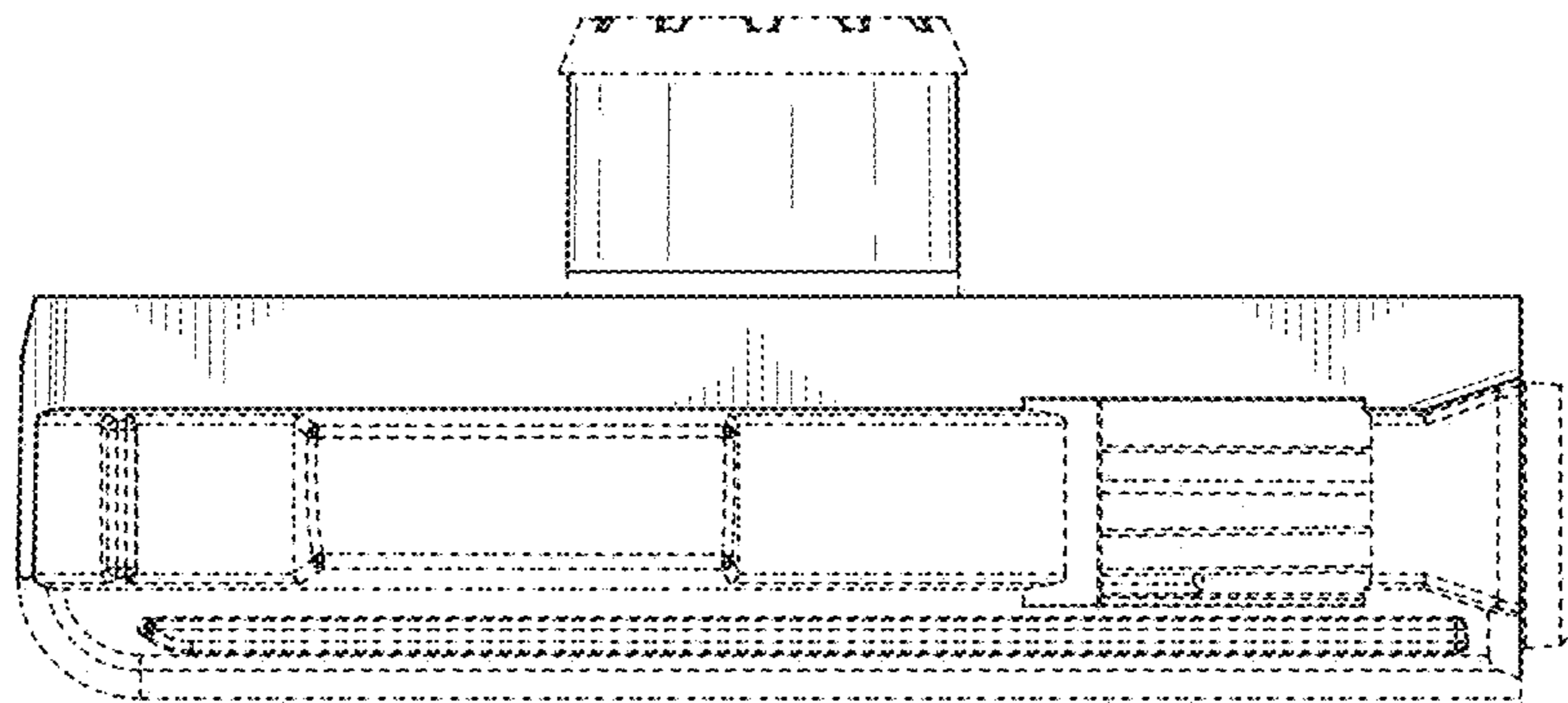


FIG. 6

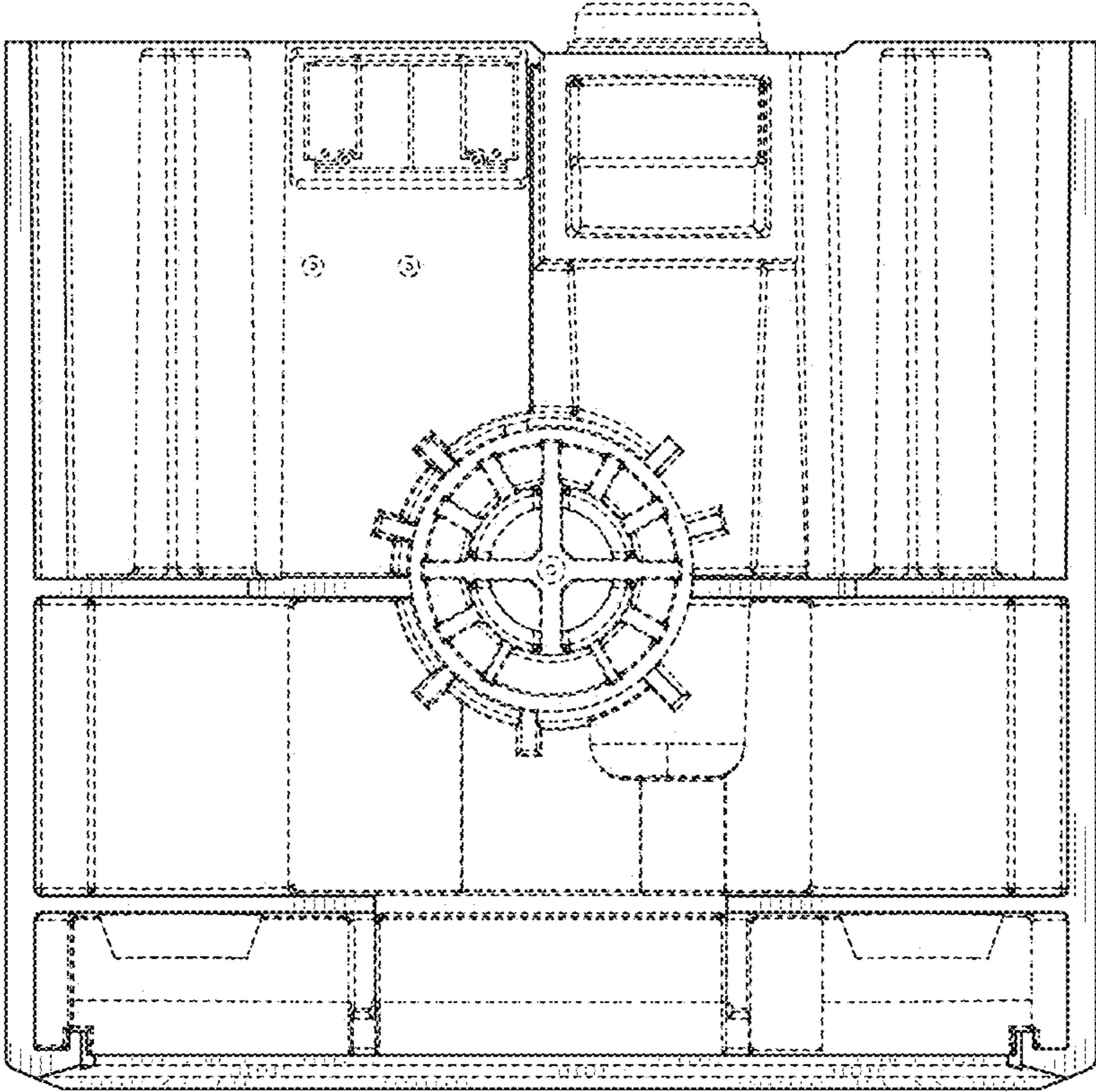


FIG. 7

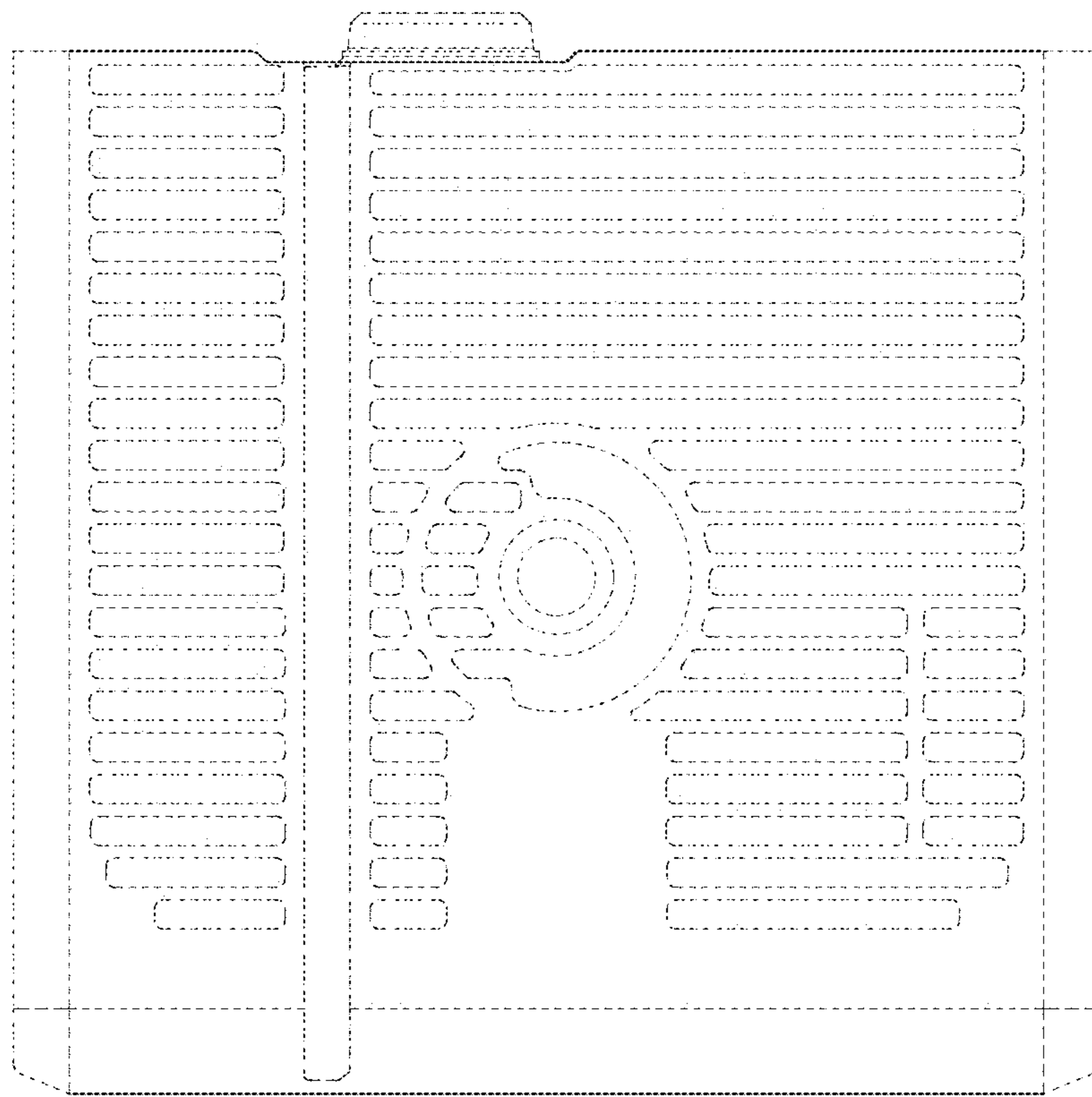


FIG. 8