



US00D921741S

(12) **United States Design Patent**
Tanaka et al.

(10) **Patent No.:** **US D921,741 S**

(45) **Date of Patent:** **** Jun. 8, 2021**

(54) **PROJECTOR**

(71) Applicant: **FUJIFILM Corporation**, Tokyo (JP)

(72) Inventors: **Kunihiko Tanaka**, Saitama (JP); **Koji Yoshida**, Saitama (JP)

(73) Assignee: **FUJIFILM Corporation**, Tokyo (JP)

(**) Term: **15 Years**

(21) Appl. No.: **29/680,808**

(22) Filed: **Feb. 20, 2019**

(30) **Foreign Application Priority Data**

Aug. 31, 2018 (JP) 2018-019072

(51) **LOC (13) Cl.** **16-02**

(52) **U.S. Cl.**
USPC **D16/235**

(58) **Field of Classification Search**
USPC D16/221-235, 219, 136; D21/514
See application file for complete search history.

(56) **References Cited**

U.S. PATENT DOCUMENTS

D98,924 S * 3/1936 Fassin D16/235
D331,768 S * 12/1992 Saeki D16/225

D333,829 S * 3/1993 Nash D16/235
D353,390 S * 12/1994 Zavracky D16/235
D355,206 S * 2/1995 Zavracky D16/235
D359,061 S * 6/1995 Omi D16/221
D388,111 S * 12/1997 Iida D16/231

* cited by examiner

Primary Examiner — Way Laymon

(74) *Attorney, Agent, or Firm* — Studebaker & Brackett
PC

(57) **CLAIM**

The ornamental design for a projector, as shown and described.

DESCRIPTION

FIG. 1 is a top left perspective view of a projector showing our new design;

FIG. 2 is a front view thereof;

FIG. 3 is a rear view thereof;

FIG. 4 is a top plan view thereof;

FIG. 5 is a bottom plan view thereof;

FIG. 6 is a right side view thereof; and,

FIG. 7 is a left side view thereof.

The broken lines illustrate portions of the projector and form no part of the claimed design.

1 Claim, 6 Drawing Sheets

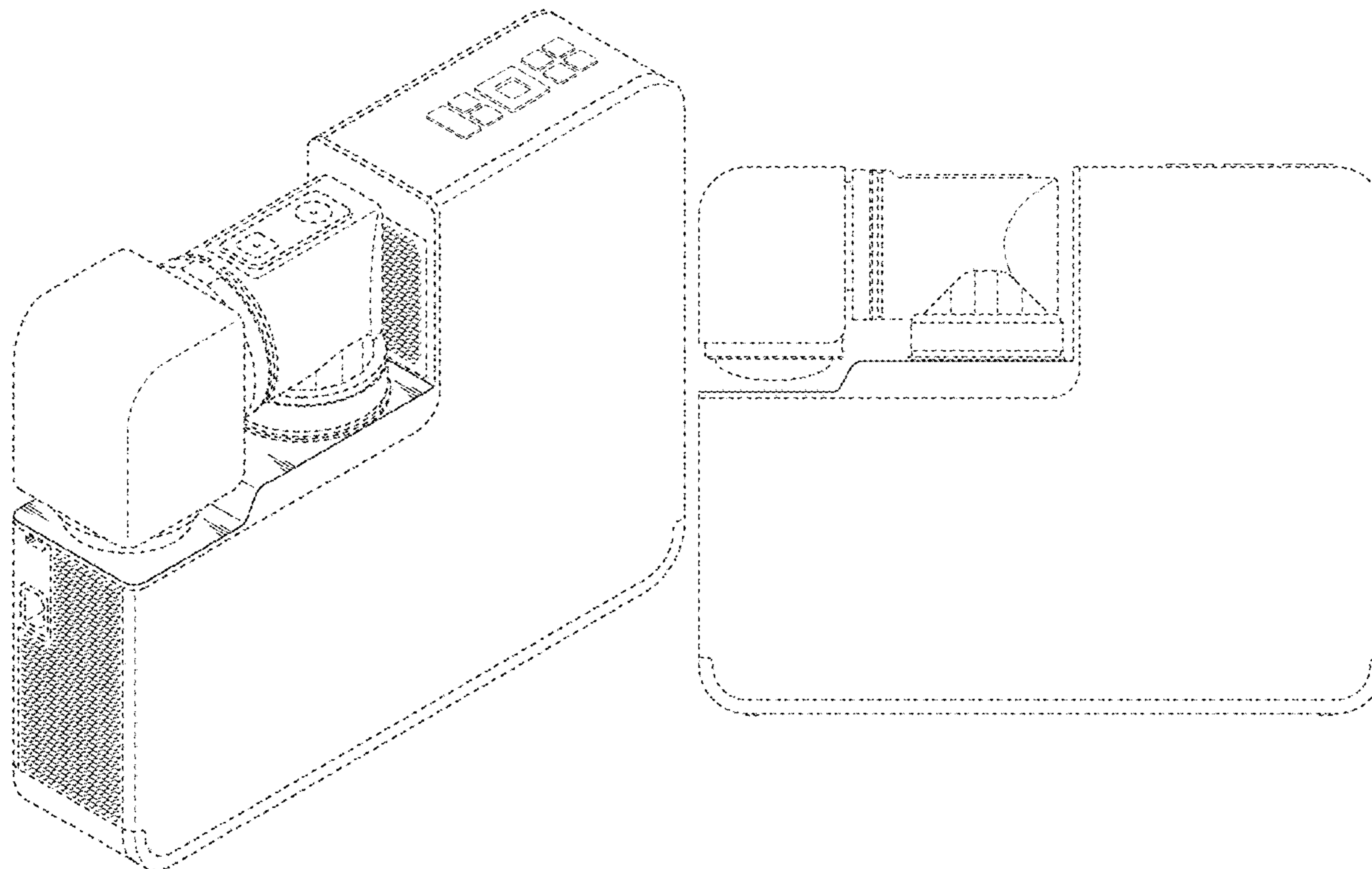


FIG. 1

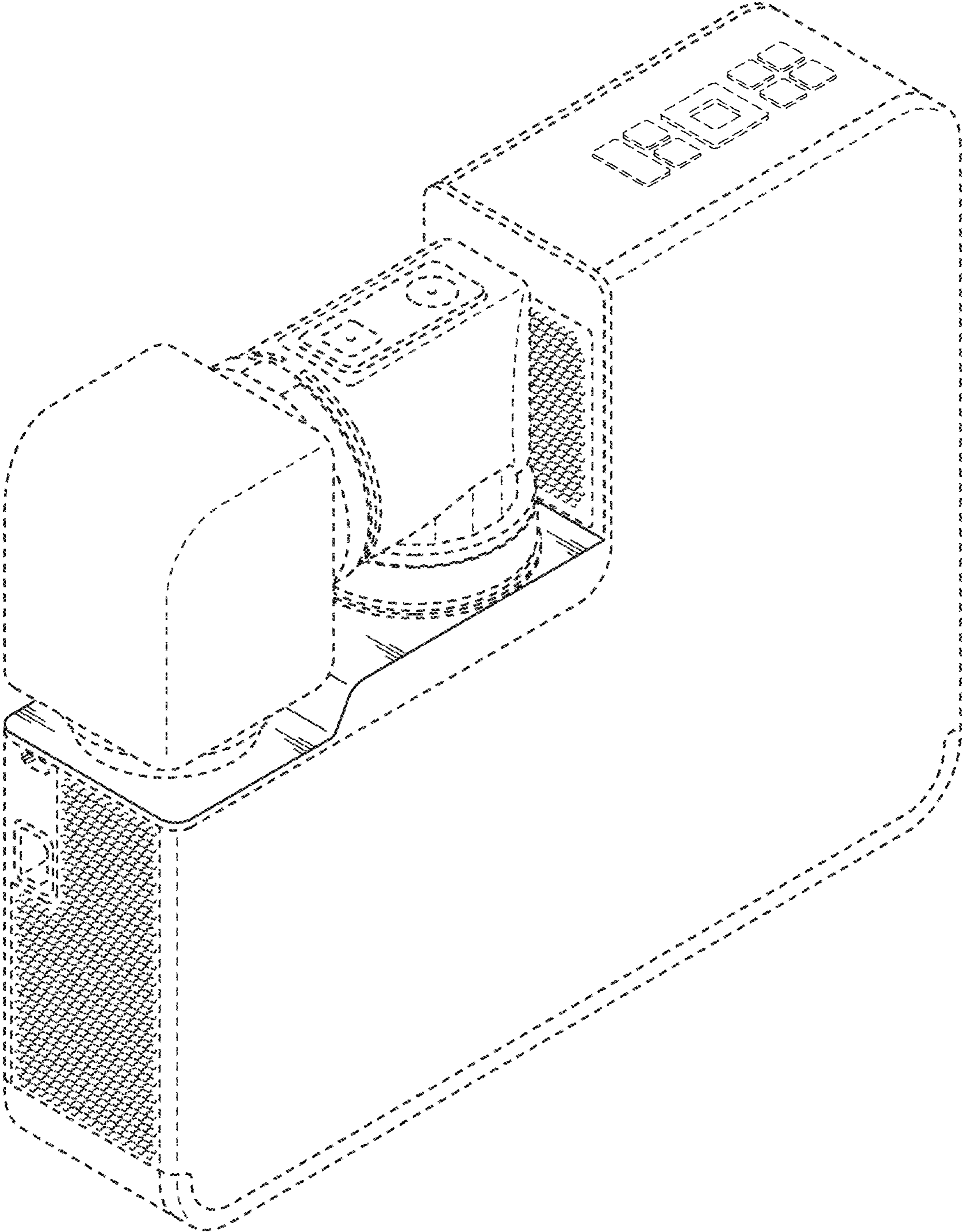


FIG. 2

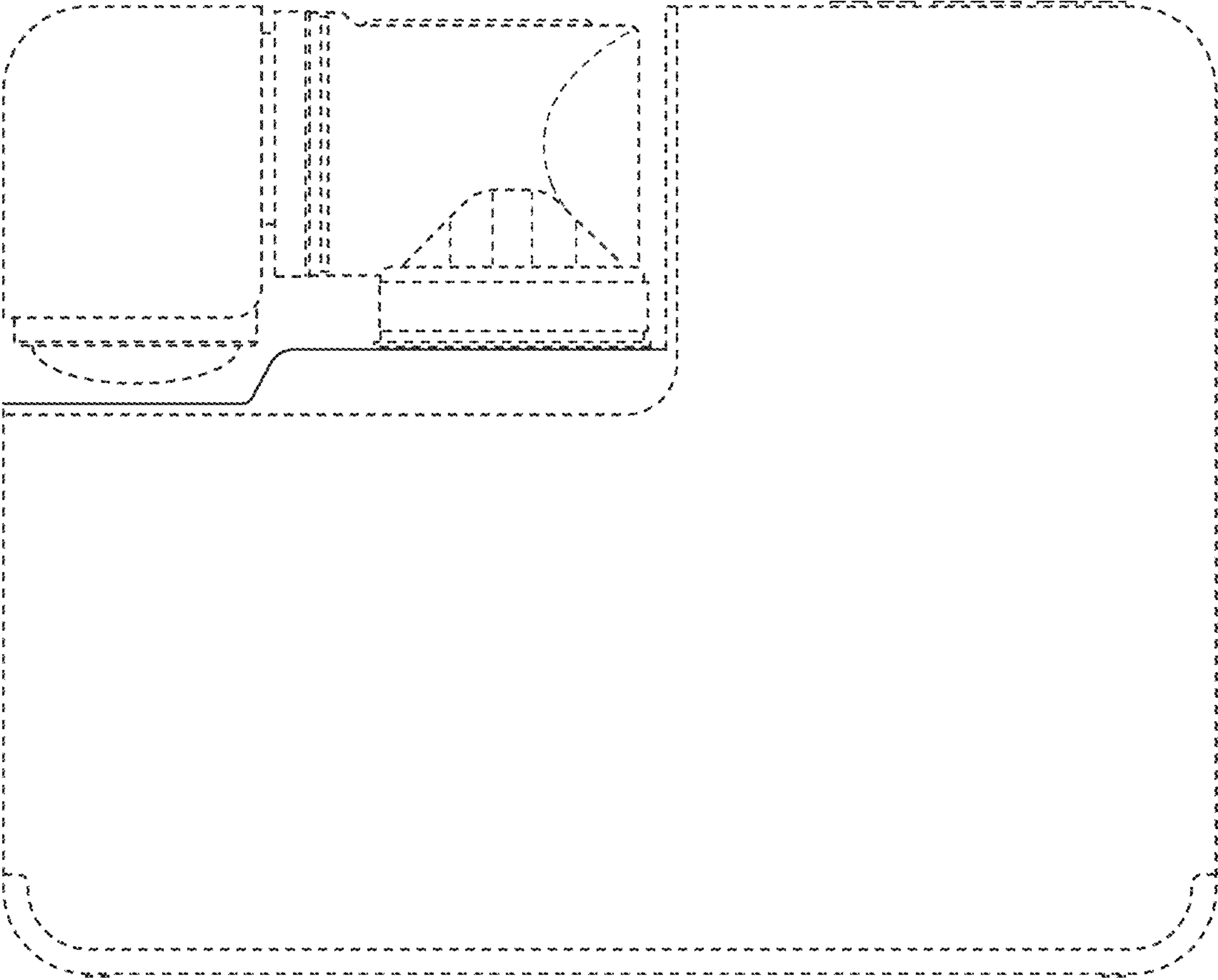


FIG. 3

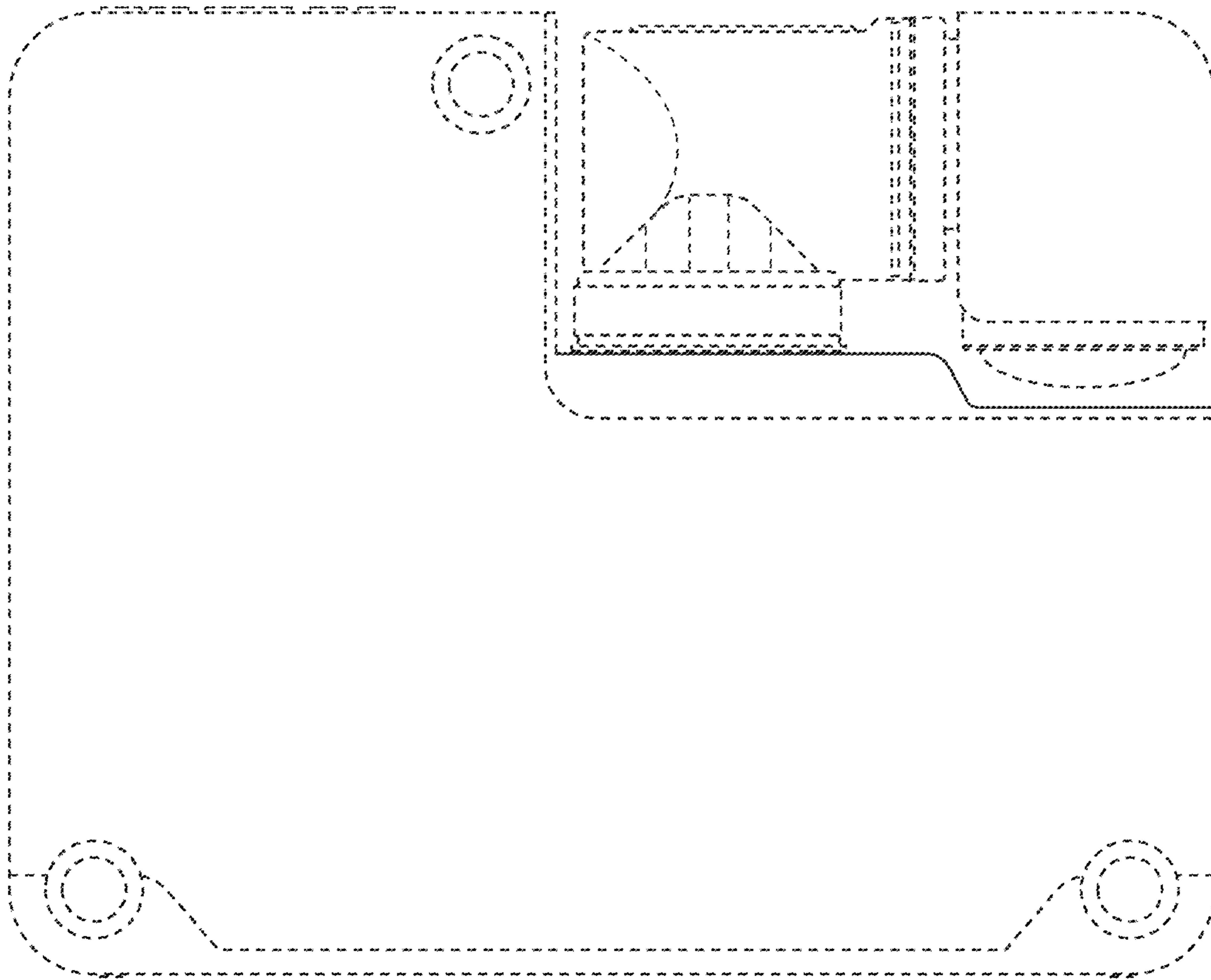


FIG. 4

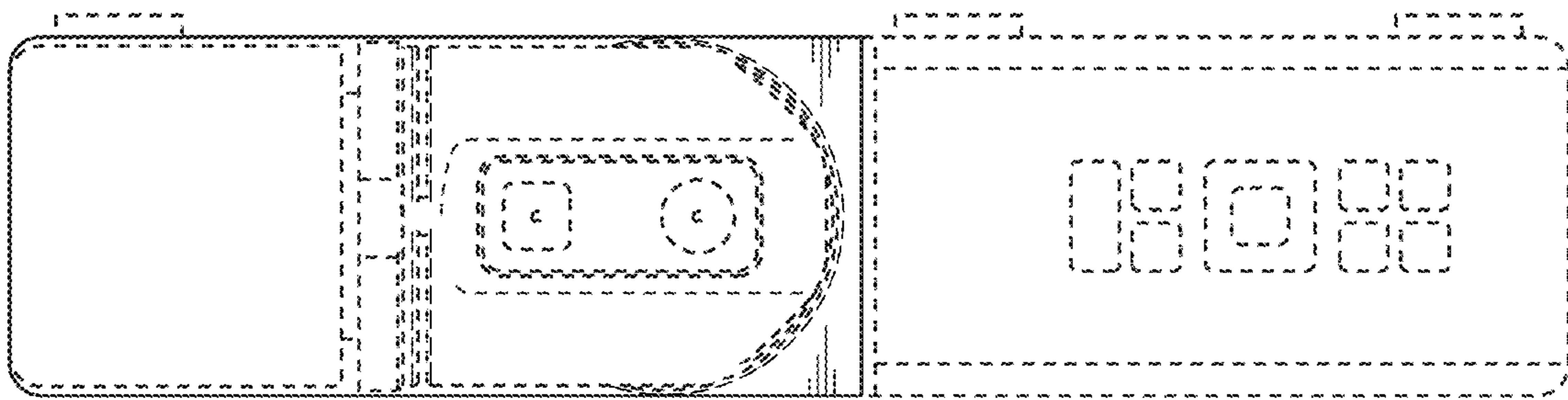


FIG. 5



FIG. 6

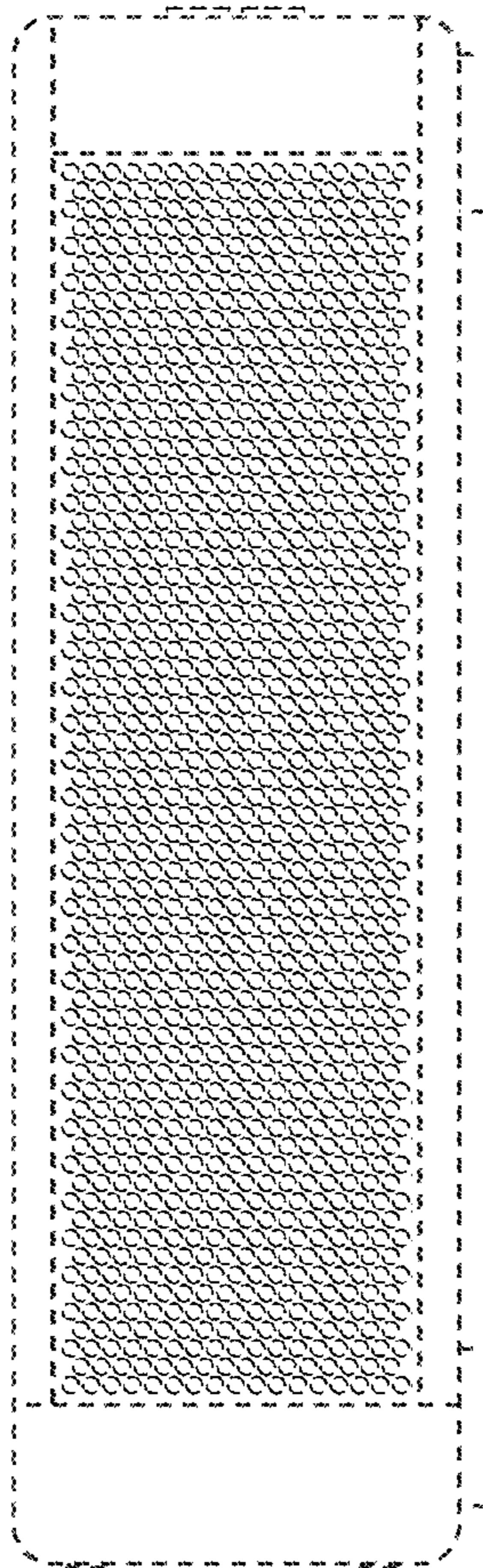


FIG. 7

