



US00D921738S

(12) **United States Design Patent**
Bayat et al.

(10) **Patent No.:** **US D921,738 S**
(45) **Date of Patent:** **** *Jun. 8, 2021**

(54) **THIN FILM CAMERA**

(71) Applicants: **Shafagh Bayat**, Seal Beach, CA (US);
Jeffrey Potter, Seal Beach, CA (US)

(72) Inventors: **Shafagh Bayat**, Seal Beach, CA (US);
Jeffrey Potter, Seal Beach, CA (US)

(*) Notice: This patent is subject to a terminal disclaimer.

(**) Term: **15 Years**

(21) Appl. No.: **29/635,267**

(22) Filed: **Jan. 30, 2018**

Related U.S. Application Data

(62) Division of application No. 15/810,002, filed on Nov. 10, 2017, now abandoned.

(51) **LOC (13) Cl.** **16-01**

(52) **U.S. Cl.**
USPC **D16/218**; D16/202

(58) **Field of Classification Search**
USPC D16/200, 202–206, 218, 219, 242;
D10/57, 70; 348/143, 148, 151, 164,
348/373–376; 396/419, 427, 535,
396/539–541
CPC G03B 17/02; G03B 19/04; G03B 17/56;
G03B 17/04; G03B 15/03; H04N 5/2251;
H04N 5/2252; H04N 5/2253; H04N
5/2254; H04N 7/181; H04N 7/183; H04N
7/18; G08B 13/1963; G08B 13/19619;
G08B 13/19632

See application file for complete search history.

(56) **References Cited**

U.S. PATENT DOCUMENTS

D502,197 S * 2/2005 Imai D16/202
D502,199 S * 2/2005 Imai D16/200

D506,767 S * 6/2005 Imai D16/200
D555,690 S * 11/2007 Choi D16/202
D594,893 S * 6/2009 Fong D16/237
D607,915 S * 1/2010 Fong D16/237
D676,894 S * 2/2013 Fairburn D16/242
D698,841 S * 2/2014 Lee D16/202
D730,963 S * 6/2015 Lin D16/200
D736,297 S * 8/2015 Kawasaki D16/218
D737,362 S * 8/2015 Chang D16/237
2008/0122966 A1* 5/2008 Feng H01L 27/14618
348/340
2008/0122970 A1* 5/2008 Lin G03B 17/045
348/373

* cited by examiner

Primary Examiner — Ramzi S Almatrahi

(74) *Attorney, Agent, or Firm* — Anthony Claiborne

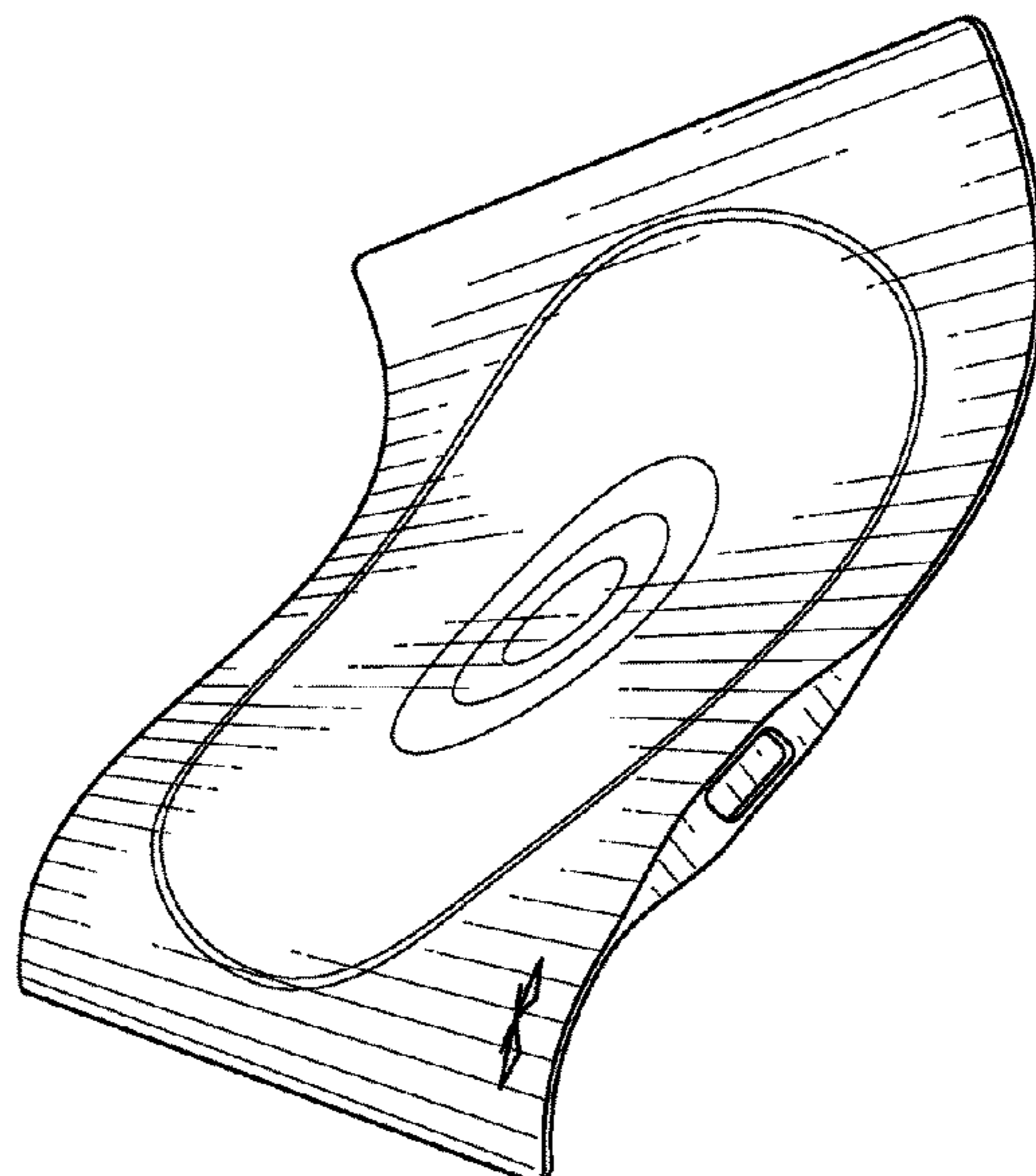
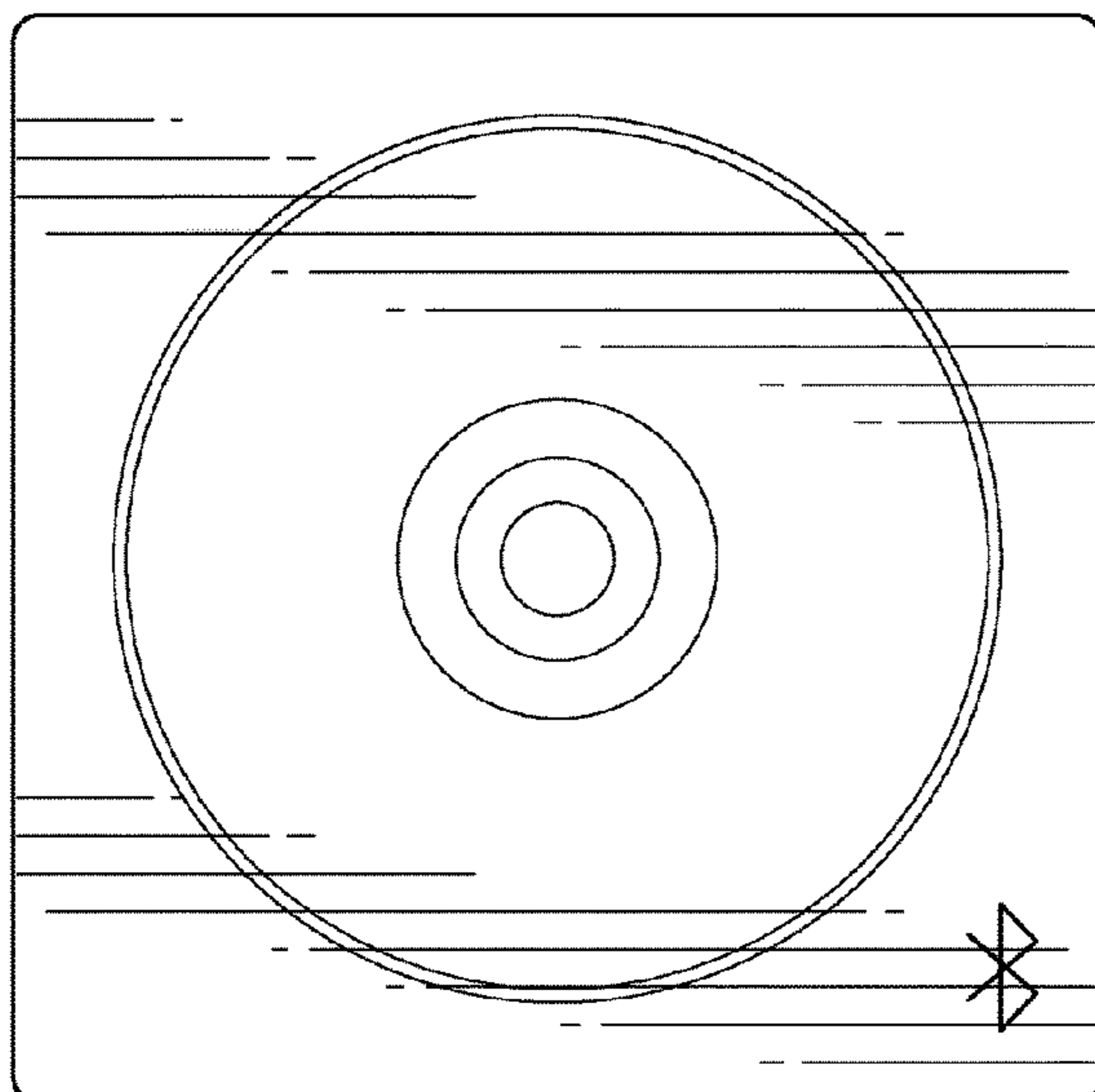
(57) **CLAIM**

The ornamental design for a thin film camera, as shown and described.

DESCRIPTION

FIG. 1 is a front elevation view of a thin film camera showing our new design;
FIG. 2 is a rear elevation view thereof;
FIG. 3 is a side elevation view thereof;
FIG. 4 is a side perspective view of the thin film camera shown slightly bent;
FIG. 5 is a front elevation view of the thin film camera shown fully bent;
FIG. 6 is a front perspective view of the thin film camera shown fully bent;
FIG. 7 is a rear and side perspective view of the thin film camera shown fully bent; and,
FIG. 8 is a front and side perspective view of the thin film camera shown bent in an alternate position.

1 Claim, 4 Drawing Sheets



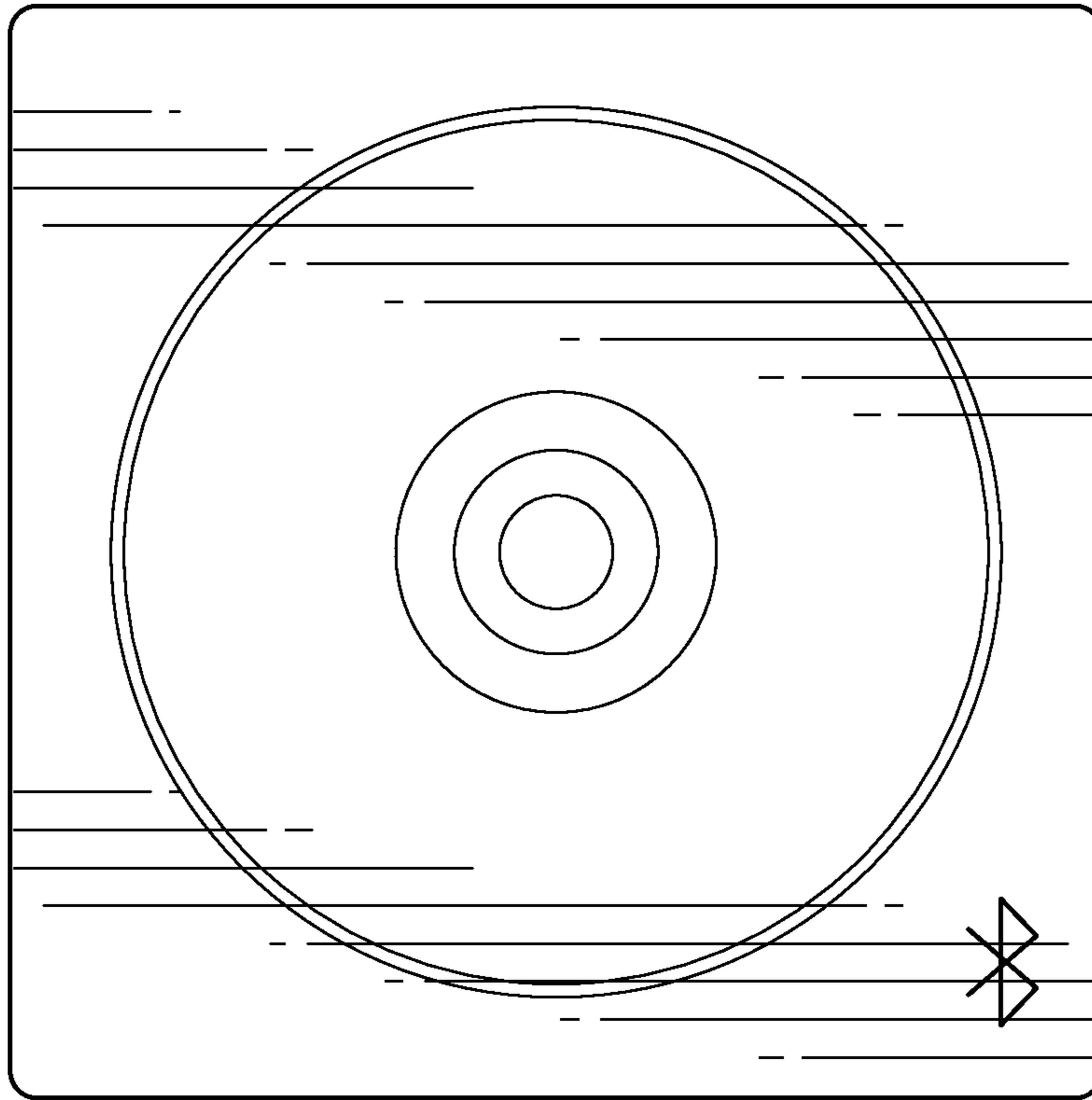


FIG. 1

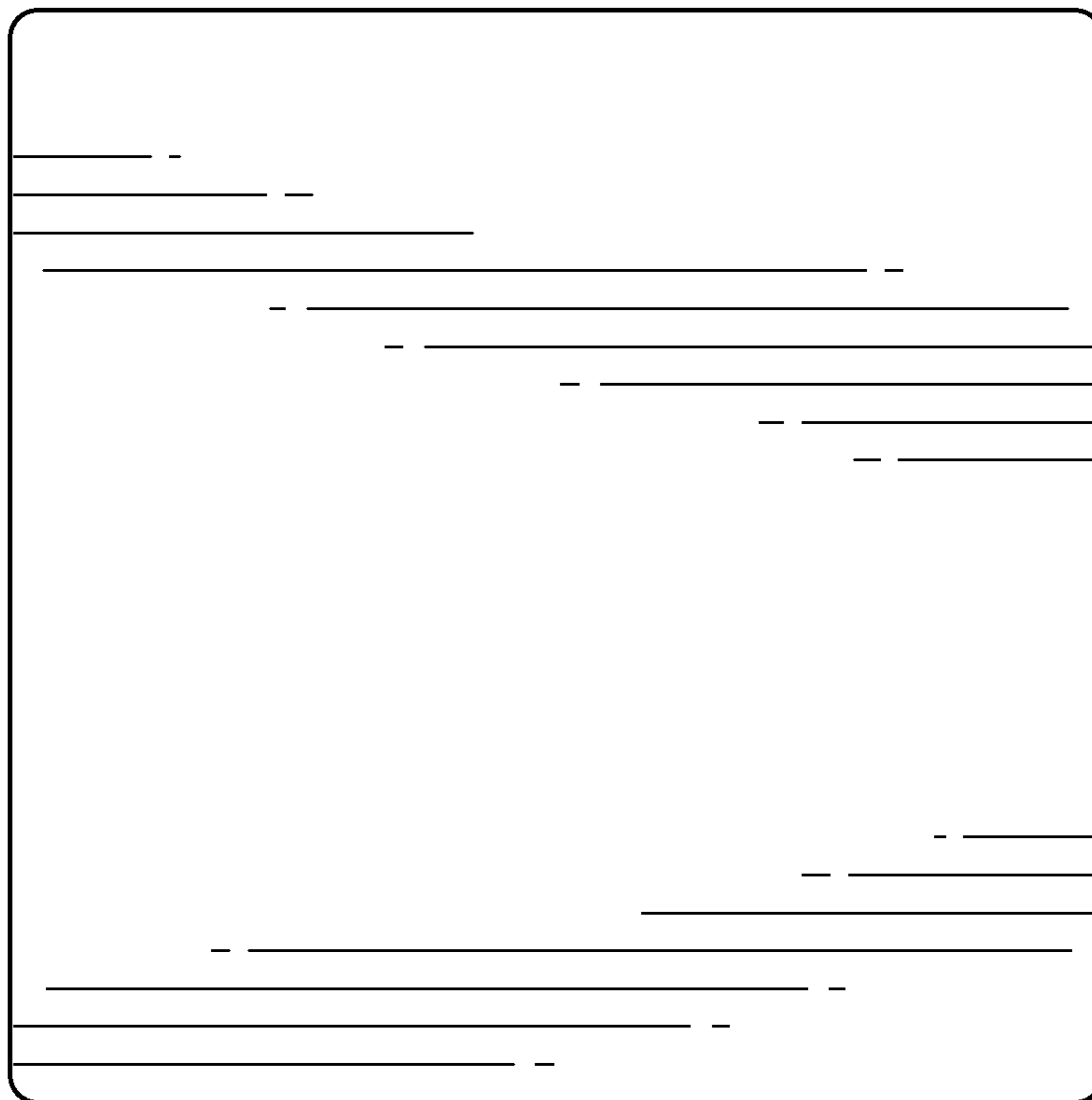


FIG. 2



FIG. 3

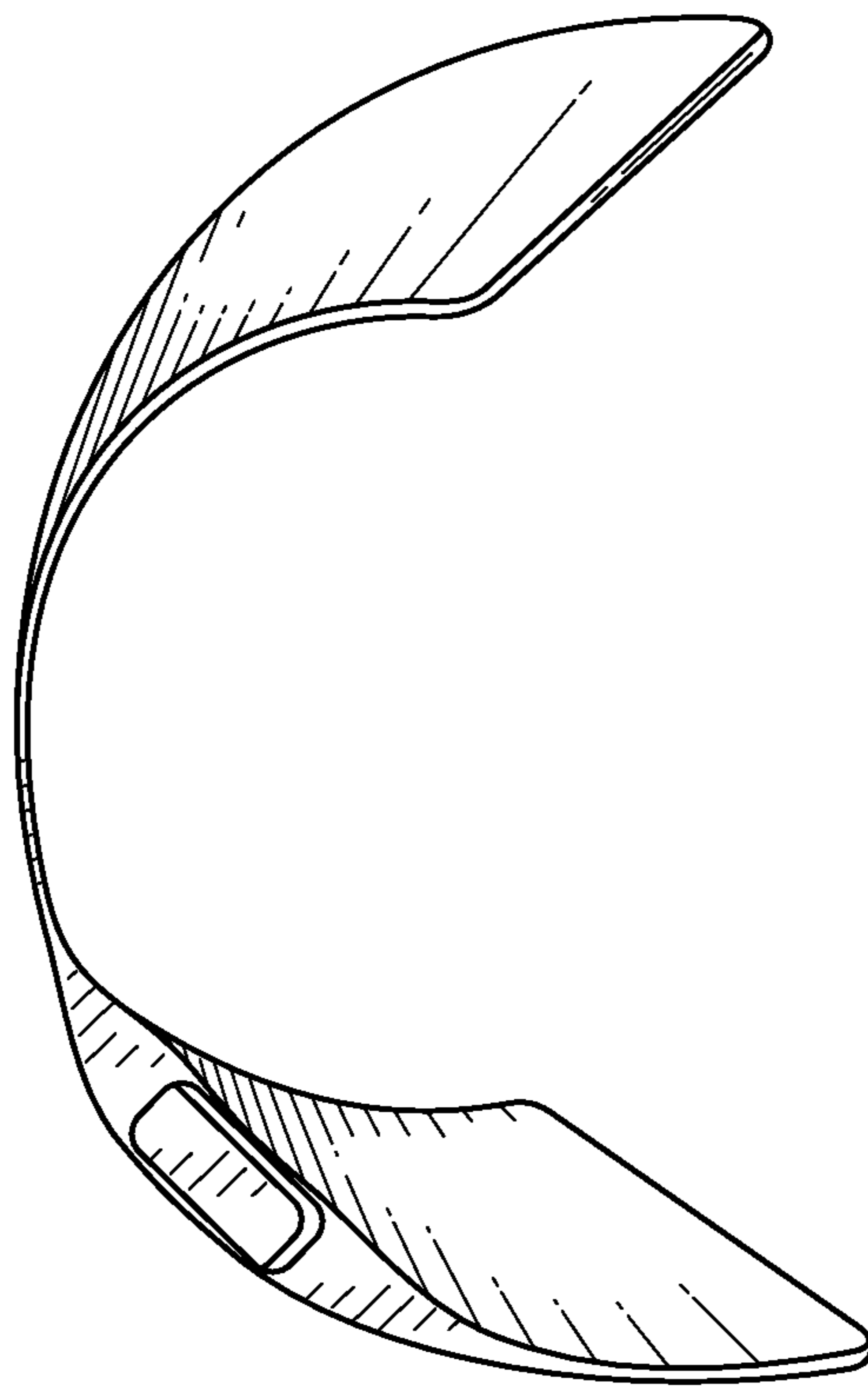


FIG. 4

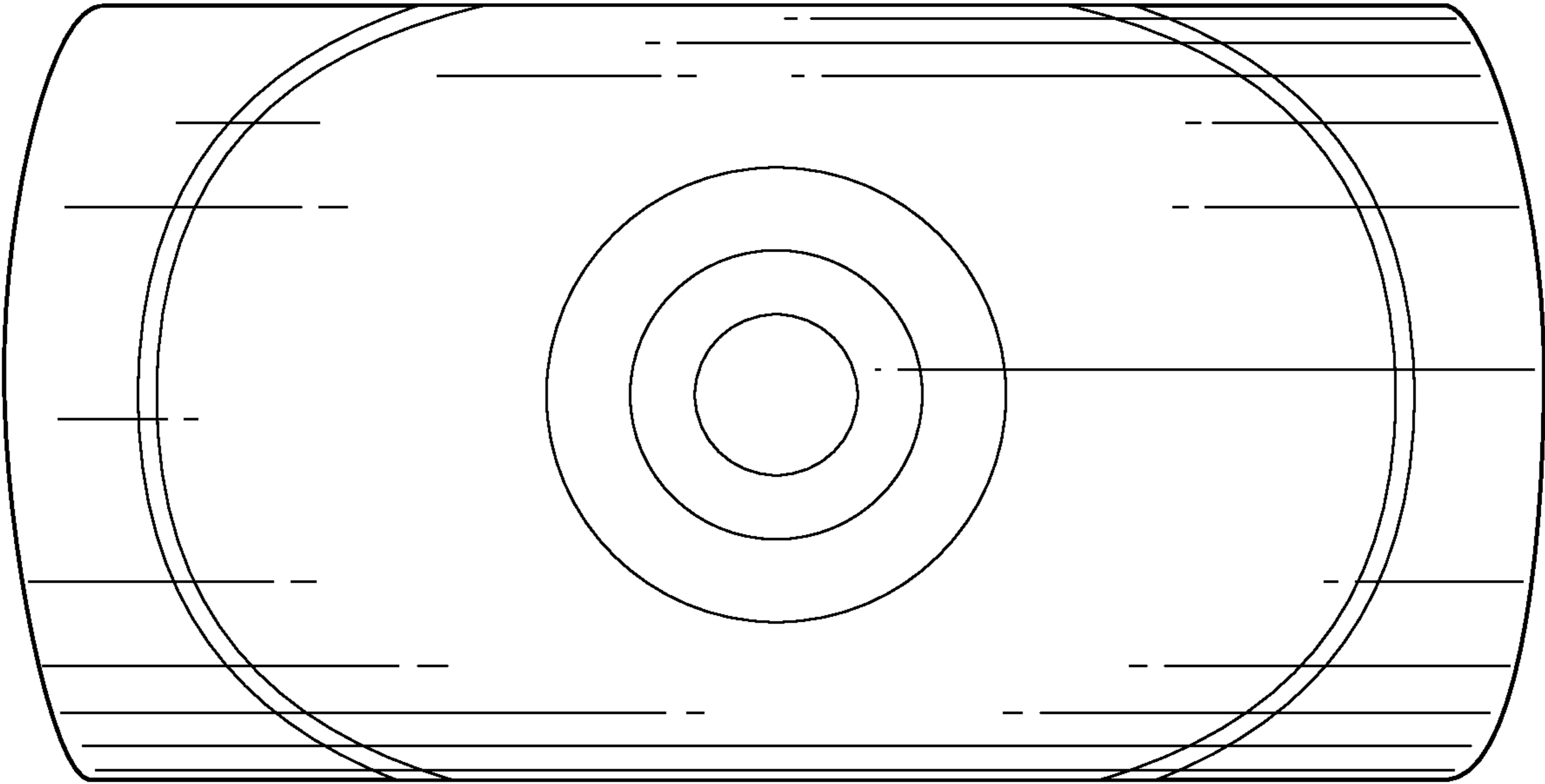


FIG. 5

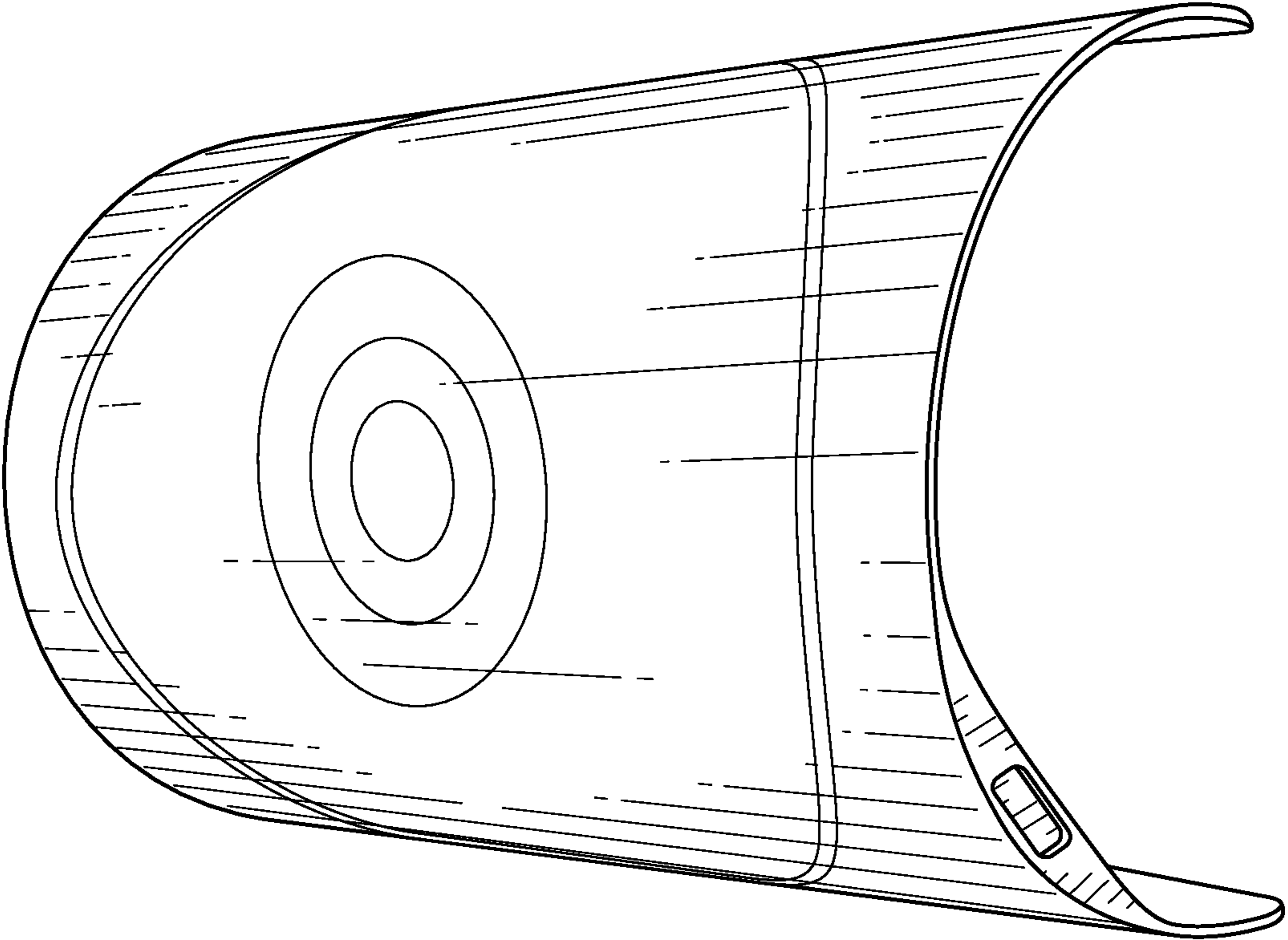


FIG. 6

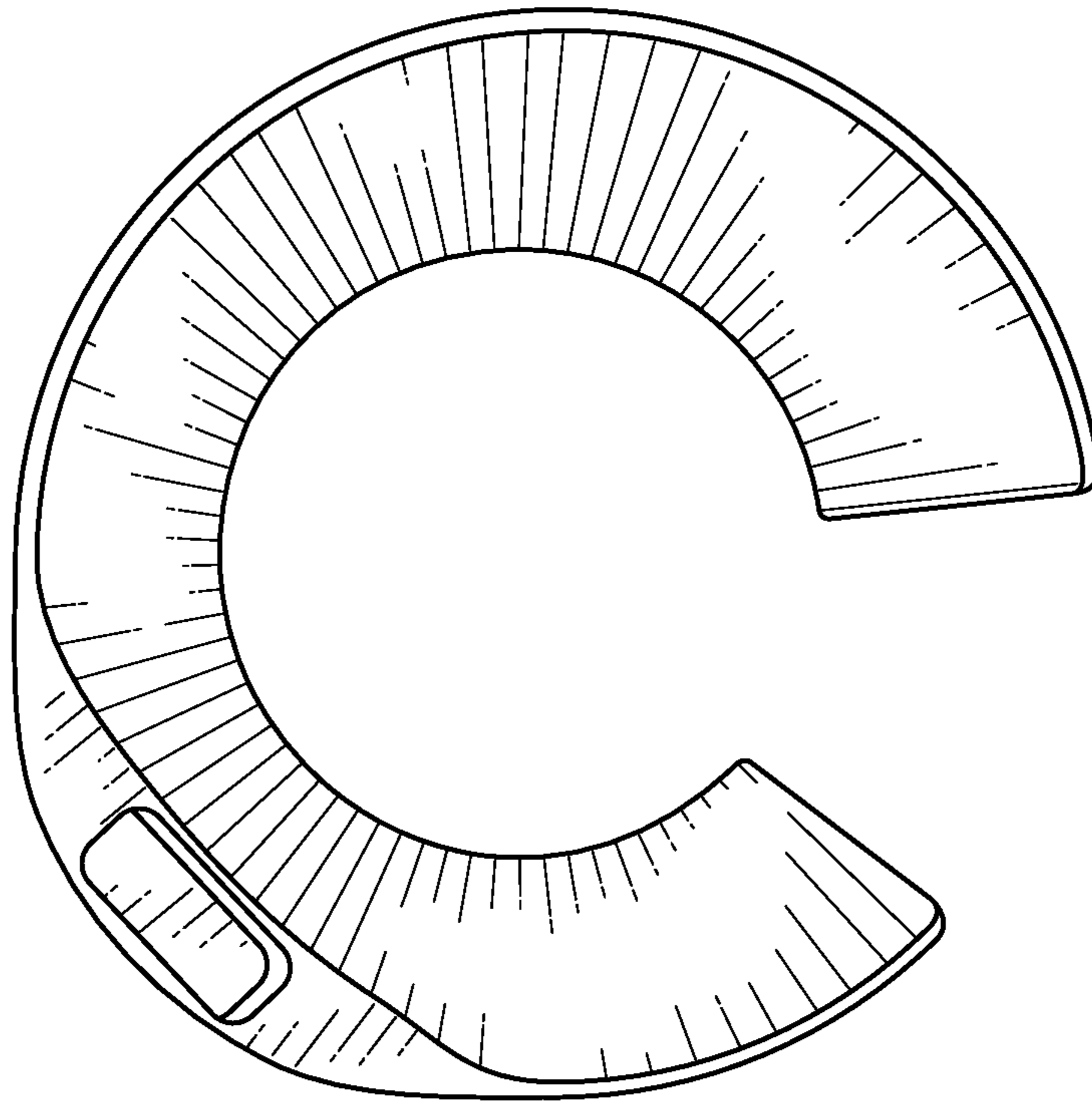


FIG. 7

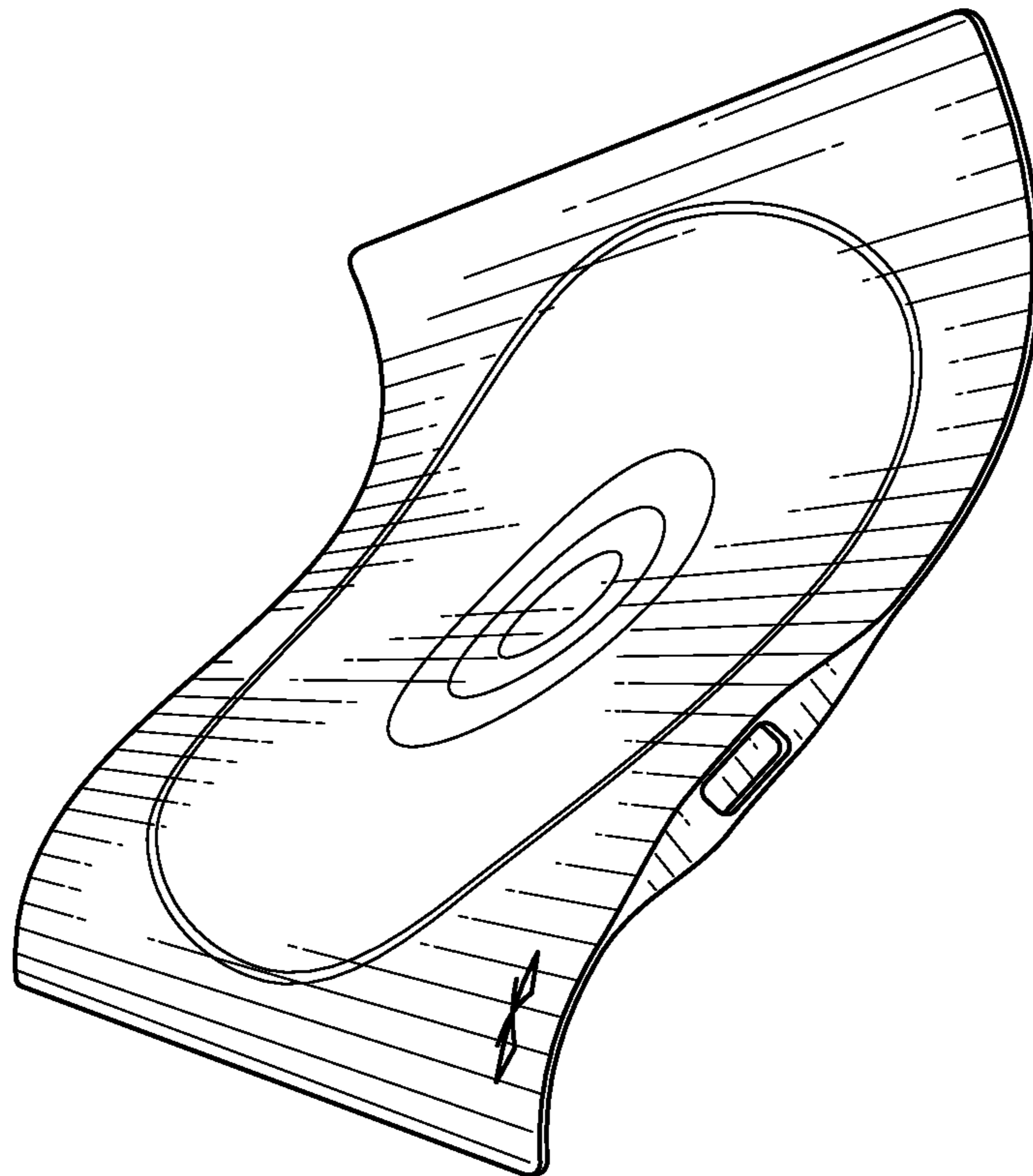


FIG. 8