



US00D921737S

(12) **United States Design Patent**
Liang et al.

(10) **Patent No.:** **US D921,737 S**
(45) **Date of Patent:** **** Jun. 8, 2021**

- (54) **CAMERA DISPLAY**
- (71) Applicant: **GoPro, Inc.**, San Mateo, CA (US)
- (72) Inventors: **Bessy Liang**, San Jose, CA (US);
Daniel J. Coster, San Francisco, CA (US); **Huy Phuong Nguyen**, San Mateo, CA (US)
- (73) Assignee: **GoPro, Inc.**, San Mateo, CA (US)
- (**) Term: **15 Years**
- (21) Appl. No.: **29/705,670**
- (22) Filed: **Sep. 13, 2019**
- (51) **LOC (13) Cl.** **16-01**
- (52) **U.S. Cl.**
USPC **D16/211; D16/214; D16/232**
- (58) **Field of Classification Search**
USPC D16/200, 202–204, 208, 211, 214, 218,
D16/219, 221, 225, 229, 232; D14/423,
D14/429, 251; 348/373–376; 396/430,
396/431, 535, 539–541
CPC G03B 17/02; G03B 19/04; G03B 17/56;
G03B 17/04; G03B 15/03; G03B 17/48;
G03B 17/06; H04N 5/2251; H04N
5/2252; H04N 5/2253; H04N 5/2254
See application file for complete search history.

(56) **References Cited**
U.S. PATENT DOCUMENTS

D285,920 S	9/1986	Kitakaze	
5,126,890 A	6/1992	Wade	
5,933,322 A	8/1999	Ruch	
D423,473 S	4/2000	Iwamoto	
D443,247 S	6/2001	Chuan	
D452,496 S	12/2001	Murnaghan	
D651,635 S *	1/2012	Hong	D16/208
D653,666 S	2/2012	Zhou	

8,199,251 B2	6/2012	Woodman	
8,325,270 B2	12/2012	Woodman	
D678,383 S *	3/2013	Park	D16/232
D679,713 S	4/2013	McParland	
D680,148 S *	4/2013	Unno	D16/208
D685,017 S *	6/2013	Kato	D16/235
D691,608 S	10/2013	Samuels	
D691,609 S	10/2013	Woodman	
8,638,392 B2	1/2014	Woodman	
D698,790 S	2/2014	Samuels	
D698,791 S	2/2014	Woodman	
D708,655 S *	7/2014	Wong	D16/232
D727,908 S	4/2015	Samuels	
D753,209 S *	4/2016	Zetsu	D16/232
D756,439 S *	5/2016	Conard	D16/208
D782,558 S *	3/2017	Tabuchi	D16/214
9,699,360 B2	7/2017	Woodman	
D818,516 S *	5/2018	Yamakose	D16/211
D838,761 S *	1/2019	Nishizawa	D16/211
D854,598 S *	7/2019	Hsieh	D16/214

(Continued)

Primary Examiner — Ramzi S Almatrahi

(74) *Attorney, Agent, or Firm* — Young Basile Hanlon & MacFarlane, P.C.

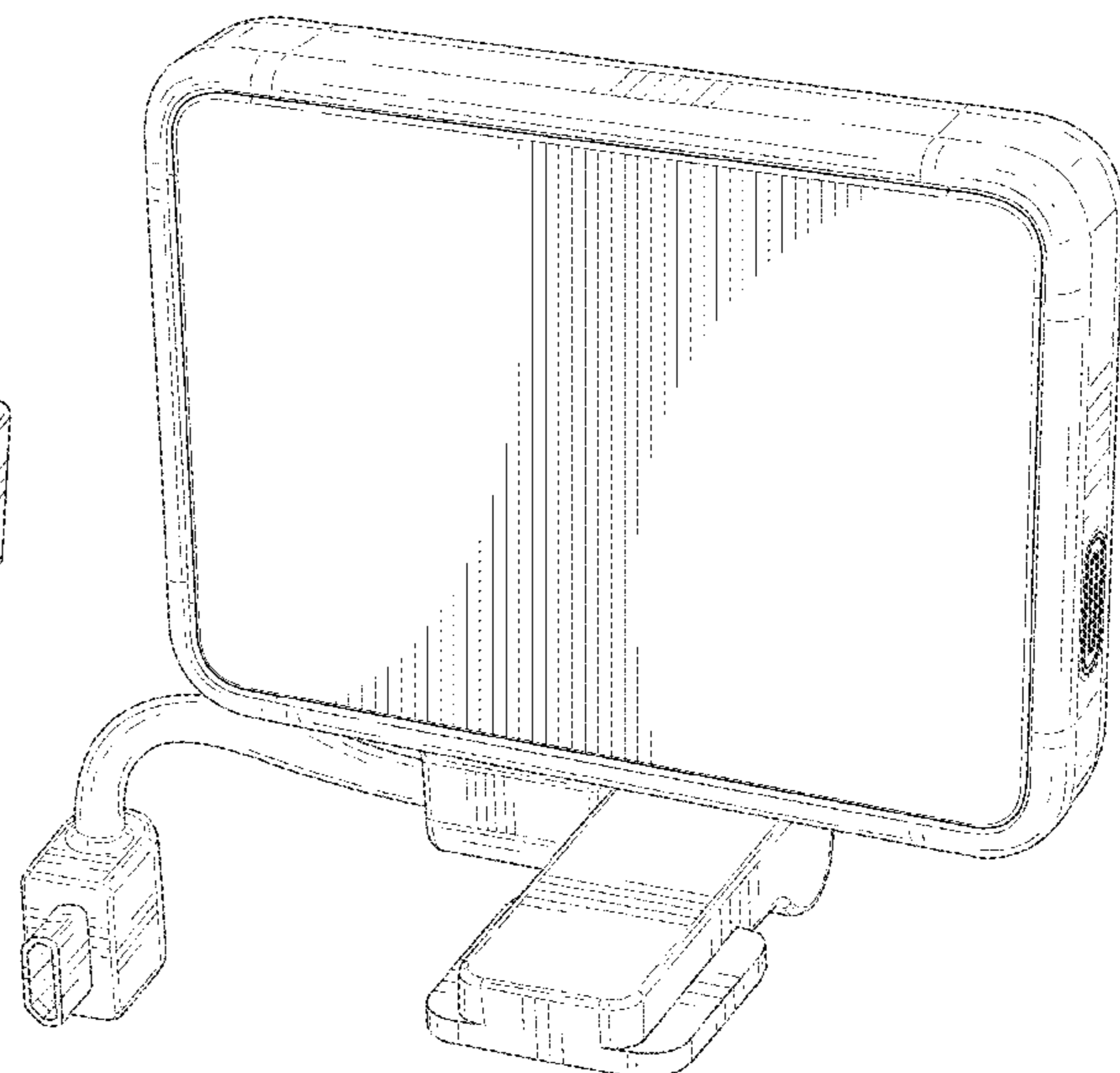
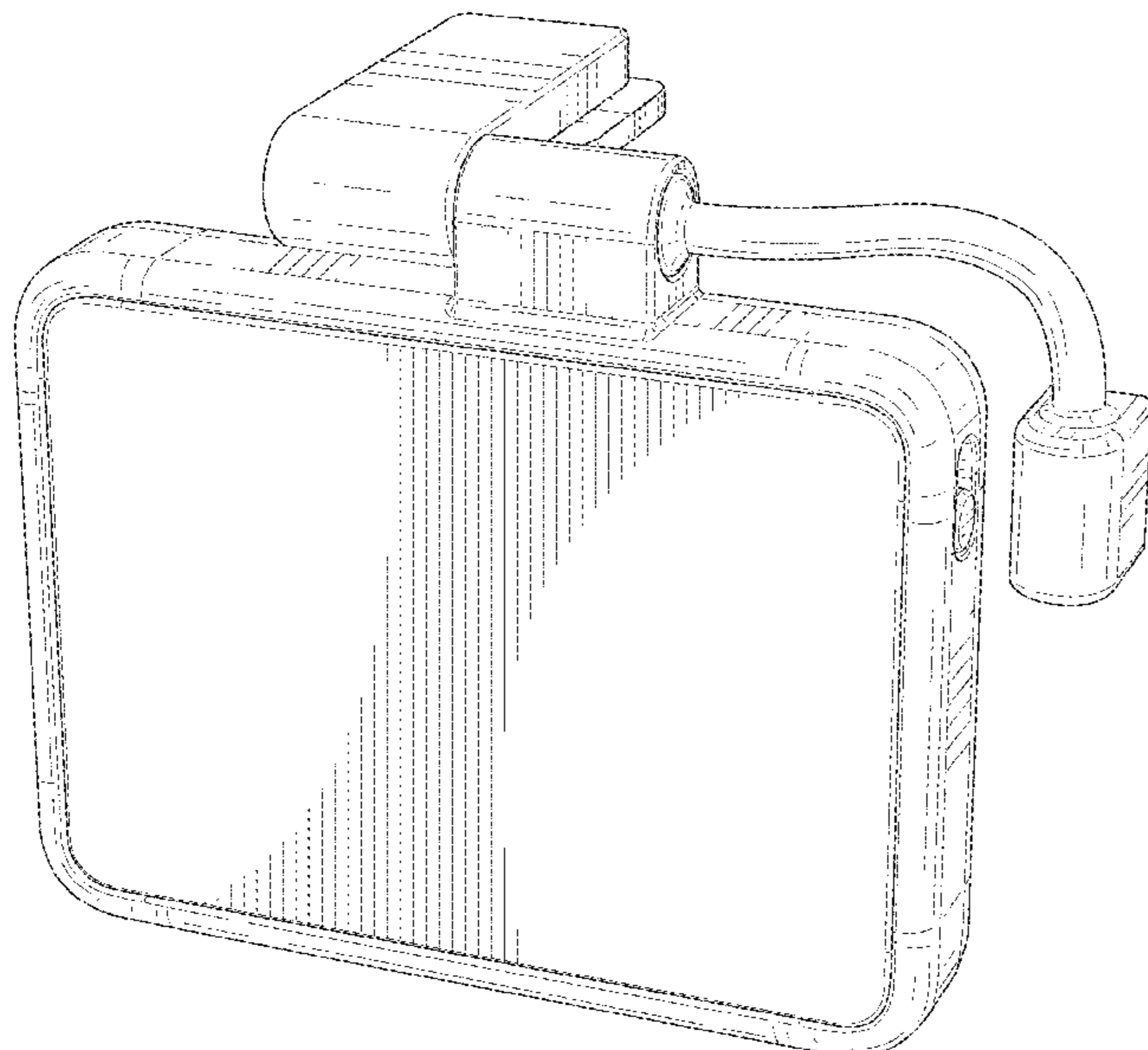
(57) **CLAIM**

The ornamental design for a camera display, as shown and described.

DESCRIPTION

FIG. 1 is a top, rear and left perspective view of a camera display showing our new design in a first configuration; FIG. 2 is a top, front and right perspective view thereof, shown in a second configuration; FIG. 3 is a rear view thereof in the first configuration; FIG. 4 is a front view thereof in the first configuration; FIG. 5 is right view thereof in the first configuration; FIG. 6 is a left view thereof in the first configuration; FIG. 7 is a top view thereof in the first configuration; and, FIG. 8 is a bottom view thereof in the first configuration.

1 Claim, 8 Drawing Sheets



(56)

References Cited

U.S. PATENT DOCUMENTS

D854,599	S *	7/2019	Hong	D16/214
10,356,291	B2	7/2019	Woodman		
10,705,411	B2 *	7/2020	Furusawa	G03B 17/561
D892,192	S *	8/2020	Furusawa	D16/211
D892,900	S *	8/2020	Chang	D16/211
D896,874	S *	9/2020	Yamakose	D16/232
2003/0193316	A1	10/2003	Guo		
2014/0104447	A1	4/2014	Woodman		
2019/0281197	A1	9/2019	Woodman		
2019/0342474	A1	11/2019	Woodman		

* cited by examiner

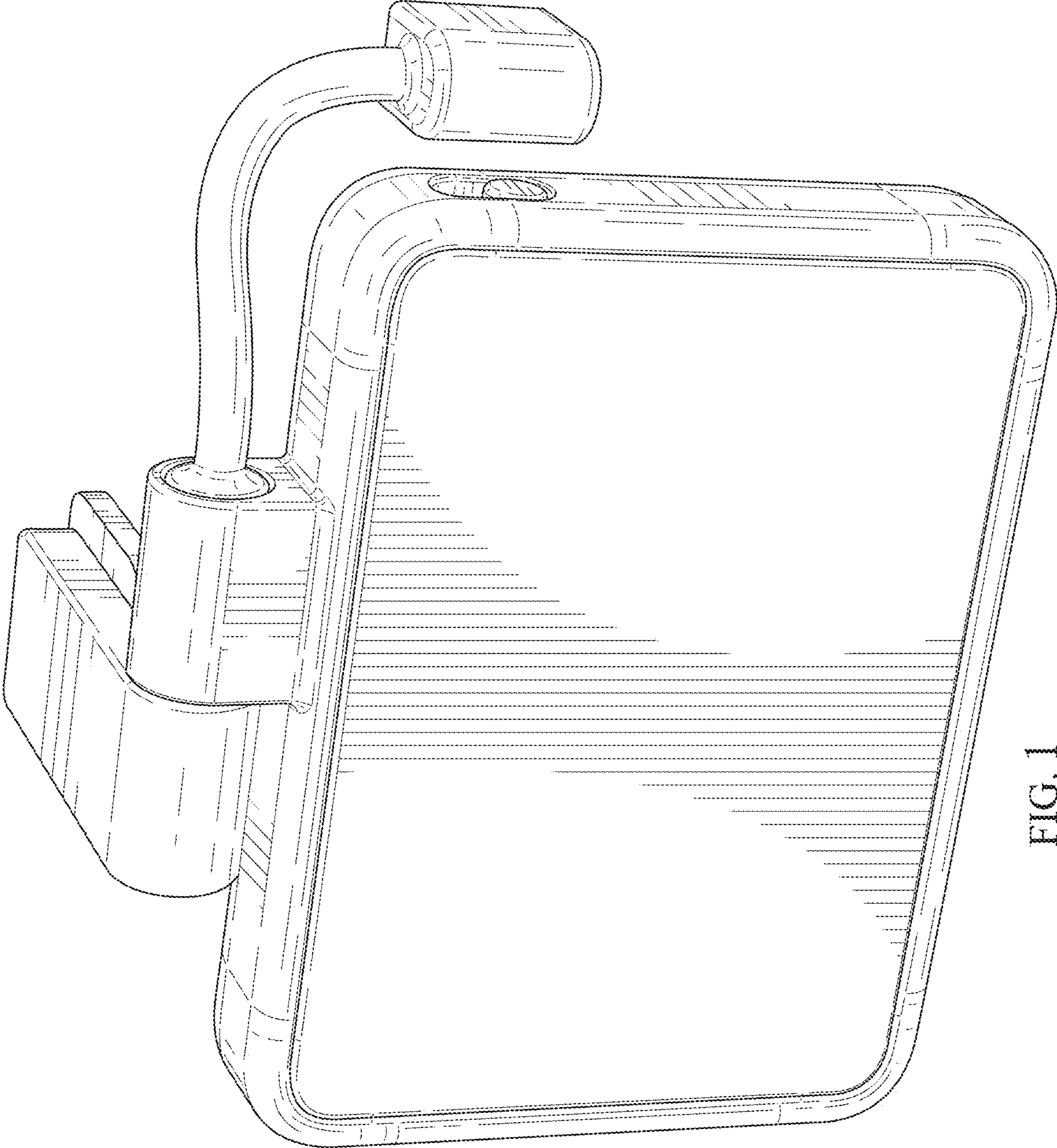


FIG. 1

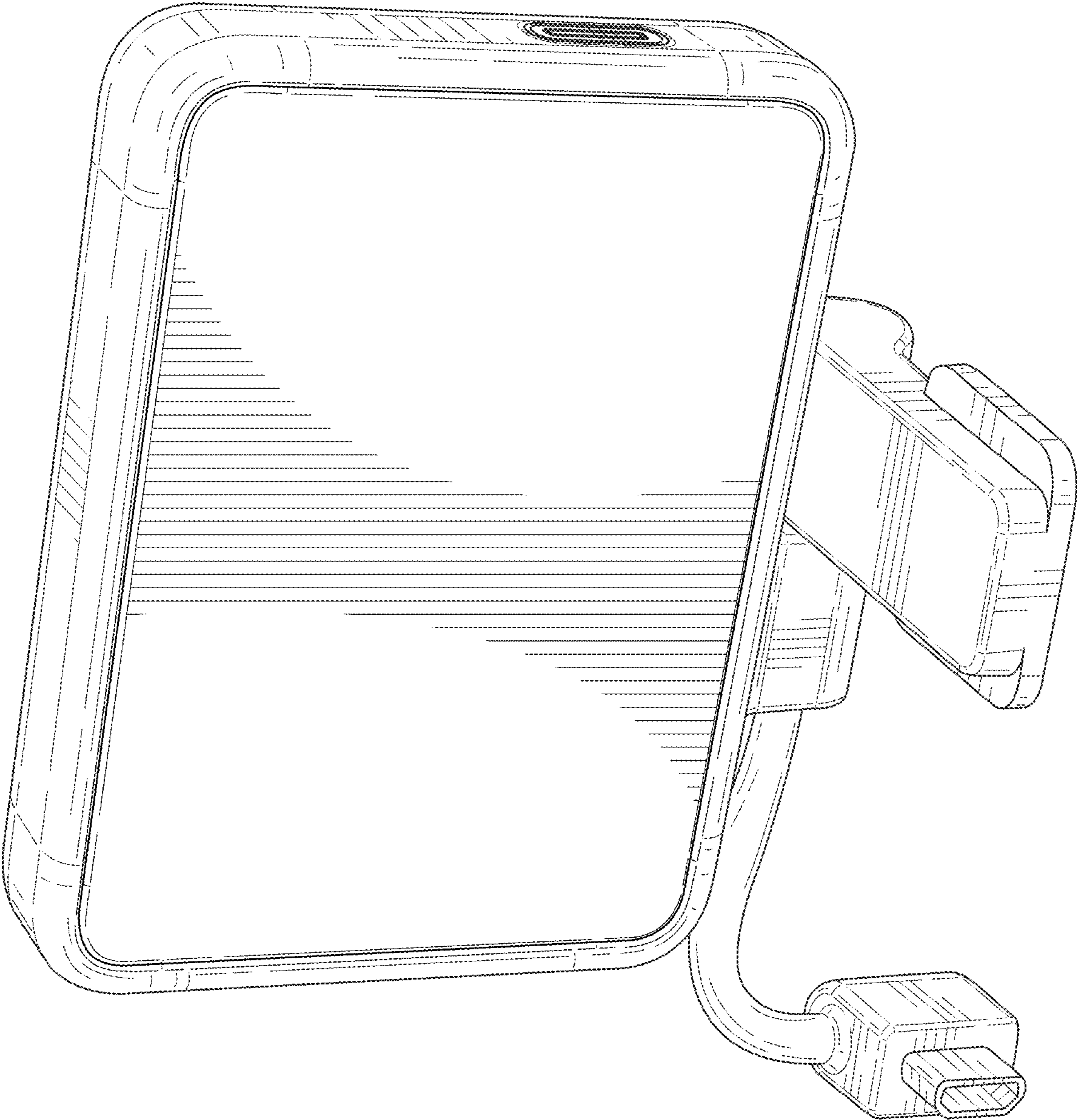


FIG. 2

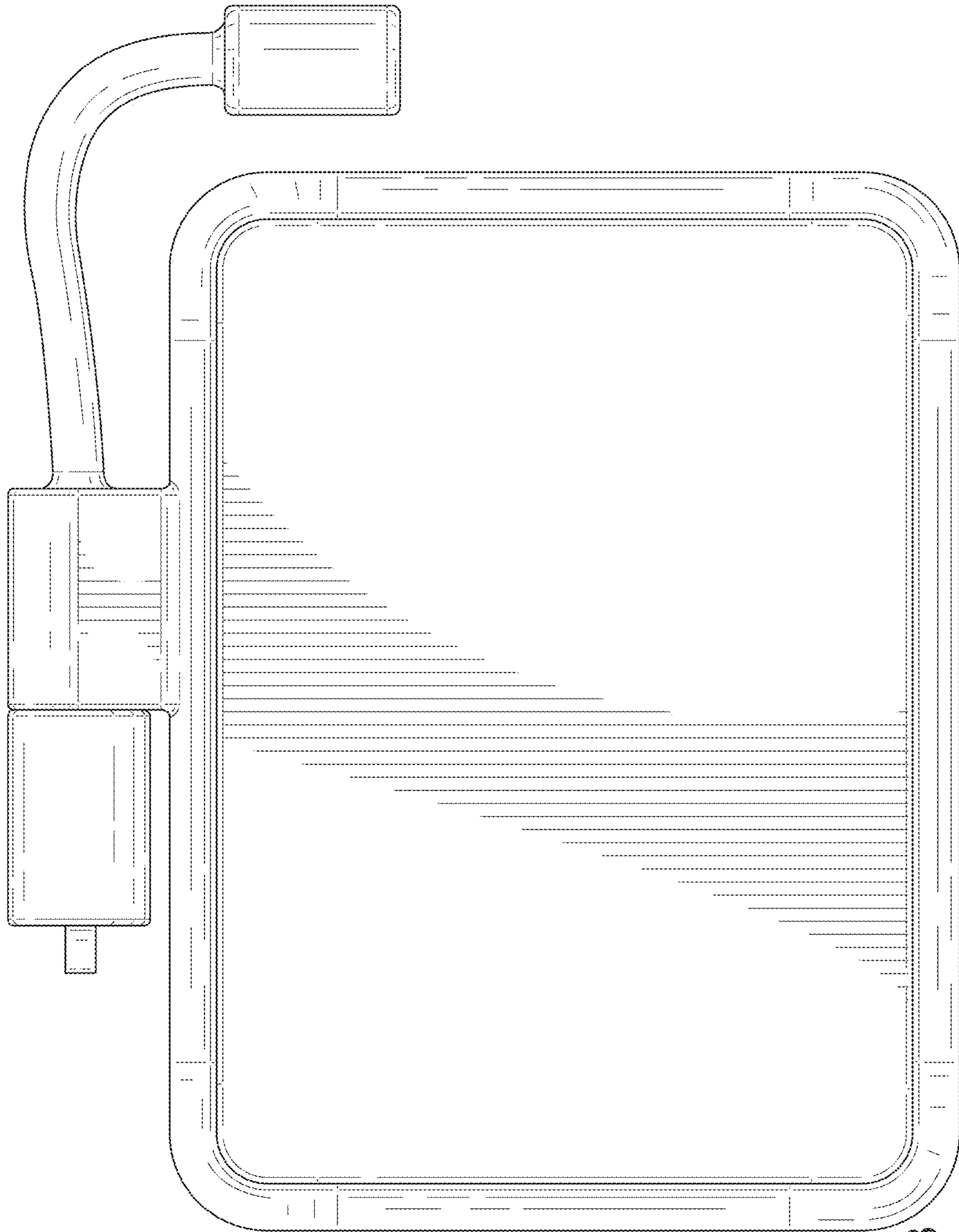


FIG. 3

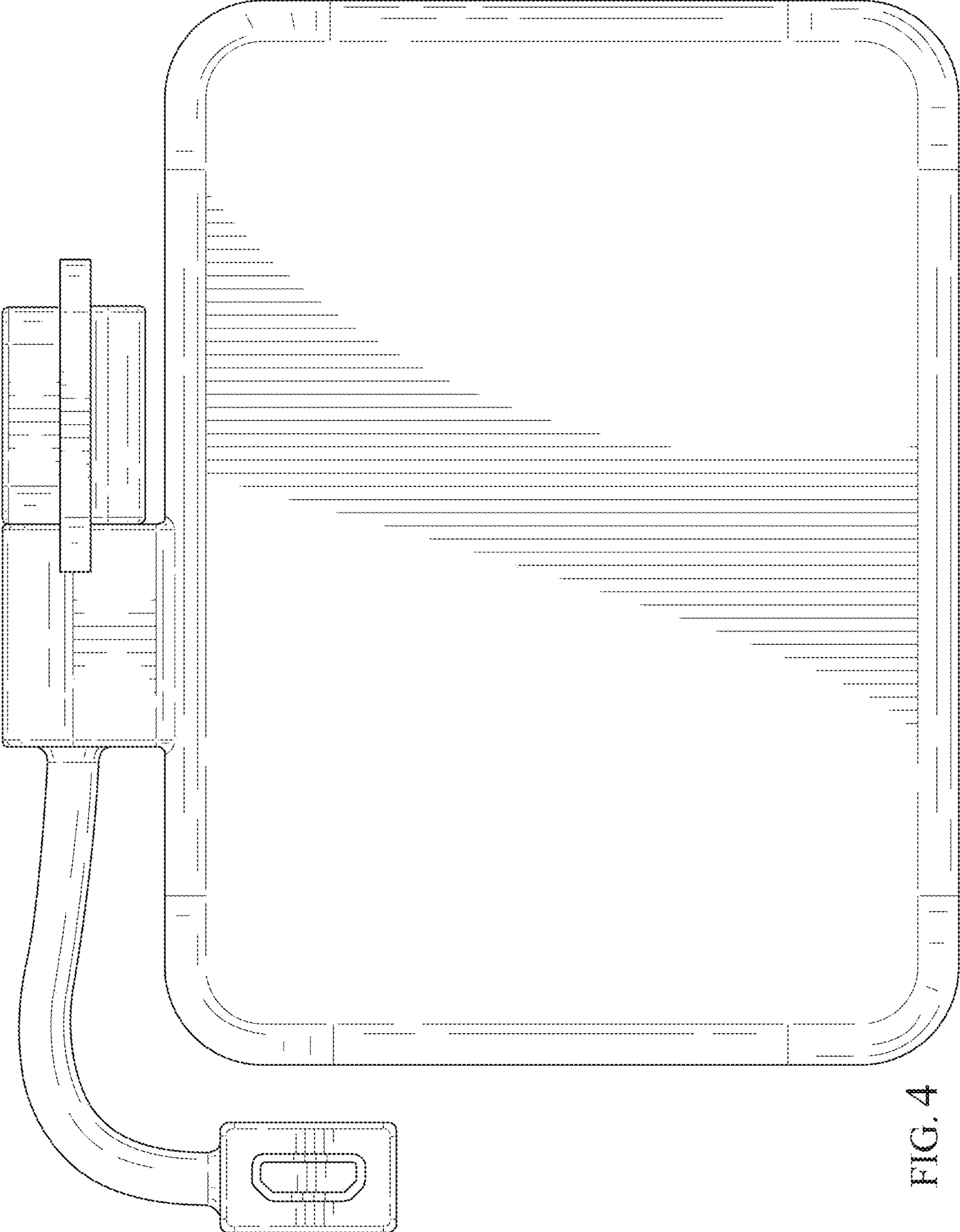


FIG. 4

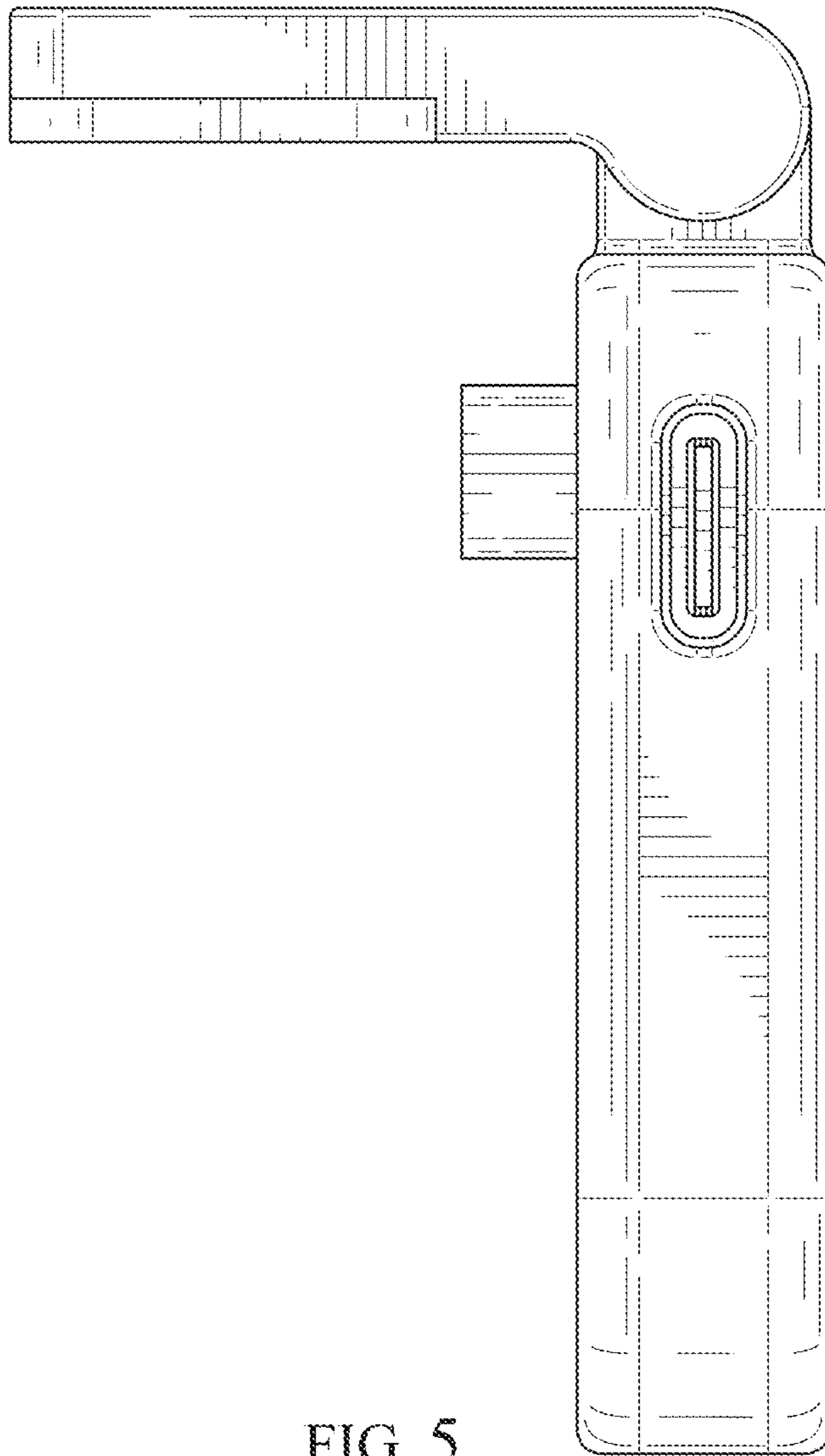


FIG. 5

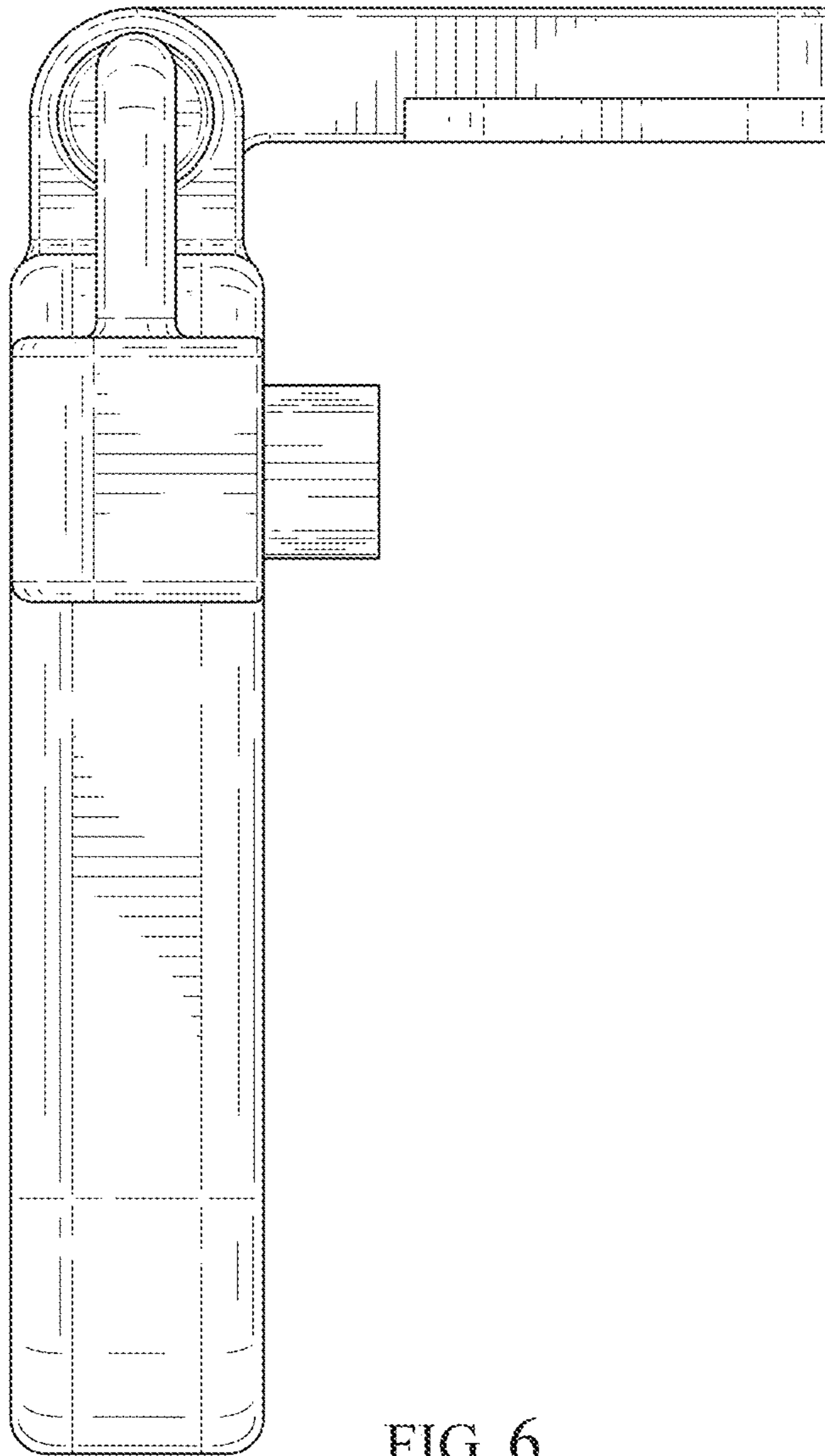


FIG. 6

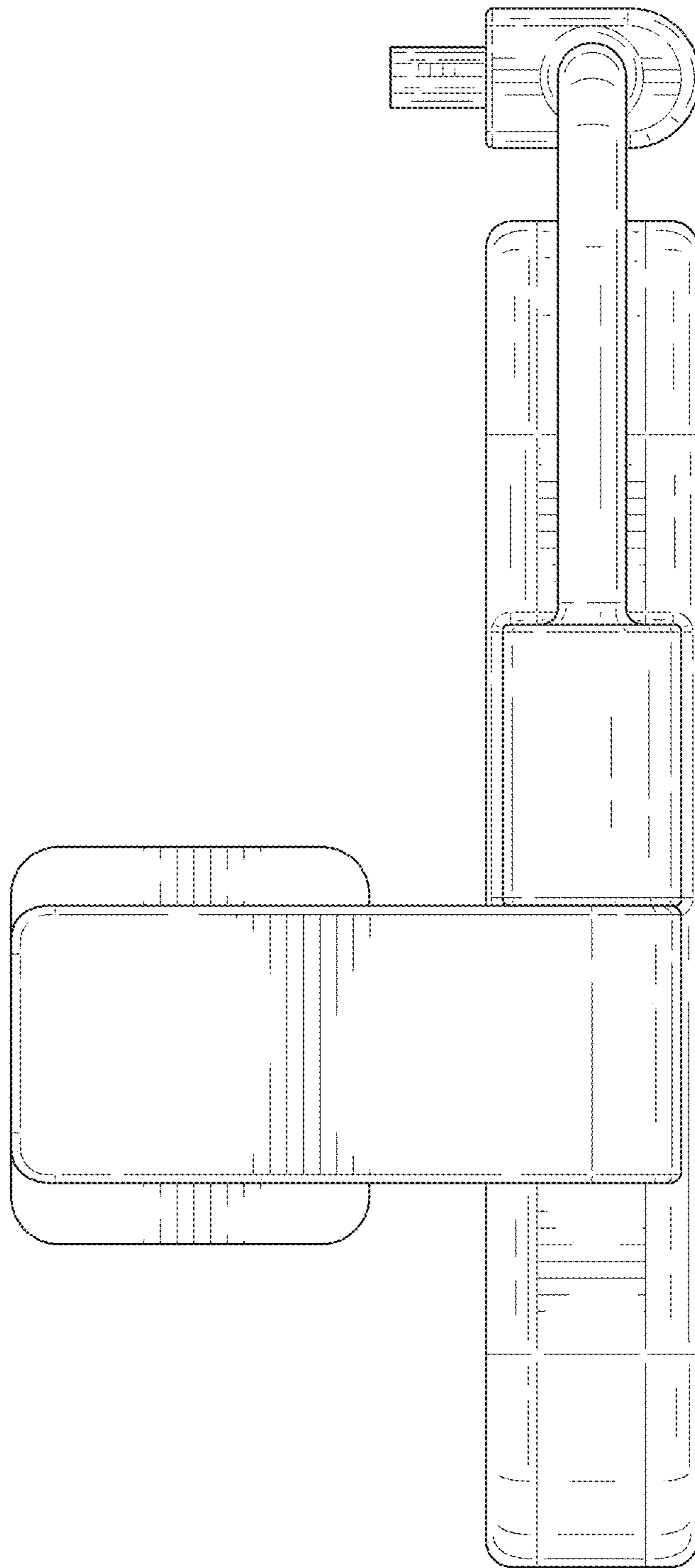


FIG. 7

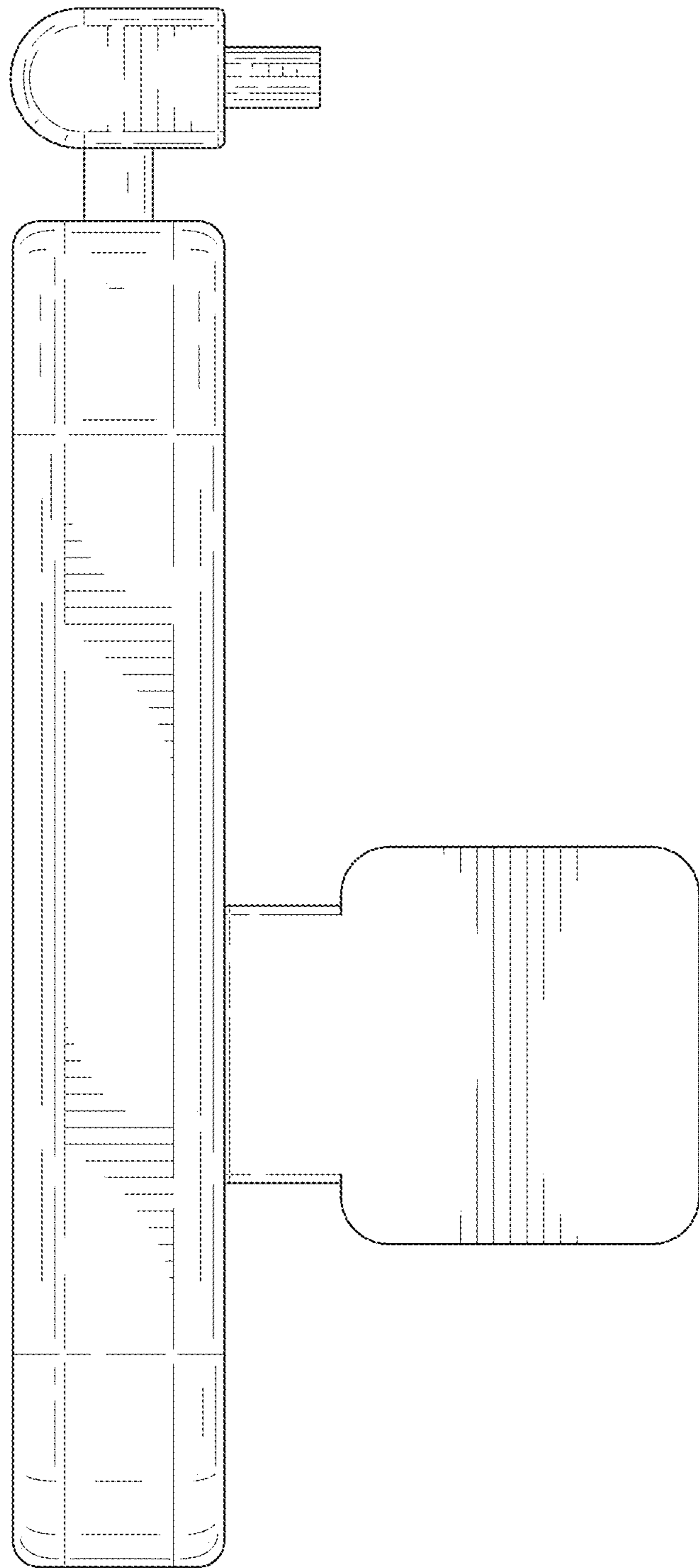


FIG. 8