



US00D921736S

(12) **United States Design Patent**  
**Yin**

(10) **Patent No.:** **US D921,736 S**  
(45) **Date of Patent:** **\*\* Jun. 8, 2021**

(54) **DRIVING RECORDER**

(71) Applicant: **SHENZHEN KAIZHAO ELECTRONICS CO., LTD.**, Shenzhen (CN)

(72) Inventor: **Hui Yin**, Shenzhen (CN)

(73) Assignee: **SHENZHEN KAIZHAO ELECTRONICS CO., LTD.**, Shenzhen (CN)

(\*\*) Term: **15 Years**

(21) Appl. No.: **29/759,542**

(22) Filed: **Nov. 24, 2020**

(51) **LOC (13) Cl.** ..... **16-01**

(52) **U.S. Cl.**  
USPC ..... **D16/208; D16/218**

(58) **Field of Classification Search**  
USPC ..... D16/200, 202–208, 218, 219, 242;  
348/143, 148, 151, 373–376; 396/419,  
396/427, 535, 539–541; 248/176.1, 187.1  
CPC ..... G03B 17/02; G03B 19/04; G03B 17/56;  
G03B 17/04; G03B 15/03; H04N 5/2251;  
H04N 5/2252; H04N 5/2253; H04N  
5/2254; H04N 7/181; H04N 7/183; H04N  
7/18

See application file for complete search history.

(56) **References Cited**

**U.S. PATENT DOCUMENTS**

D822,747 S \* 7/2018 Van Deusen ..... D16/218  
D822,748 S \* 7/2018 Van Deusen ..... D16/218  
D849,817 S 5/2019 Wang et al.  
D861,764 S \* 10/2019 Zhao ..... D16/218

D875,803 S \* 2/2020 Yuan ..... D16/202  
D887,475 S \* 6/2020 Hsu ..... D16/208  
D888,800 S 6/2020 Hsu et al.  
D890,241 S \* 7/2020 Abdul ..... D16/208  
D898,798 S \* 10/2020 Xiong ..... D16/202  
D904,486 S \* 12/2020 Xiong ..... D16/208  
D904,487 S \* 12/2020 Xiong ..... D16/208  
D907,098 S \* 1/2021 Xiong ..... D16/208  
D908,766 S \* 1/2021 He ..... D16/208  
D908,772 S \* 1/2021 Grant ..... D16/208  
D909,451 S \* 2/2021 Hamlin ..... D16/208

\* cited by examiner

*Primary Examiner* — Ramzi S Almatrahi

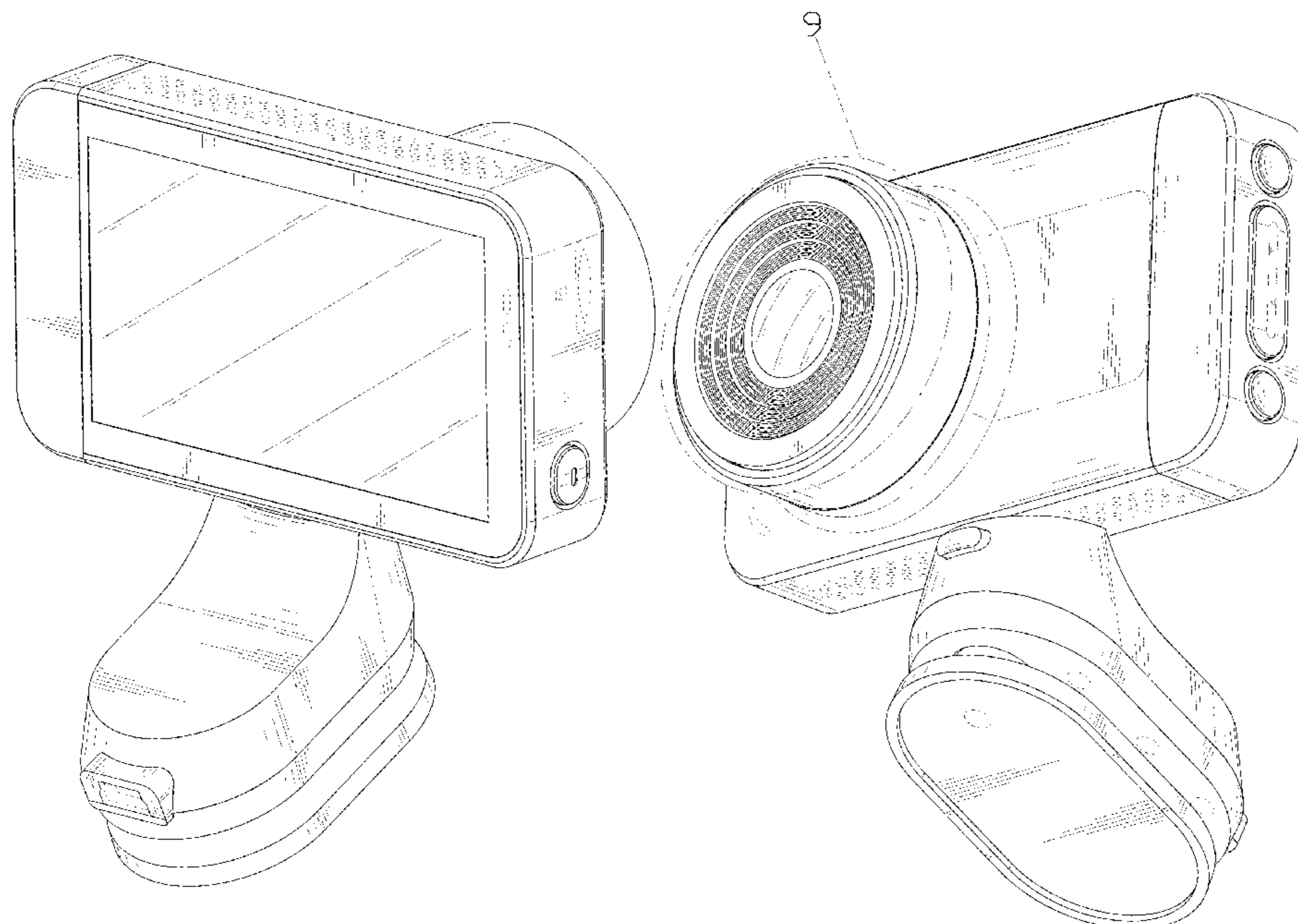
(57) **CLAIM**

The ornamental design for a driving recorder, as shown and described.

**DESCRIPTION**

FIG. 1 is a top, rear and left side perspective view of a driving recorder showing my new design;  
FIG. 2 is a bottom, front and right side perspective view thereof;  
FIG. 3 is a front elevational view thereof;  
FIG. 4 is a rear elevational view thereof;  
FIG. 5 is a left side elevational view thereof;  
FIG. 6 is a right side elevational view thereof;  
FIG. 7 is a top plan view thereof;  
FIG. 8 is a bottom plan view thereof;  
FIG. 9 is an enlarged view of portion 9 shown in FIG. 2; and,  
FIG. 10 is an enlarged view of portion 10 shown in FIG. 3.  
The broken lines depict portions of the driving recorder in which the design is embodied that form no part of the claimed design. Additionally, the dot-dash broken lines encircling an enlargement portion of the design form no part of the claimed design.

**1 Claim, 10 Drawing Sheets**



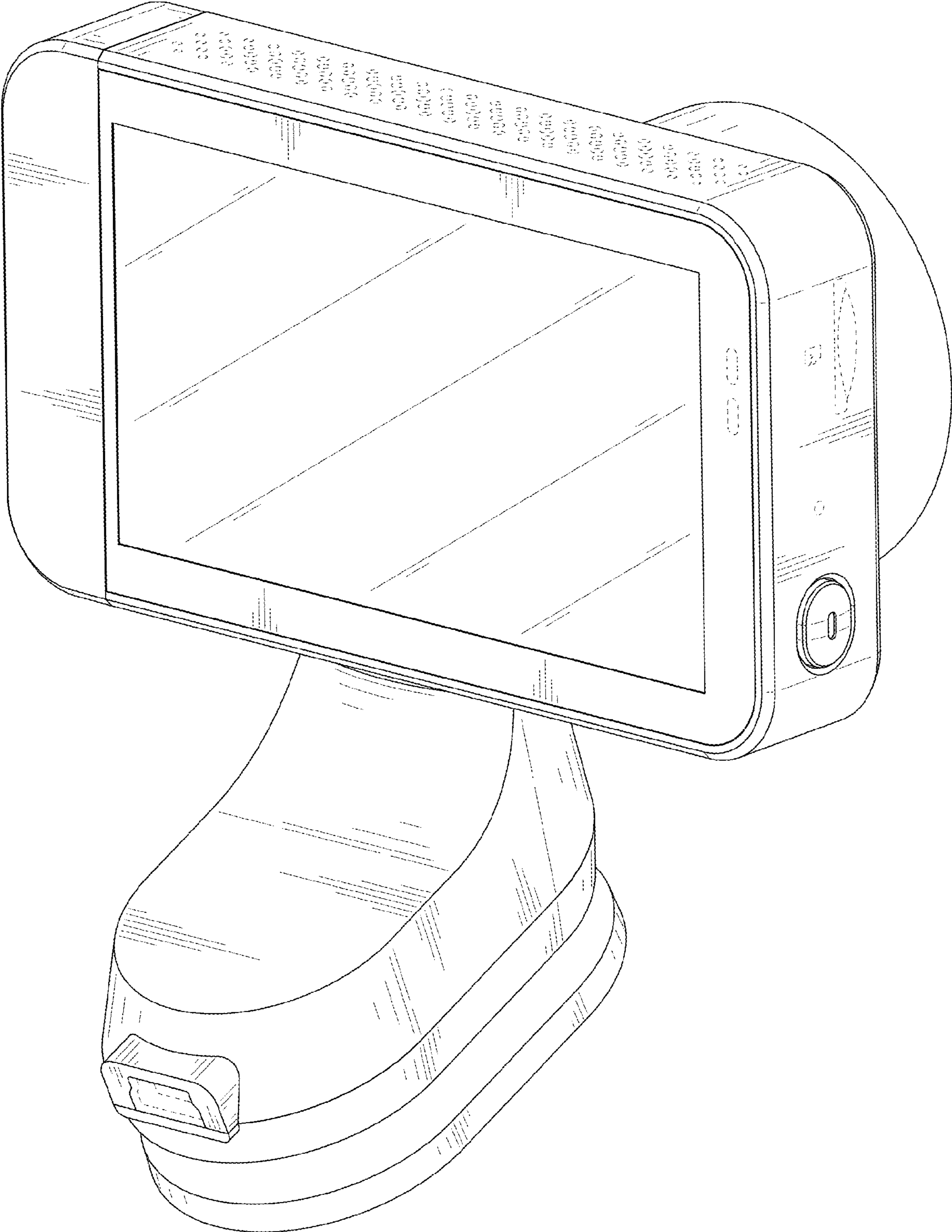


FIG. 1

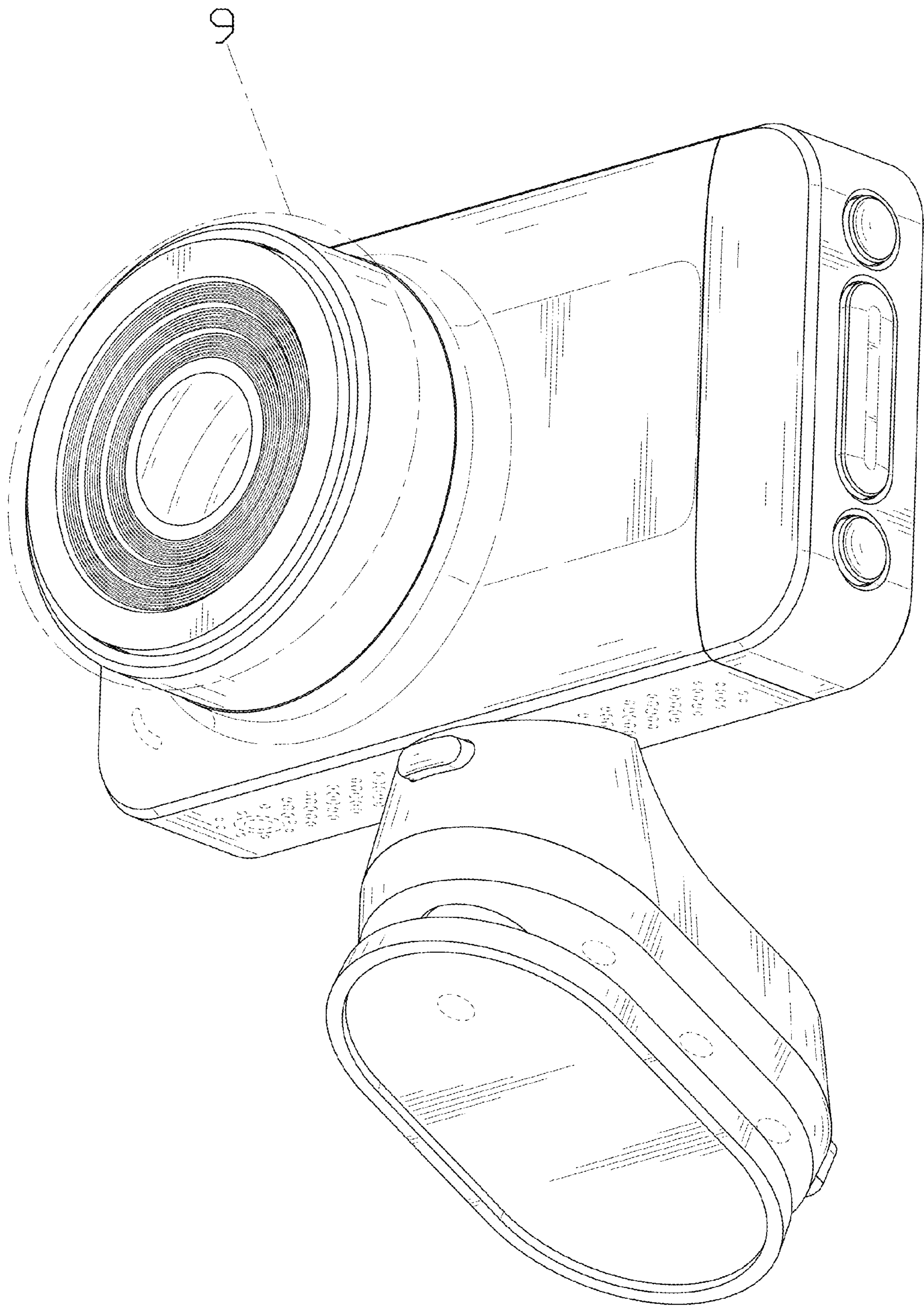


FIG. 2

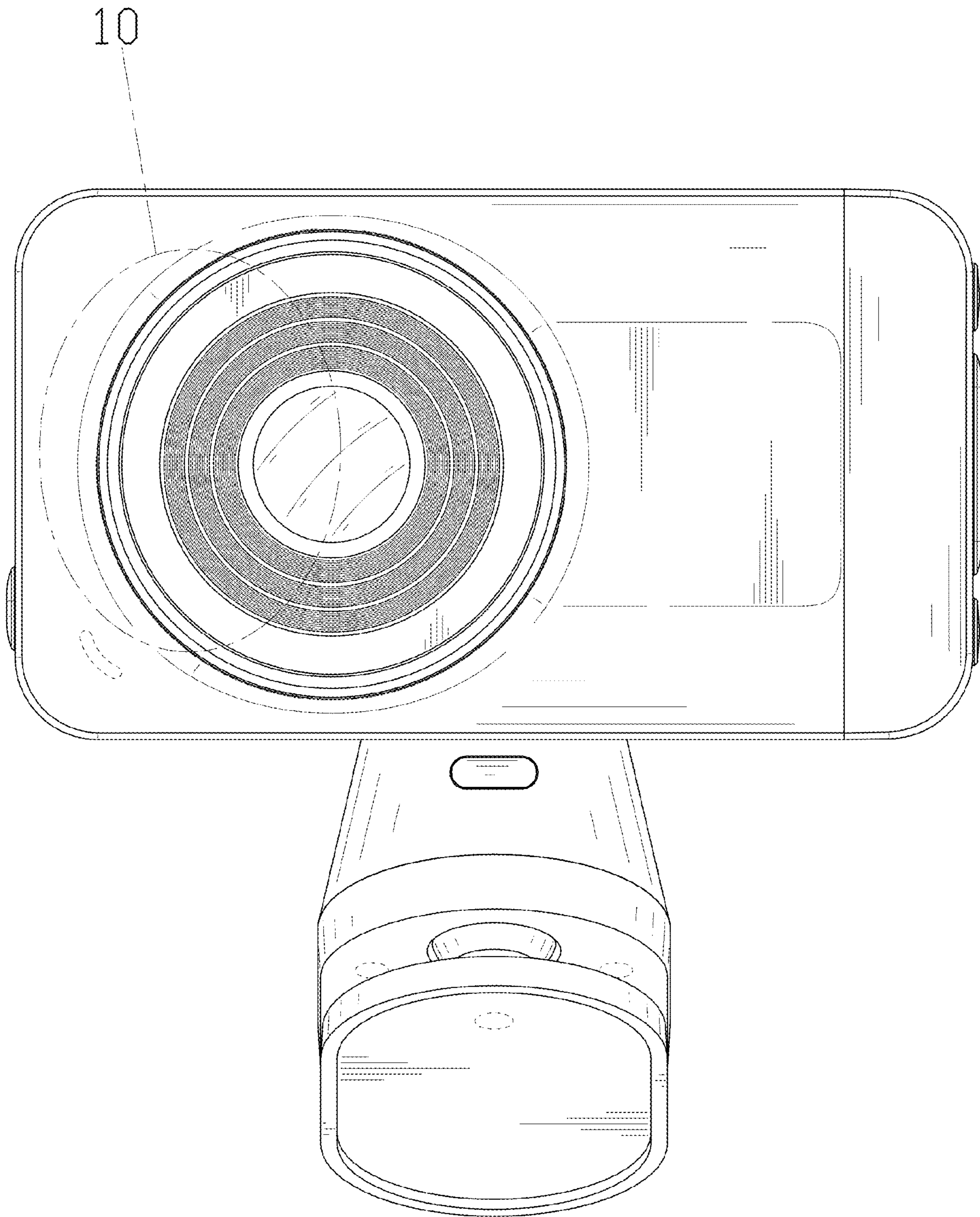


FIG. 3

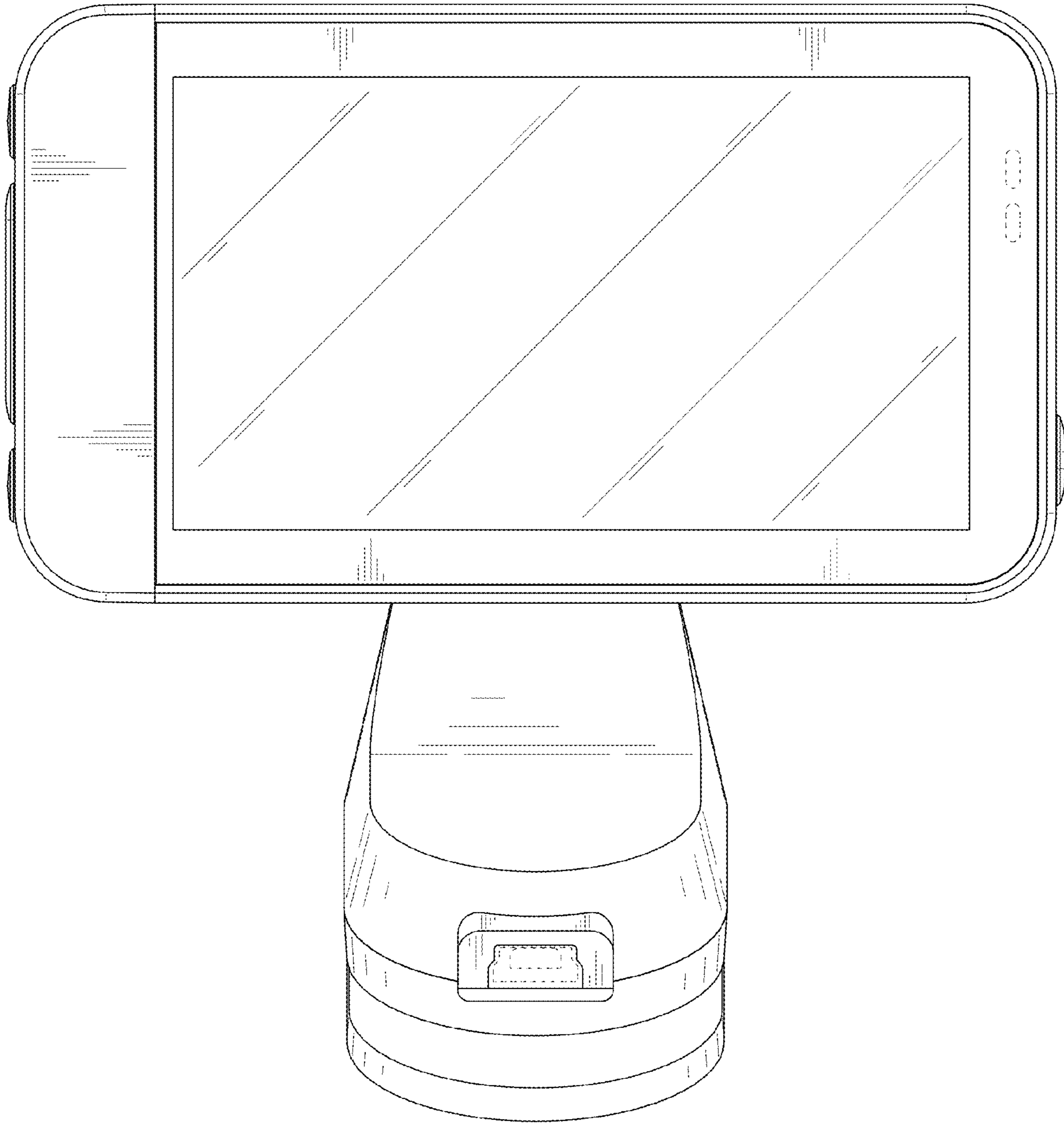


FIG. 4

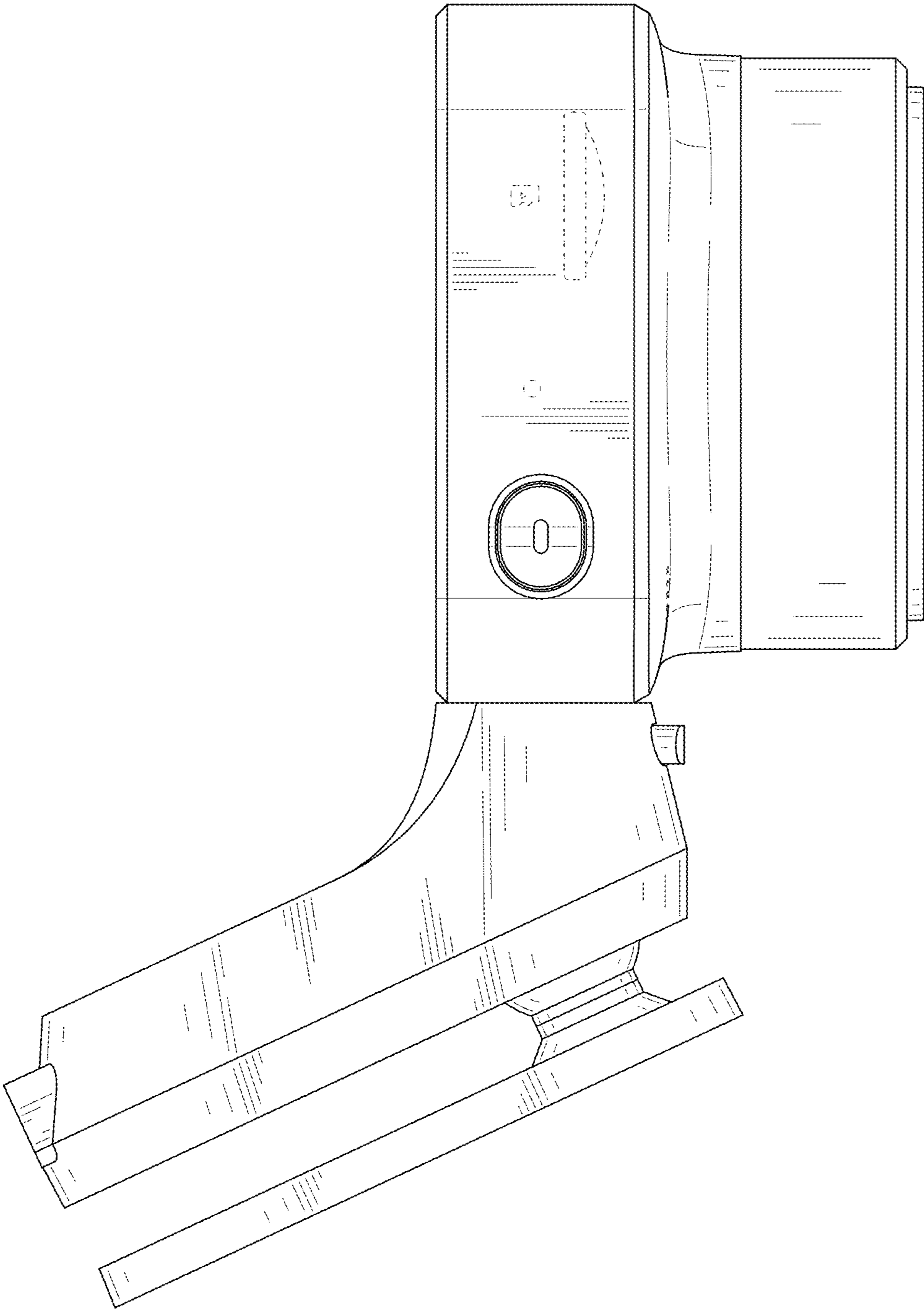


FIG. 5

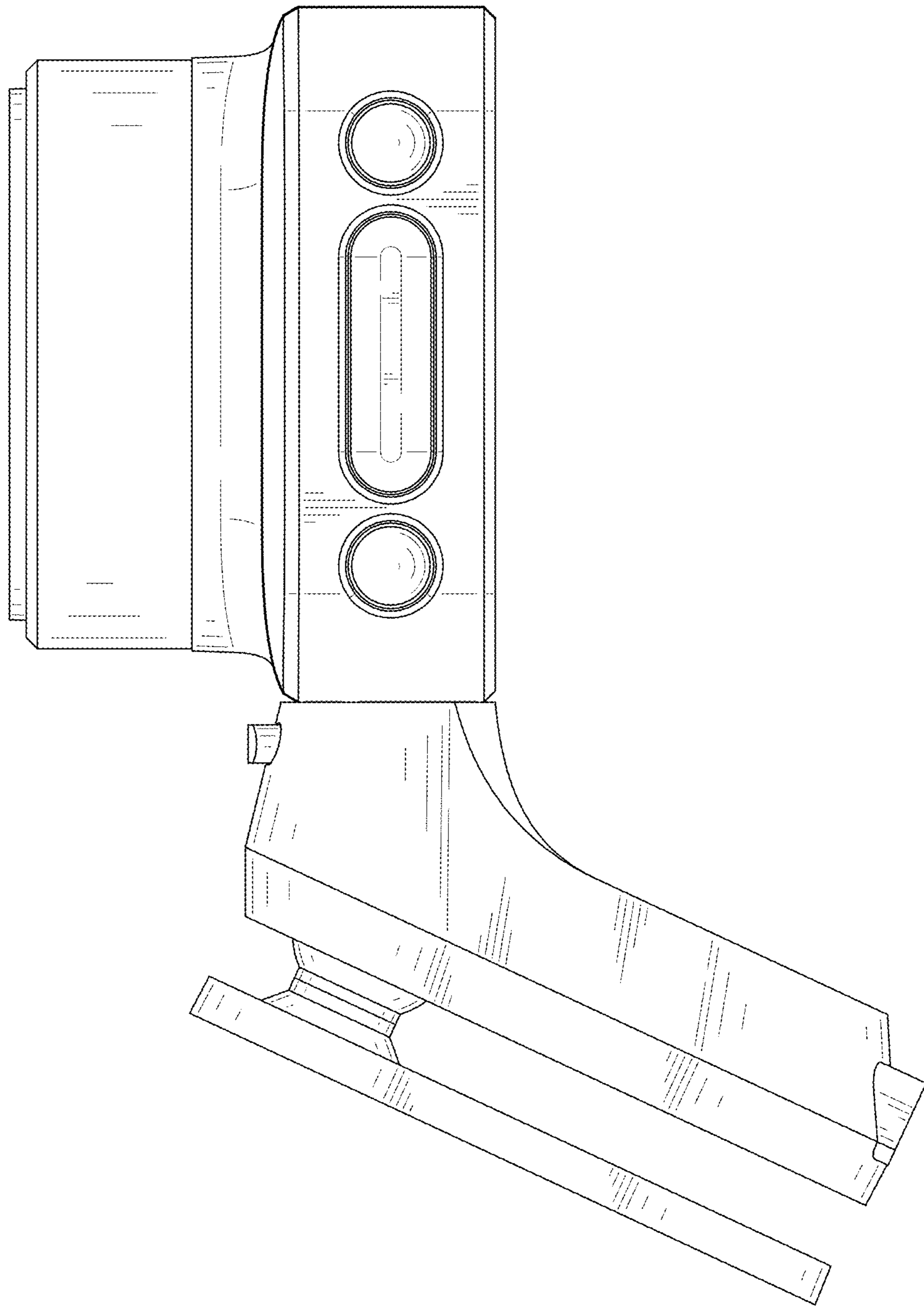


FIG. 6

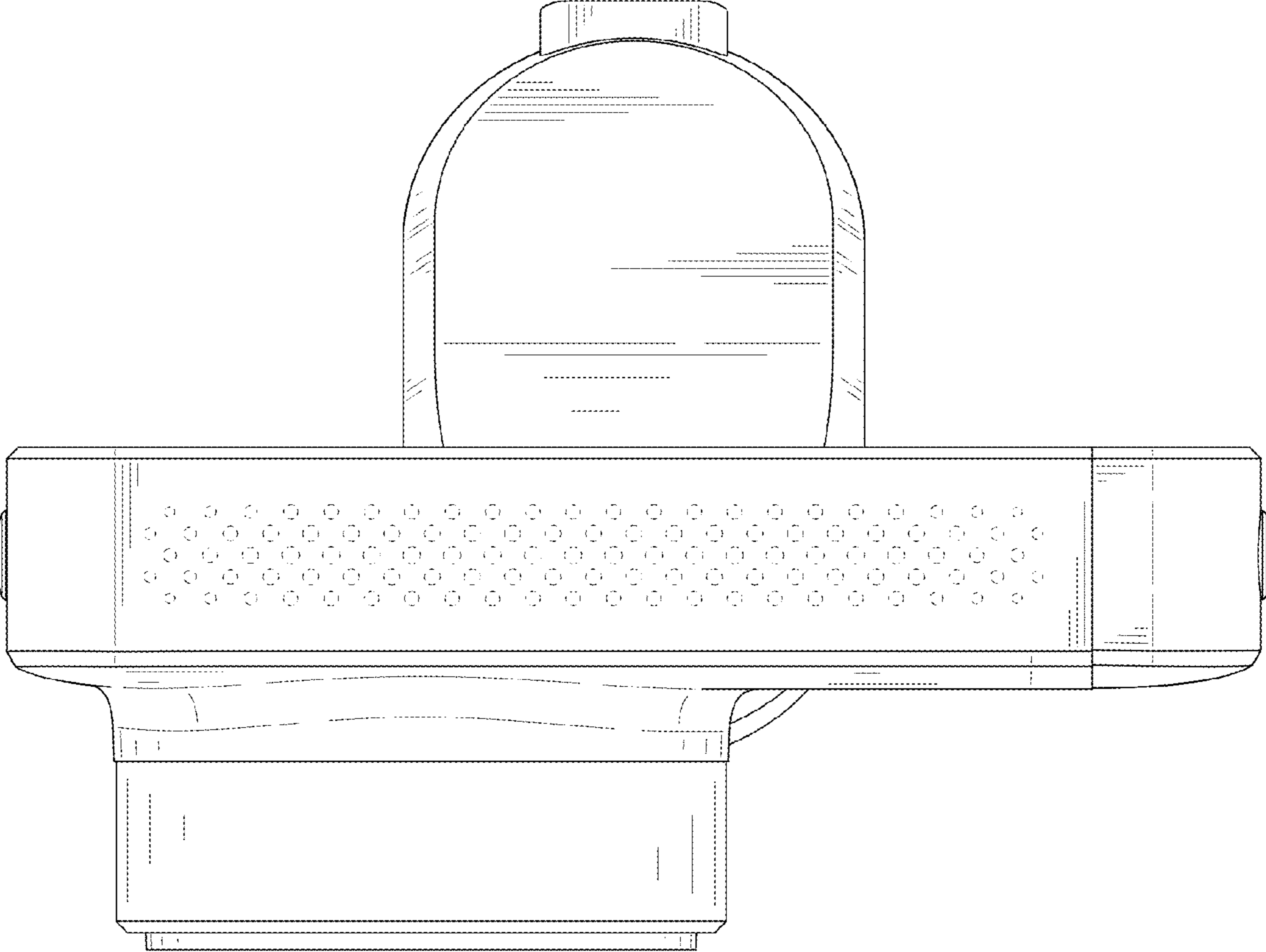


FIG. 7



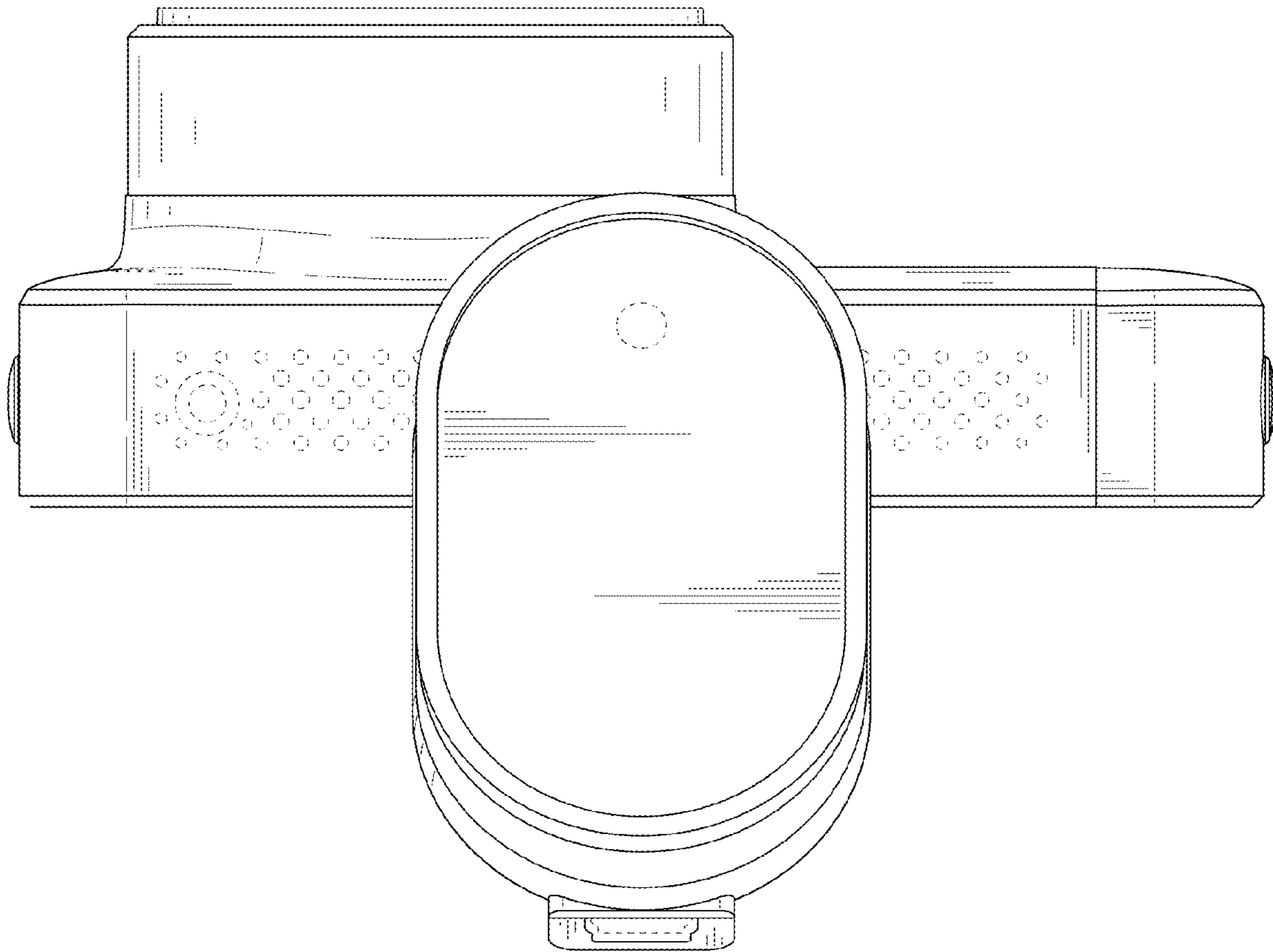


FIG. 8

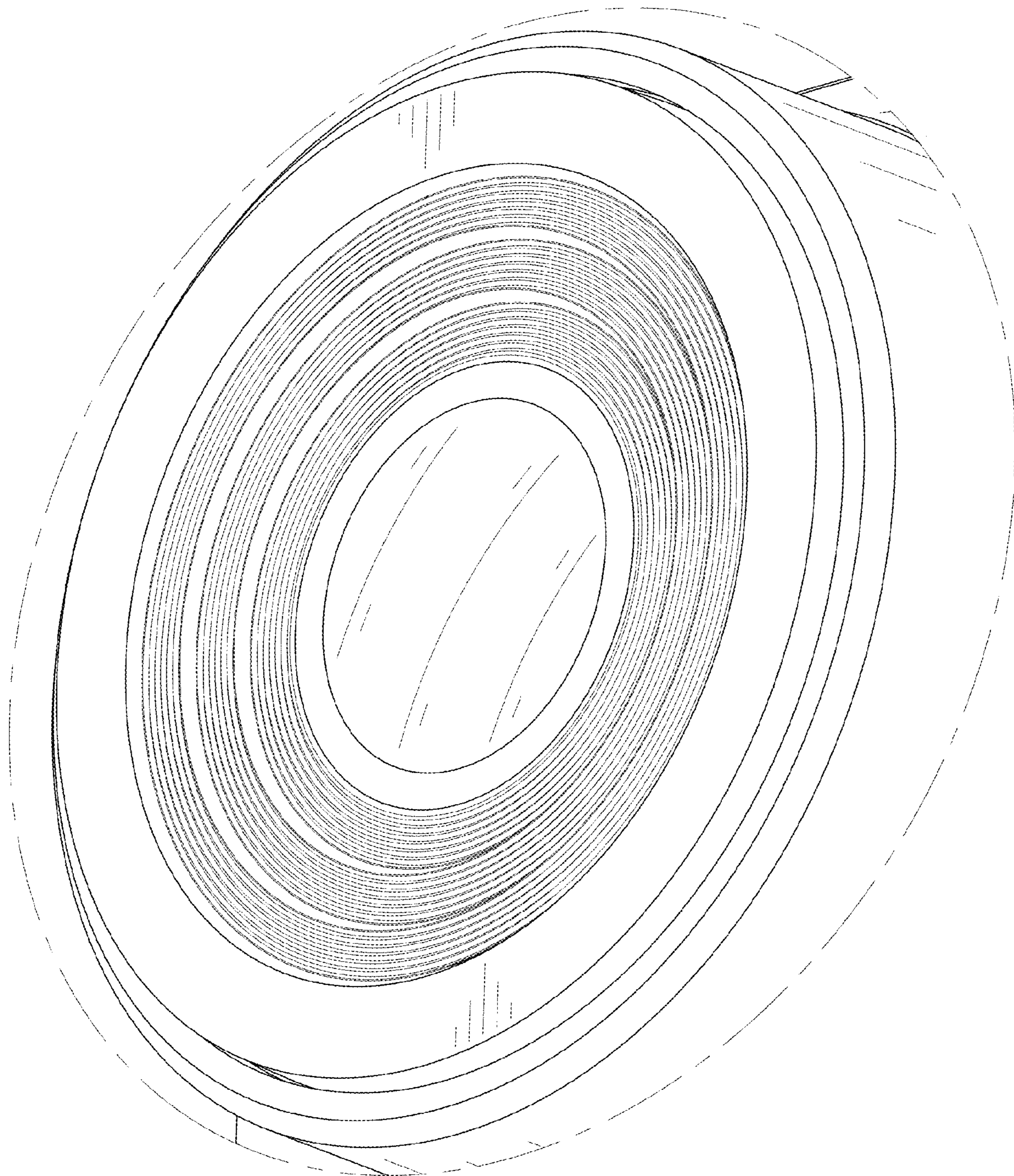


FIG. 9

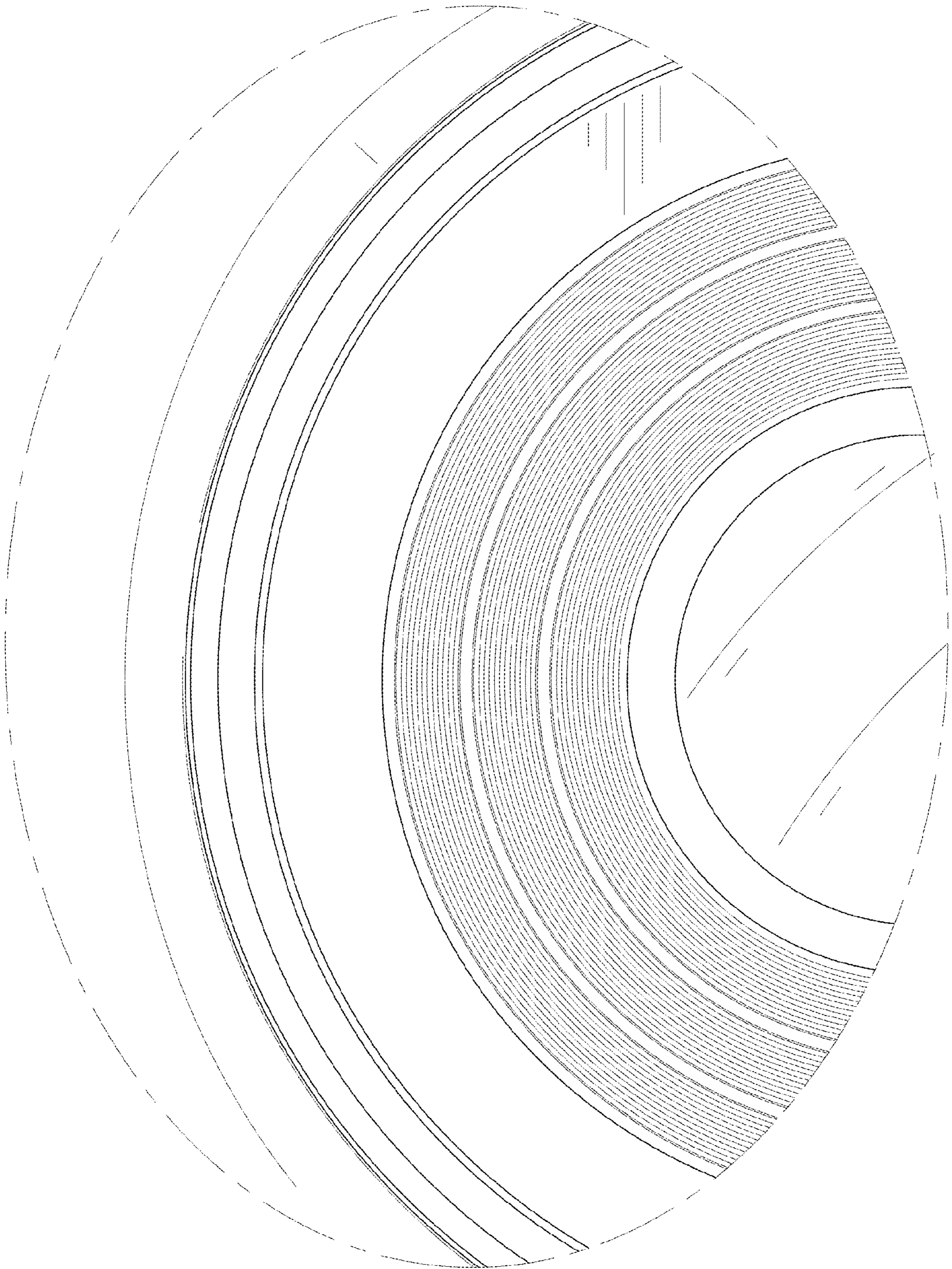


FIG. 10