



US00D921733S

(12) **United States Design Patent**
Li et al.

(10) **Patent No.:** **US D921,733 S**
(45) **Date of Patent:** **** Jun. 8, 2021**

(54) **ROBOTIC ARM EXTERIOR**

(71) Applicant: **Flexiv Ltd.**, Grand Cayman (KY)

(72) Inventors: **Xuesen Li**, San Mateo, CA (US);
Shiquan Wang, Foster City, CA (US)

(73) Assignee: **Flexiv Ltd.**, Grand Cayman (KY)

(**) Term: **15 Years**

(21) Appl. No.: **29/673,040**

(22) Filed: **Dec. 11, 2018**

(51) **LOC (13) Cl.** **15-03**

(52) **U.S. Cl.**
USPC **D15/199**

(58) **Field of Classification Search**

USPC D15/199; D12/128–133
CPC . B24B 37/34; B60R 2021/0027; B60R 21/00;
G05B 19/042; G05B 19/402; G05B
19/418; G05B 19/41835; G05B 19/42;
G05B 2219/25145; G05B 2219/39082;
(Continued)

(56) **References Cited**

U.S. PATENT DOCUMENTS

D638,455 S * 5/2011 Long D15/199
D650,820 S * 12/2011 Long D15/199
D651,627 S * 1/2012 Long D15/199
(Continued)

Primary Examiner — Khawaja Anwar

(74) *Attorney, Agent, or Firm* — K&L Gates LLP

(57) **CLAIM**

The ornamental design for a robotic arm exterior, as shown and described herein.

DESCRIPTION

FIG. 1 illustrates a top-perspective view of a robotic arm exterior in a first orientation.

FIG. 2 illustrates a rear view of a robotic arm exterior in the first orientation.

FIG. 3 illustrates a front view of a robotic arm exterior in the first orientation.

FIG. 4 illustrates a side view of a robotic arm exterior in the first orientation.

FIG. 5 illustrates a second side view of a robotic arm exterior in the first orientation.

FIG. 6 illustrates a top-down view of a robotic arm exterior in the first orientation.

FIG. 7 illustrates a bottom-up view of a robotic arm exterior in the first orientation.

FIG. 8 illustrates a top-perspective view of a robotic arm exterior in a second orientation.

FIG. 9 illustrates a rear view of a robotic arm exterior in the second orientation.

FIG. 10 illustrates a front view of a robotic arm exterior in the second orientation.

FIG. 11 illustrates a side view of a robotic arm exterior in the second orientation.

FIG. 12 illustrates a second side view of a robotic arm exterior in the second orientation.

FIG. 13 illustrates a top-down view of a robotic arm exterior in the second orientation.

FIG. 14 illustrates a bottom-up view of a robotic arm exterior in the second orientation.

FIG. 15 illustrates a top-perspective view of a robotic arm exterior in a third orientation.

FIG. 16 illustrates a rear view of a robotic arm exterior in the third orientation.

FIG. 17 illustrates a front view of a robotic arm exterior in the third orientation.

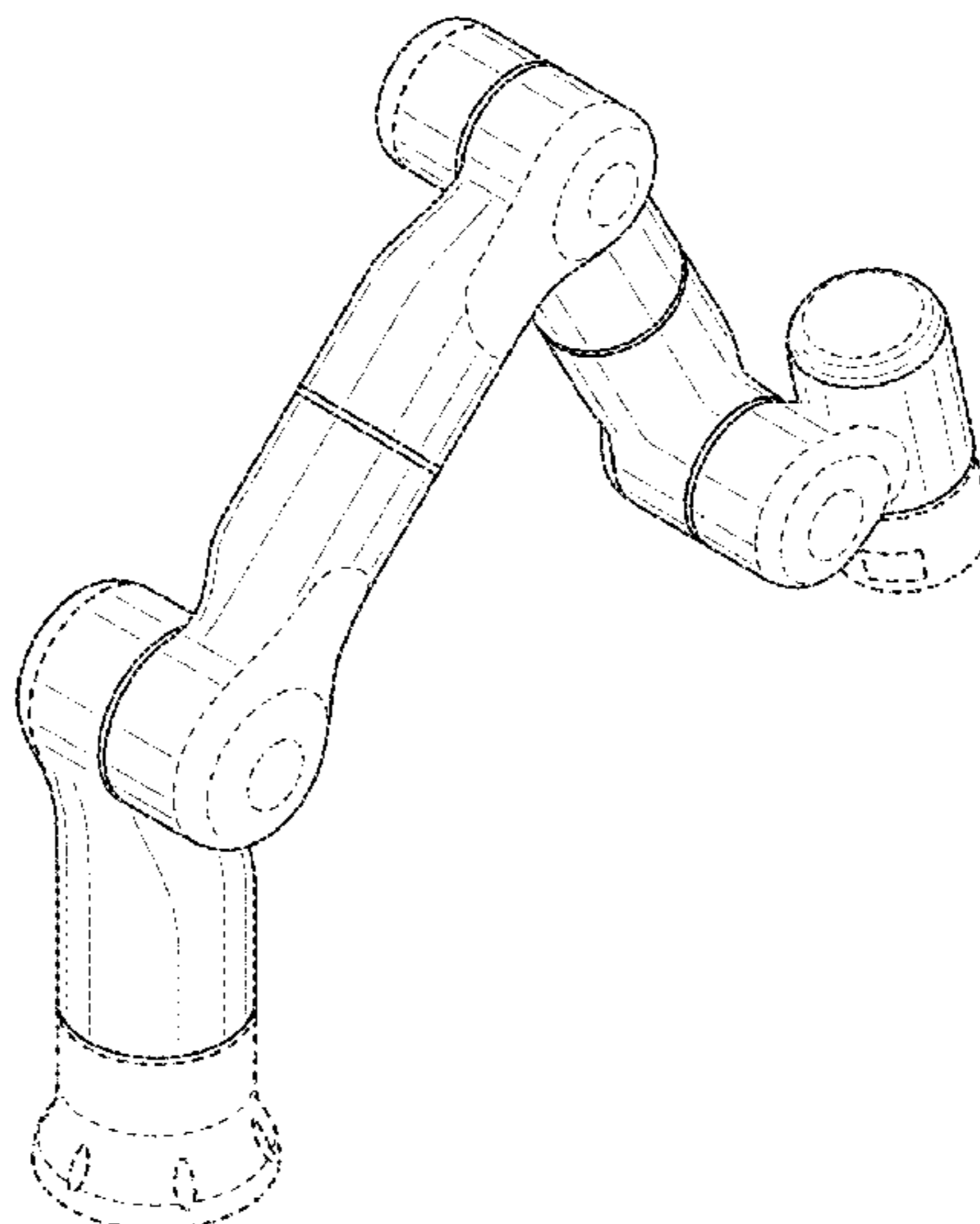
FIG. 18 illustrates a side view of a robotic arm exterior in the third orientation.

FIG. 19 illustrates a second side view of a robotic arm exterior in the third orientation.

FIG. 20 illustrates a top-down view of a robotic arm exterior in the third orientation; and,

FIG. 21 illustrates a bottom-up view of a robotic arm exterior in the third orientation.

1 Claim, 20 Drawing Sheets



(58) **Field of Classification Search**

CPC G05B 2219/39191; G05B 2219/39322;
G05B 2219/45031

See application file for complete search history.

(56) **References Cited**

U.S. PATENT DOCUMENTS

D670,319 S * 11/2012 Liu D15/199
D678,378 S 3/2013 Selic
8,434,387 B2 * 5/2013 Nakagiri B25J 9/104
74/490.01
8,537,346 B2 * 9/2013 Nakagiri B25J 9/1692
356/139.07
D713,436 S * 9/2014 Liu D15/199
D877,786 S * 3/2020 Gayne D15/199
D877,787 S * 3/2020 Kinoshita D15/199
D879,174 S * 3/2020 Kammermeier D15/199
D880,552 S * 4/2020 Kawaguchi D15/199
2008/0271561 A1 * 11/2008 Ohara B23K 9/133
74/490.01

* cited by examiner

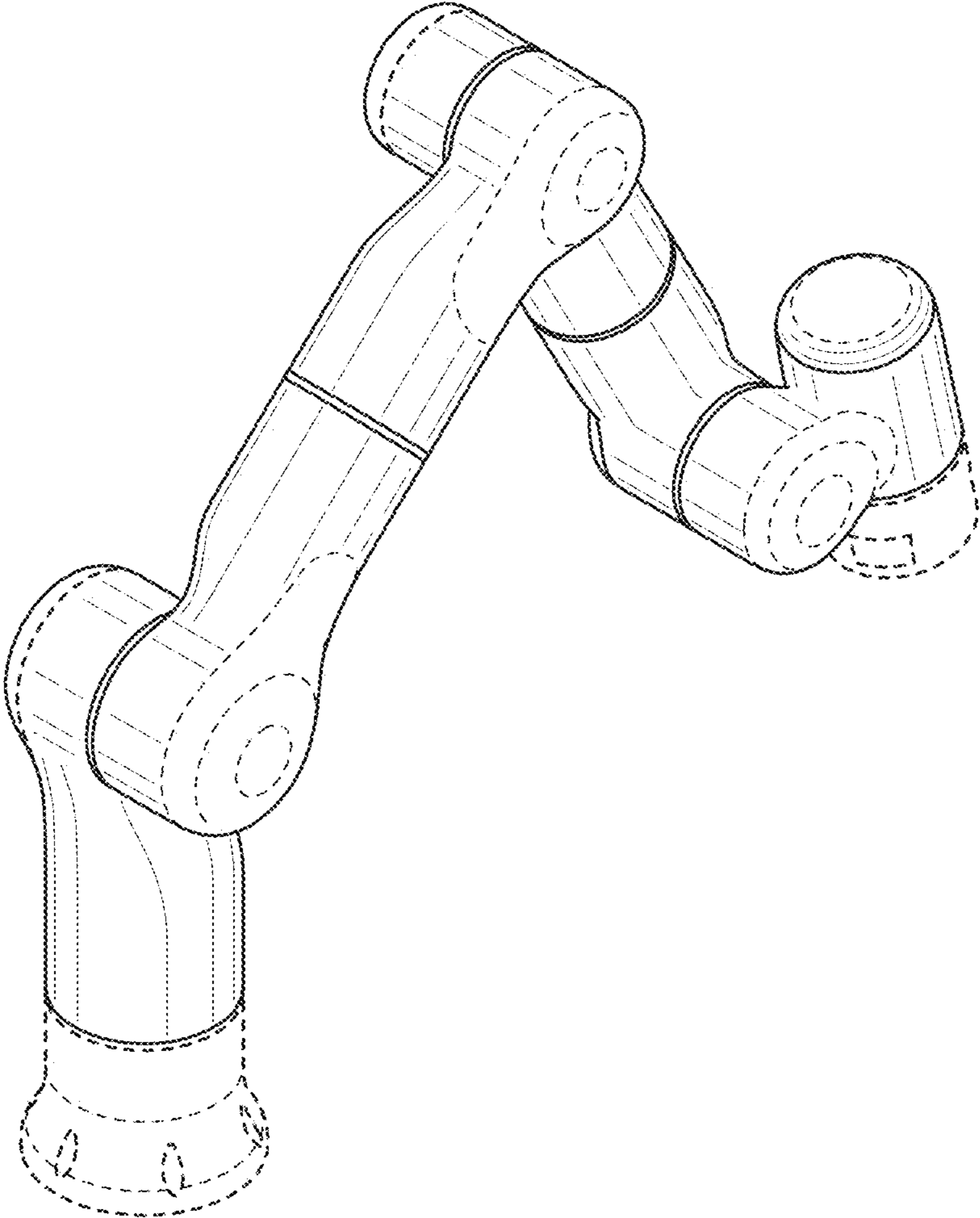


FIG. 1

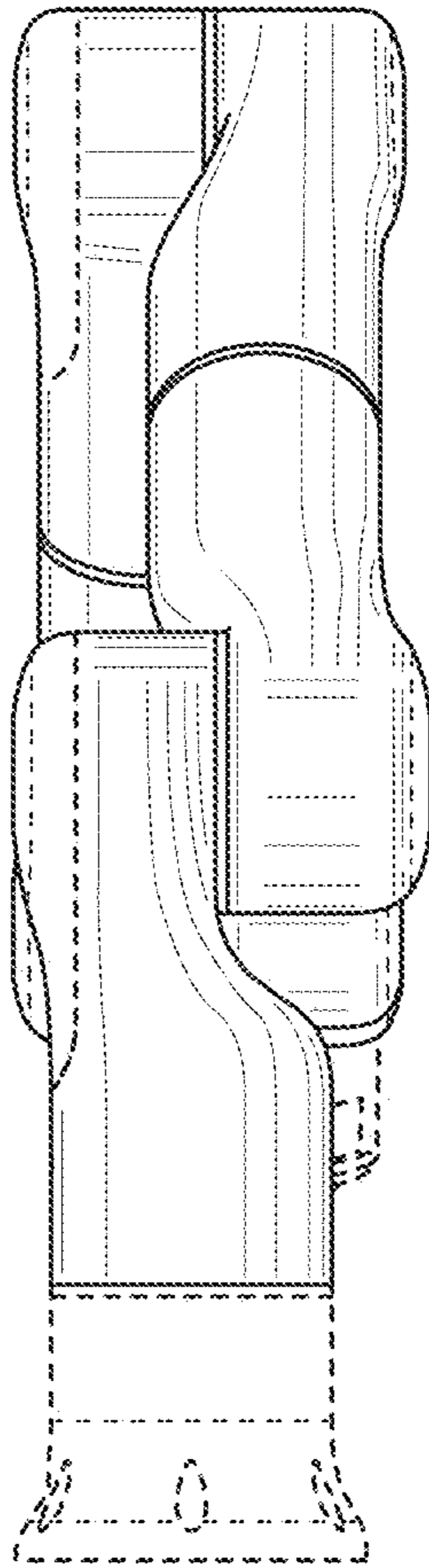


FIG. 2

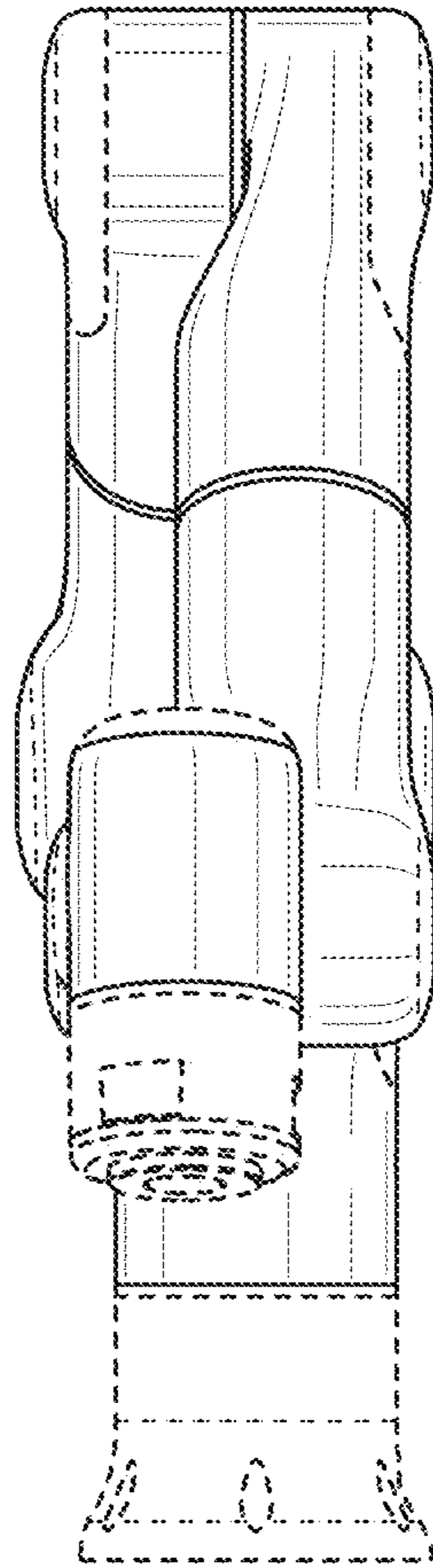


FIG. 3

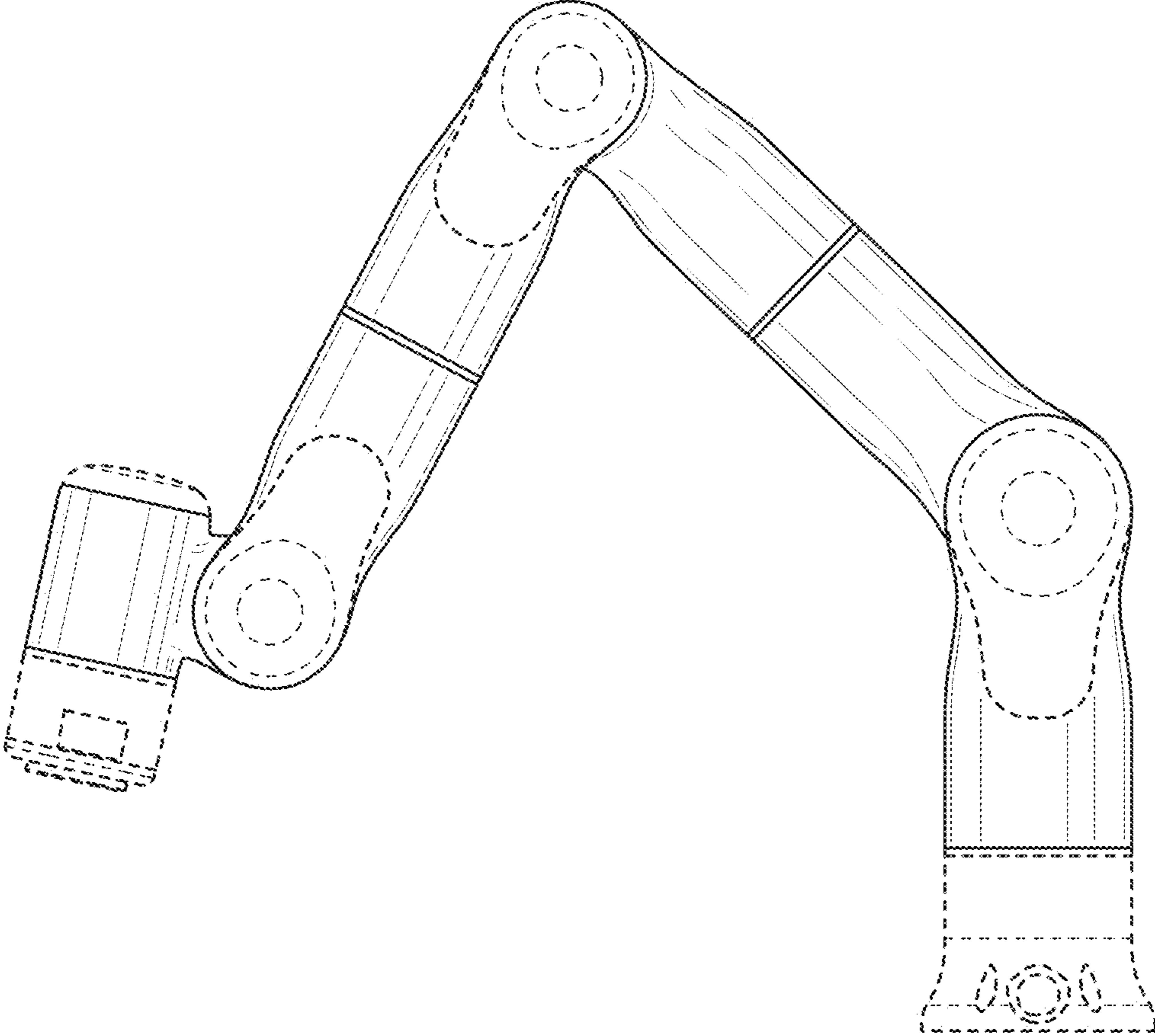


FIG. 4

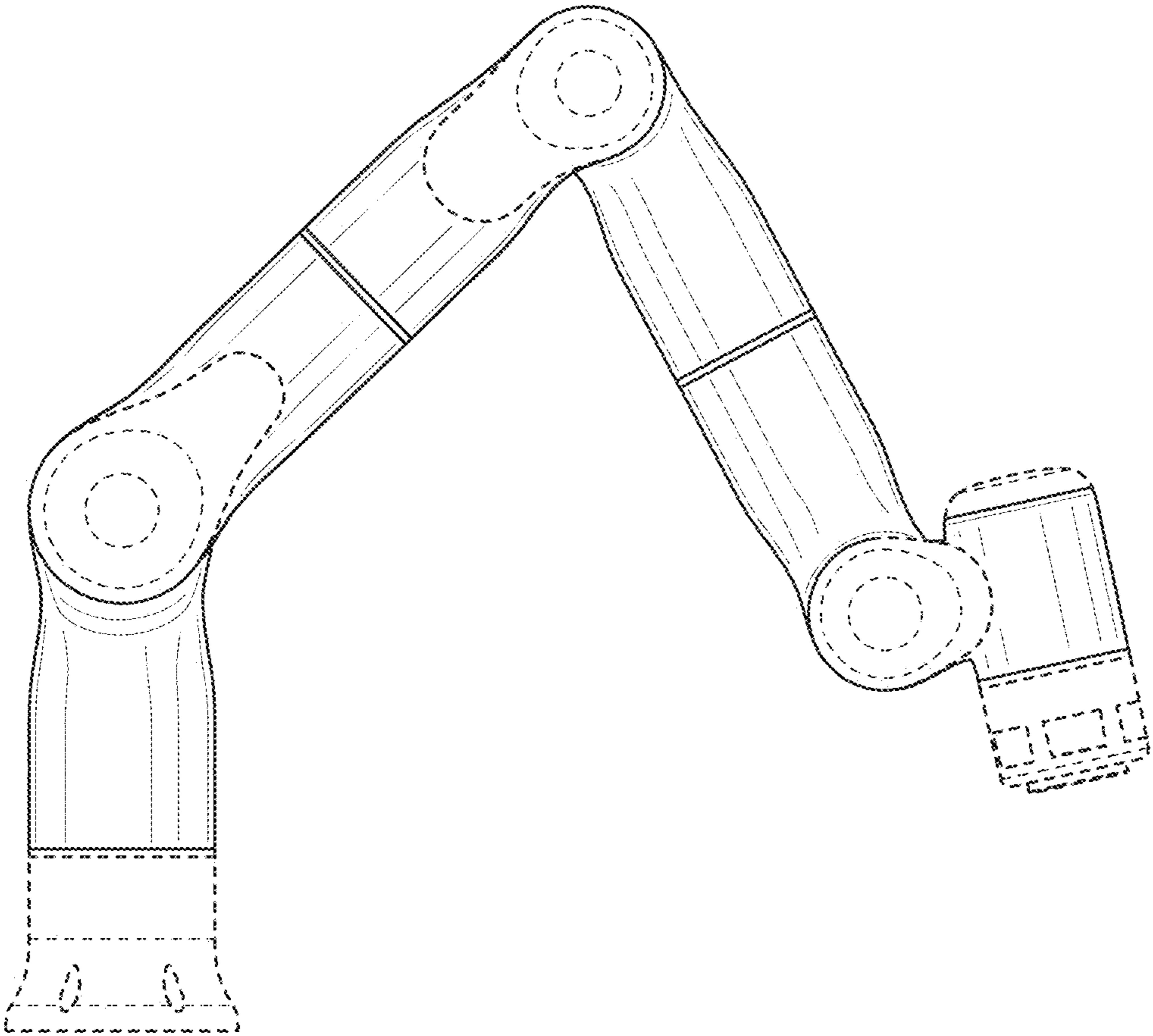


FIG. 5

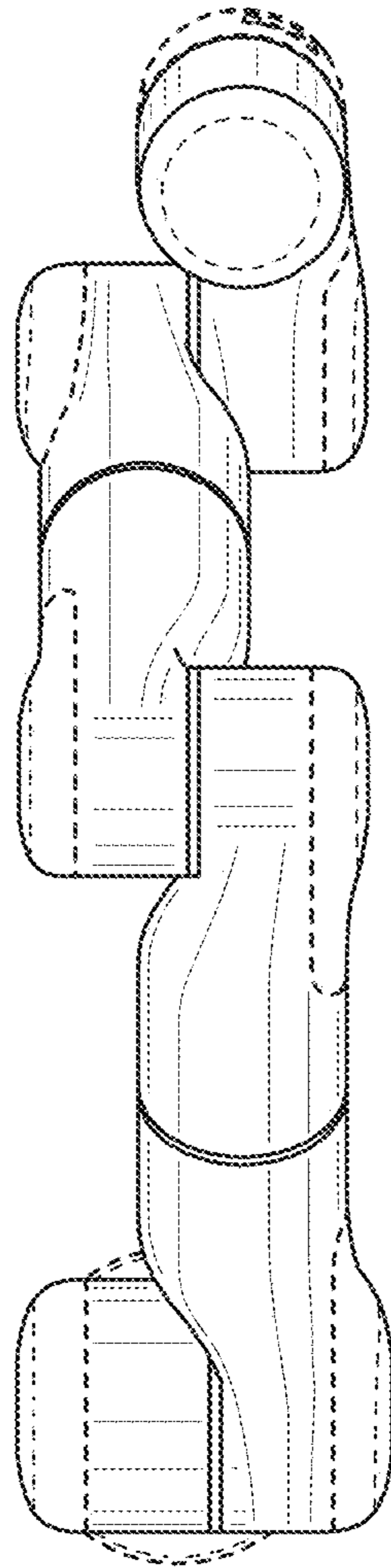


FIG. 6

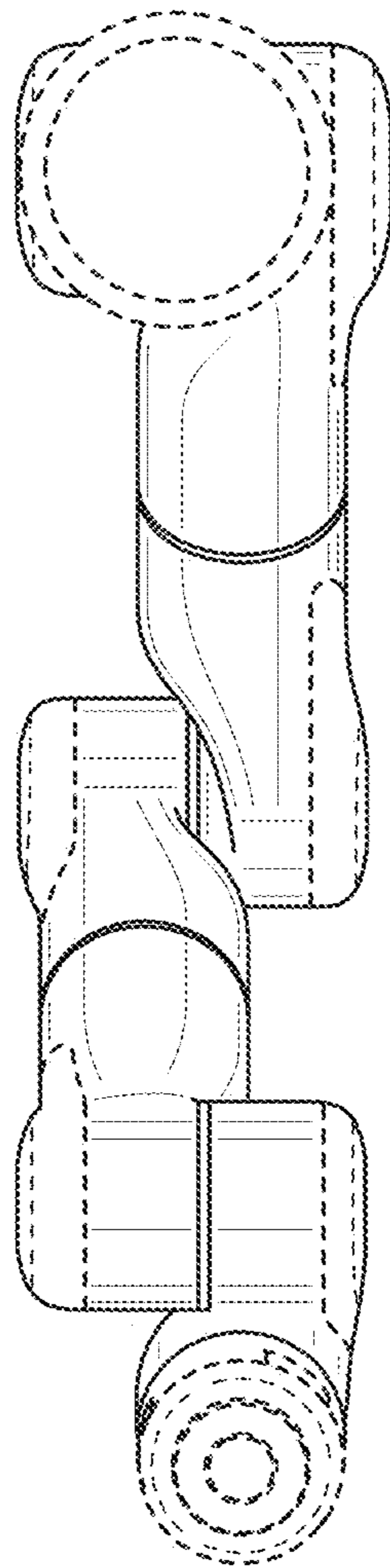


FIG. 7

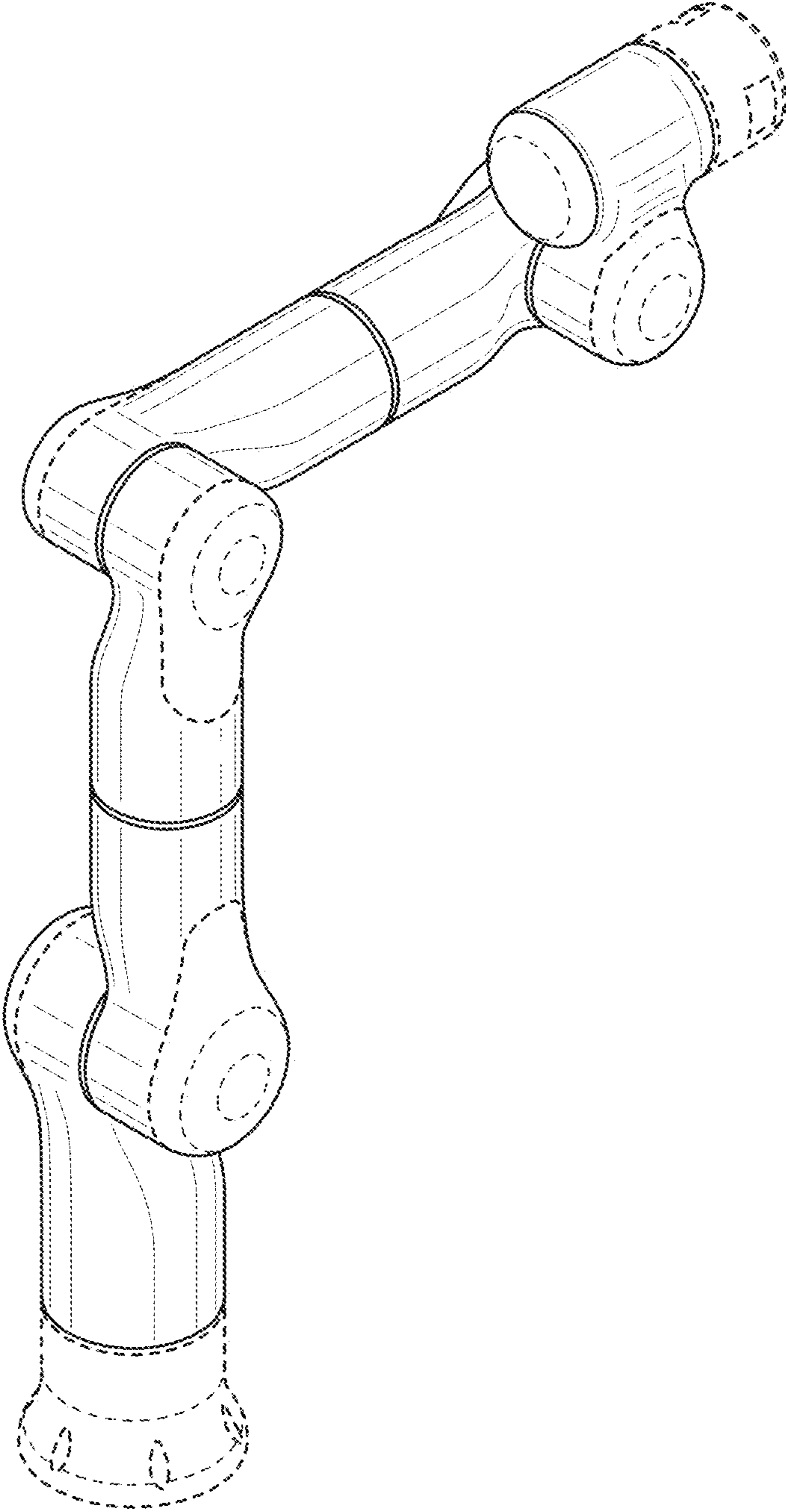


FIG. 8

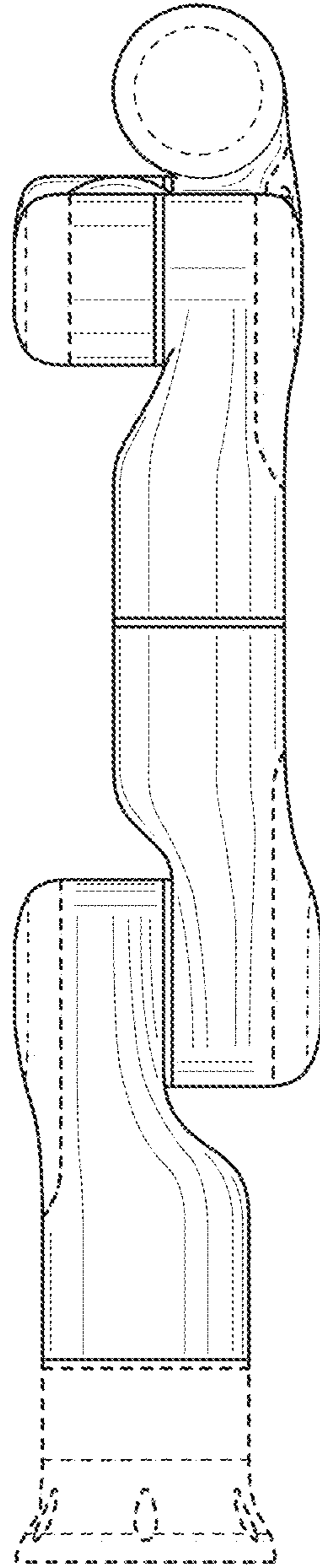


FIG. 9

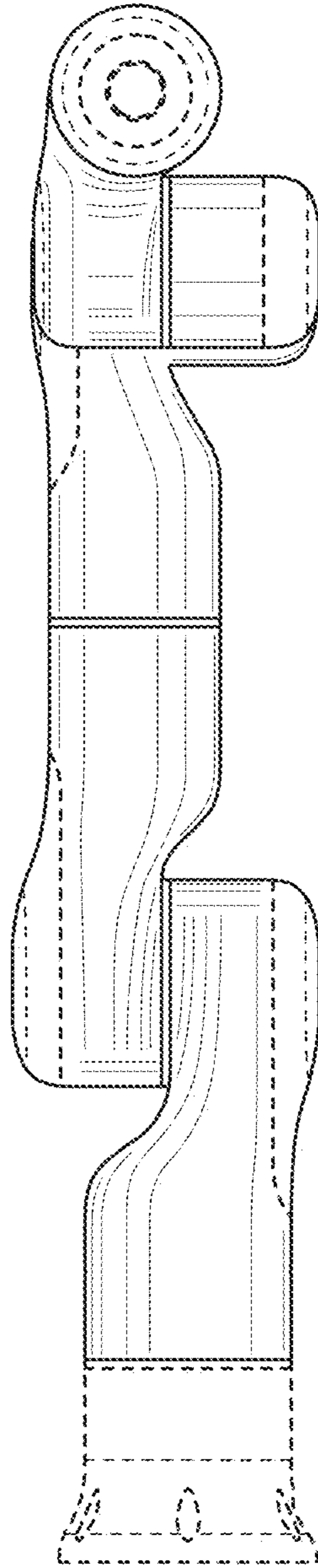


FIG. 10

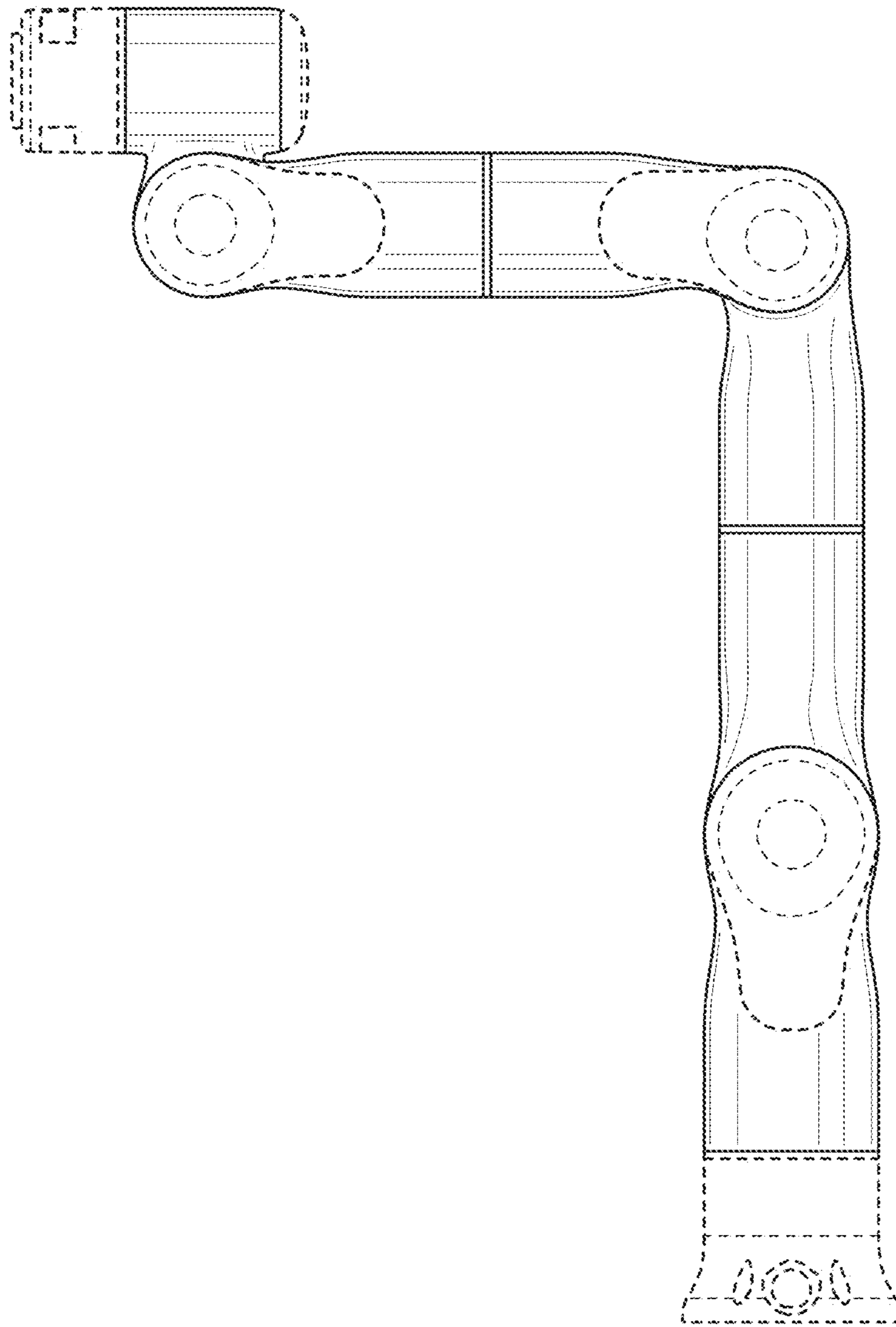


FIG. 11

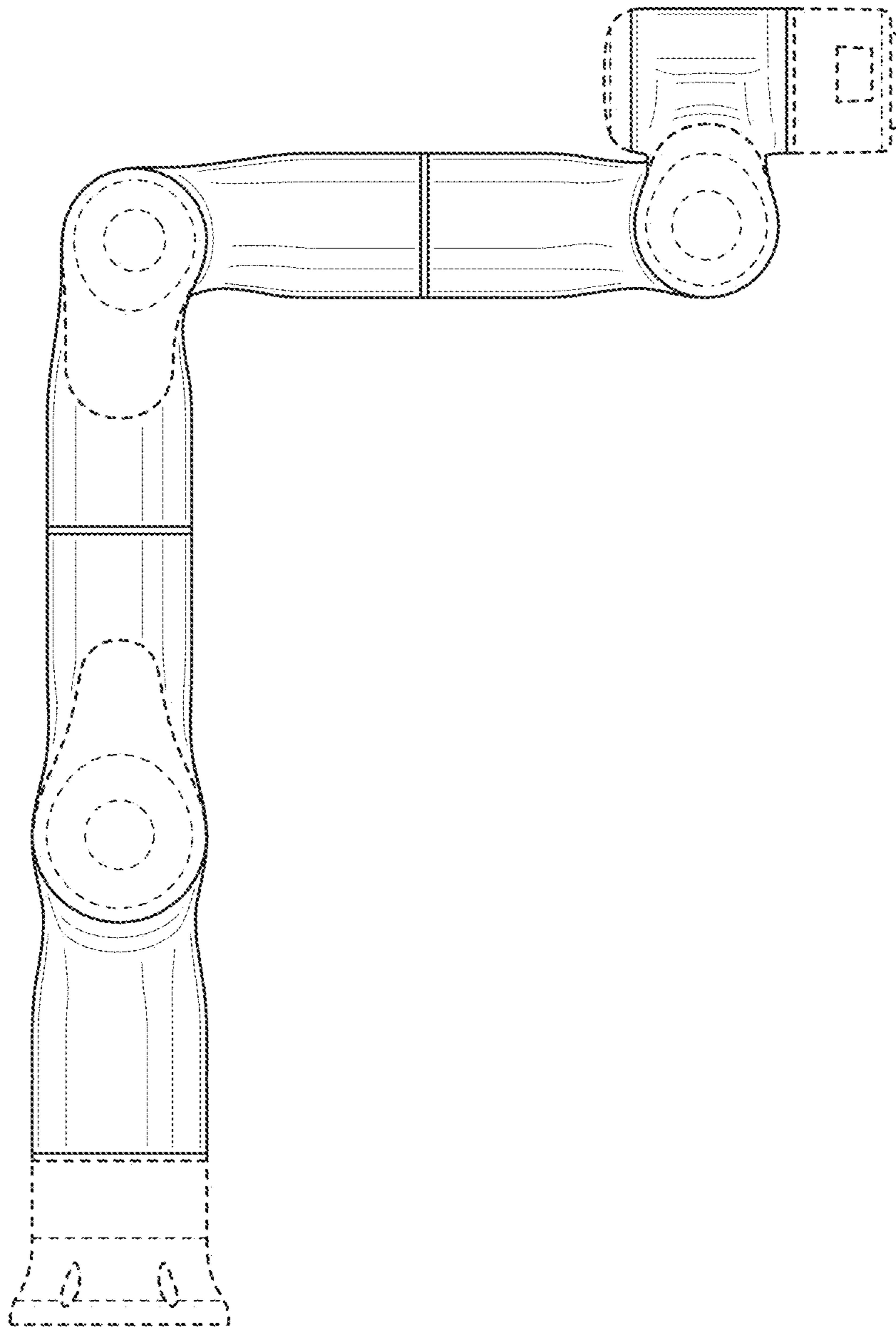


FIG. 12

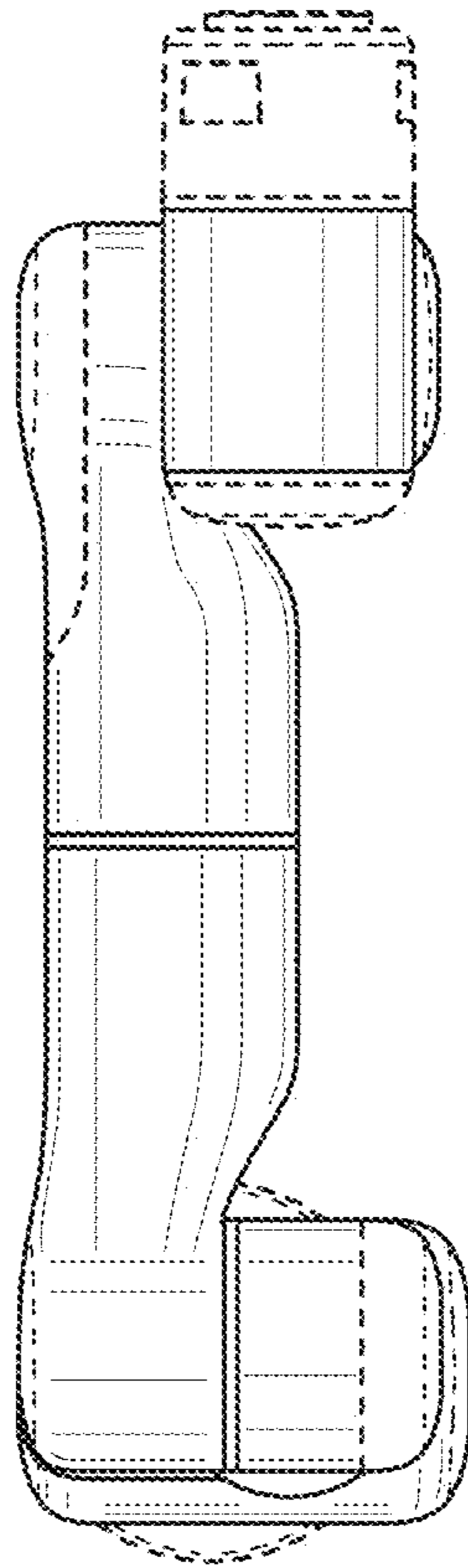


FIG. 13

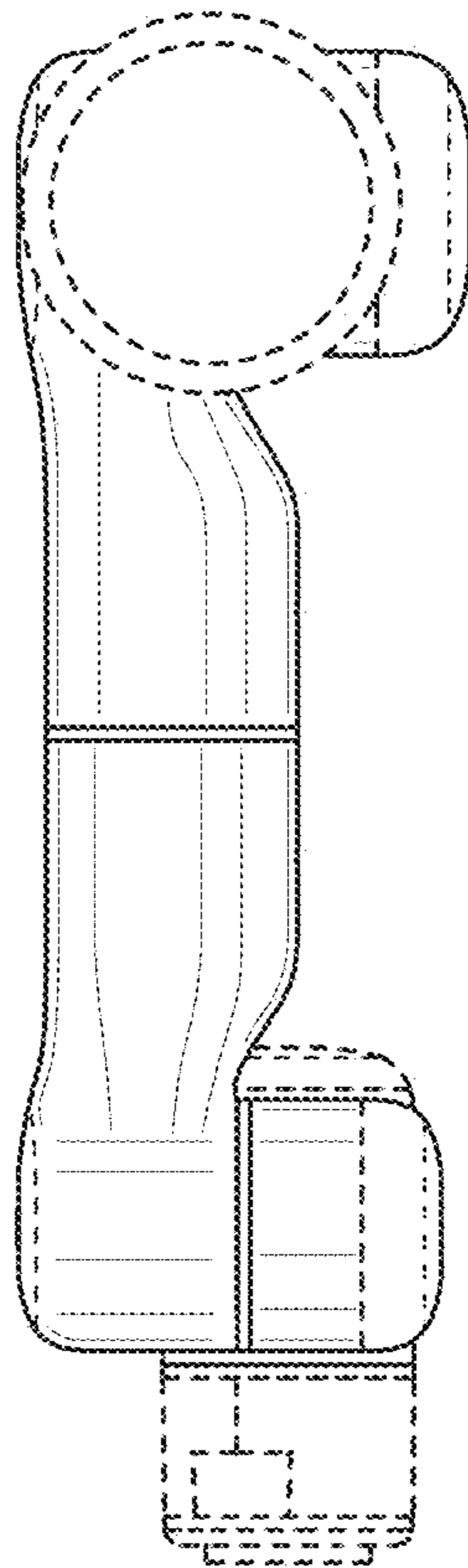


FIG. 14

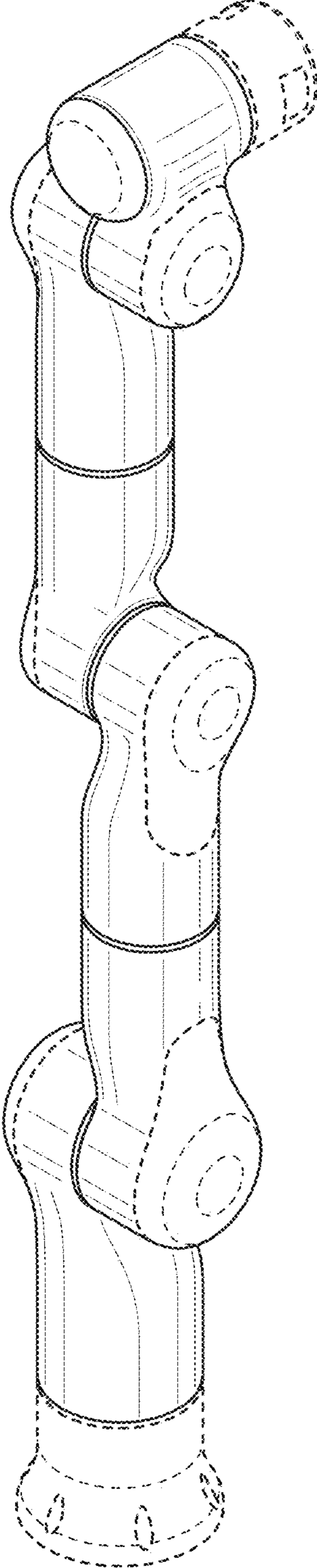


FIG. 15

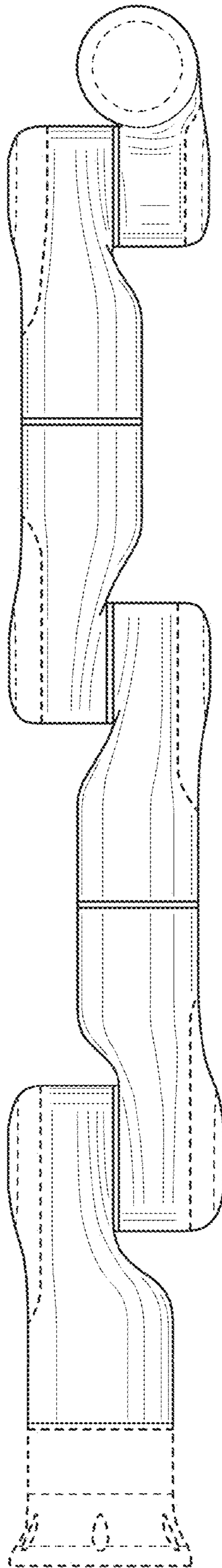


FIG. 16

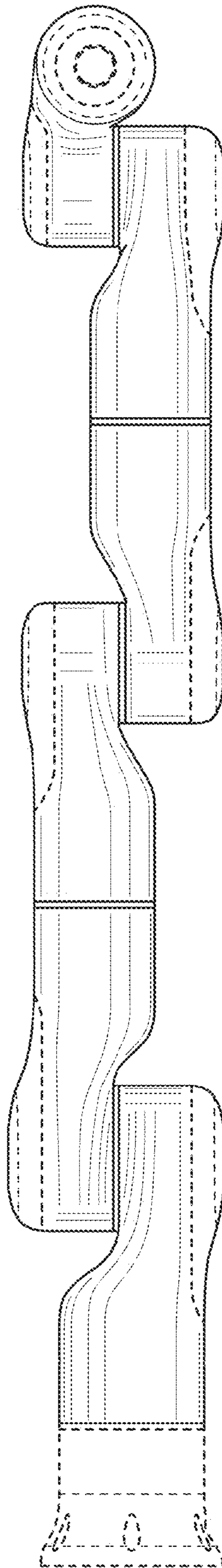


FIG. 17

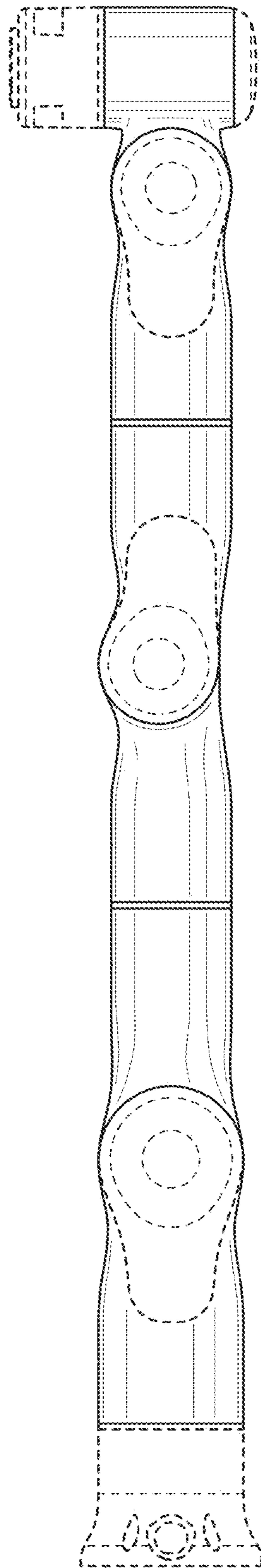


FIG. 18

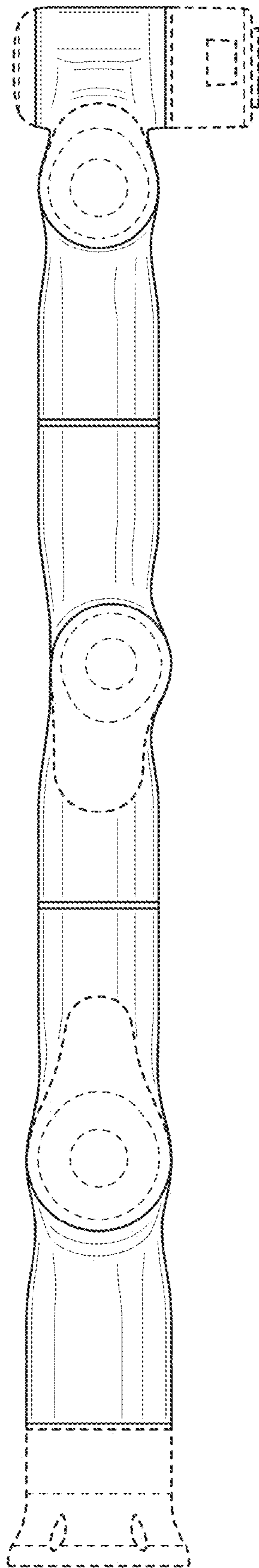


FIG. 19

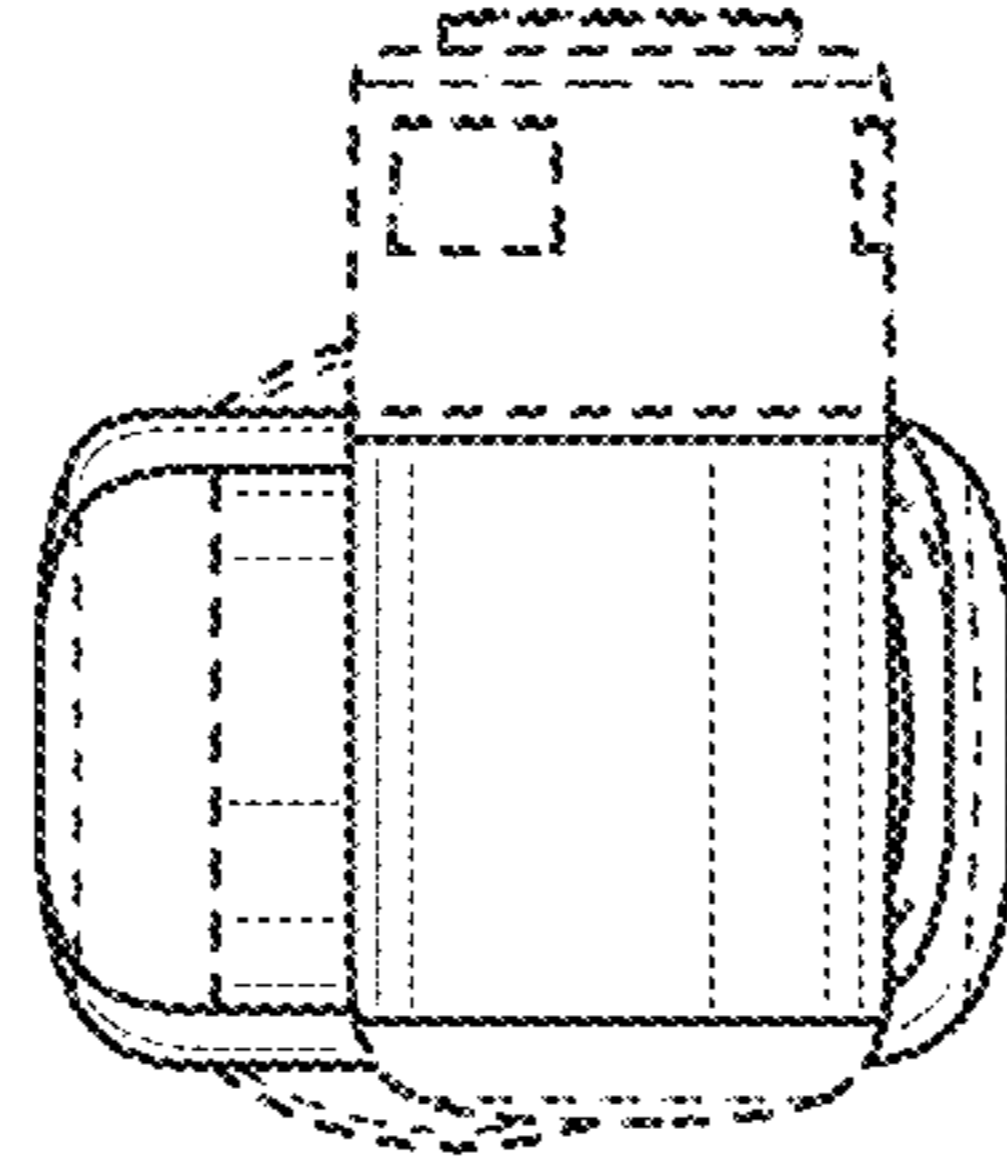


FIG. 20

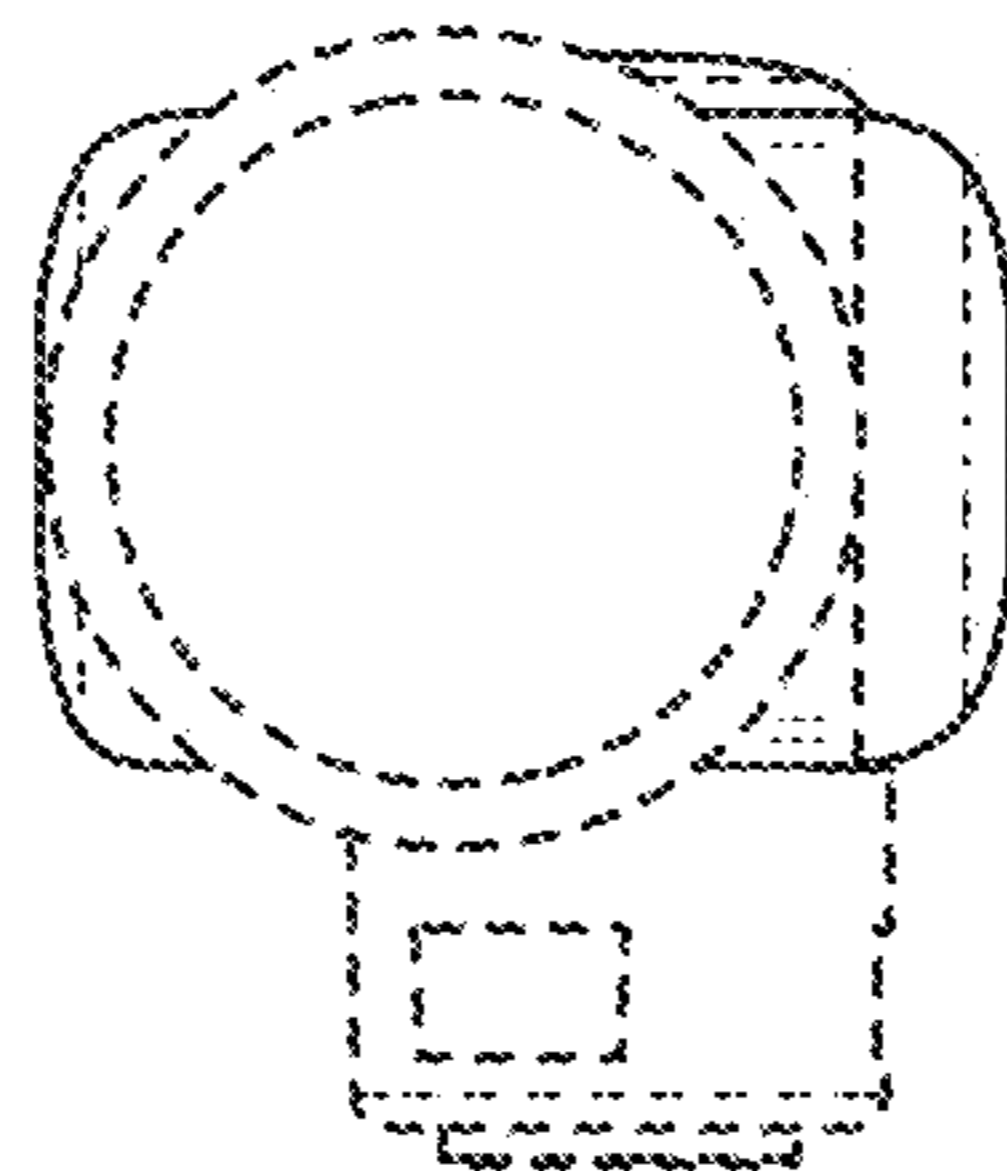


FIG. 21