



US00D921730S

(12) **United States Design Patent**
Chen

(10) **Patent No.:** **US D921,730 S**

(45) **Date of Patent:** **** Jun. 8, 2021**

(54) **VACUUM SEALER**

(71) Applicant: **Kunhua Chen**, Shenzhen (CN)

(72) Inventor: **Kunhua Chen**, Shenzhen (CN)

(**) Term: **15 Years**

(21) Appl. No.: **29/689,203**

(22) Filed: **Apr. 29, 2019**

(51) **LOC (13) Cl.** **15-99**

(52) **U.S. Cl.**
USPC **D15/146**

(58) **Field of Classification Search**
USPC D15/134, 146; D18/50, 55; D14/125,
D14/214–216, 422
CPC B65B 31/00; B65B 31/02; B65B 31/024;
B65B 31/048; B65B 51/10; B65B 51/14;
B65B 51/146; B65B 41/12; B29C
66/8491; B29C 65/30

See application file for complete search history.

(56) **References Cited**

U.S. PATENT DOCUMENTS

5,048,269	A	*	9/1991	Deni	B29C 66/81427 53/512
D342,532	S	*	12/1993	Deni	D15/146
D506,214	S	*	6/2005	Zepter	D15/146
D515,601	S	*	2/2006	Sholzberg	D15/146
D544,907	S	*	6/2007	Tjin Wong Joe	D18/55
D597,572	S	*	8/2009	Tsai	D15/146
D602,966	S	*	10/2009	Kiple	D15/146
D633,118	S	*	2/2011	Beatty	D15/146
D658,694	S	*	5/2012	Day	D15/146
D684,762	S	*	6/2013	Cho	D3/204
D686,212	S	*	7/2013	Yamano	D14/422
D694,793	S	*	12/2013	Cumming	D15/146
D694,794	S	*	12/2013	Cumming	D15/146
D763,334	S	*	8/2016	Yoshitomi	D15/146
D777,248	S	*	1/2017	Oguchi	D18/50

D788,199	S	*	5/2017	Owens	D15/146
D789,431	S	*	6/2017	Owens	D15/146
D812,662	S	*	3/2018	Chang	D15/146
D820,905	S	*	6/2018	Wan	D18/50
D823,913	S	*	7/2018	Chou	D15/146
D847,226	S	*	4/2019	Owens	D15/134
D854,065	S	*	7/2019	Owens	D15/146
D854,594	S	*	7/2019	Carey	D15/146
D866,624	S	*	11/2019	Choi	D15/146
D871,383	S	*	12/2019	Lee	D14/240
D871,470	S	*	12/2019	Xu	D15/146
D876,409	S	*	2/2020	Lee	D14/240

(Continued)

OTHER PUBLICATIONS

Valdus, Food Vacuum Sealer Machine, (first available Jun. 2, 2020)
Amazon.com, URL:<<https://www.amazon.com/Valdus-Machine-Sealing-Automatic-Preservation/dp/B089KH31QN>> (Year: 2020).*

(Continued)

Primary Examiner — Sheryl Lane
Assistant Examiner — Mark T. Philipps

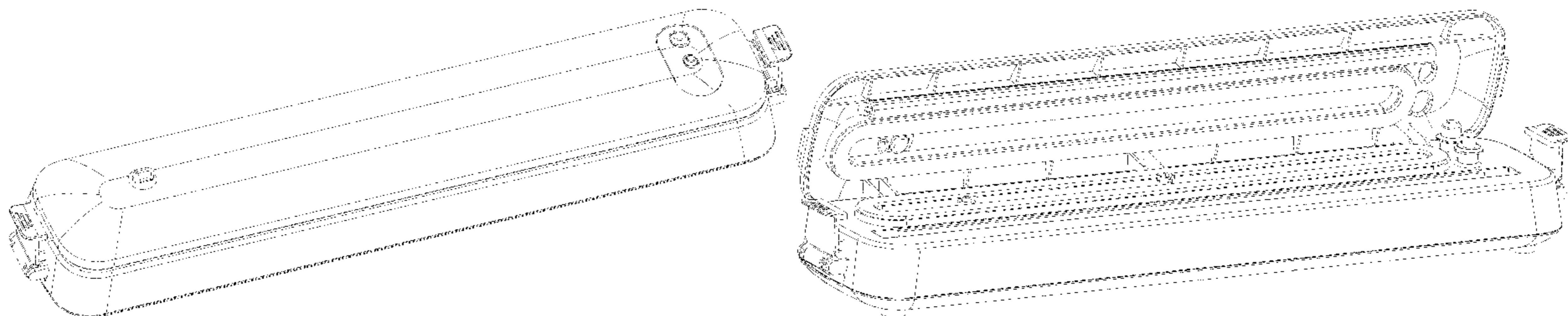
(57) **CLAIM**

The ornamental design for a vacuum sealer, as shown.

DESCRIPTION

FIG. 1 is a front elevational view of a vacuum sealer showing my new design;
FIG. 2 is a rear elevational view thereof;
FIG. 3 is a left side view thereof;
FIG. 4 is a right side view thereof;
FIG. 5 is a top plan view thereof;
FIG. 6 is a bottom plan view thereof;
FIG. 7 is a perspective view thereof;
FIG. 8 is a second perspective view thereof;
FIG. 9 is a third perspective view thereof; and,
FIG. 10 is a perspective view in open state thereof.

1 Claim, 10 Drawing Sheets



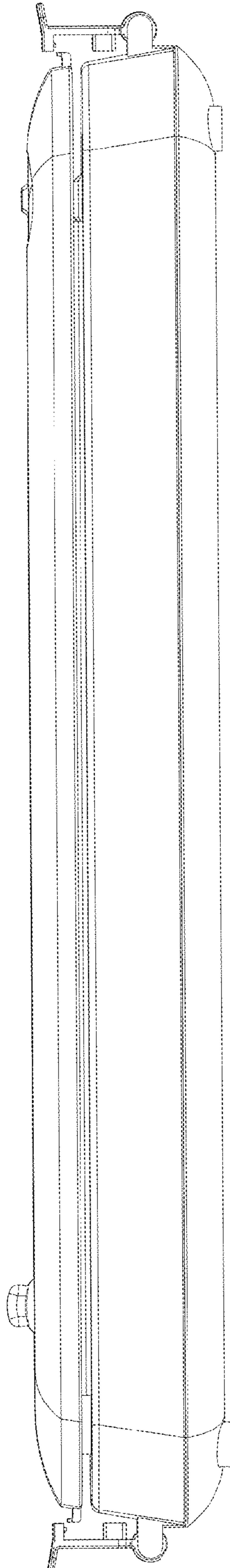


FIG. 1

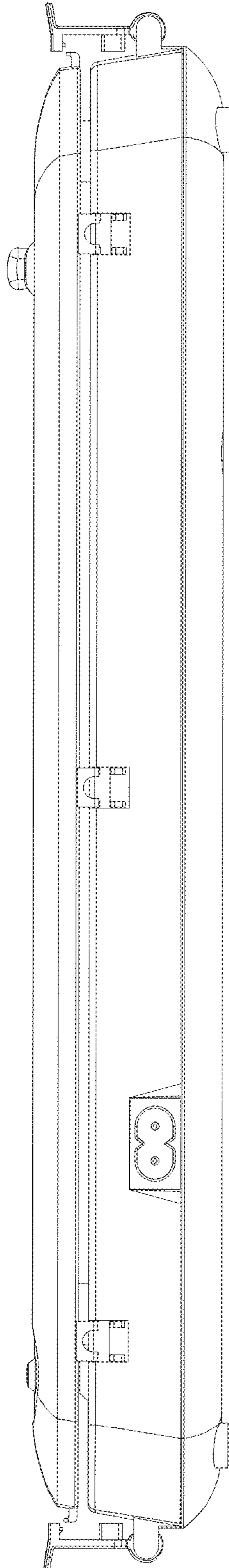


FIG. 2

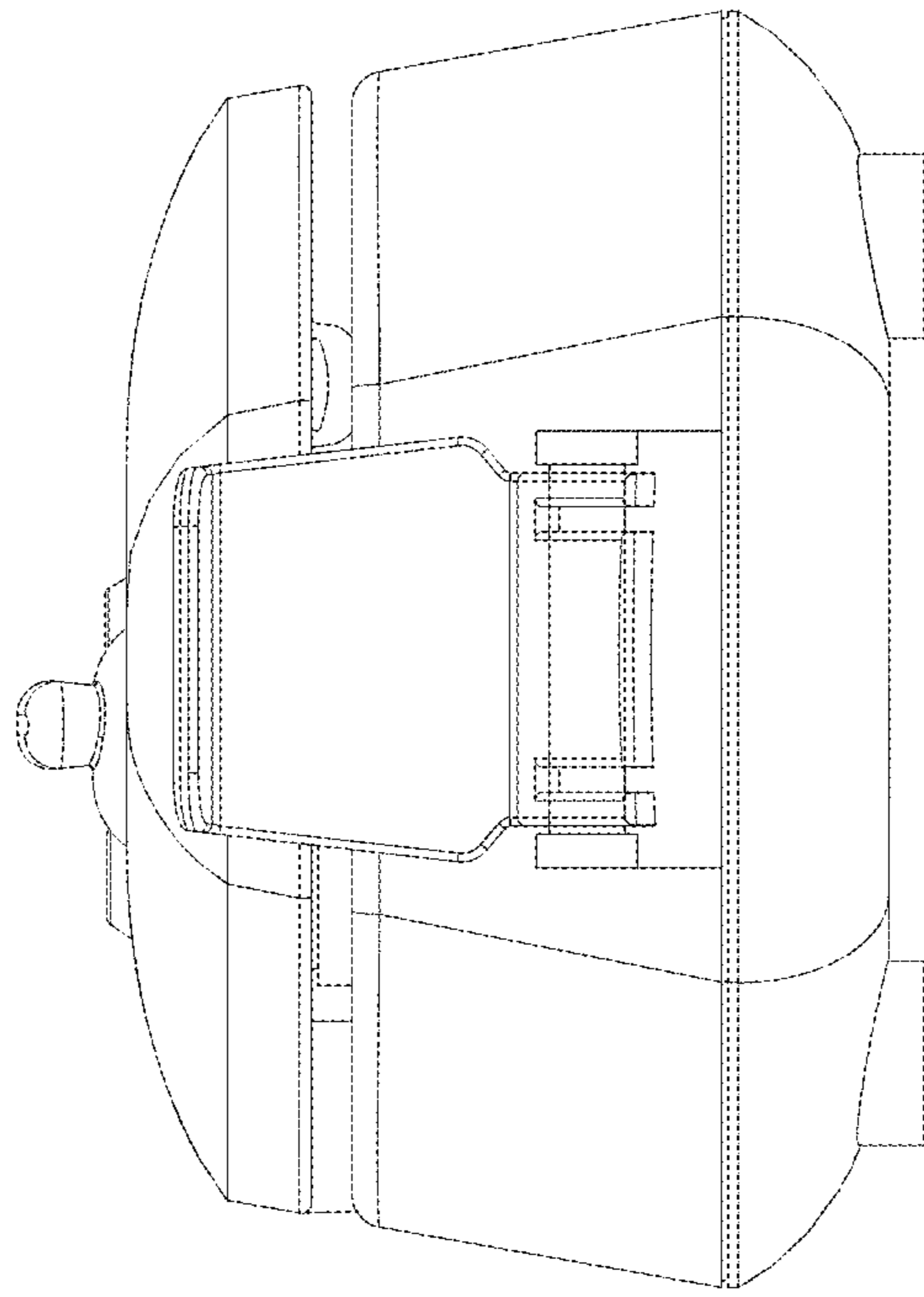


FIG. 3

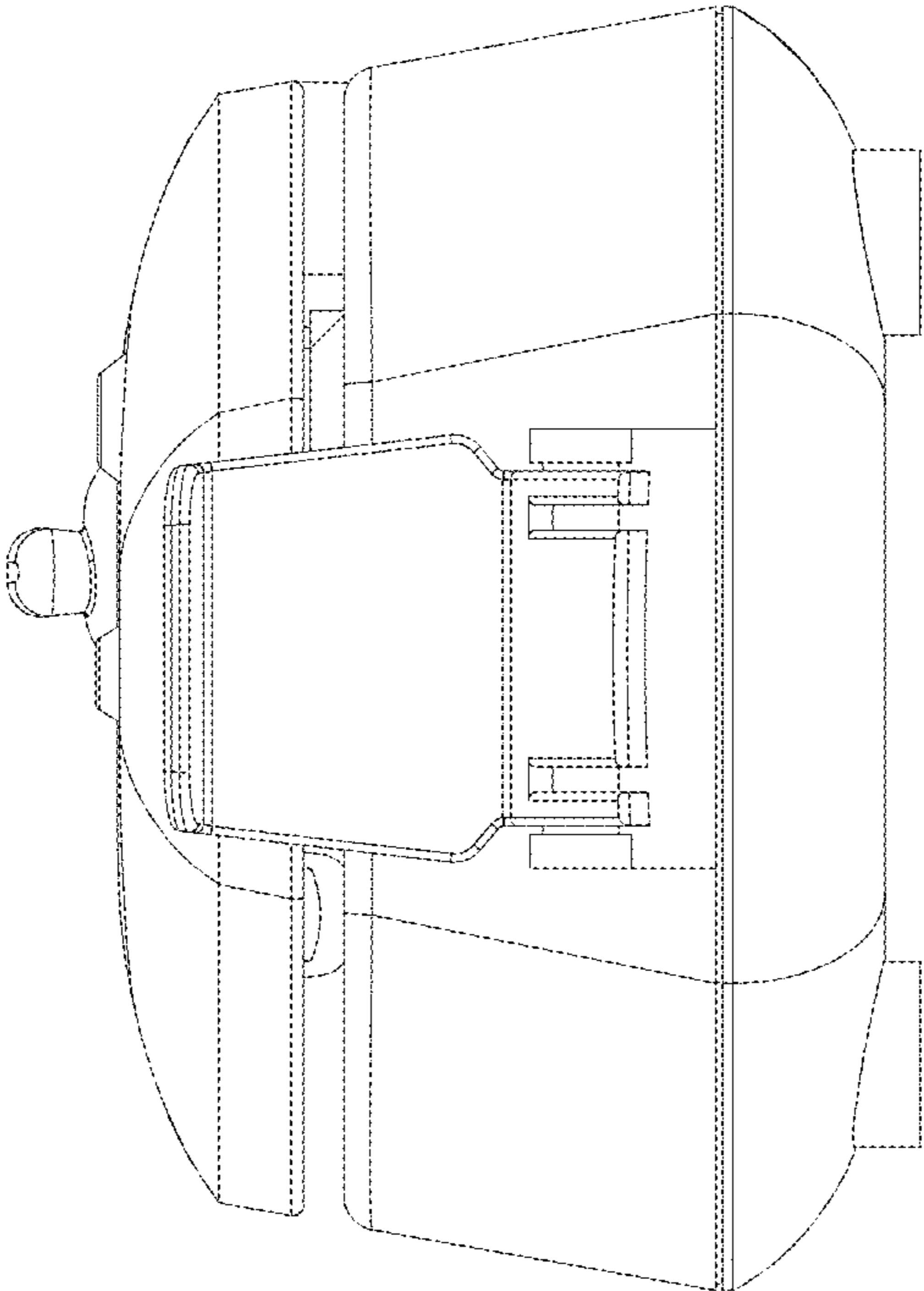


FIG. 4

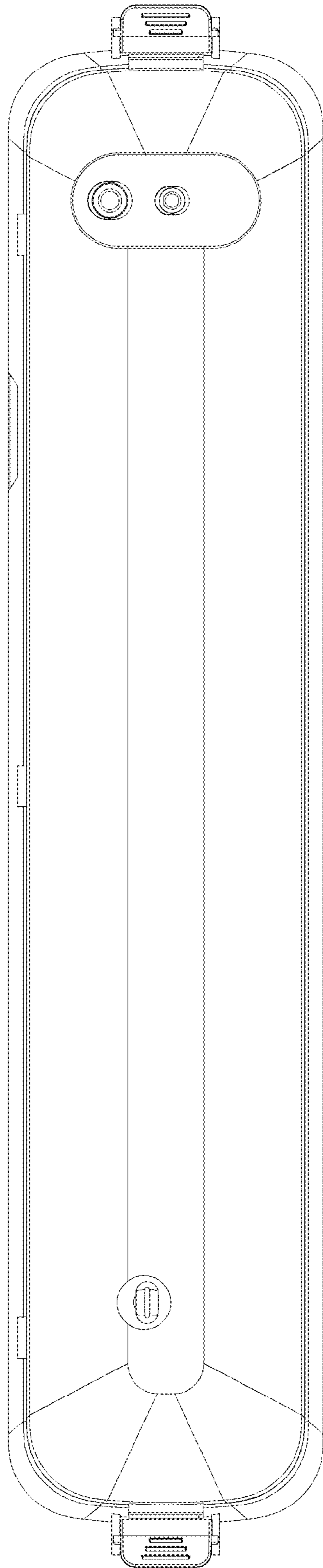


FIG. 5

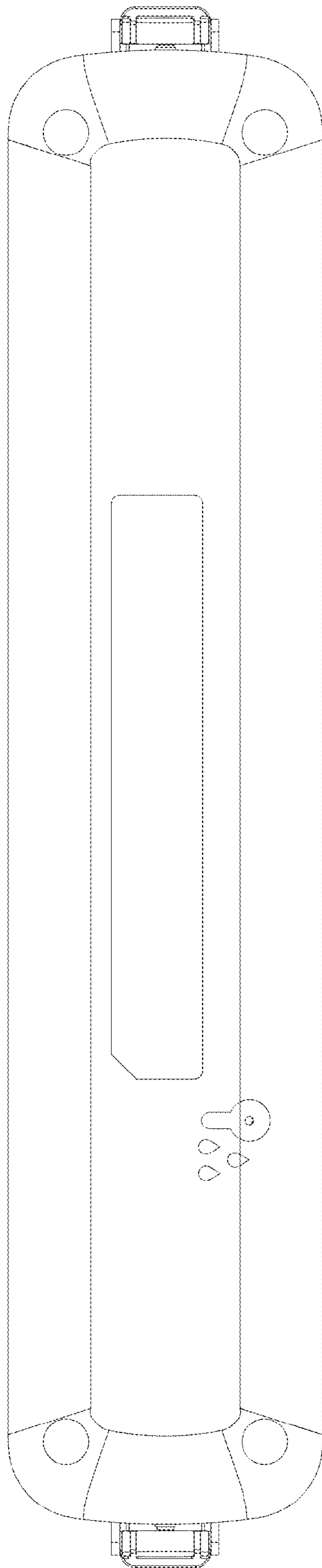


FIG. 6

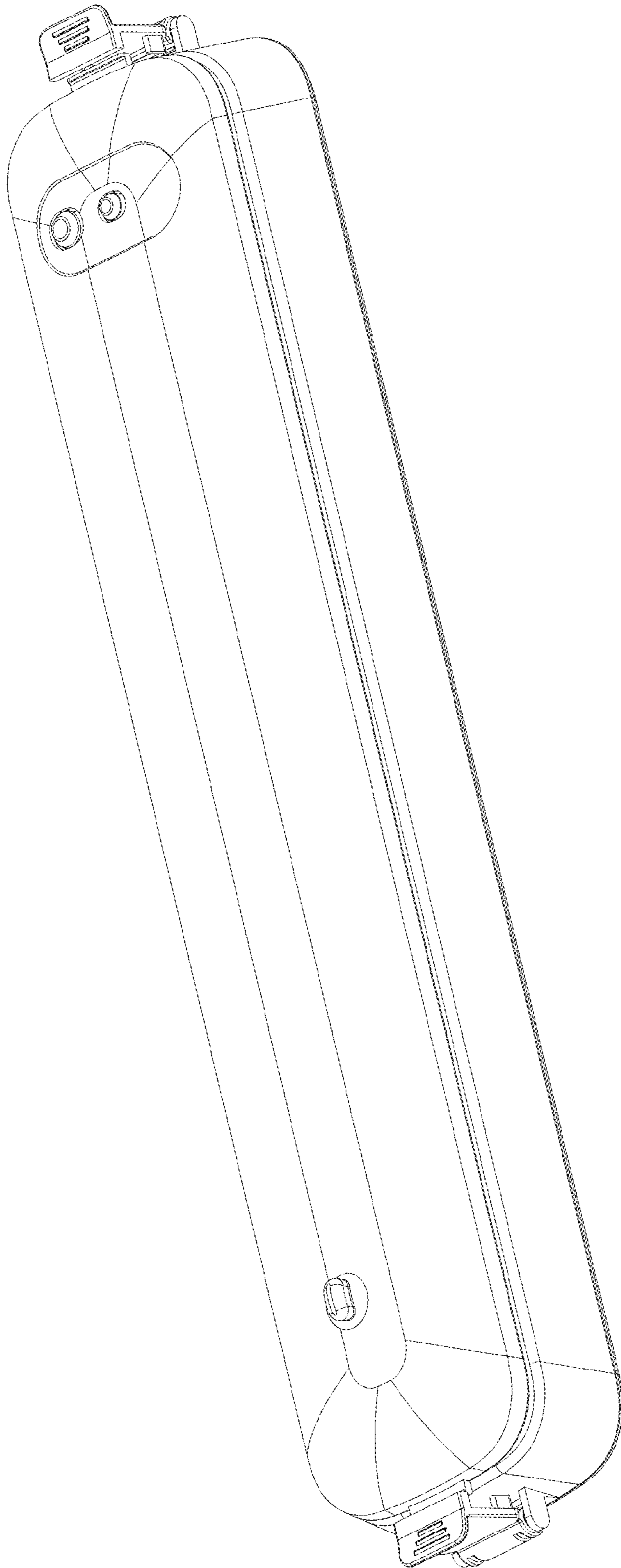


FIG. 7

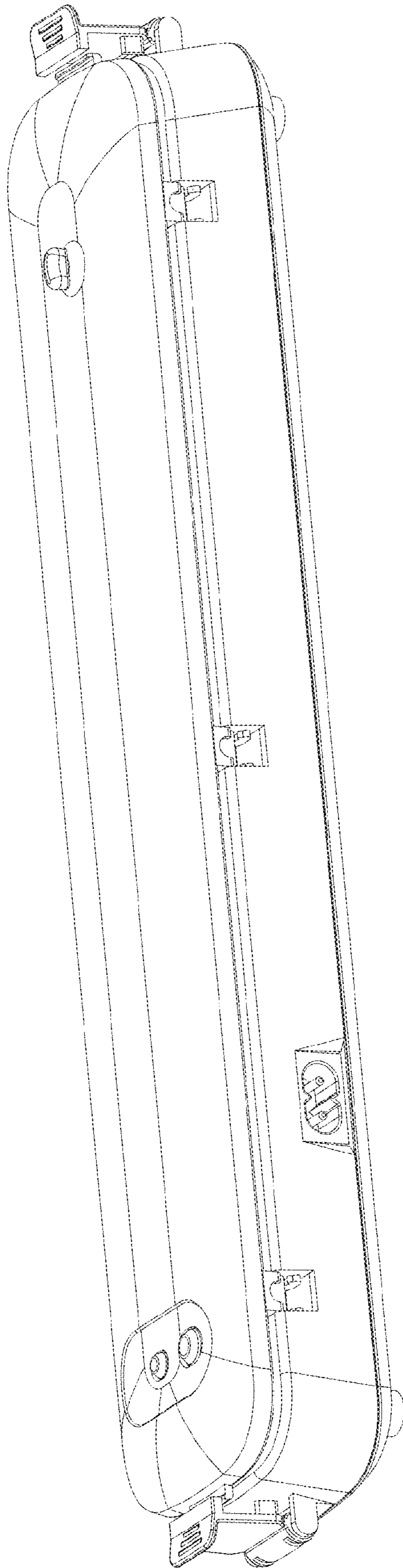


FIG. 8

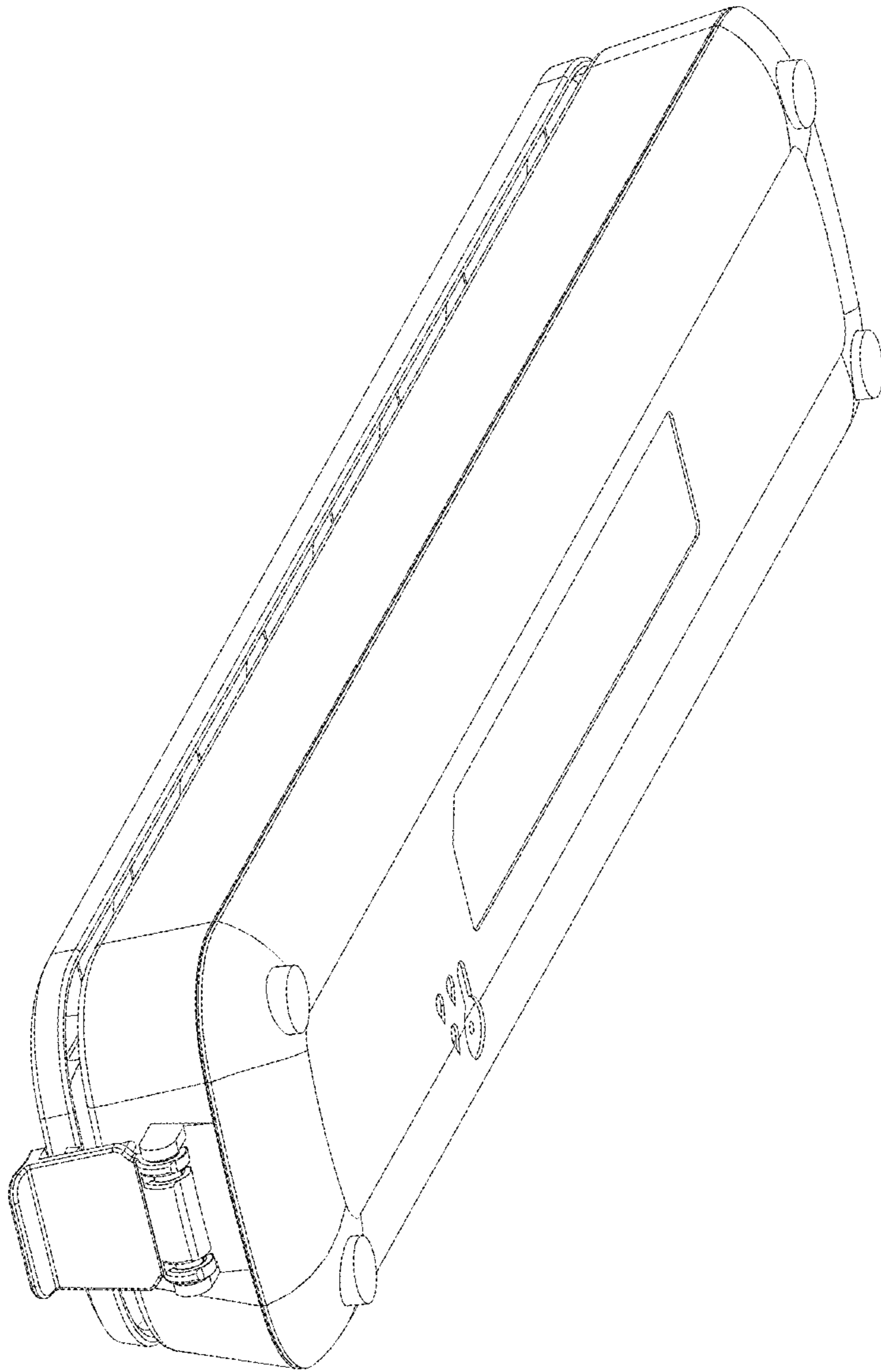


FIG. 9

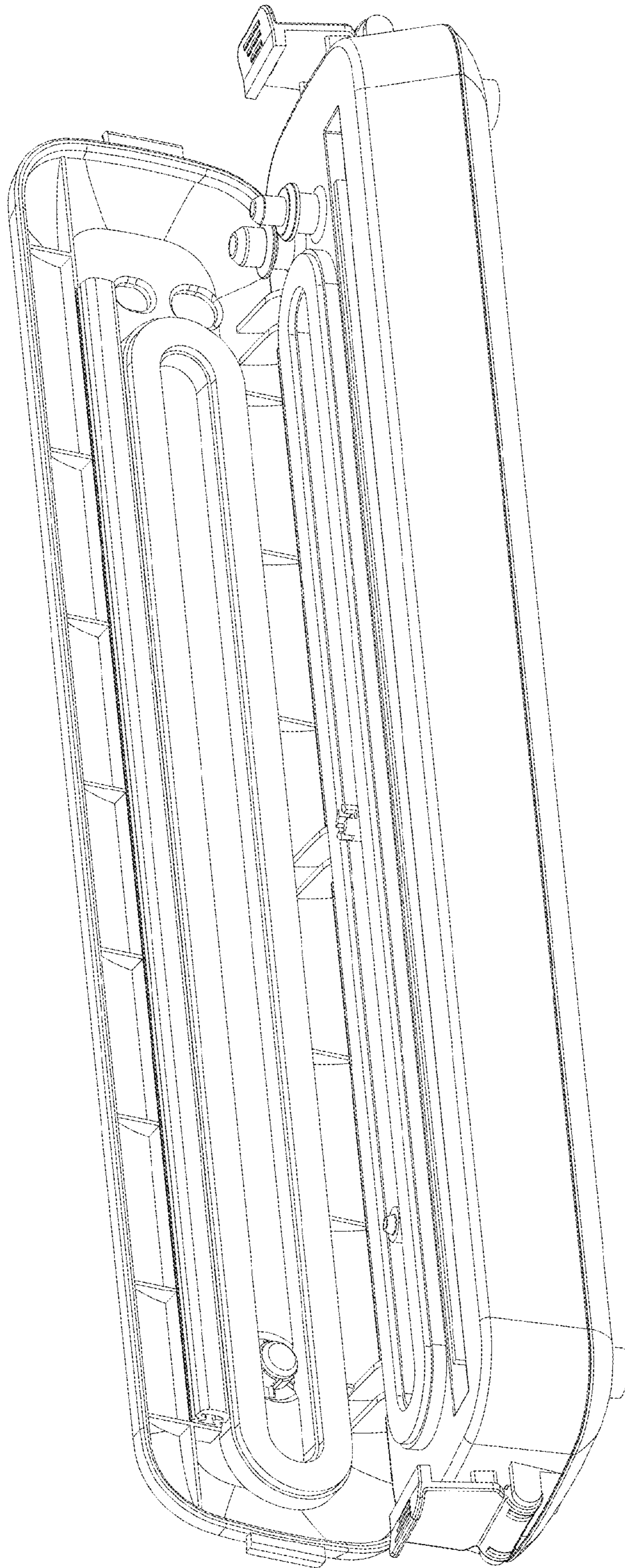


FIG. 10