



US00D921728S

(12) **United States Design Patent** (10) **Patent No.:** **US D921,728 S**
Longo (45) **Date of Patent:** **** *Jun. 8, 2021**

(54) **PACKAGING MACHINE**

(71) Applicant: **BOBST MEX SA**, Mex (CH)

(72) Inventor: **Antonio Longo**, Prilly (CH)

(73) Assignee: **BOBST MEX SA**, Mex (CH)

(*) Notice: This patent is subject to a terminal disclaimer.

(**) Term: **15 Years**

(21) Appl. No.: **29/691,178**

(22) Filed: **May 14, 2019**

(30) **Foreign Application Priority Data**

Nov. 15, 2018 (WO) 9673901

(51) **LOC (13) Cl.** **15-04**

(52) **U.S. Cl.**
USPC **D15/145**

(58) **Field of Classification Search**
USPC D15/122, 145-147, 199; D18/51, 53, 59,
D18/35.1, 99; D23/315; D24/159, 231,
(Continued)

(56) **References Cited**

U.S. PATENT DOCUMENTS

D175,225 S * 7/1955 Lane D20/4
D202,289 S * 9/1965 Greenwald D20/8
(Continued)

OTHER PUBLICATIONS

Bekum, 1-Packaging Machines, (site visited Oct. 5, 2020), Bekum Website, URL:<<https://www.bekum.com/en/blow-moulding-machines/1-packaging-machines/>> (Year: 2020).*
(Continued)

Primary Examiner — Sheryl Lane
Assistant Examiner — Mark T. Philipps
(74) *Attorney, Agent, or Firm* — Bookoff McAndrews, PLLC

(57) **CLAIM**

The ornamental design for a packaging machine, as shown and described.

DESCRIPTION

The patent or application file contains at least one drawing executed in color. Copies of this patent or patent application publication with color drawing(s) will be provided by the Office upon request and payment of the necessary fee.

FIG. 1 is a right perspective view of the packaging machine; FIG. 2 is a front view thereof; FIG. 3 is a back view thereof; FIG. 4 is a top view thereof; FIG. 5 is a bottom view thereof; FIG. 6 is a left side view thereof; and FIG. 7 is a right side view thereof.

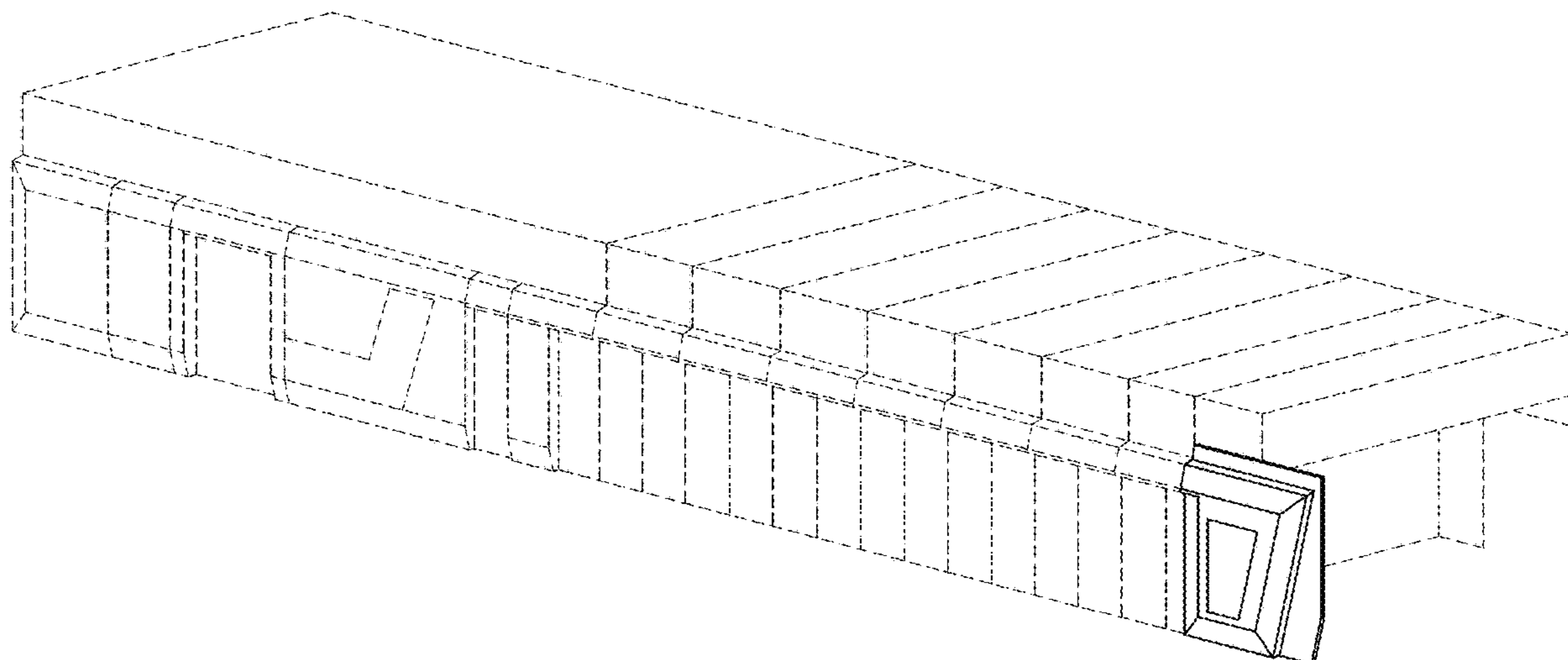
FIG. 8 is a right perspective view of the packaging machine of FIGS. 1-7 with certain features shown in red and grey; and

FIG. 9 is a front view thereof.

FIG. 10 is a right perspective view of the packaging machine of FIGS. 1-7 with certain features shown in red; and, FIG. 11 is a front view thereof.

The broken lines depict environmental structure that form no part of the claimed design. In FIGS. 8-9, the claimed design is shown with, and includes, grey and red coloring. In FIGS. 10-11, the claimed design is shown with, and includes, red coloring.

1 Claim, 6 Drawing Sheets
(2 of 6 Drawing Sheet(s) Filed in Color)



(58) **Field of Classification Search**

USPC D24/234; D25/16, 23, 36; D99/28;
D20/1, 4, 5, 8

CPC B65B 53/06; B65B 59/00; B65B 59/001;
B65B 59/003; B65B 19/00; B65B 1/00;
B65B 65/003

See application file for complete search history.

(56) **References Cited**

U.S. PATENT DOCUMENTS

D241,160 S * 8/1976 Gurian et al. D15/122
D241,652 S * 9/1976 McCauley et al. D99/28
4,316,347 A * 2/1982 Smith A01G 9/16
47/17
D301,890 S * 6/1989 Silbersky D15/145
D304,134 S * 10/1989 Griffiths D6/640
D305,133 S * 12/1989 Gutknecht D21/385
D409,248 S * 5/1999 Ogomori D20/4
D415,184 S * 10/1999 Anai D15/199
D416,283 S * 11/1999 Yamashita D18/53
D421,064 S * 2/2000 Wittern, Jr. D20/8
D455,456 S * 4/2002 Angelbeck D18/57
D459,390 S * 6/2002 Teodorescu D18/53
D477,366 S * 7/2003 Tandberg D20/8
D489,077 S * 4/2004 Bloch D15/122
D600,726 S * 9/2009 Claassen D15/199
D608,822 S * 1/2010 Wilke D18/53
D611,530 S * 3/2010 Bundschuh D18/53
D616,019 S * 5/2010 Kosciolk D18/53
D635,596 S * 4/2011 Hiroshima D15/122
D648,380 S * 11/2011 Clark, III D18/53
D663,596 S * 7/2012 Kosciolk D8/53
D691,903 S * 10/2013 Tong D10/46

D694,320 S * 11/2013 Landa D18/53
D711,948 S * 8/2014 Son D15/199
D716,351 S * 10/2014 Kitamura D15/122
D736,840 S * 8/2015 Kirkland D15/122
D753,734 S * 4/2016 Hanschen D15/122
D753,741 S * 4/2016 Lee D15/145
D757,170 S * 5/2016 Rafa D18/53
D759,133 S * 6/2016 Kitamura D15/122
D759,738 S * 6/2016 Schonherr D15/122
D799,592 S * 10/2017 Longo D18/53
D810,163 S * 2/2018 Longo D15/145
D811,450 S * 2/2018 Hynek D15/130
D843,423 S * 3/2019 Maringer D15/122
D860,271 S * 9/2019 Hou D15/122
D870,203 S * 12/2019 Grossmann D18/53
D873,876 S * 1/2020 Bellante D15/145
D875,826 S * 2/2020 Zanzotti D18/53
D883,385 S * 5/2020 Sandahl Nas D20/1
D886,876 S * 6/2020 Maringer D15/122
D896,310 S * 9/2020 Dickson D20/1
2016/0016684 A1 * 1/2016 Dugat B23K 26/03
53/492
2020/0115085 A1 * 4/2020 Beesley B65B 53/063

OTHER PUBLICATIONS

Bobst, MasterStar product literature, (published Jun. 2020), Bobst S.A., URL:<https://www.bobst.com/fileadmin/user_upload/Services/MASTERSTAR_BROCHURE_EN_2.pdf> (Year: 2020).*

Bobst, MasterStar 106PER product literature, (published Aug. 2019), Bobst S.A., URL:<<https://www.bobst.com/usen/products/die-cutting/flatbed-die-cutters/overview/machine/mastercut-106-per-1/>> (Year: 2019).*

* cited by examiner

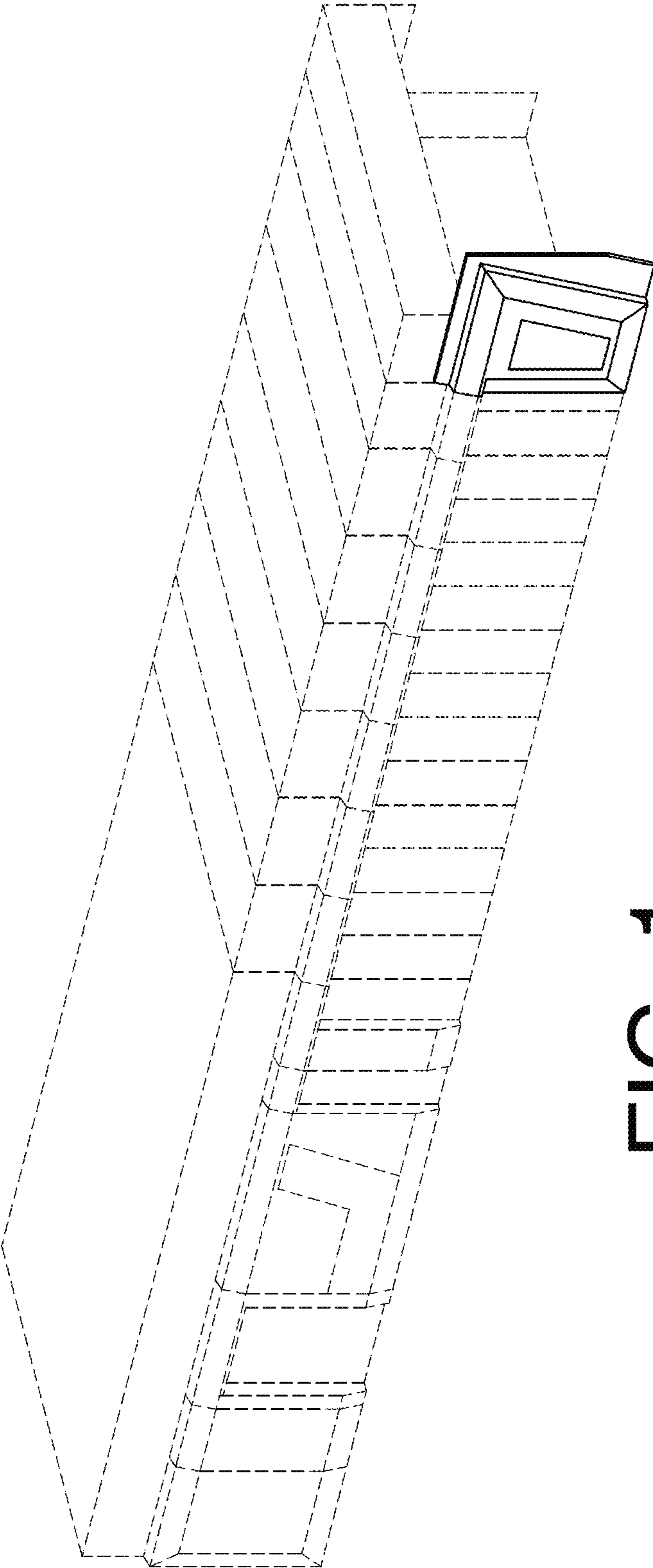


FIG. 1

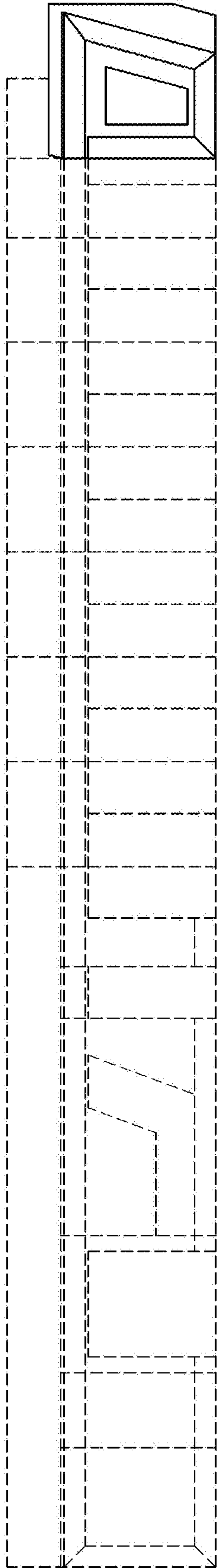


FIG. 2

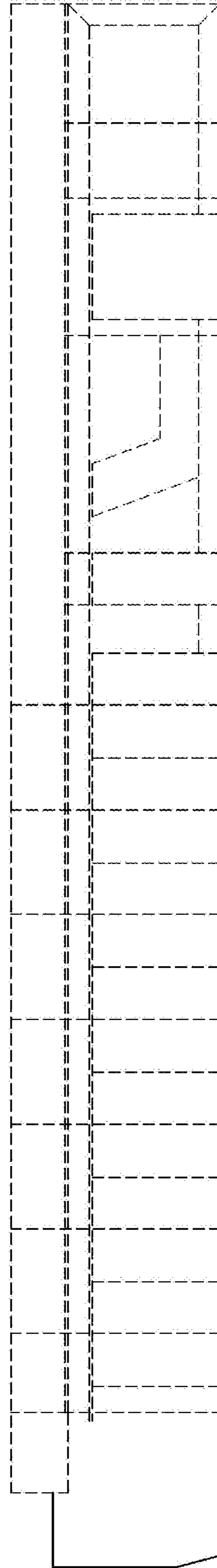


FIG. 3

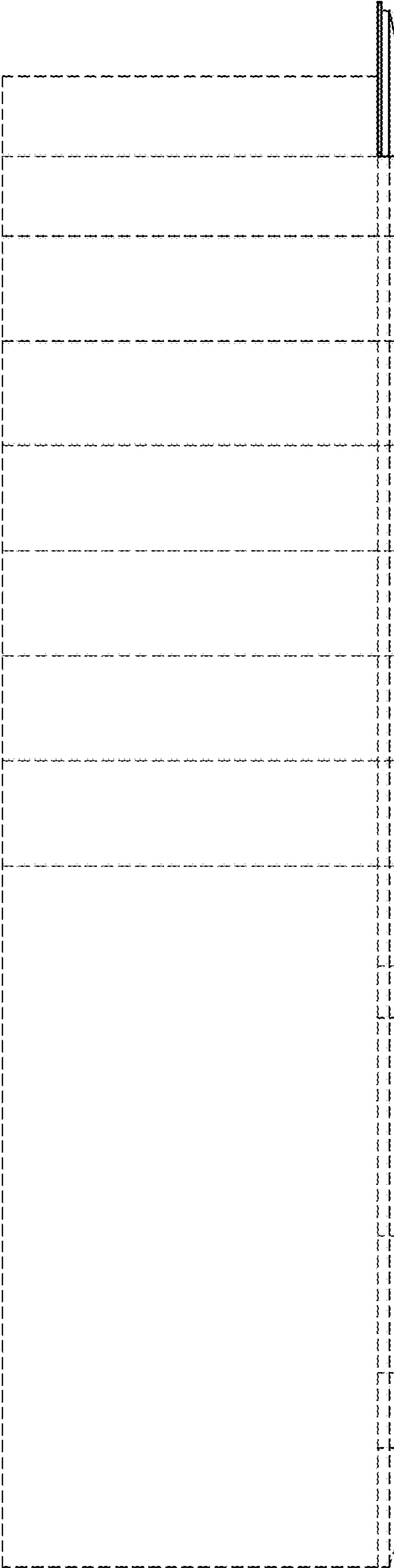


FIG. 4

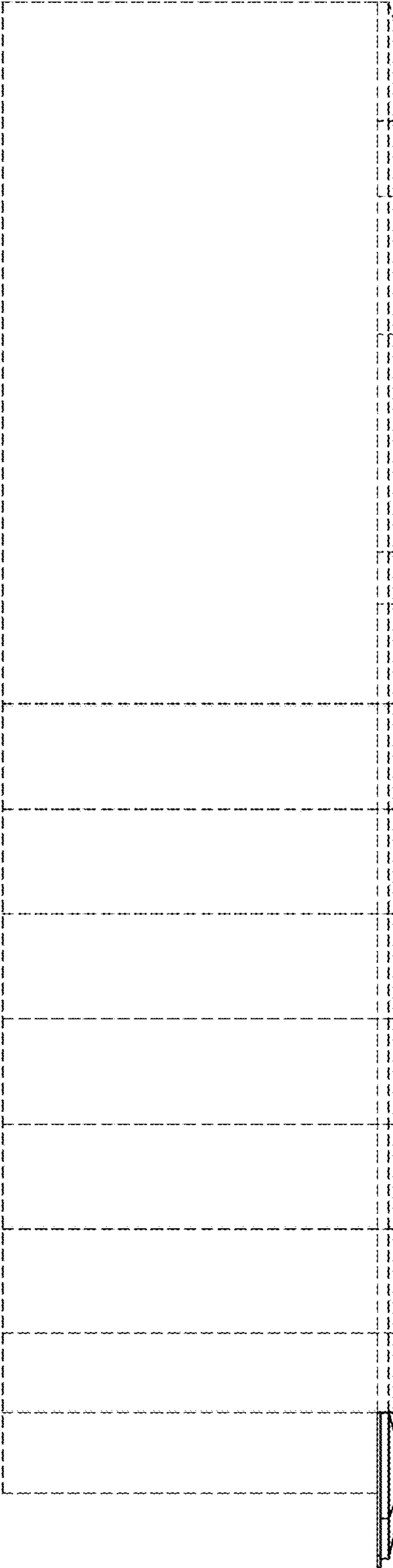


FIG. 5

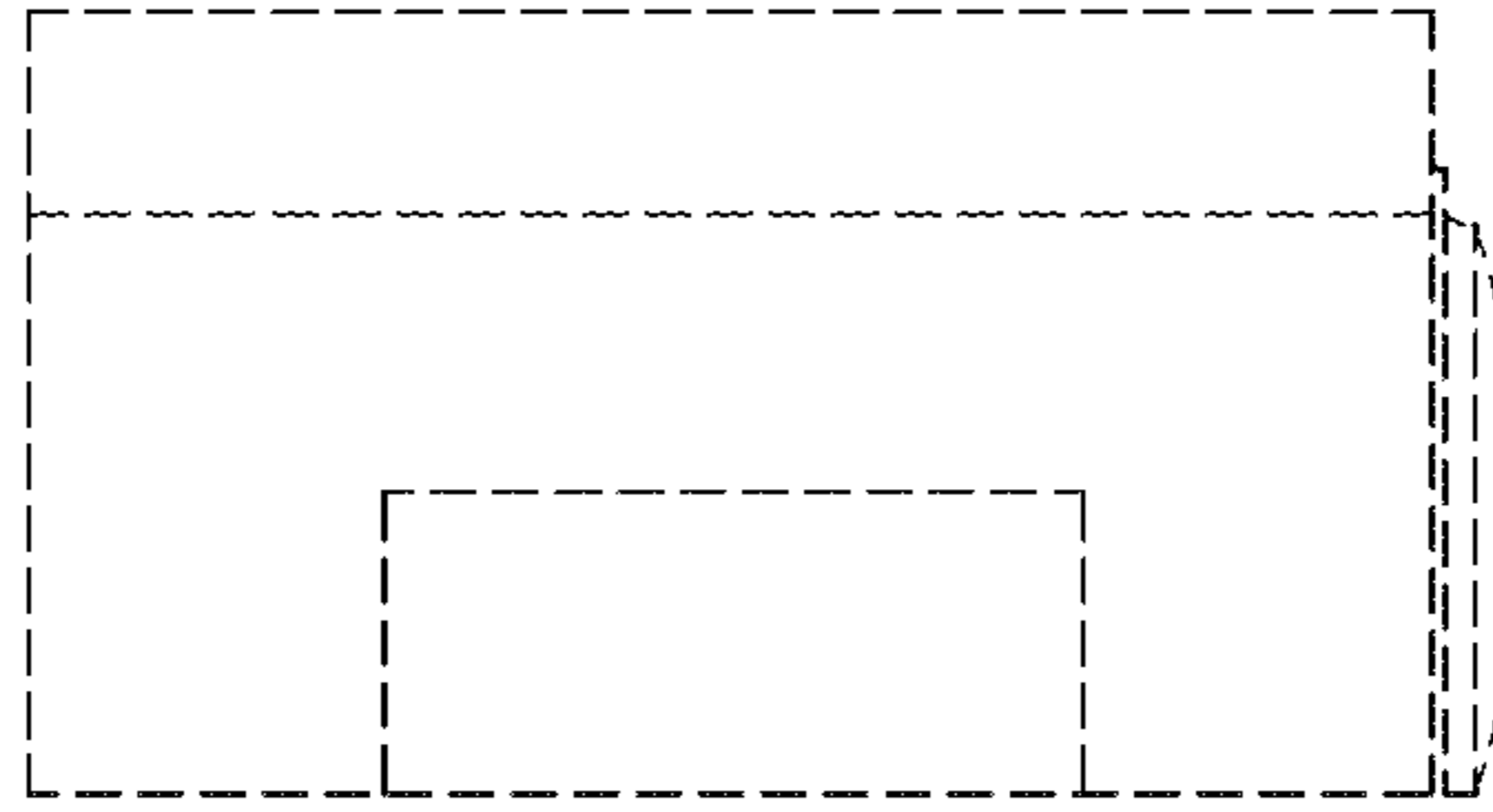


FIG. 6

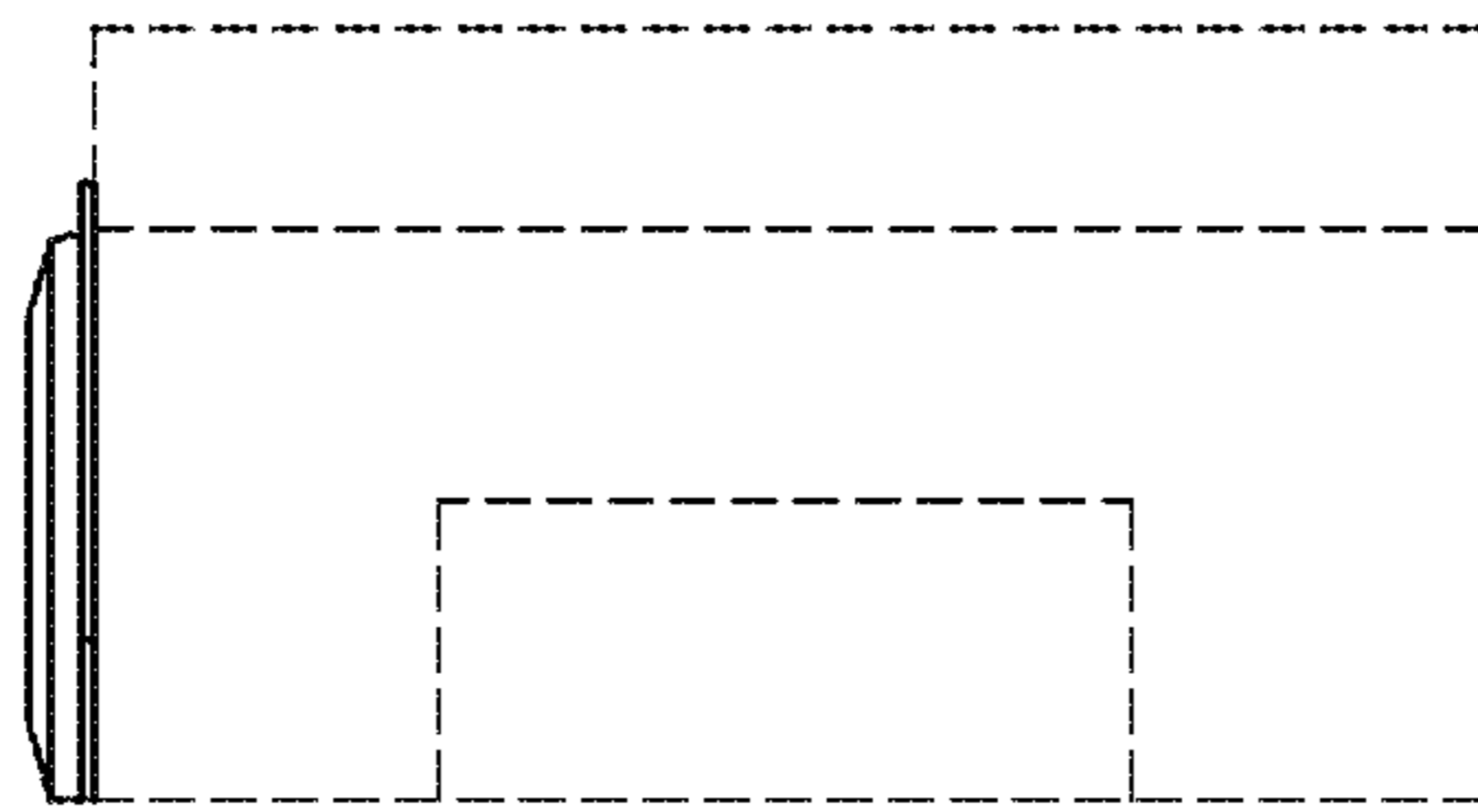


FIG. 7

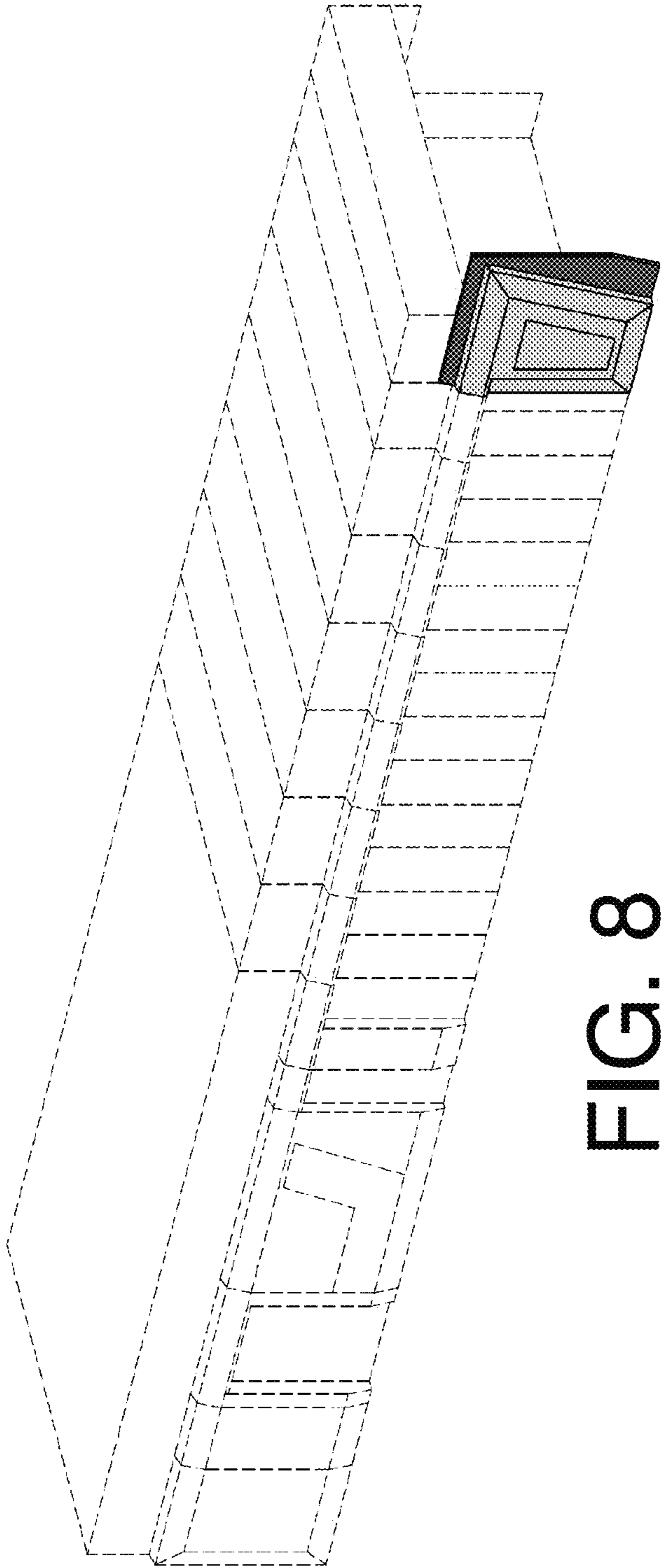


FIG. 8

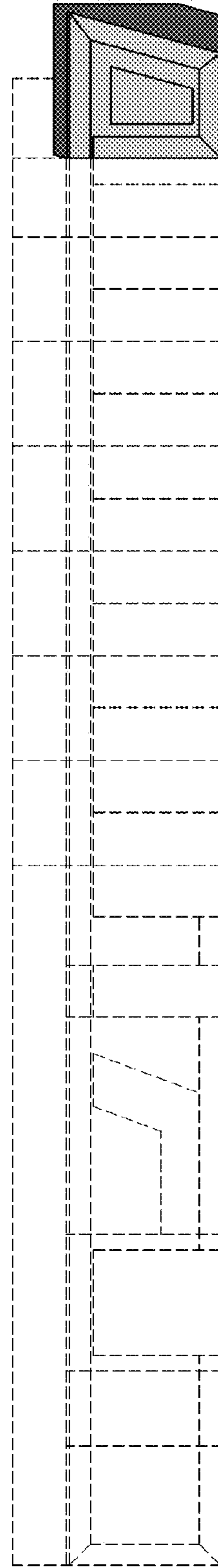


FIG. 9

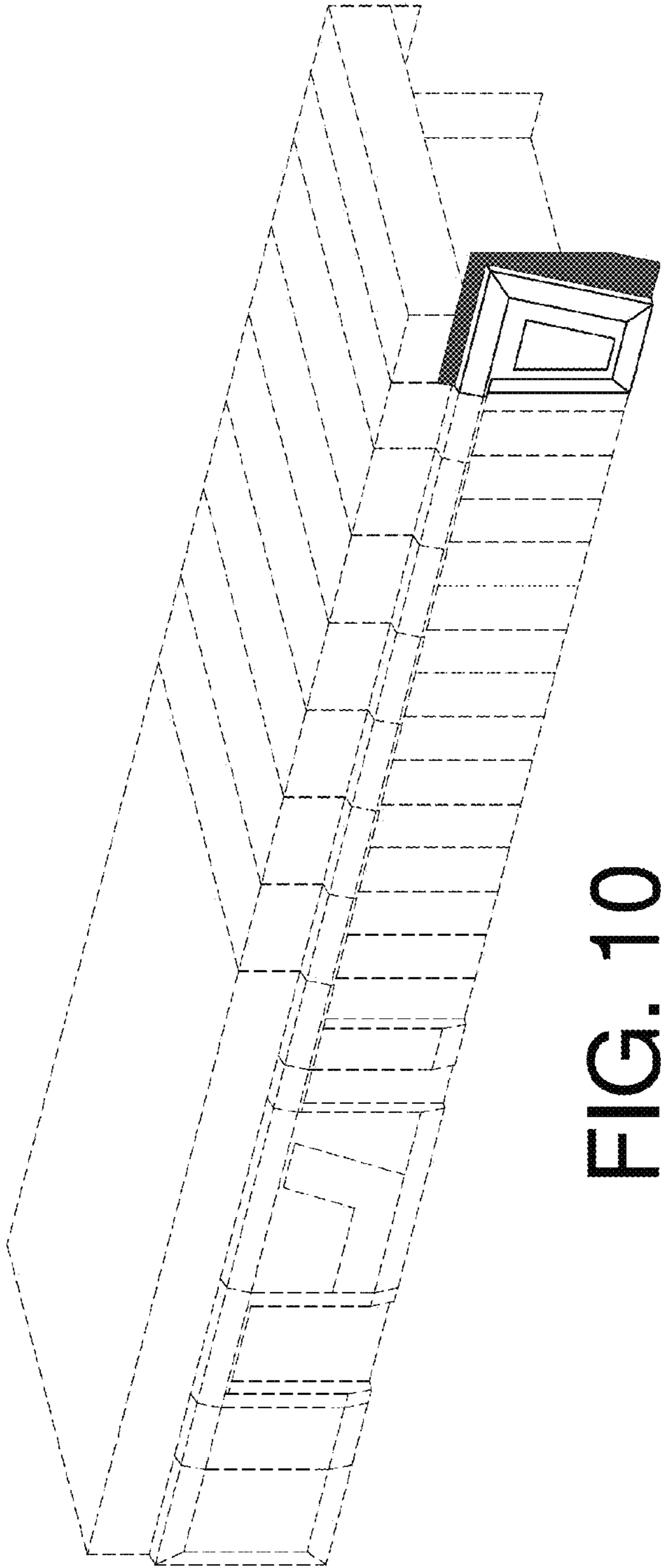


FIG. 10

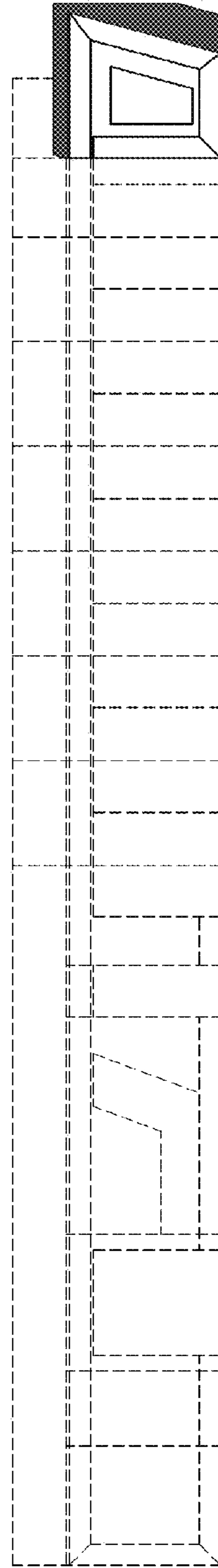


FIG. 11