



US00D921727S

(12) **United States Design Patent**
Longo

(10) **Patent No.:** **US D921,727 S**
(45) **Date of Patent:** **** *Jun. 8, 2021**

(54) **PACKAGING MACHINE**

- (71) Applicant: **BOBST MEX SA**, Mex (CH)
- (72) Inventor: **Antonio Longo**, Prilly (CH)
- (73) Assignee: **BOBST MEX SA**, Mex (CH)
- (*) Notice: This patent is subject to a terminal disclaimer.
- (**) Term: **15 Years**
- (21) Appl. No.: **29/691,176**
- (22) Filed: **May 14, 2019**

(30) **Foreign Application Priority Data**

Nov. 15, 2018 (WO) 9673701

(51) **LOC (13) Cl.** **15-04**

(52) **U.S. Cl.**
USPC **D15/145**

(58) **Field of Classification Search**

USPC D15/122, 145-147, 199; D18/51, 53, 59,
D18/35.1, 99; D23/315; D24/159, 231,
D24/234; D25/16, 23, 36; D99/28;
D20/1, 4, 5, 8

CPC B65B 53/06; B65B 59/00; B65B 59/001;
B65B 59/003; B65B 19/00; B65B 1/00;
B65B 65/003

See application file for complete search history.

(56) **References Cited**

U.S. PATENT DOCUMENTS

- D175,225 S * 7/1955 Lane D20/4
- D202,289 S * 9/1965 Greenwald D20/8
- D241,160 S * 8/1976 Gurian et al. D15/122

(Continued)

OTHER PUBLICATIONS

Bekum, 1-Packaging Machines, (site visited Oct. 5, 2020), Bekum Website, URL:<<https://www.bekum.com/en/blow-moulding-machines/1-packaging-machines/>> (Year: 2020).*

(Continued)

Primary Examiner — Sheryl Lane

Assistant Examiner — Mark T. Philipps

(74) *Attorney, Agent, or Firm* — Bookoff McAndrews, PLLC

(57) **CLAIM**

The ornamental design for a packaging machine, as shown and described.

DESCRIPTION

The patent or application file contains at least one drawing executed in color. Copies of this patent or patent application publication with color drawing(s) will be provided by the Office upon request and payment of the necessary fee.

FIG. 1 is a right perspective view of the packaging machine; FIG. 2 is a left perspective view thereof;

FIG. 3 is a front view thereof;

FIG. 4 is a back view thereof;

FIG. 5 is a top view thereof;

FIG. 6 is a bottom view thereof;

FIG. 7 is a left side view thereof; and

FIG. 8 is a right side view thereof.

FIG. 9 is a right perspective view of the packaging machine of FIGS. 1-8 with certain features shown in red and grey; and

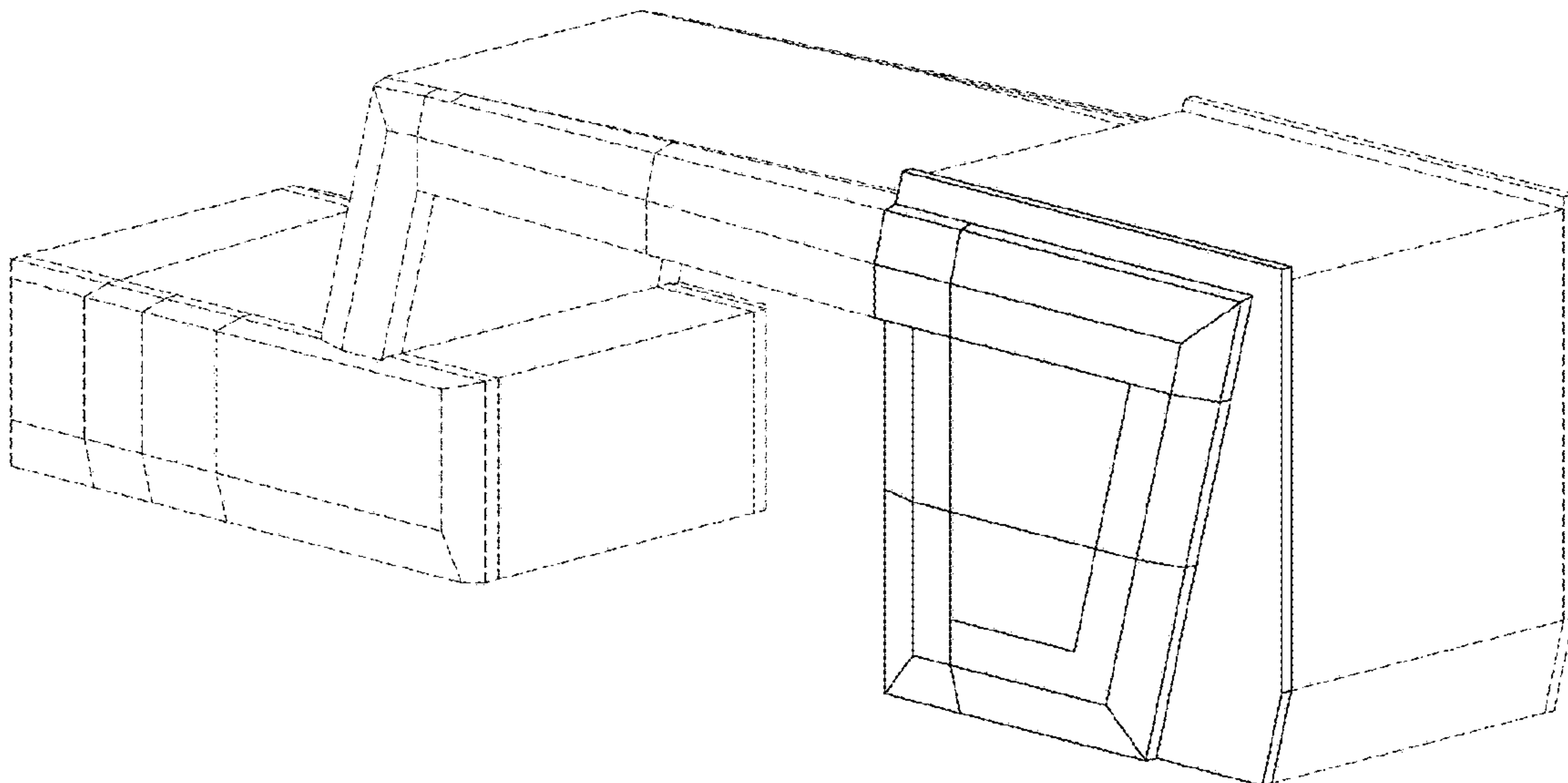
FIG. 10 is a front view thereof.

FIG. 11 is a right perspective view of the packaging machine of FIGS. 1-8 with certain features shown in red; and,

FIG. 12 is a front view thereof.

The broken lines depict environmental structure that form no part of the claimed design.

1 Claim, 9 Drawing Sheets
(4 of 9 Drawing Sheet(s) Filed in Color)



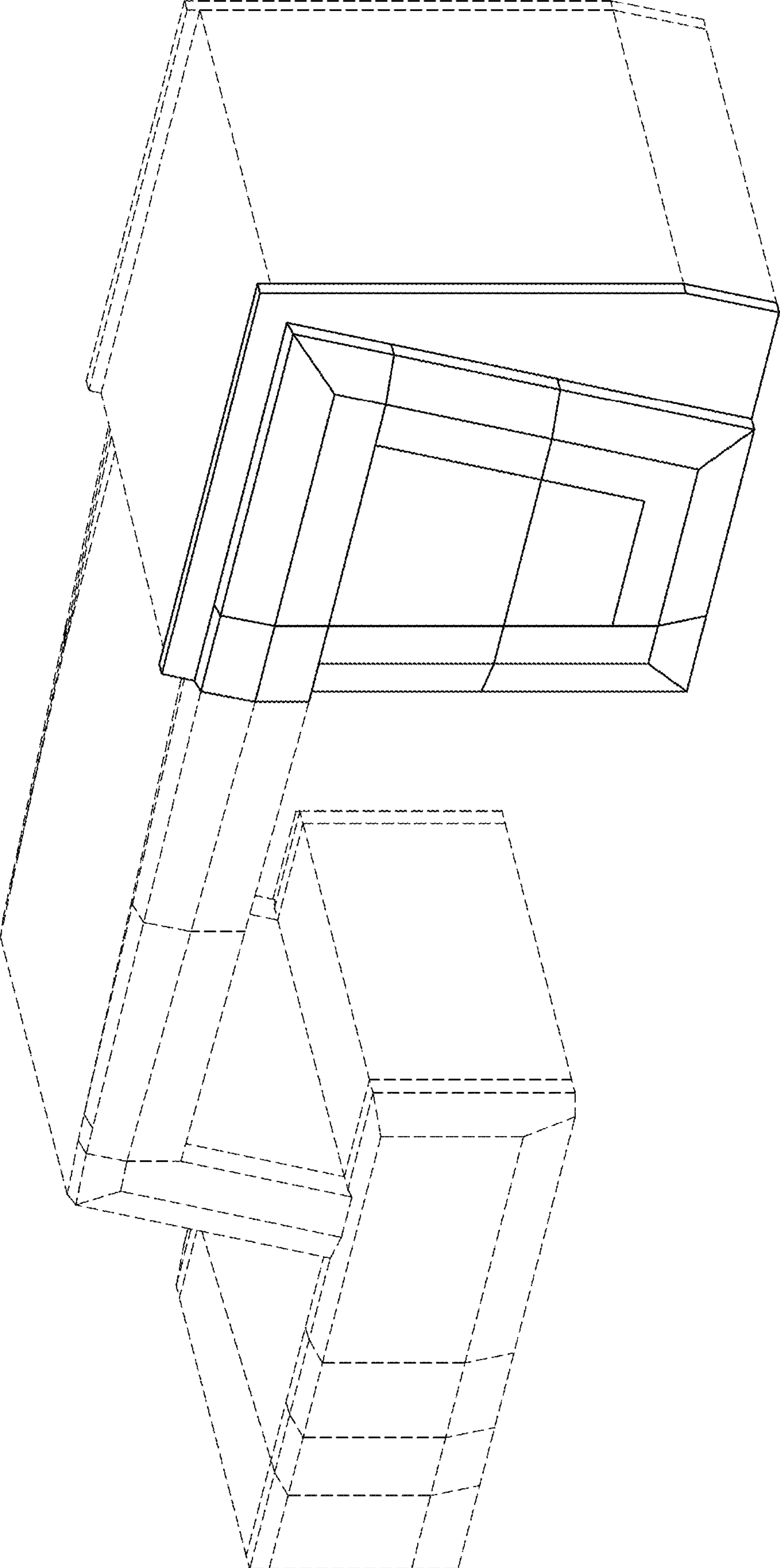


FIG. 1

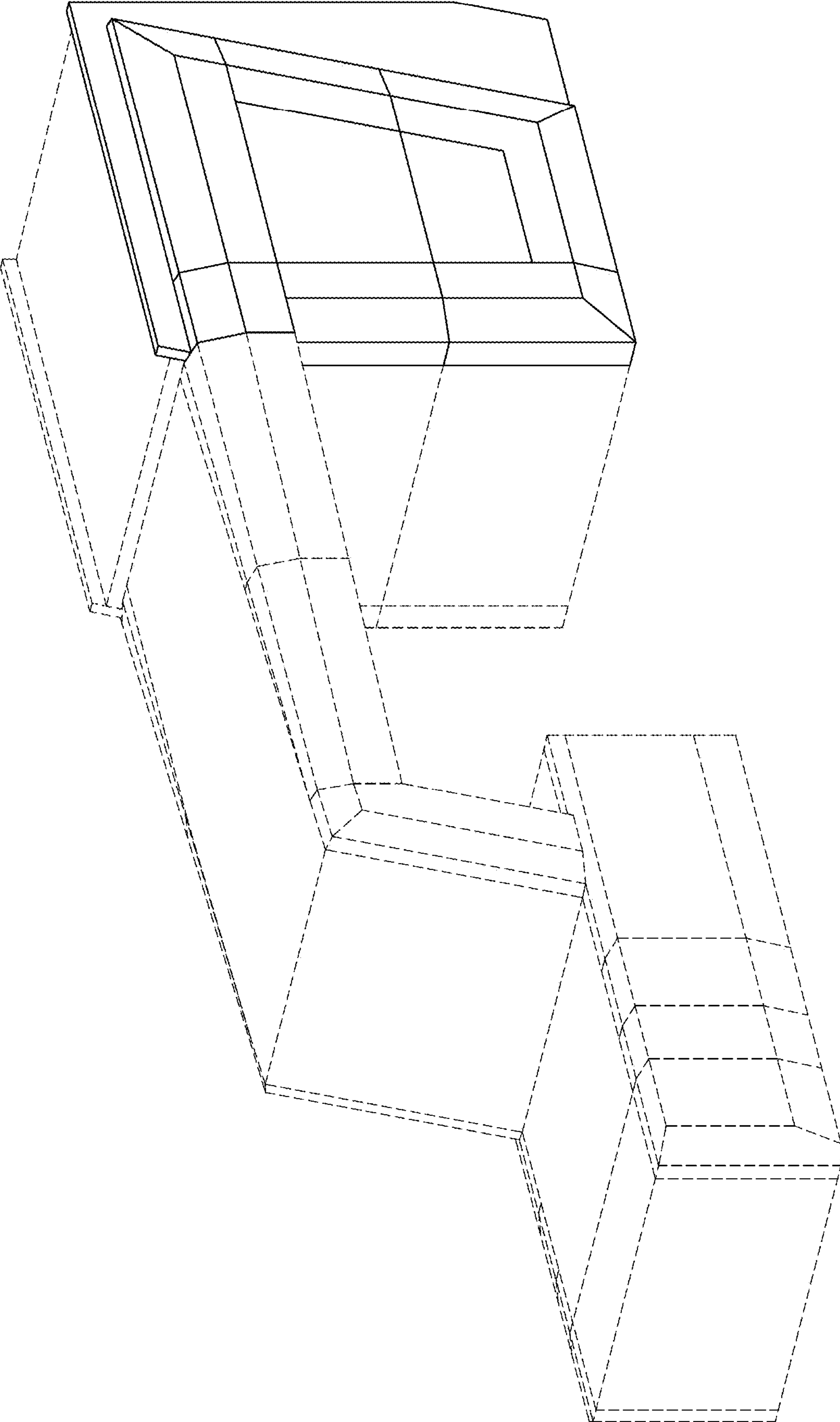


FIG. 2

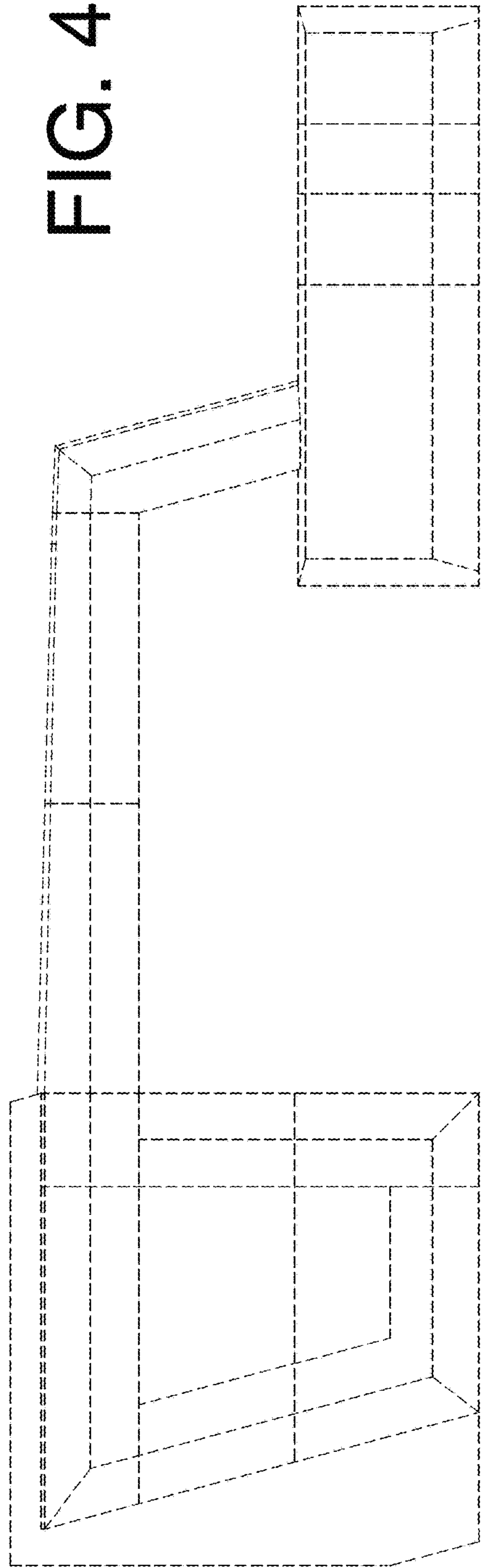
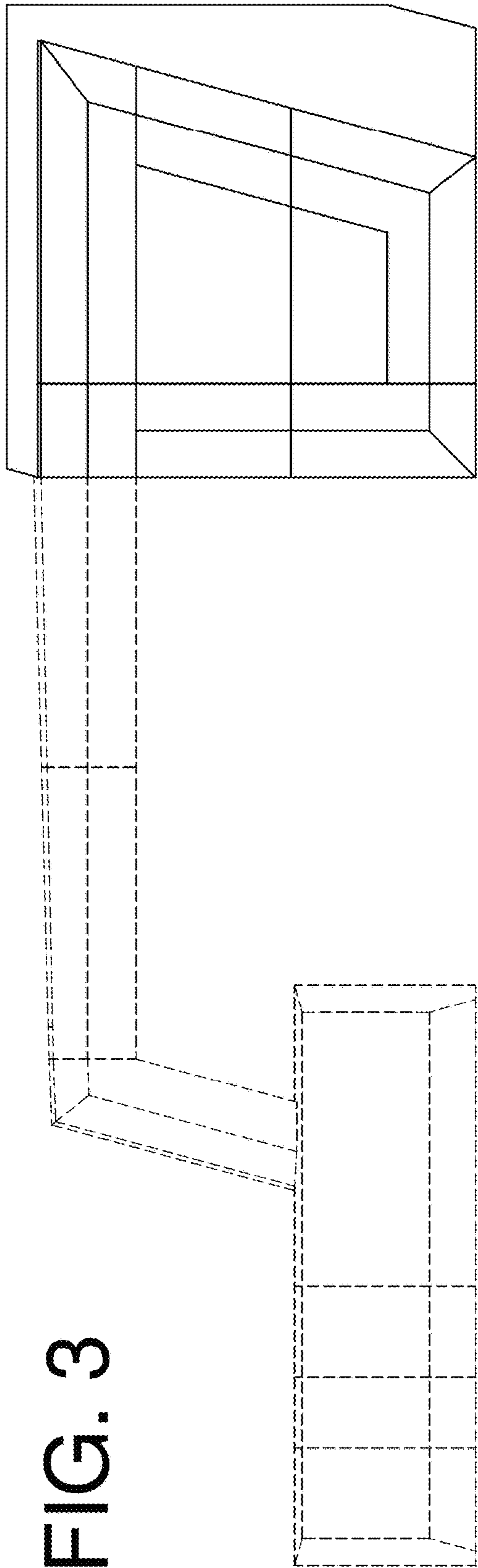


FIG. 4

FIG. 3

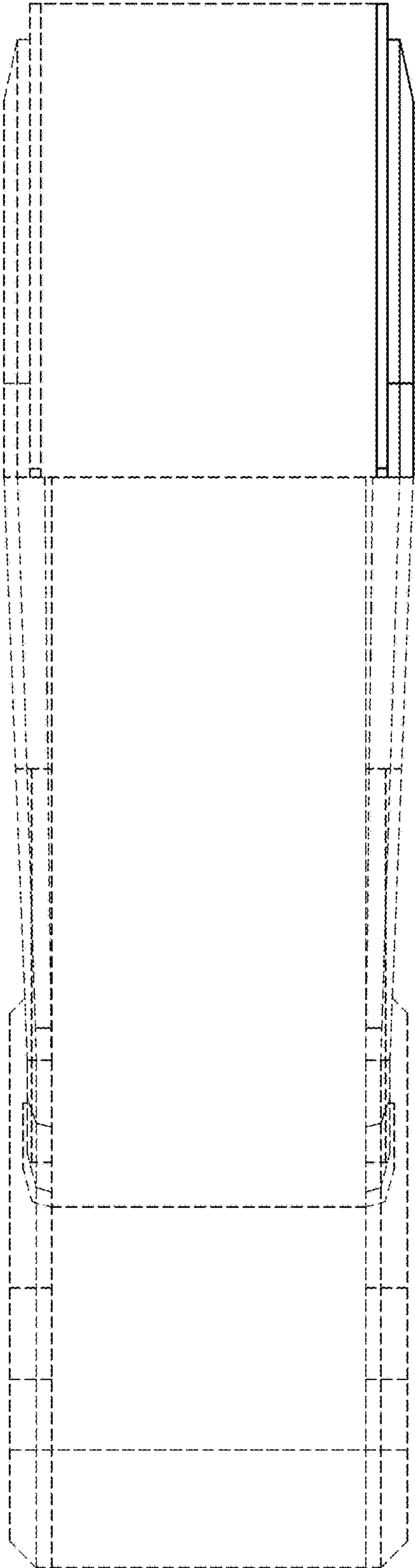


FIG. 5

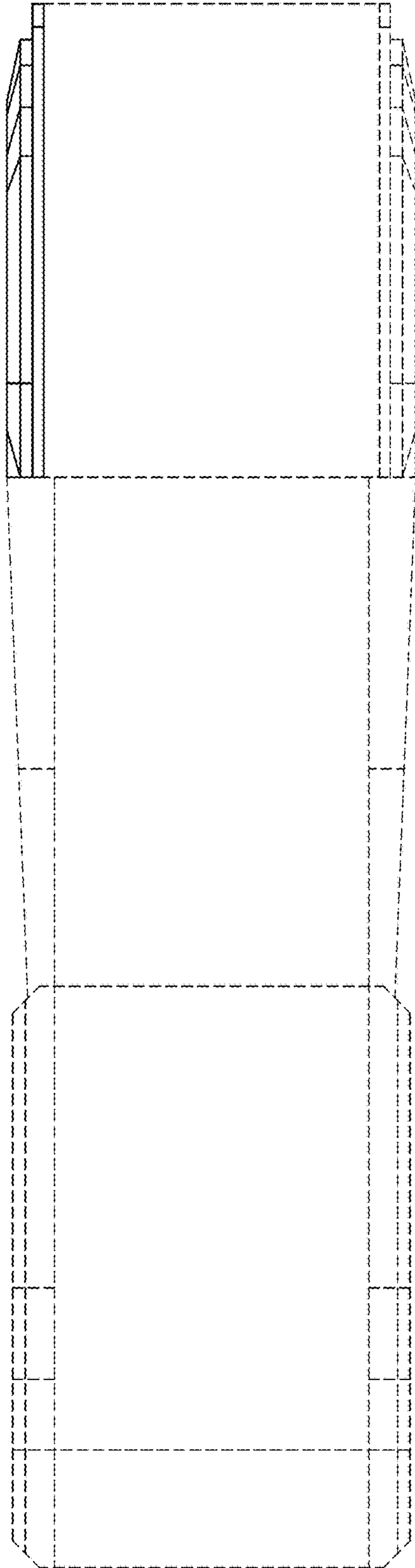


FIG. 6

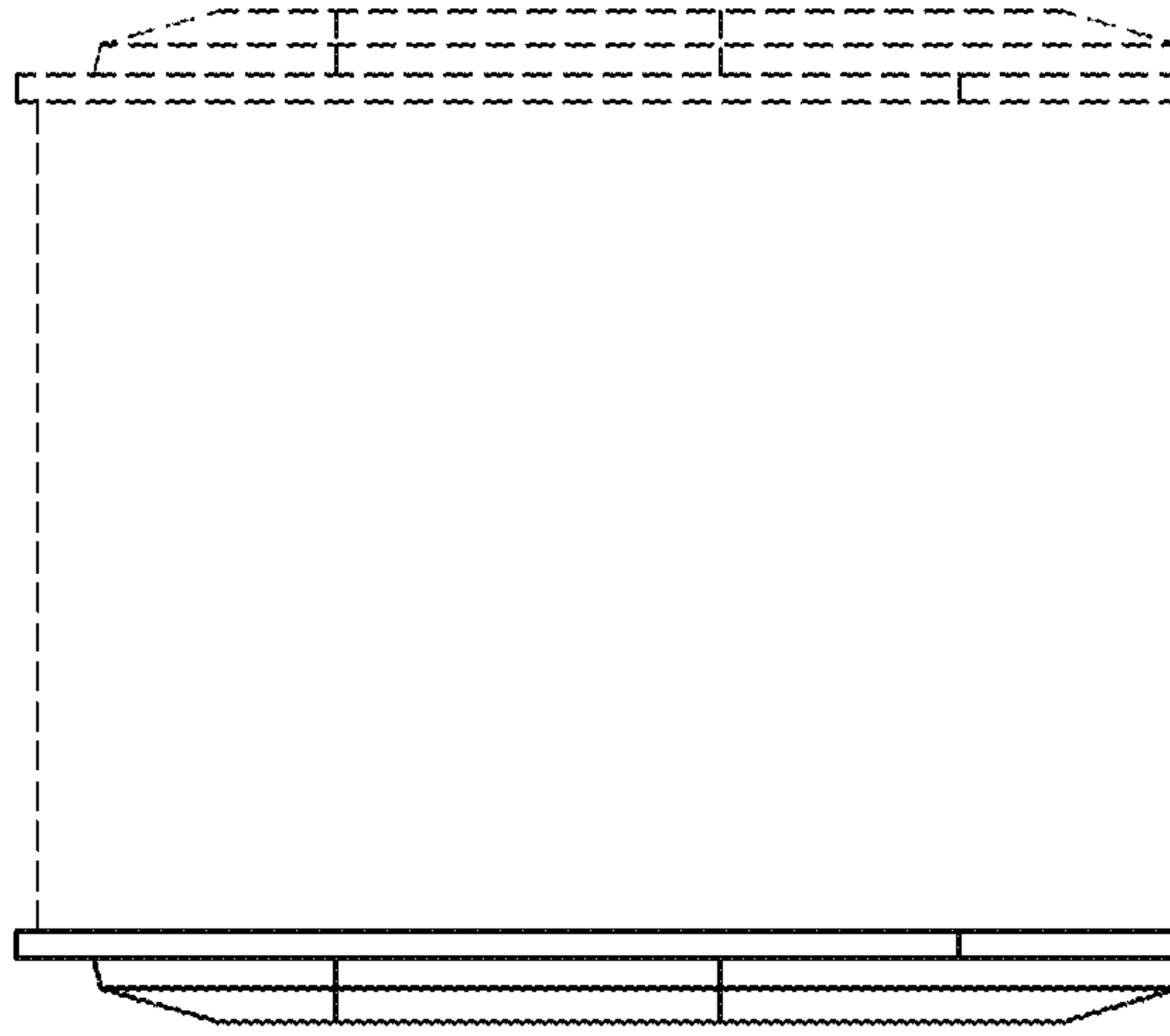


FIG. 8

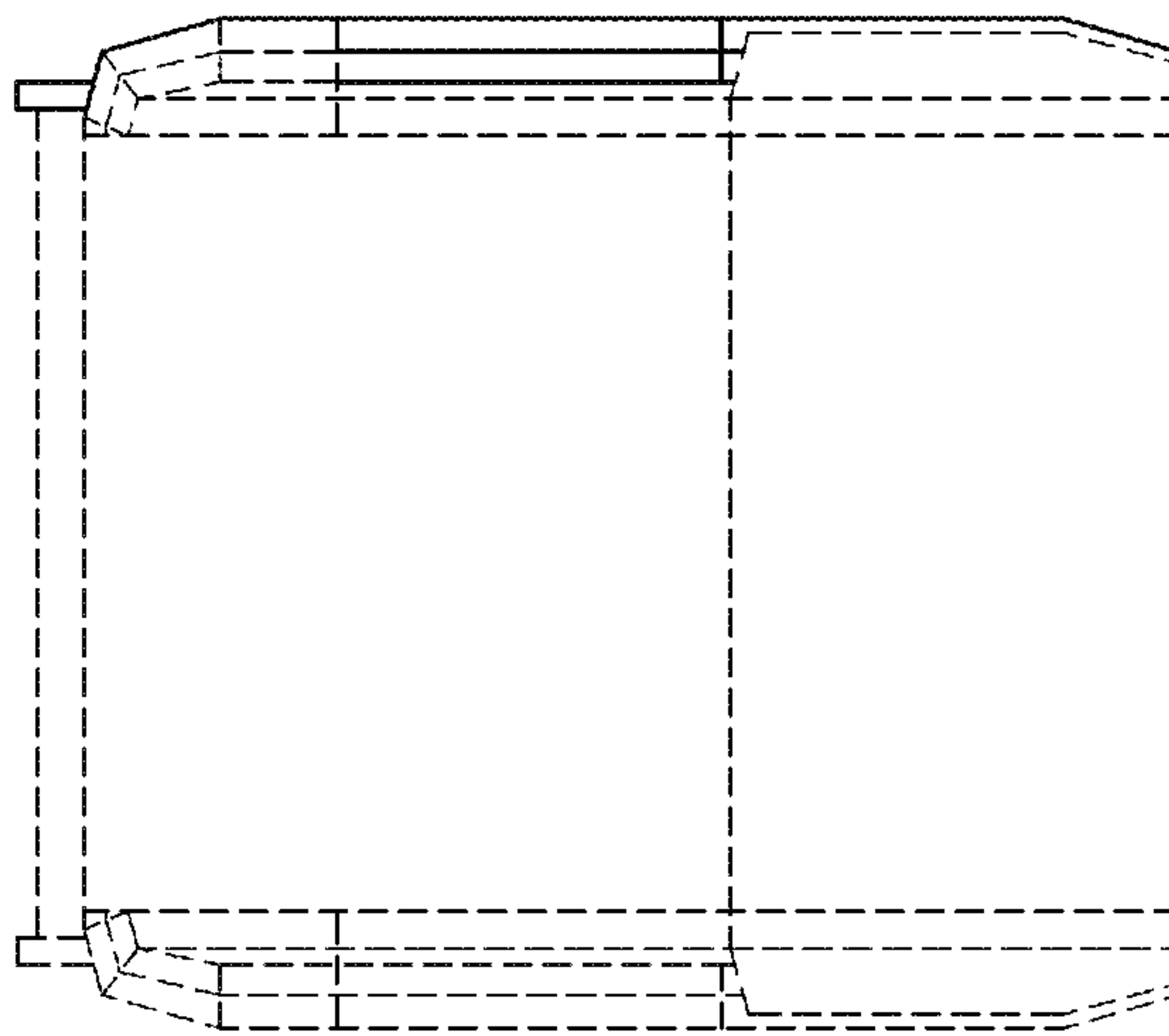


FIG. 7

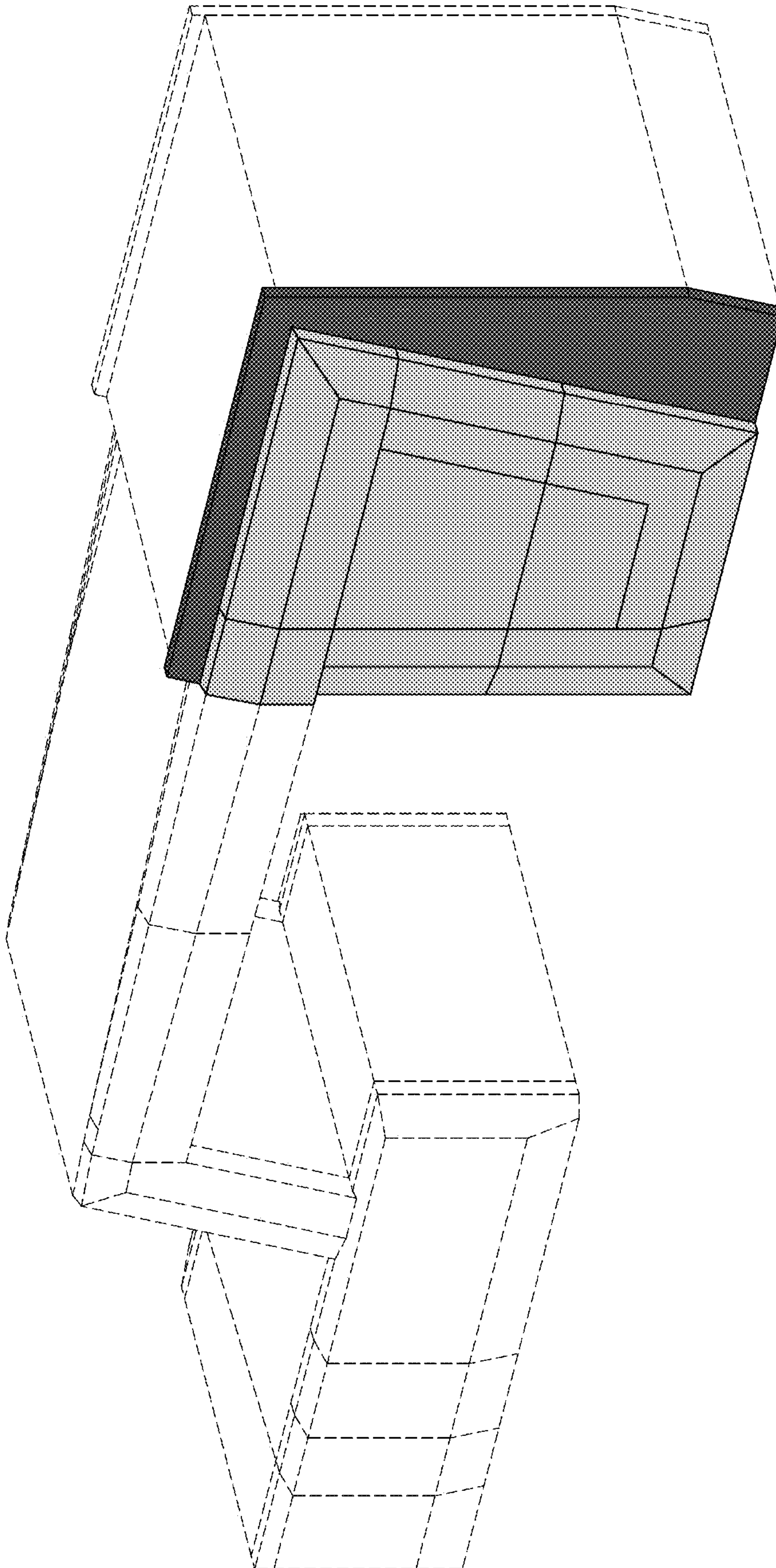


FIG. 9

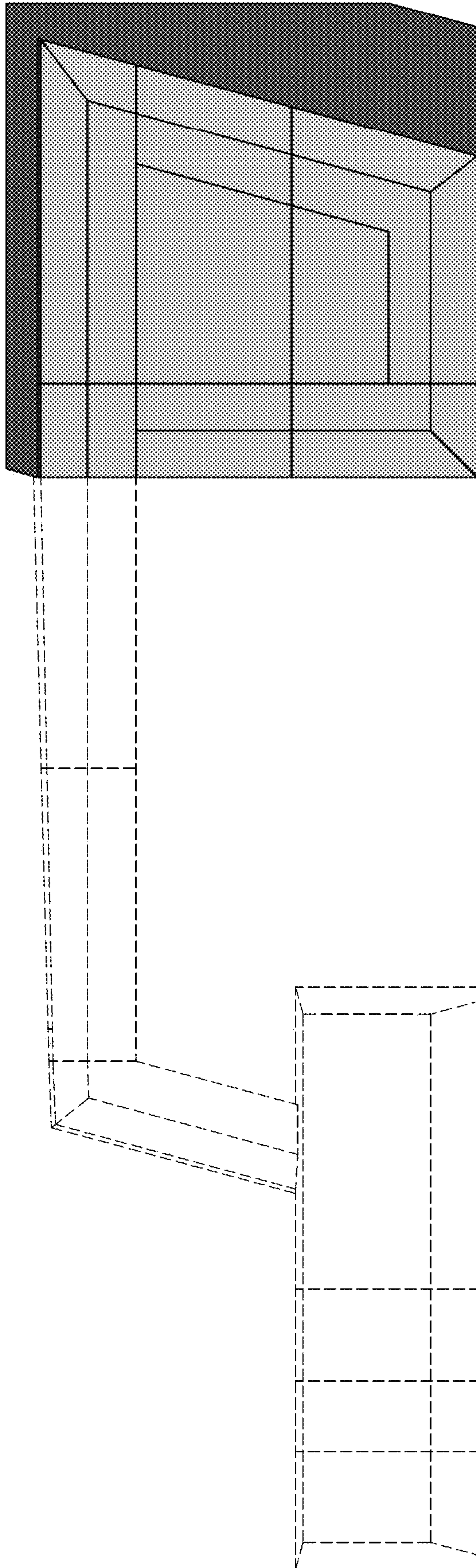


FIG. 10

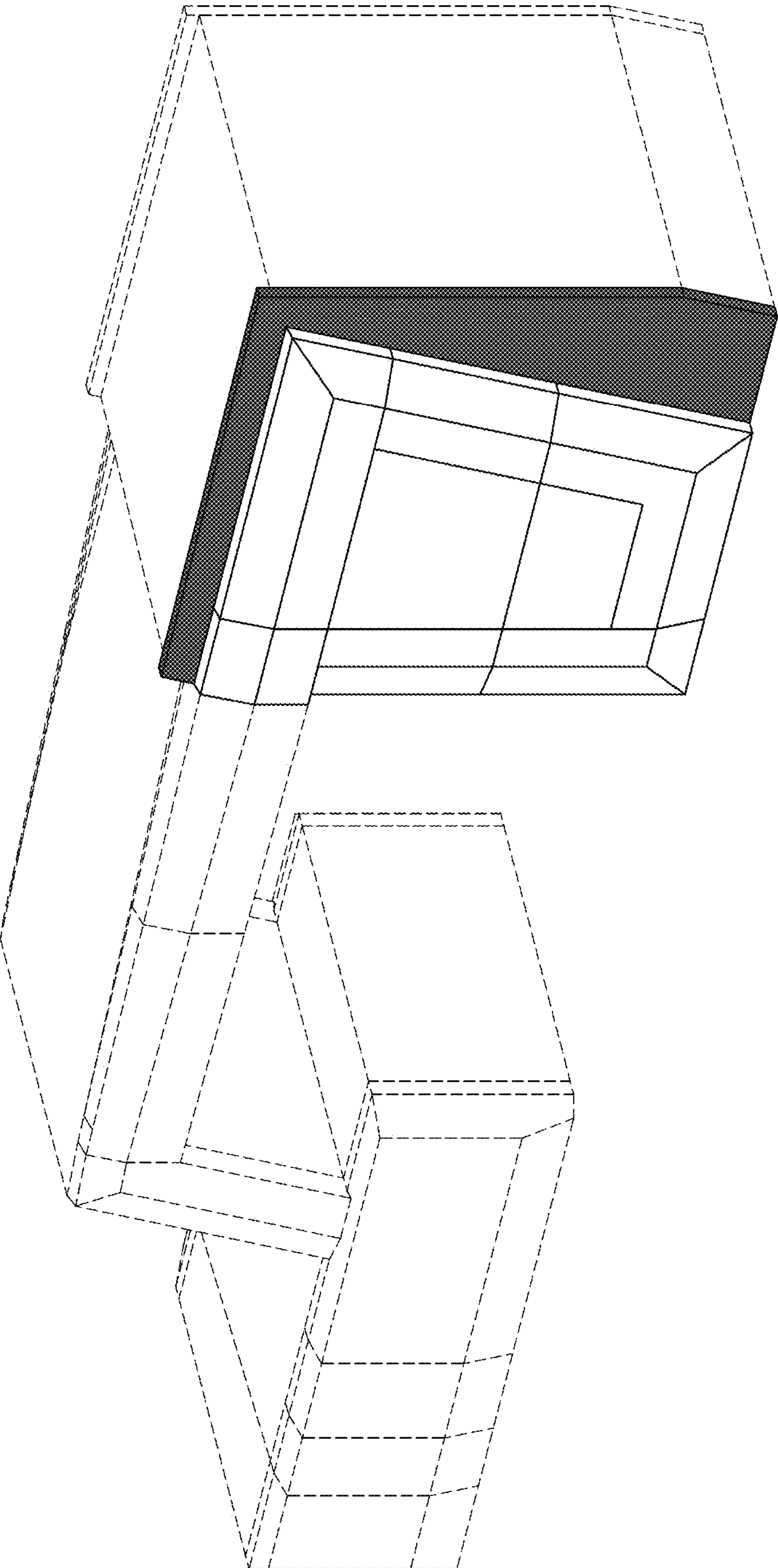


FIG. 11

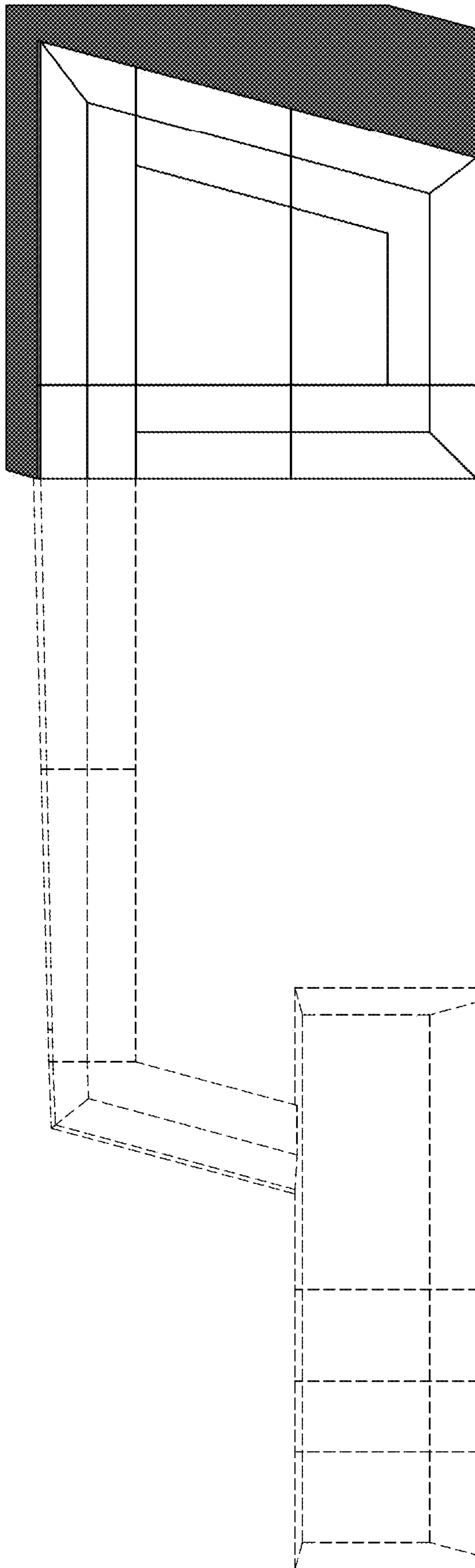


FIG. 12