



US00D921724S

(12) **United States Design Patent**
Longo

(10) **Patent No.:** **US D921,724 S**

(45) **Date of Patent:** **** *Jun. 8, 2021**

(54) **PACKAGING MACHINE**

(71) Applicant: **BOBST MEX SA**, Mex (CH)

(72) Inventor: **Antonio Longo**, Prilly (CH)

(73) Assignee: **BOBST MEX SA**, Mex (CH)

(*) Notice: This patent is subject to a terminal disclaimer.

(**) Term: **15 Years**

(21) Appl. No.: **29/691,169**

(22) Filed: **May 14, 2019**

(30) **Foreign Application Priority Data**

Nov. 15, 2018 (WO) 9678101

(51) **LOC (13) Cl.** **15-04**

(52) **U.S. Cl.**

USPC **D15/145**

(58) **Field of Classification Search**

USPC D15/122, 145-147, 199; D18/51, 53, 59,
D18/35.1, 99; D23/315; D24/159, 231,
D24/234; D25/16, 23, 36; D99/28;
D20/1, 4, 5, 8

CPC B65B 53/06; B65B 59/00; B65B 59/001;
B65B 59/003; B65B 19/00; B65B 1/00;
B65B 65/003

See application file for complete search history.

(56) **References Cited**

U.S. PATENT DOCUMENTS

- D175,225 S * 7/1955 Lane D20/4
- D202,289 S * 9/1965 Greenwald D20/8
- D241,160 S * 8/1976 Gurian et al. D15/122
- D241,652 S * 9/1976 McCauley D99/28
- 4,316,347 A * 2/1982 Smith A01G 9/16
47/17
- D301,890 S * 6/1989 Silbersky D15/145

(Continued)

OTHER PUBLICATIONS

Bekum, 1-Packaging Machines, (site visited Oct. 5, 2020), Bekum Website, URL:<<https://www.bekum.com/en/blow-moulding-machines/1-packaging-machines/>> (Year: 2020).*

(Continued)

Primary Examiner — Sheryl Lane

Assistant Examiner — Mark T. Philipps

(74) *Attorney, Agent, or Firm* — Bookoff McAndrews, PLLC

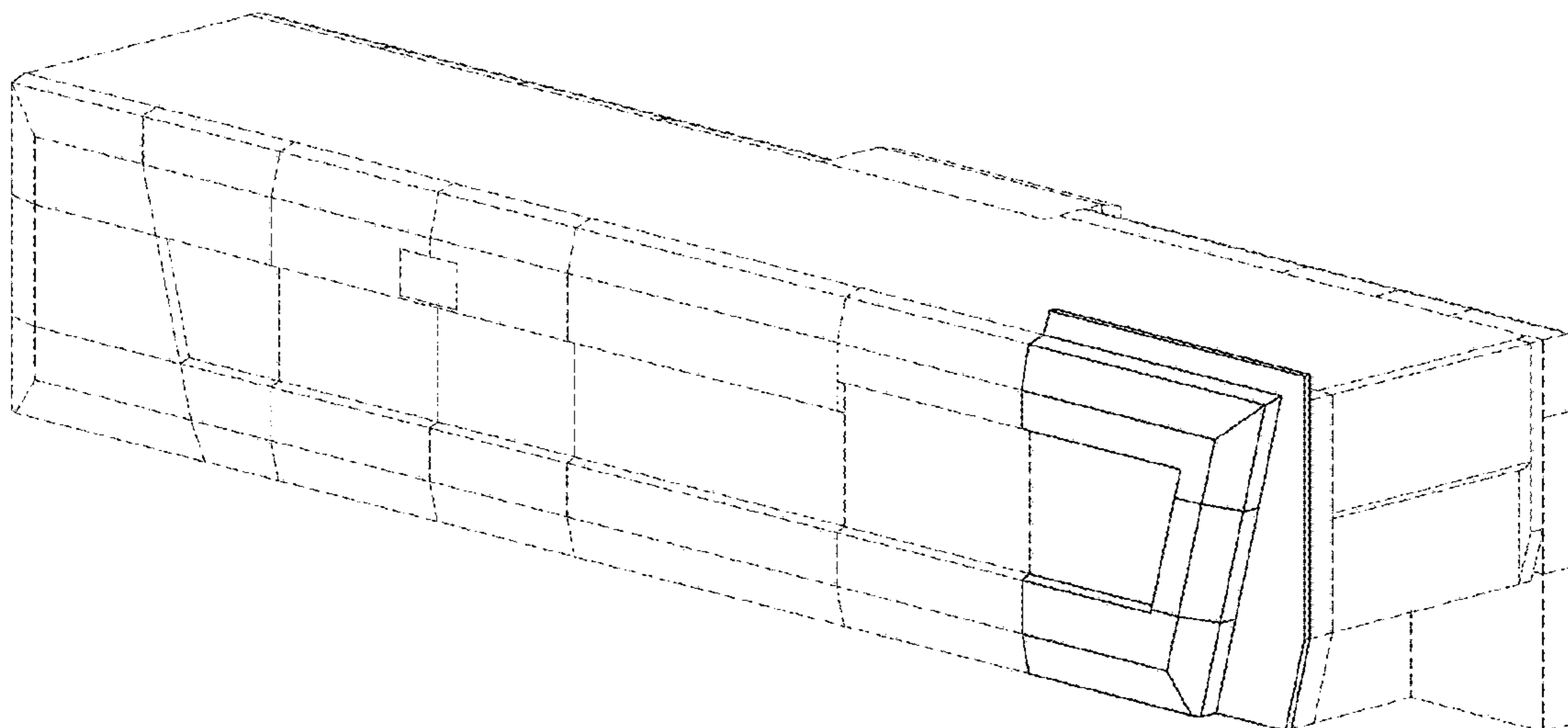
(57) **CLAIM**

The ornamental design for a packaging machine, as shown and described.

DESCRIPTION

FIG. 1 is a right perspective view of the packaging machine; FIG. 2 is a front view thereof; FIG. 3 is a back view thereof; FIG. 4 is a top view thereof; FIG. 5 is a bottom view thereof; FIG. 6 is a left side view thereof; and FIG. 7 is a right side view thereof. FIG. 8 is a right perspective view of the packaging machine of FIGS. 1-7 with certain features shown in red and grey; FIG. 9 is a front view thereof; FIG. 10 is a top view thereof; and FIG. 11 is a right side view thereof. FIG. 12 is a right perspective view of the packaging machine of FIGS. 1-7 with certain features shown in red; FIG. 13 is a front view thereof; FIG. 14 is a top view thereof; and, FIG. 15 is a right side view thereof. The broken lines depict environmental structure that form no part of the claimed design.

1 Claim, 10 Drawing Sheets



(56)

References Cited

U.S. PATENT DOCUMENTS

D304,134 S * 10/1989 Griffiths D6/640
 D305,133 S * 12/1989 Gutknecht D21/385
 D409,248 S * 5/1999 Ogomori D20/4
 D415,184 S * 10/1999 Anai D15/199
 D416,283 S * 11/1999 Yamashita D18/53
 D421,064 S * 2/2000 Wittern, Jr. D20/8
 D455,456 S * 4/2002 Angelbeck D18/57
 D459,390 S * 6/2002 Teodorescu D18/53
 D477,366 S * 7/2003 Tandberg D20/8
 D489,077 S * 4/2004 Bloch D15/122
 D600,726 S * 9/2009 Claassen D15/199
 D608,822 S * 1/2010 Wilke D18/53
 D611,530 S * 3/2010 Bundschuh D18/53
 D616,019 S * 5/2010 Kosciolk D18/53
 D635,596 S * 4/2011 Hiroshima D15/122
 D648,380 S * 11/2011 Clark, III D18/53
 D663,596 S * 7/2012 Kosciolk D8/53
 D691,903 S * 10/2013 Tong D10/46
 D694,320 S * 11/2013 Landa D18/53
 D711,948 S * 8/2014 Son D15/199
 D716,351 S * 10/2014 Kitamura D15/122
 D736,840 S * 8/2015 Kirkland D15/122
 D753,734 S * 4/2016 Hanschen D15/122
 D753,741 S * 4/2016 Lee D15/145
 D757,170 S * 5/2016 Rafa D18/53

D759,133 S * 6/2016 Kitamura D15/122
 D759,738 S * 6/2016 Schonherr D15/122
 D799,592 S * 10/2017 Longo D18/53
 D810,163 S * 2/2018 Longo D15/145
 D811,450 S * 2/2018 Hynek D15/130
 D843,423 S * 3/2019 Maringer D15/122
 D860,271 S * 9/2019 Hou D15/122
 D870,203 S * 12/2019 Grossmann D18/53
 D873,876 S * 1/2020 Bellante D15/145
 D875,826 S * 2/2020 Zanzotti D18/53
 D883,385 S * 5/2020 Sandahl Nas D20/1
 D886,876 S * 6/2020 Maringer D15/122
 D896,310 S * 9/2020 Dickson D20/1
 2016/0016684 A1 * 1/2016 Dugat B23K 26/03
 53/492
 2020/0115085 A1 * 4/2020 Beesley B65B 53/063

OTHER PUBLICATIONS

BOBST, MasterStar product literature, (published Jun. 2020), BOBST S.A., URL:<https://www.bobst.com/fileadmin/user_upload/Services/MASTERSTAR_BROCHURE_EN_2.pdf> (Year: 2020).*
 BOBST, MasterStar 106PER product literature, (published Aug. 2019), BOBST S.A., URL:<<https://www.bobst.com/usen/products/die-cutting/flatbed-die-cutters/overview/machine/mastercut-106-per-1/>> (Year: 2019).*

* cited by examiner

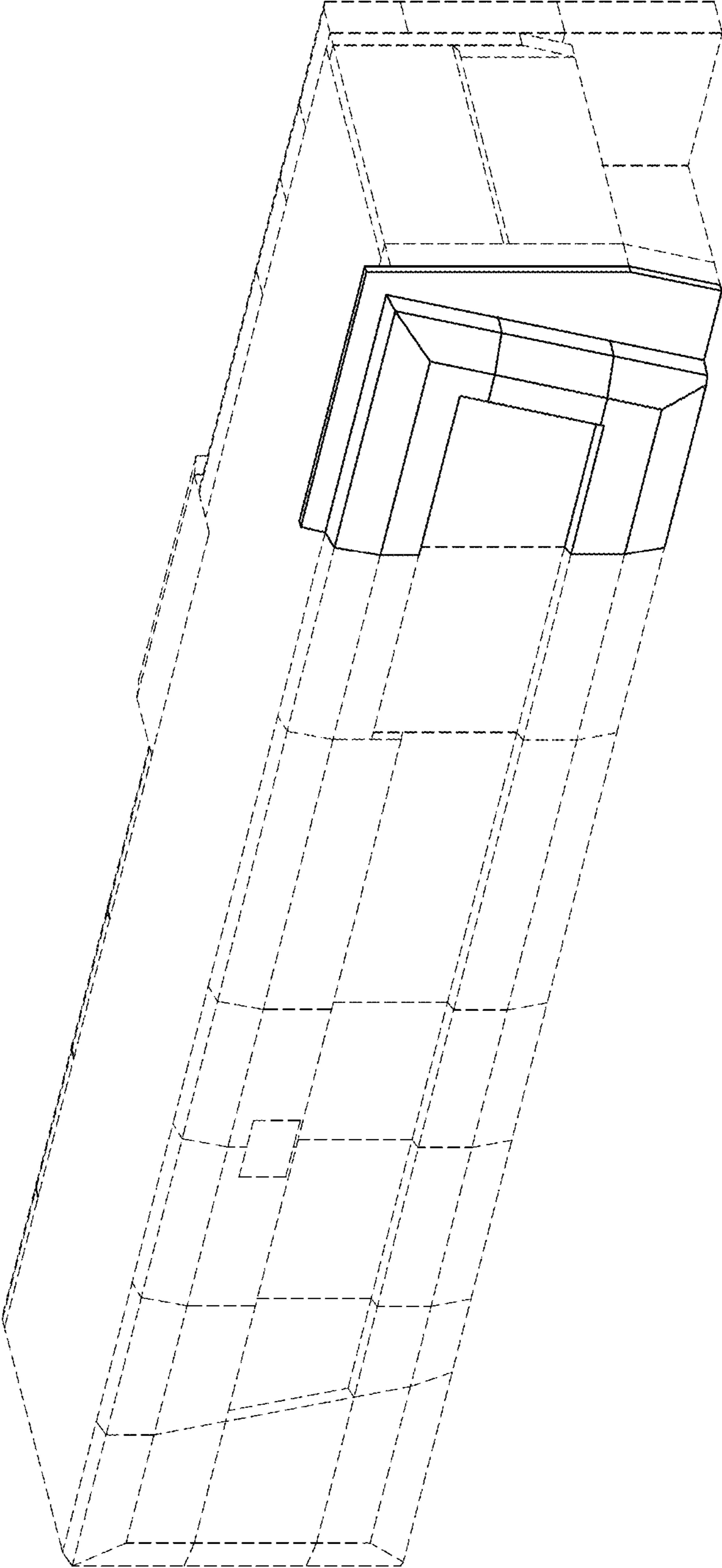


FIG. 1

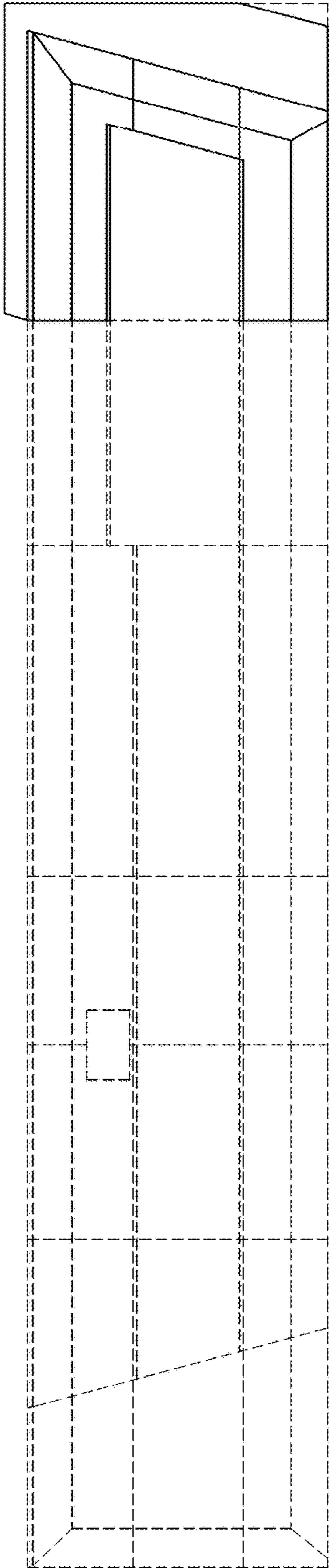


FIG. 2

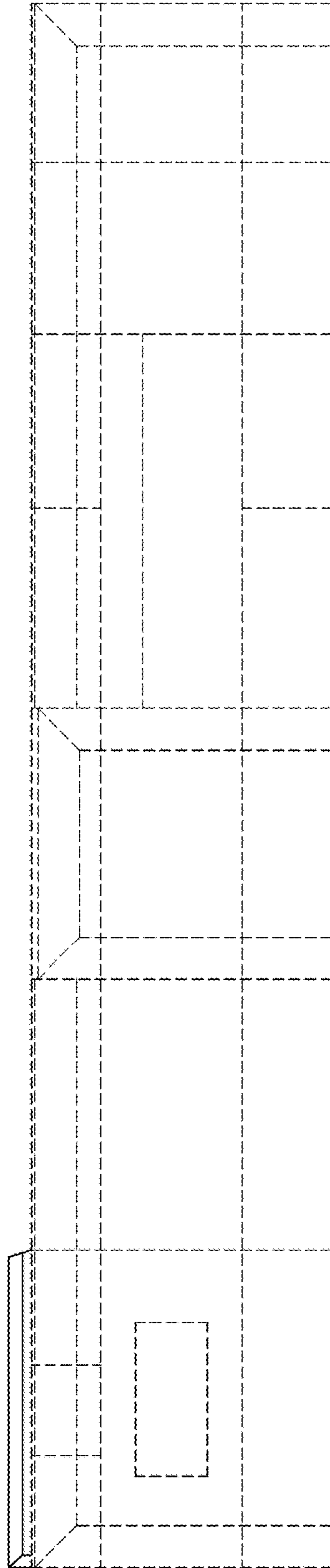


FIG. 3

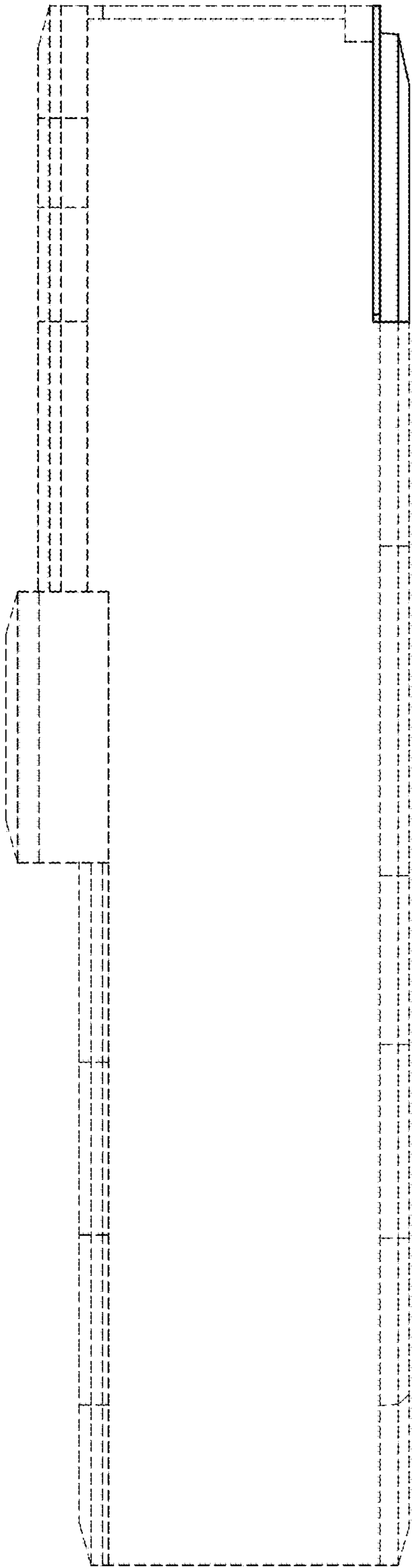


FIG. 4

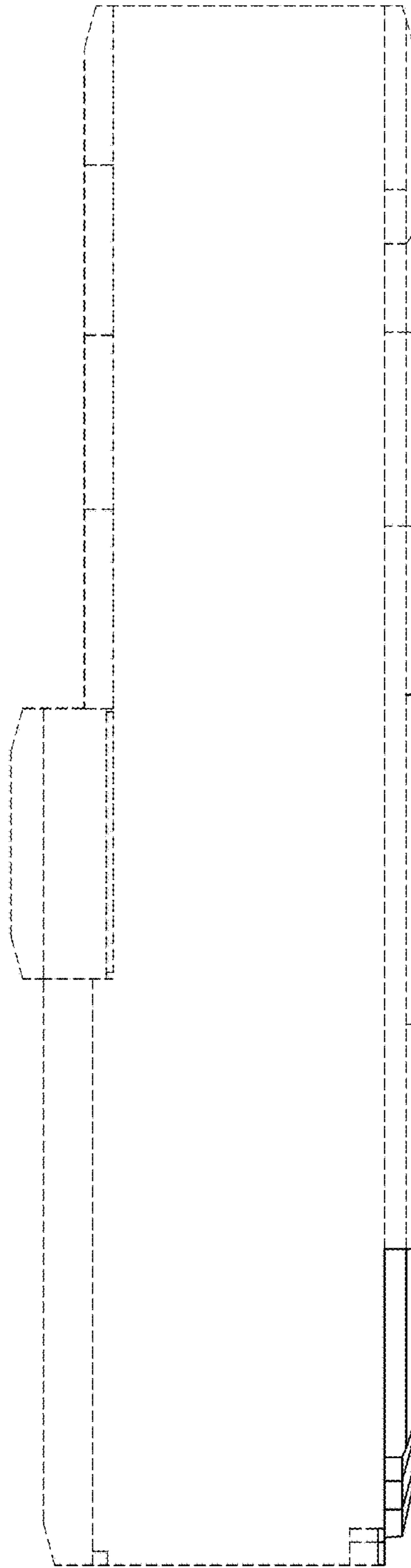


FIG. 5

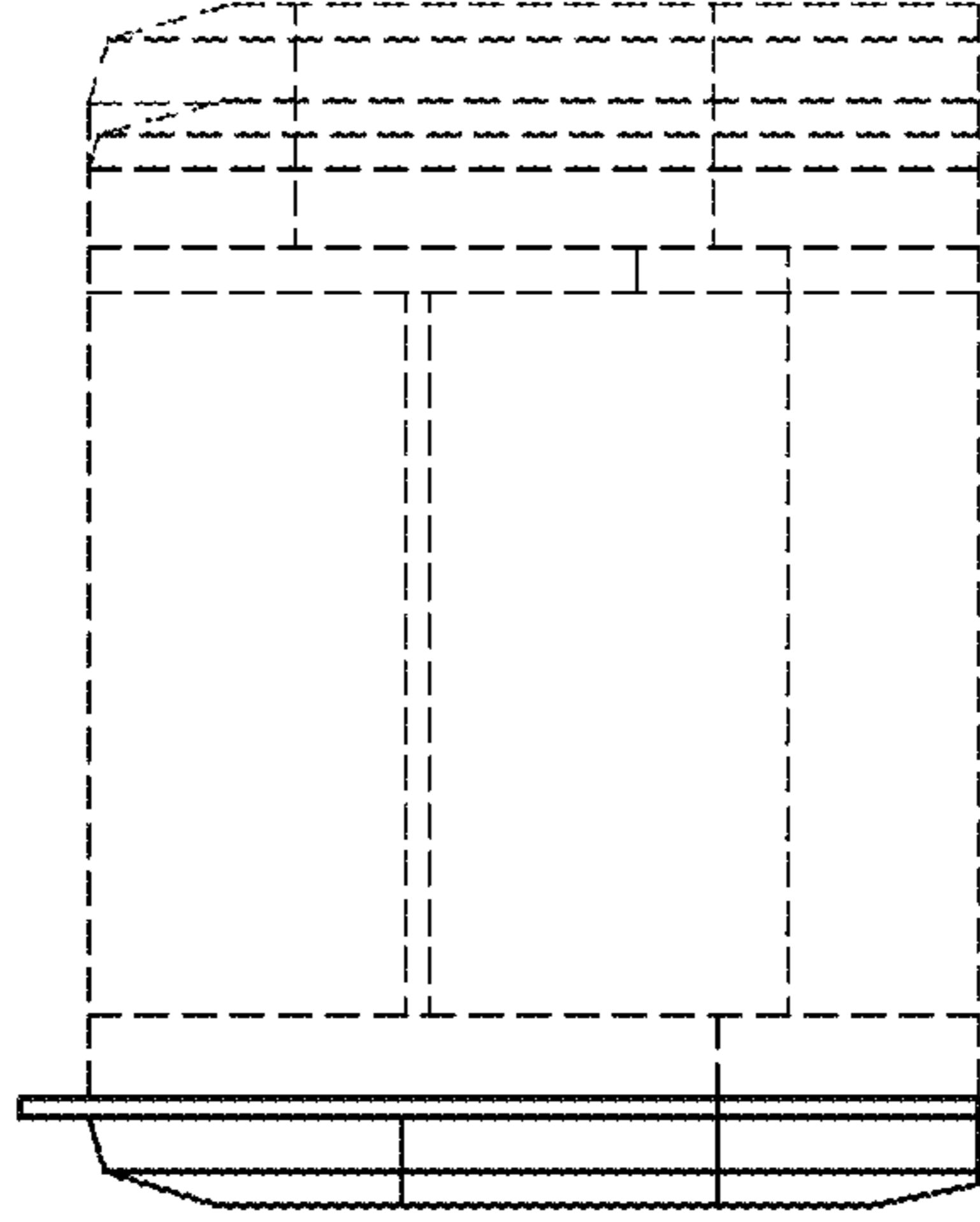


FIG. 6

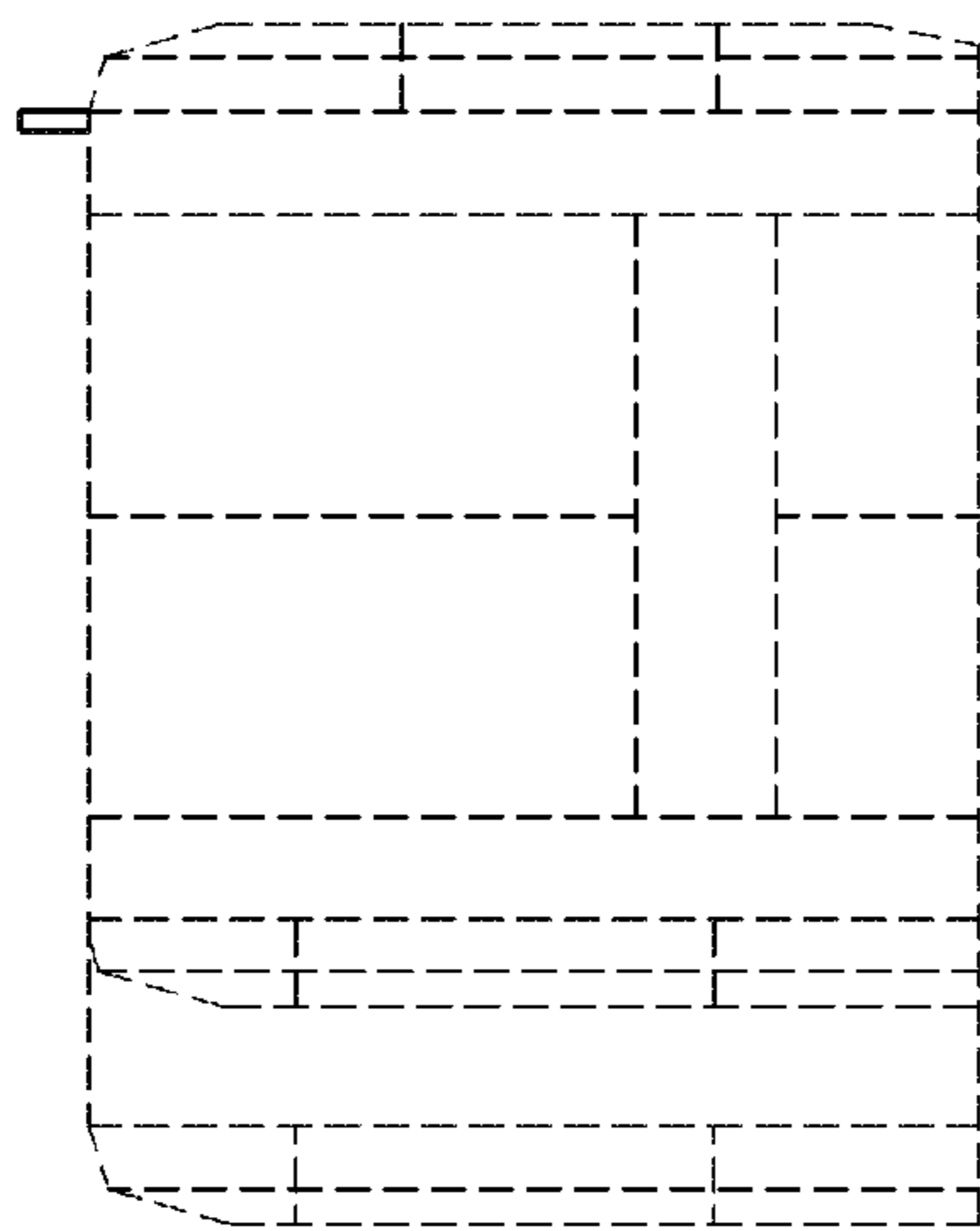


FIG. 7

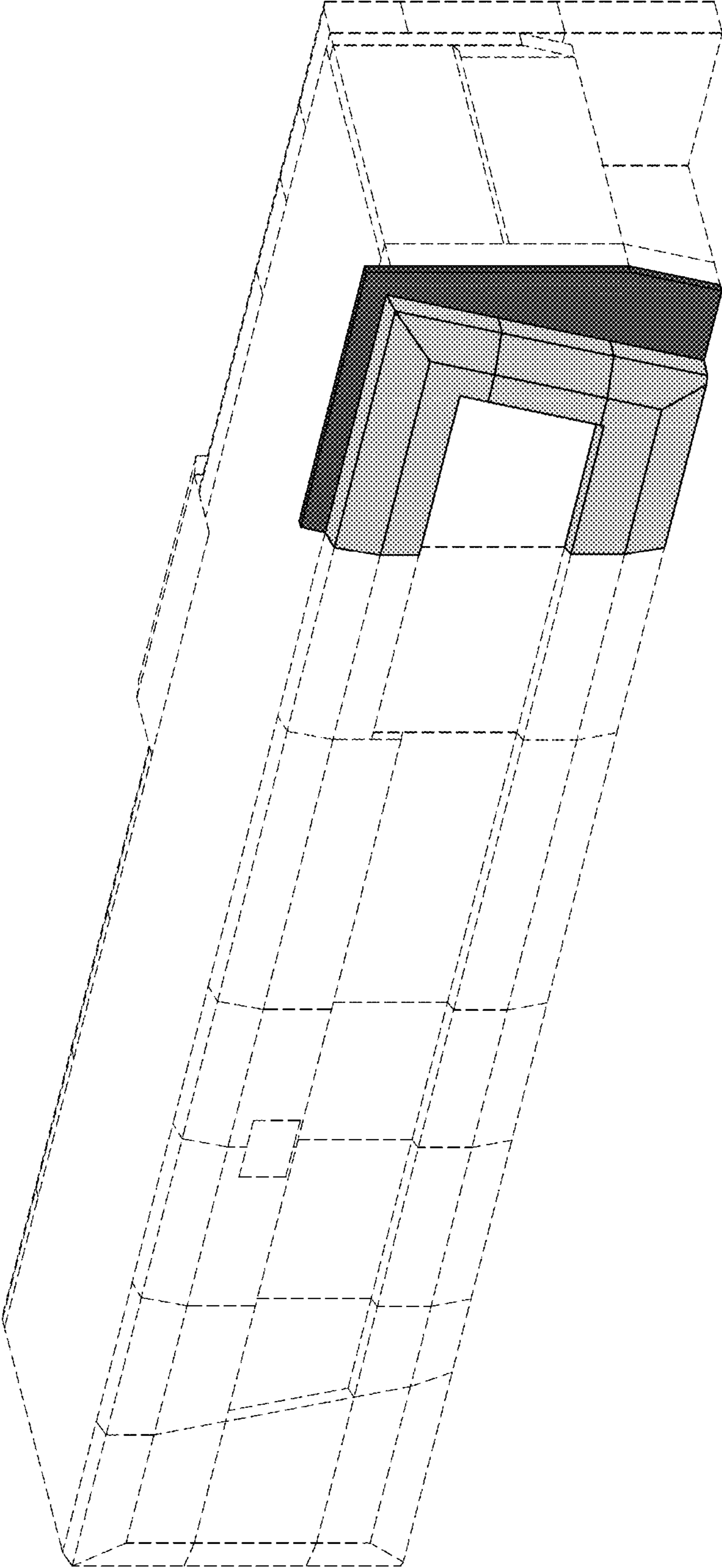


FIG. 8

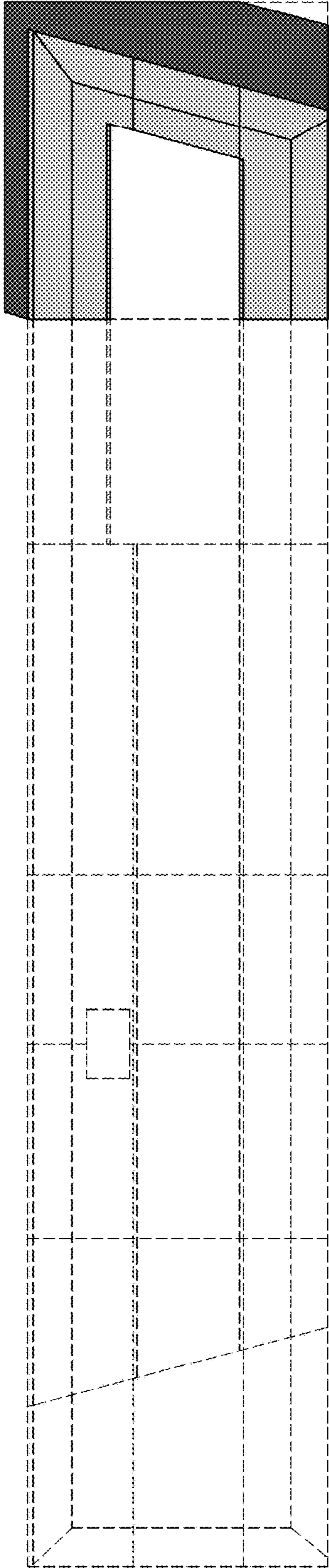


FIG. 9

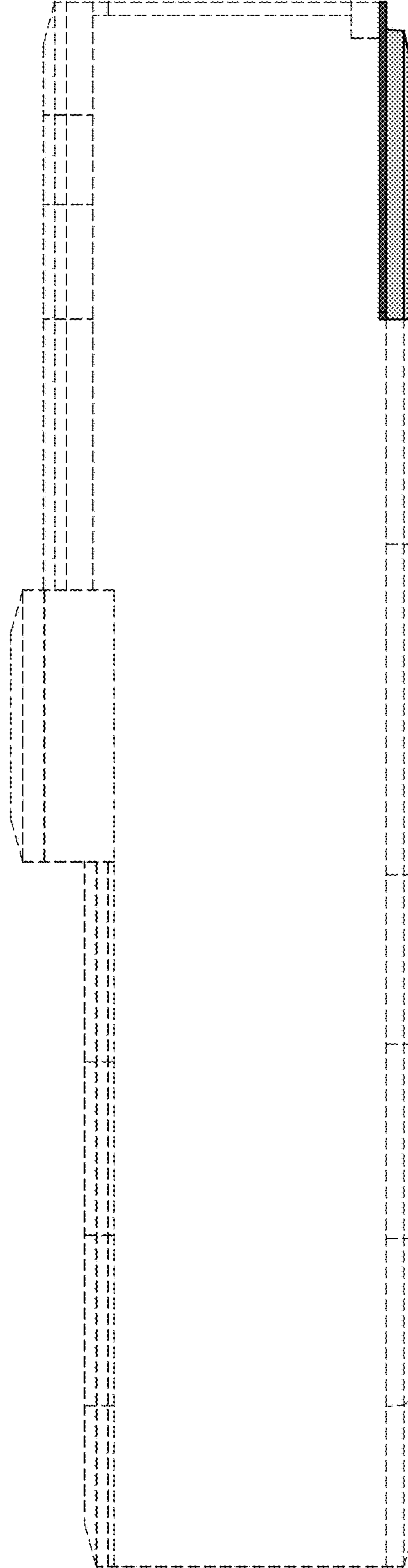


FIG. 10

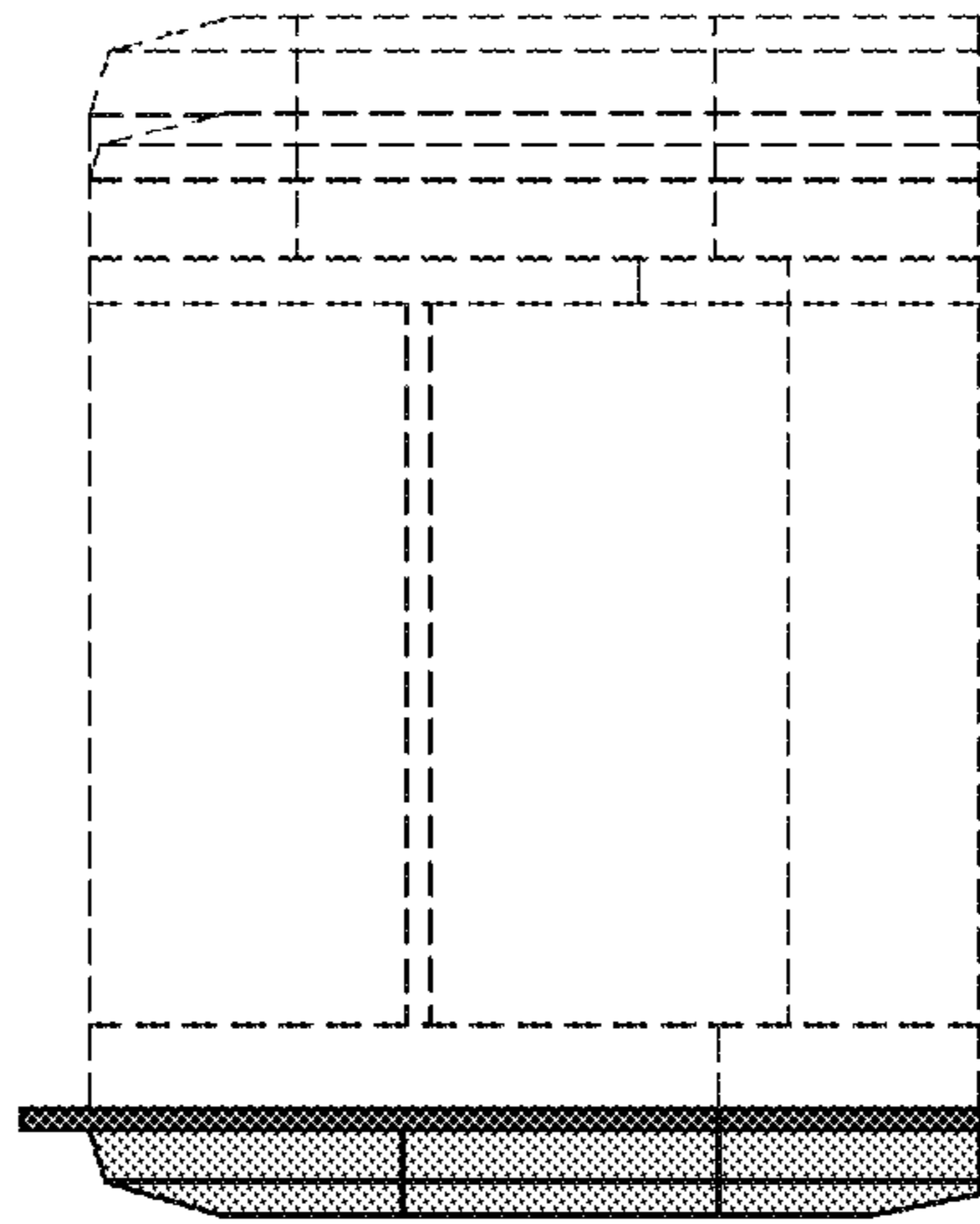


FIG. 11

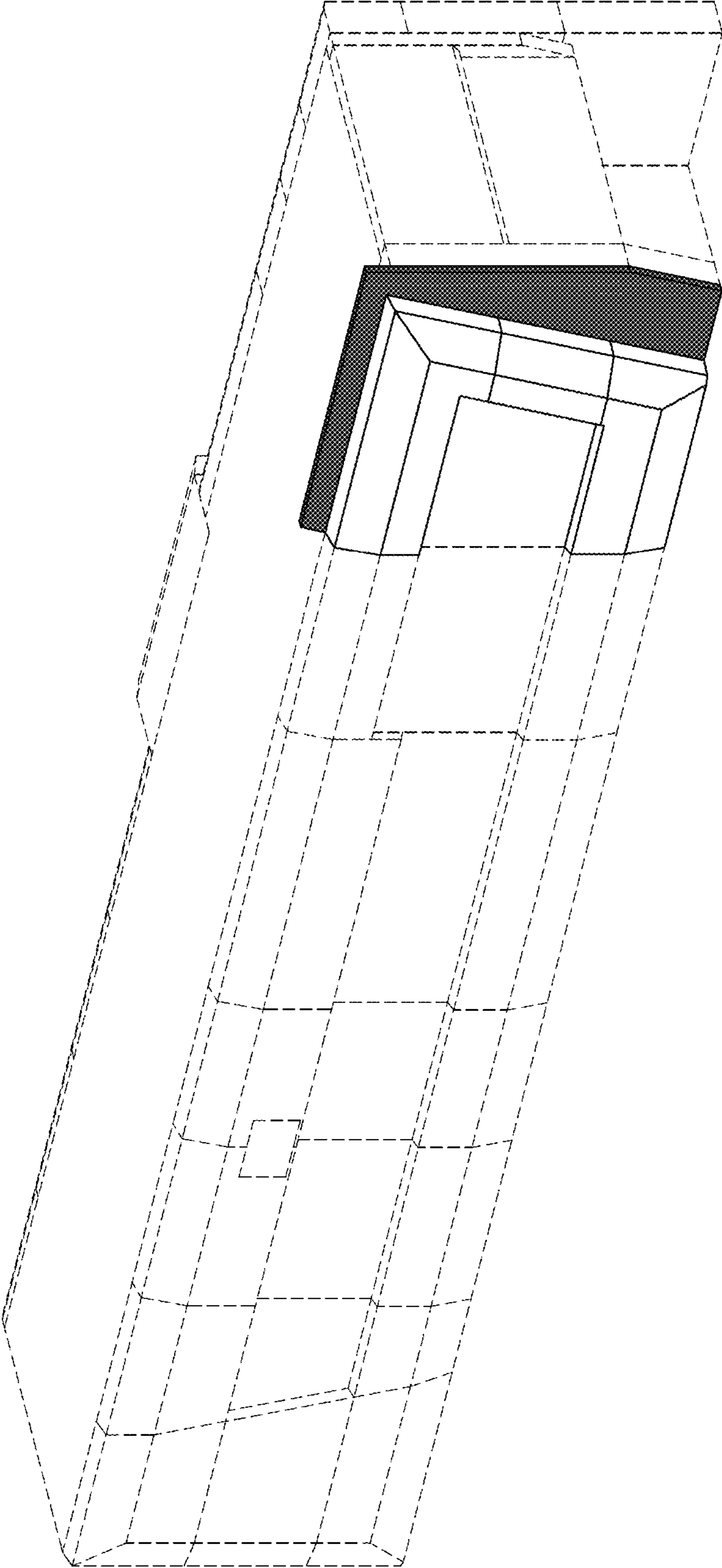


FIG. 12

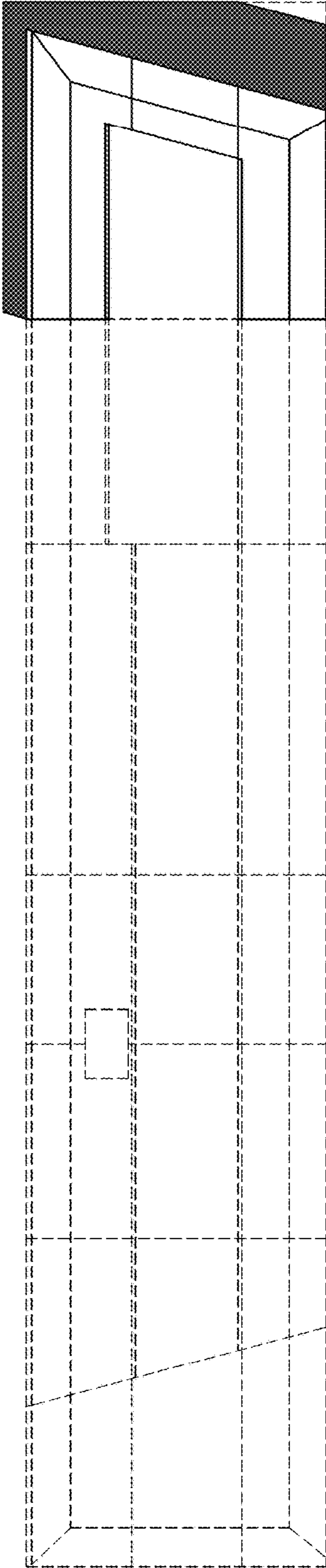


FIG. 13

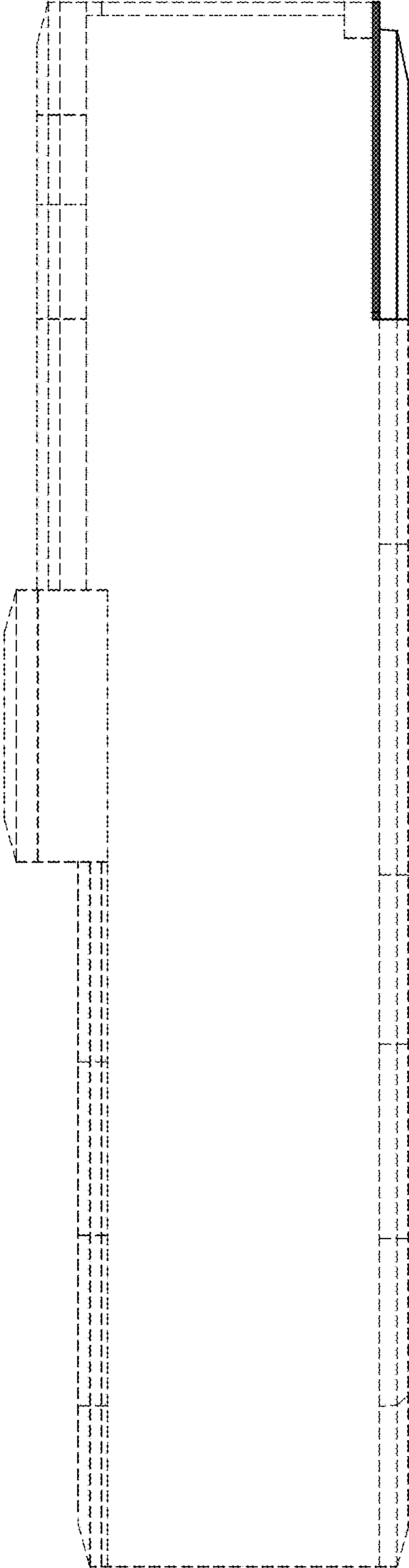


FIG. 14

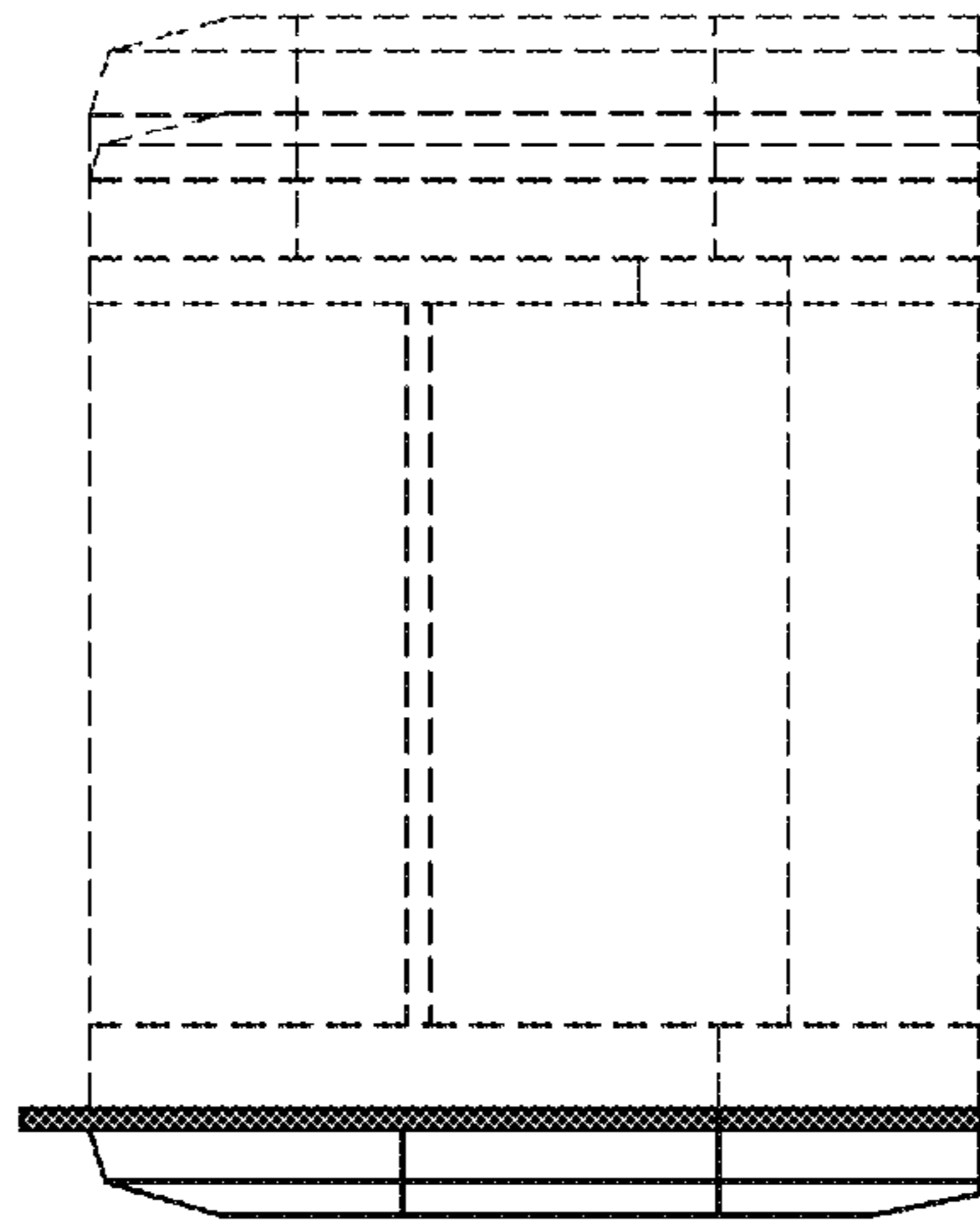


FIG. 15