



US00D921723S

(12) **United States Design Patent** (10) **Patent No.:** **US D921,723 S**  
**Smith** (45) **Date of Patent:** **\*\* Jun. 8, 2021**

- (54) **CONTAINER FOR RECEIVING HIGH TEMPERATURE MATERIAL**
- (71) Applicant: **Atkins Nuclear Secured Holdings Corporation**, Oak Ridge, TN (US)
- (72) Inventor: **Eric C. Smith**, Columbia, MD (US)
- (73) Assignee: **ATKINS NUCLEAR SECURED HOLDINGS CORPORATION**, Oak Ridge, TN (US)
- (\*\*) Term: **15 Years**
- (21) Appl. No.: **29/667,635**
- (22) Filed: **Oct. 23, 2018**
- (51) **LOC (13) Cl.** ..... **15-09**
- (52) **U.S. Cl.**  
USPC ..... **D15/144.1**; D13/184
- (58) **Field of Classification Search**  
USPC ..... D13/182, 184, 199; D15/144, 144.1; D9/516, 548, 558, 559, 560, 571, 572, D9/573, 574, 432; D7/509, 523, 601, D7/605, 619.1, 326, 354; D3/272  
CPC ..... H01L 21/00; H01L 21/67098; H01L 21/67103; H01L 21/67109; H01L 21/67115; H01L 21/683; H01L 21/68785; C23C 16/4584; C23C 16/4586; C23C 16/4581; C23C 16/481; H05B 3/00; H05B 3/0047; H05B 3/10; H05B 3/143; H05B 3/28; F27B 17/0025; F27B 17/02  
See application file for complete search history.

- D691,484 S \* 10/2013 Fitzgerald ..... D9/560
- D693,694 S \* 11/2013 Makhsudova ..... D9/560
- D717,661 S \* 11/2014 McIntire ..... D9/560
- D757,559 S \* 5/2016 Sanghavi ..... D9/559
- D769,124 S \* 10/2016 Wieland ..... D9/560
- D804,953 S \* 12/2017 Sanghavi ..... D9/560
- D815,952 S \* 4/2018 Chung ..... D9/560
- D823,363 S \* 7/2018 Takewaki ..... D15/144.1

(Continued)

**OTHER PUBLICATIONS**

Qorpak PLC-03549 128oz Natural HDPE Wide Mouth Round Bottle with 89-400 White PP Cap, Case of 4, [https://www.globalindustrial.com/p/medical-lab/lab-glassware-plasticware/lab-bottles-jars/plc-03549-128oz-natural-hdpe-wide-mouth-round-bottle-with-89-400-white-pp-cap-case-of-4?infoParam=campaignId,\(c\)2021\(Year: 2021\).](https://www.globalindustrial.com/p/medical-lab/lab-glassware-plasticware/lab-bottles-jars/plc-03549-128oz-natural-hdpe-wide-mouth-round-bottle-with-89-400-white-pp-cap-case-of-4?infoParam=campaignId,(c)2021(Year: 2021).)\*

*Primary Examiner* — Elizabeth J Oswecki  
(74) *Attorney, Agent, or Firm* — Norton Rose Fulbright US LLP

(57) **CLAIM**

The ornamental design for a container for receiving high temperature material, as shown and described.

**DESCRIPTION**

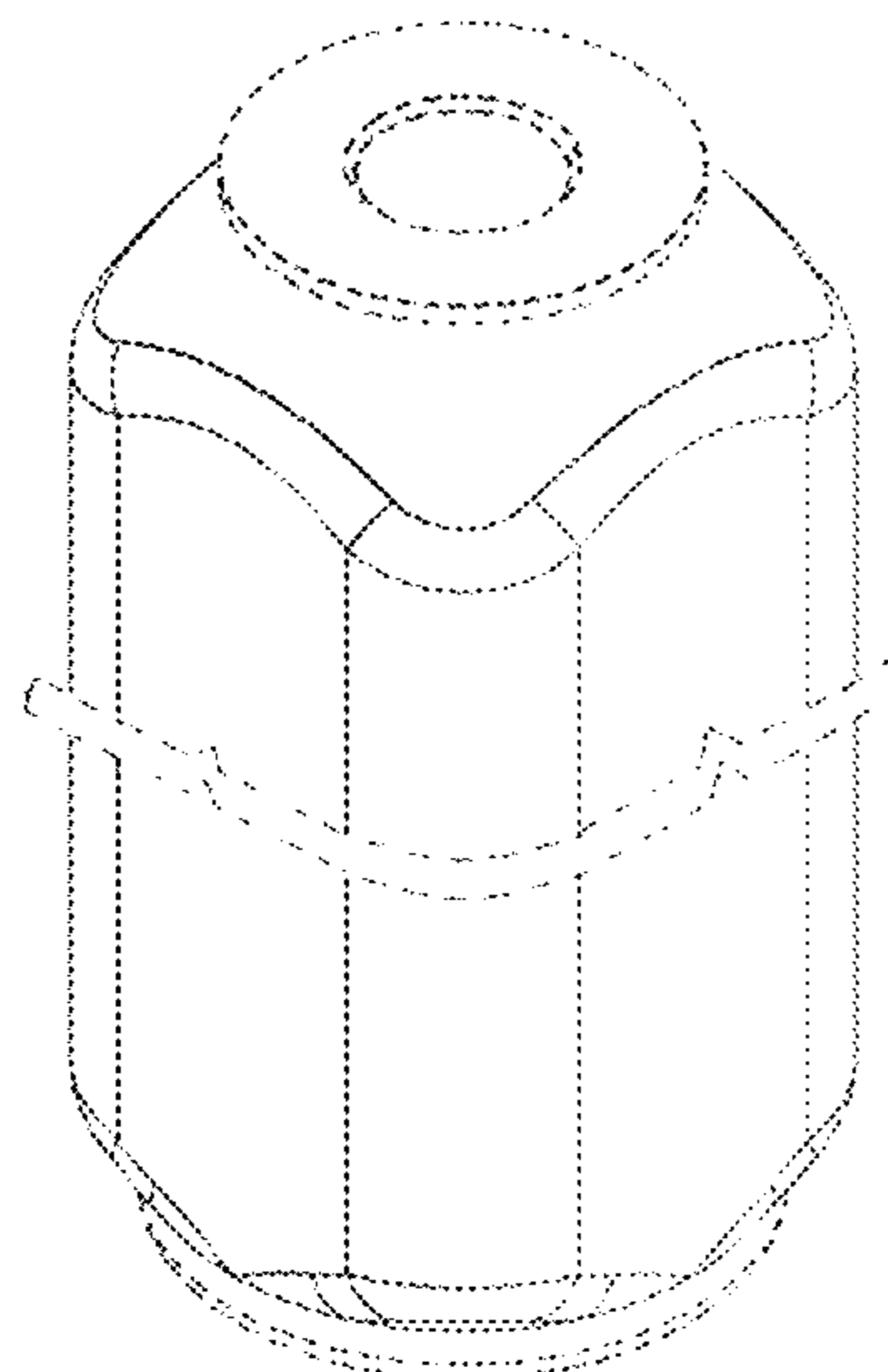
FIG. 1 is a perspective view of a container for receiving high temperature material showing my new design;  
FIG. 2 is a top view thereof;  
FIG. 3 is a side view thereof; and,  
FIG. 4 is a bottom view thereof.  
The even dashed broken lines shown in the drawings represent portions of the container for receiving high temperature material that form no part of the claimed design.  
The mid-section of the container for receiving high temperature material is shown broken away to indicate that no particular length is claimed. The portion between the break lines is not shown and forms no part of the claimed design.

**1 Claim, 4 Drawing Sheets**

(56) **References Cited**

**U.S. PATENT DOCUMENTS**

- 2,300,891 A \* 11/1942 Hanks ..... A47J 36/2433  
392/336
- D422,609 S \* 4/2000 Fong ..... D15/136
- D460,091 S \* 7/2002 Mizuno ..... D15/144.1
- D528,573 S \* 9/2006 Aoki ..... D15/144.1
- D529,058 S \* 9/2006 Aoki ..... D15/144.1



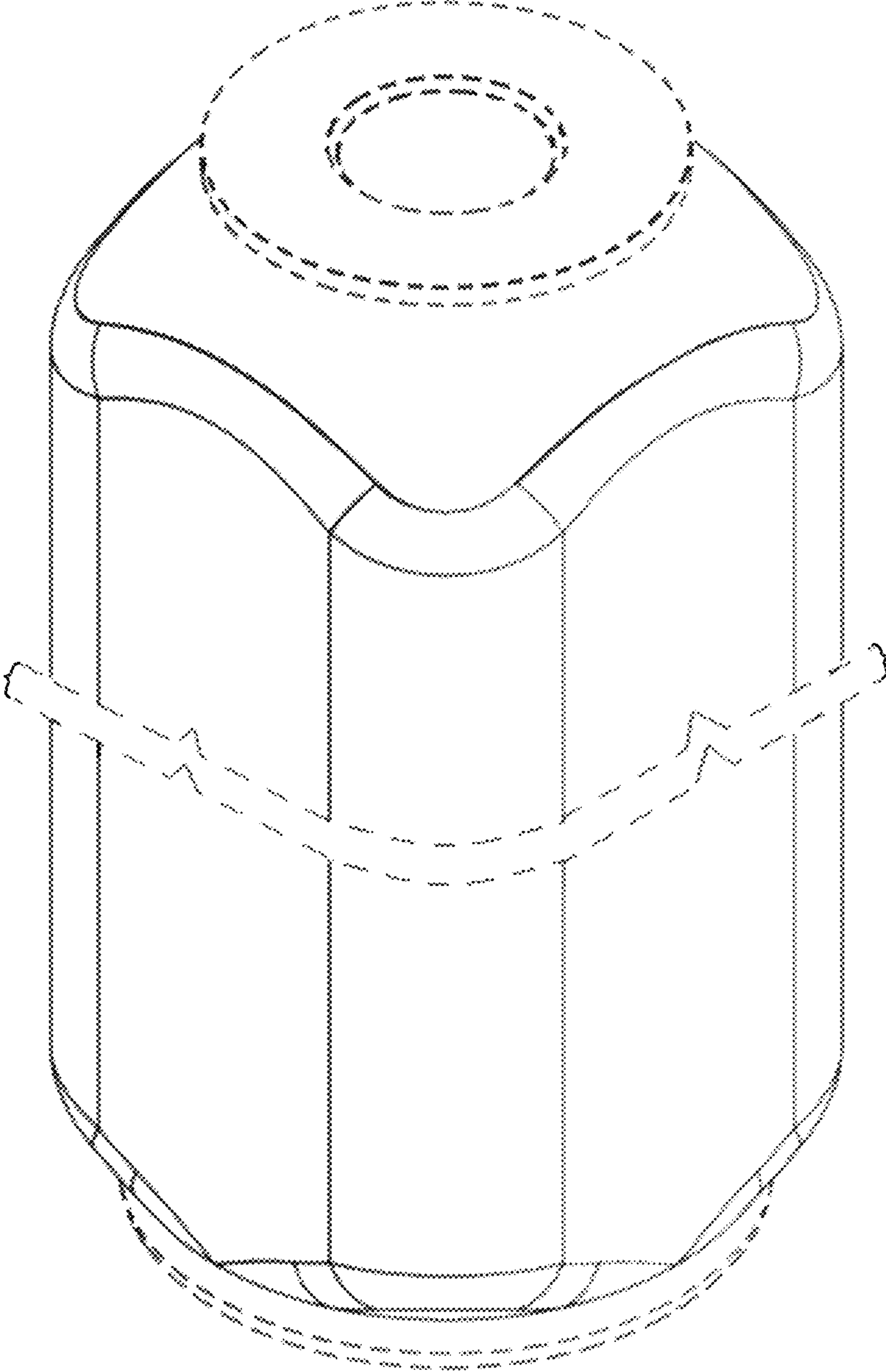
(56)

**References Cited**

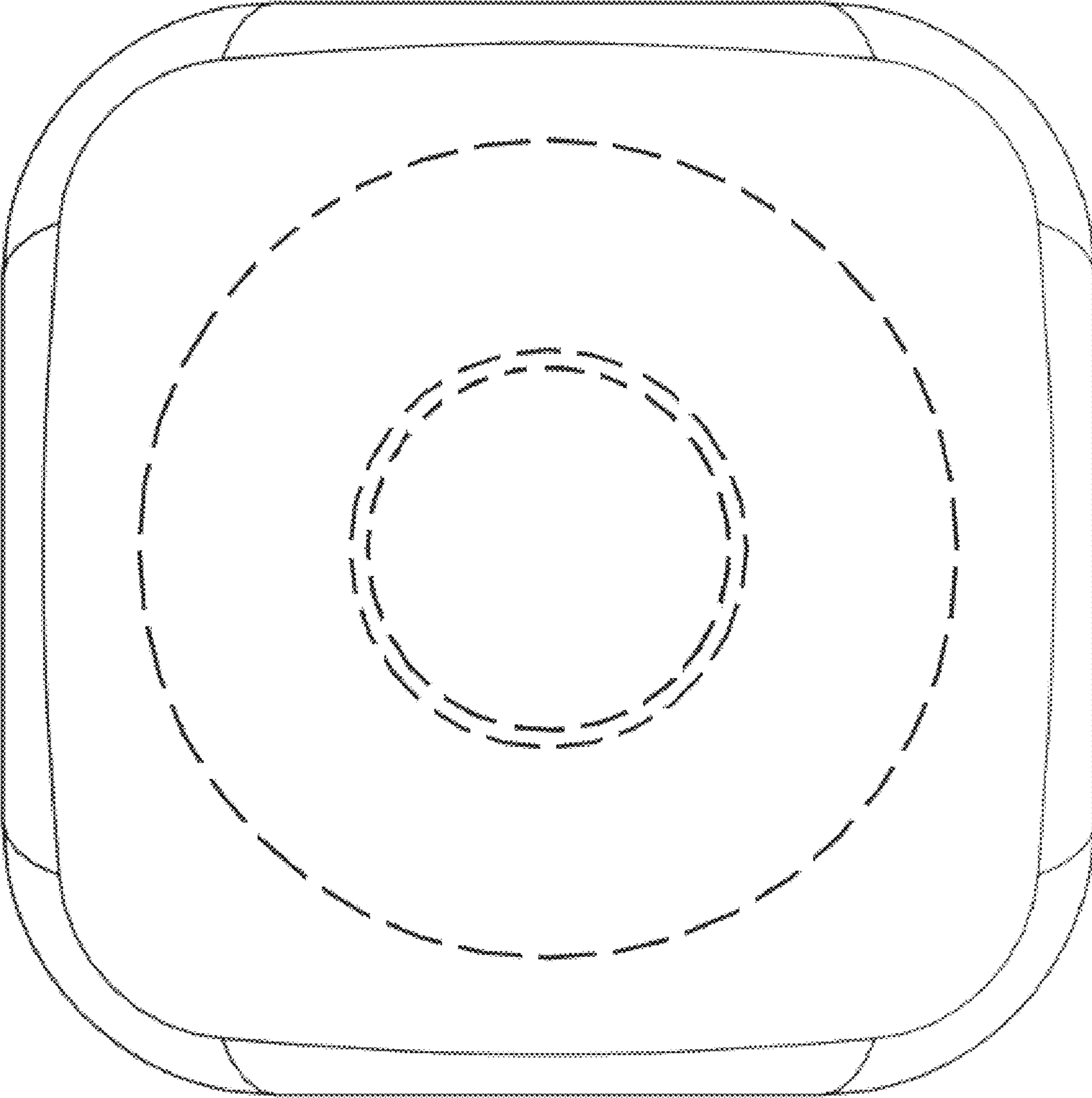
U.S. PATENT DOCUMENTS

D824,440	S	*	7/2018	Takewaki	.....	D15/144.1
D830,187	S	*	10/2018	Oesch, Jr.	.....	D9/560
D838,175	S	*	1/2019	Giannantonio	.....	D9/516
D883,096	S	*	5/2020	Thibault	.....	D9/536
D883,799	S	*	5/2020	Takahashi	.....	D9/574
D886,615	S	*	6/2020	Van Skaik	.....	D9/516
D886,625	S	*	6/2020	Van Skaik	.....	D9/574
D887,847	S	*	6/2020	Thibault	.....	D9/531
D887,849	S	*	6/2020	Van Skaik	.....	D9/542

\* cited by examiner



**FIG. 1**



**FIG. 2**

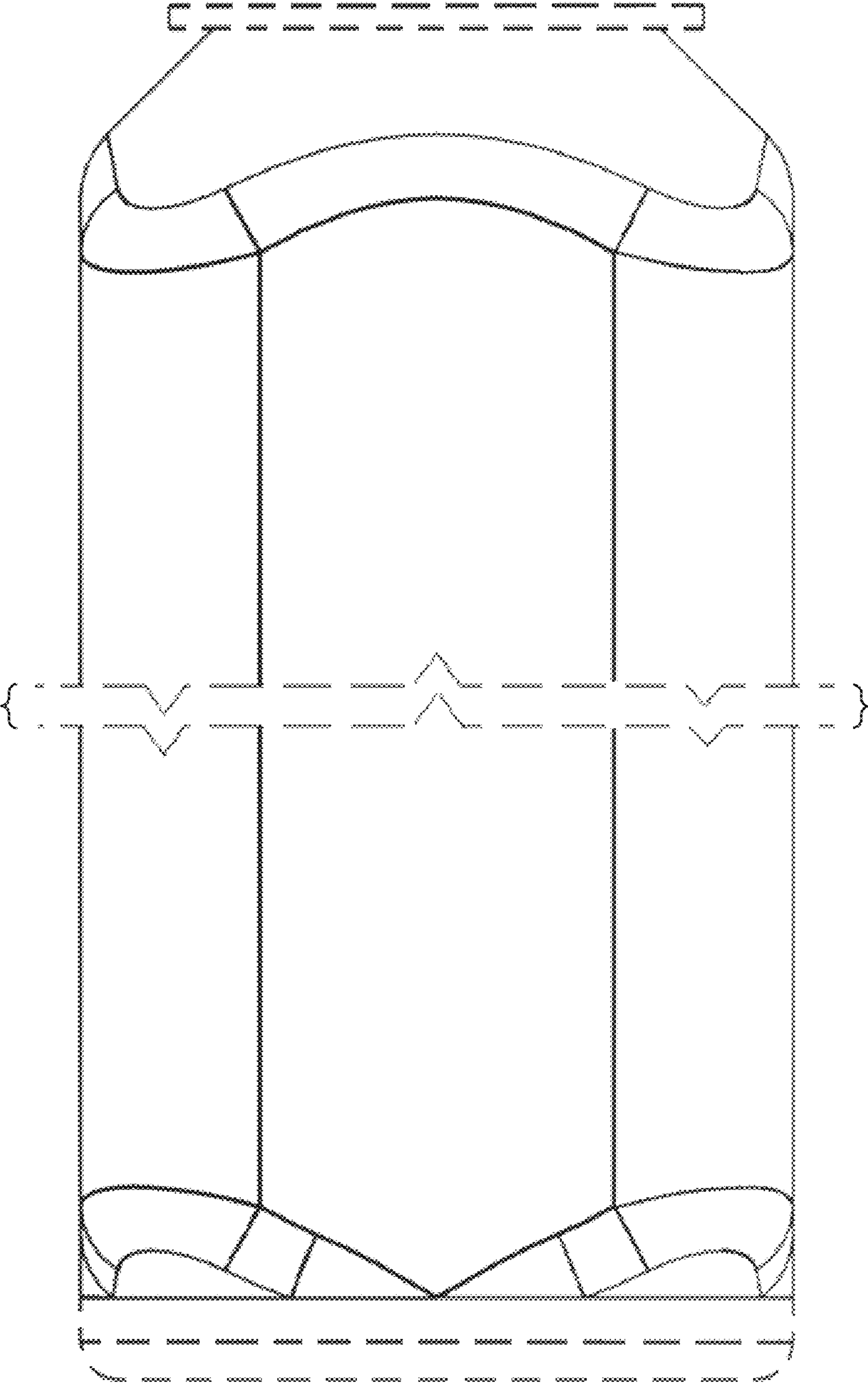


FIG. 3

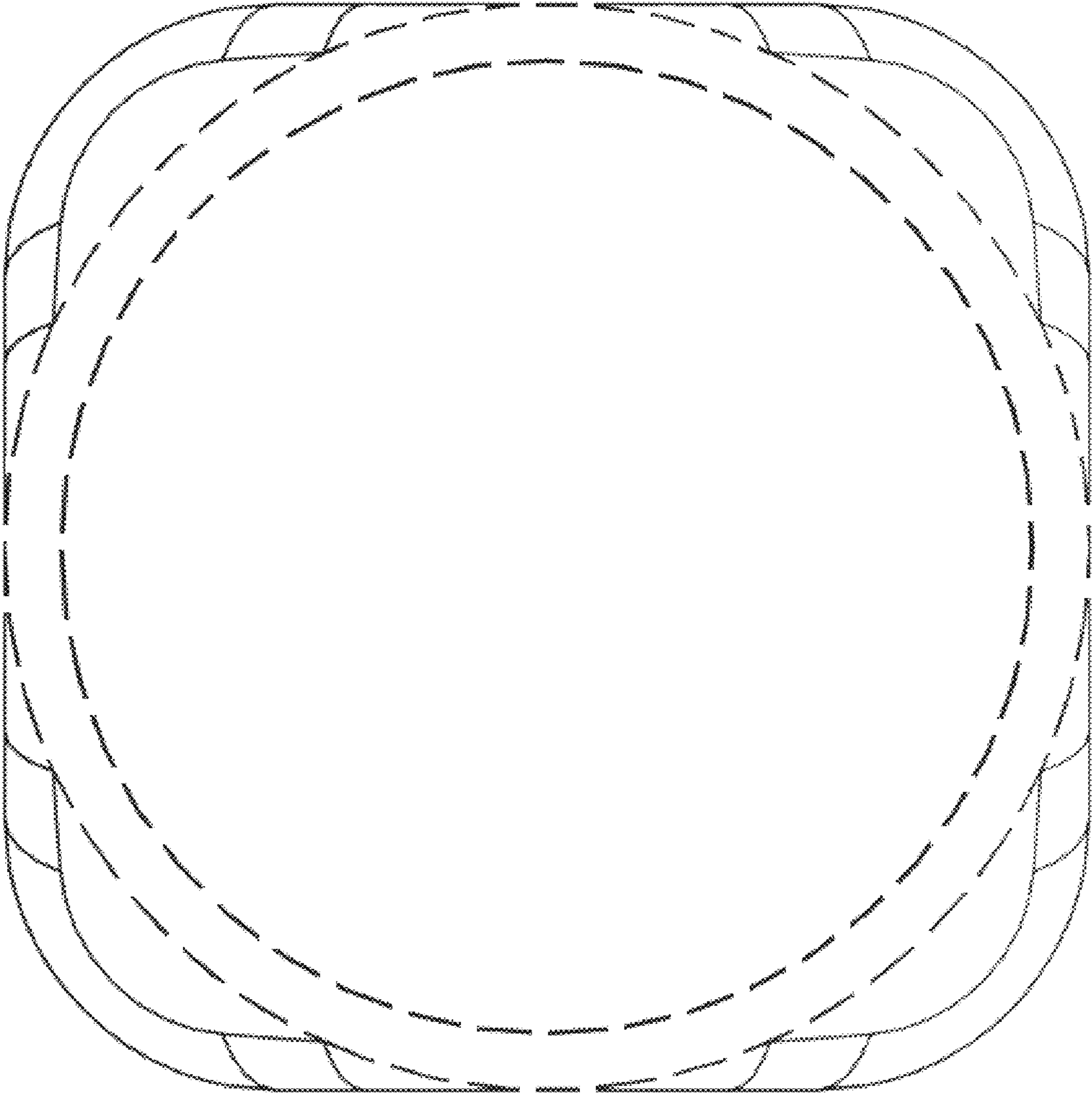


FIG. 4