



US00D921722S

(12) **United States Design Patent** (10) **Patent No.:** **US D921,722 S**  
**Corbit et al.** (45) **Date of Patent:** **\*\* Jun. 8, 2021**

(54) **FLUTED TAP** 7,144,208 B2 \* 12/2006 Henderer ..... B23G 5/06  
408/144  
(71) Applicants: **Devin Corbit**, Richmond, TX (US); 7,147,413 B2 \* 12/2006 Henderer ..... B23G 5/06  
**Damon Kuhn**, Needville, TX (US) 408/144  
(72) Inventors: **Devin Corbit**, Richmond, TX (US); 7,150,588 B2 12/2006 Hakansson  
**Damon Kuhn**, Needville, TX (US) D585,916 S \* 2/2009 Greenleaf ..... D15/128  
7,736,100 B2 6/2010 Evans  
(Continued)

(\*\*) Term: **15 Years**

FOREIGN PATENT DOCUMENTS

(21) Appl. No.: **29/652,157**

EP 2511541 10/2014  
WO WO 2007090600 8/2007  
WO WO 2019130142 7/2019

(22) Filed: **May 26, 2020**

(51) **LOC (13) Cl.** ..... **08-05**

(52) **U.S. Cl.**  
USPC ..... **D15/139**

(58) **Field of Classification Search**  
USPC ..... D8/14, 70, 86; D15/139  
CPC . B23G 5/00; B23G 5/06; B23G 5/062; B23G  
5/068; B26G 5/066

See application file for complete search history.

OTHER PUBLICATIONS

“JTC Spark Plug Hole Thread Chaser. JTC Tools # 1618” available  
at <https://www.ebay.com/itm/JTC-Spark-Plug-Hole-Thread-Chaser-JTC-Tools-1618-/183131189857> (last accessed Jul. 22, 2019).  
(Continued)

*Primary Examiner* — Philip S Hyder  
(74) *Attorney, Agent, or Firm* — Schultz & Associates,  
P.C.

(56) **References Cited**

U.S. PATENT DOCUMENTS

1,093,331 A 4/1914 Jaques  
4,111,442 A 9/1978 Wawrzyniak  
4,412,764 A 11/1983 Wawrzyniak  
4,708,542 A \* 11/1987 Emanuelli ..... B23G 5/06  
407/119  
4,856,946 A 8/1989 Park  
5,037,251 A \* 8/1991 Roth ..... B23B 31/005  
408/222  
D328,557 S \* 8/1992 Nishimura ..... D8/70  
6,068,632 A \* 5/2000 Carchidi ..... A61B 17/1635  
433/165  
6,217,267 B1 \* 4/2001 Sugano ..... B23G 7/02  
408/222  
6,244,142 B1 6/2001 Swanson  
6,293,740 B1 \* 9/2001 Schulte ..... B23G 5/182  
409/66  
6,499,920 B2 12/2002 Sawabe  
6,929,024 B1 \* 8/2005 Rucker ..... B25B 27/062  
137/315.41

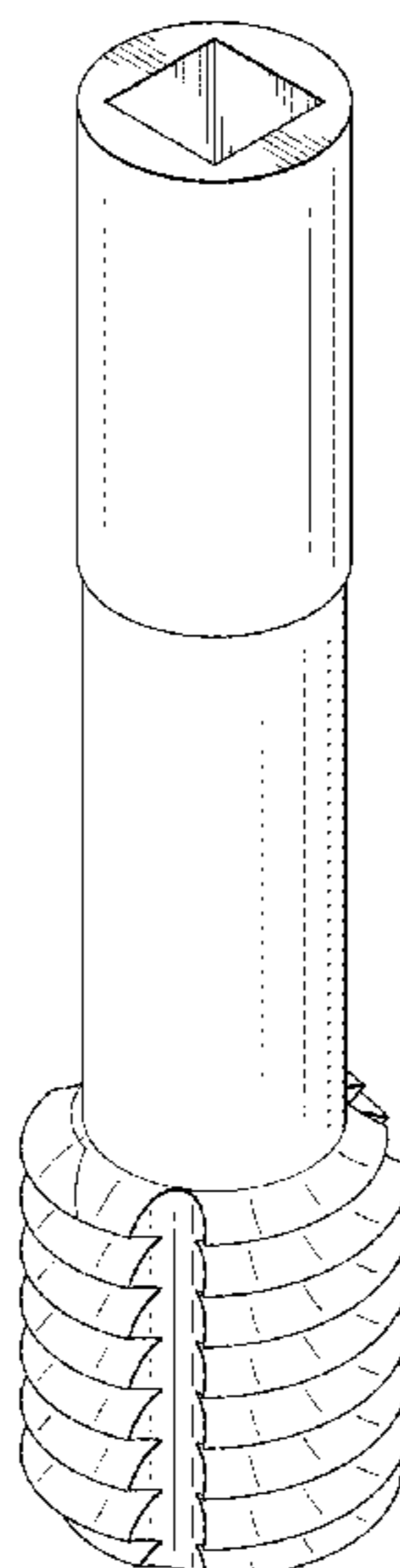
(57) **CLAIM**

The ornamental design for a fluted tap, as shown and  
described.

**DESCRIPTION**

FIG. 1 is a perspective view of a fluted tap;  
FIG. 2 is a front elevation view thereof;  
FIG. 3 is a rear elevation view thereof;  
FIG. 4 is right side elevation view thereof;  
FIG. 5 is a left side elevation view thereof;  
FIG. 6 is a top plan view thereof;  
FIG. 7 is a bottom plan view thereof; and,  
FIG. 8 is a perspective view of a fluted tap.

**1 Claim, 5 Drawing Sheets**



(56)

References Cited

U.S. PATENT DOCUMENTS

8,052,360 B2 11/2011 Strom  
 8,425,163 B2\* 4/2013 Yamamoto ..... B23G 7/02  
 408/222  
 D686,647 S \* 7/2013 Glimpel ..... D15/139  
 D694,407 S \* 11/2013 Ackermann ..... D24/152  
 8,844,941 B1 9/2014 Dickrede  
 8,931,980 B2 1/2015 Knecht  
 8,944,728 B2 2/2015 Vokel  
 9,138,819 B2\* 9/2015 Ohhashi ..... B23G 7/02  
 9,227,256 B2 1/2016 Emerson  
 D805,863 S \* 12/2017 Alho ..... D8/14  
 9,962,784 B2 5/2018 Bohm  
 10,245,665 B2 4/2019 Woods  
 D877,218 S \* 3/2020 Wu ..... D15/139  
 2005/0271486 A1\* 12/2005 Henderer ..... B23P 15/52  
 408/222  
 2007/0082746 A1 4/2007 Rigdon  
 2007/0298892 A1\* 12/2007 Leonard ..... B23G 1/261  
 470/198  
 2008/0075550 A1\* 3/2008 Reed ..... B23G 5/06  
 408/230

2009/0136898 A1\* 5/2009 Kim ..... A61B 17/1655  
 433/165  
 2011/0020087 A1\* 1/2011 Yamamoto ..... B23G 7/02  
 408/219  
 2012/0243953 A1 9/2012 Orbemdorfer  
 2014/0105697 A1\* 4/2014 Osawa ..... B23G 5/005  
 408/57  
 2015/0023749 A1 1/2015 Wheatley  
 2015/0158101 A1 6/2015 Evans  
 2018/0085835 A1\* 3/2018 Wu ..... B23C 5/10  
 2018/0185941 A1\* 7/2018 Klein ..... B23G 5/068  
 2019/0176255 A1 6/2019 Kopton  
 2019/0291196 A1\* 9/2019 Harada ..... B23G 7/02

OTHER PUBLICATIONS

“ABN Oxygen Sensor Thread Chaser, M18 × 1.5 Oxygen Sensor Socket Rethread Tool” available at <https://www.ebay.com/itm/ABN-Oxygen-Sensor-Thread-Chaser-M18-x-1-5-Oxygen-Sensor-Socket-Rethread-Tool-/231779043341> (last accessed Jul. 22, 2019).

\* cited by examiner

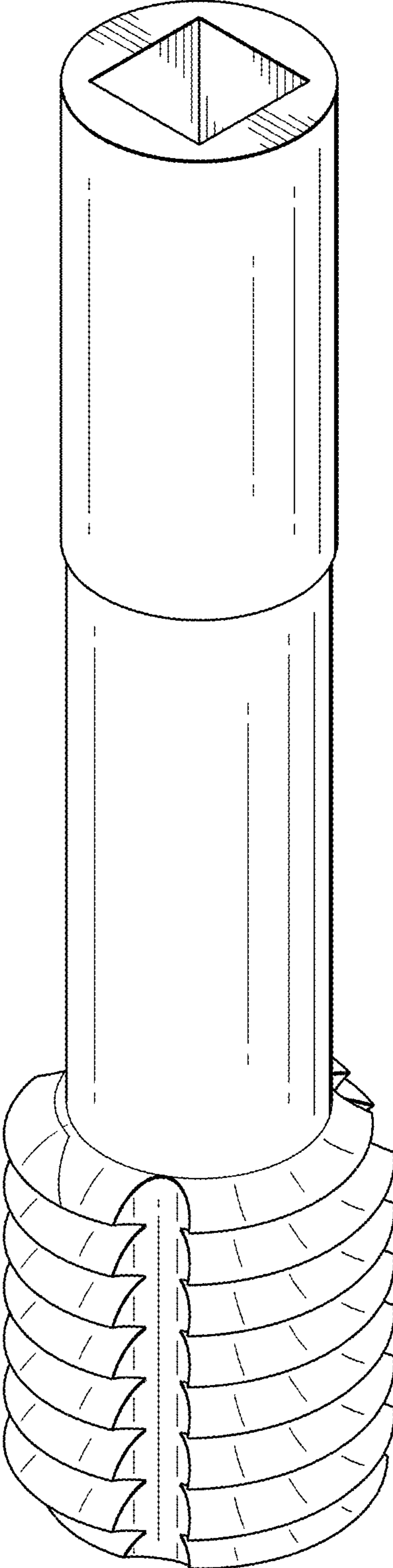


FIG. 1

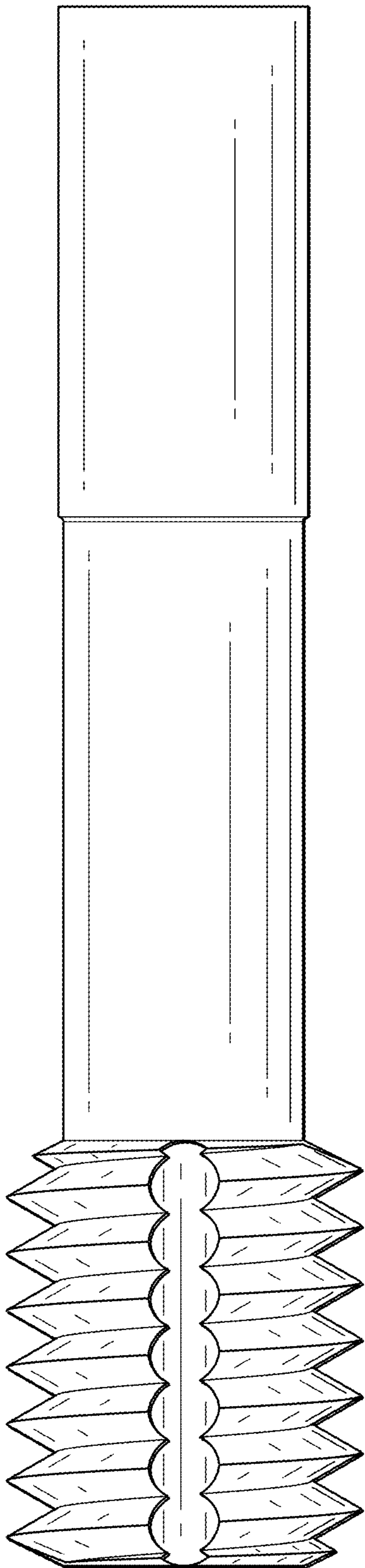


FIG. 2

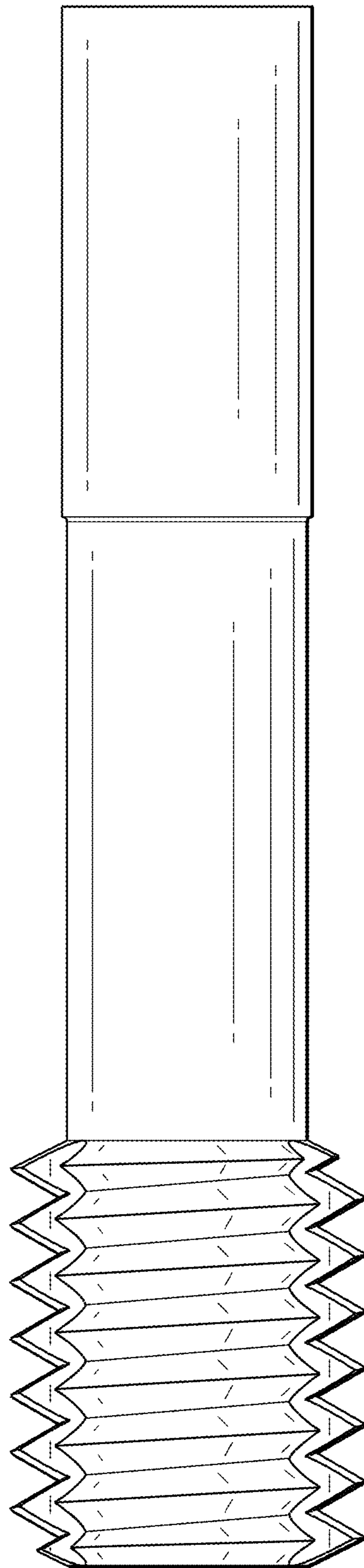


FIG. 3



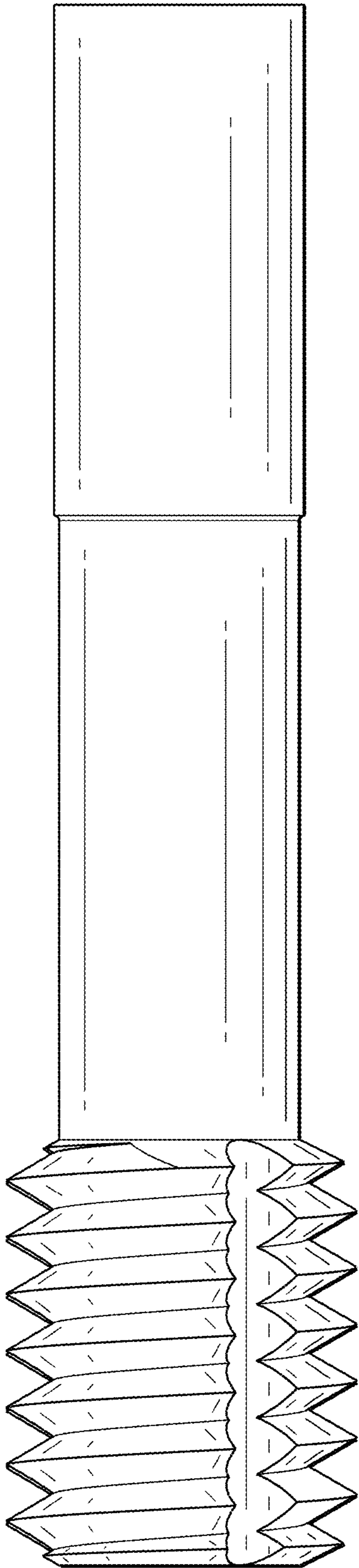


FIG. 4

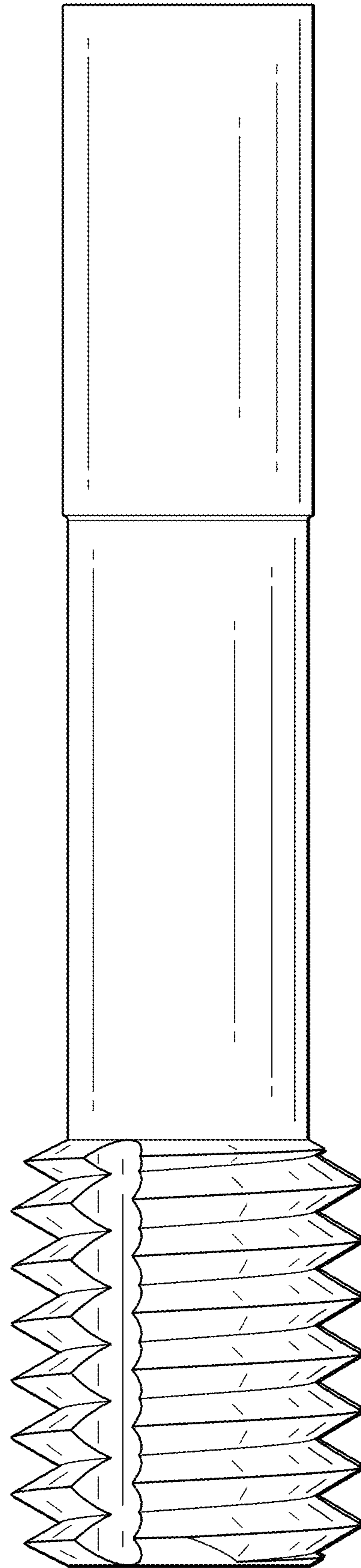


FIG. 5

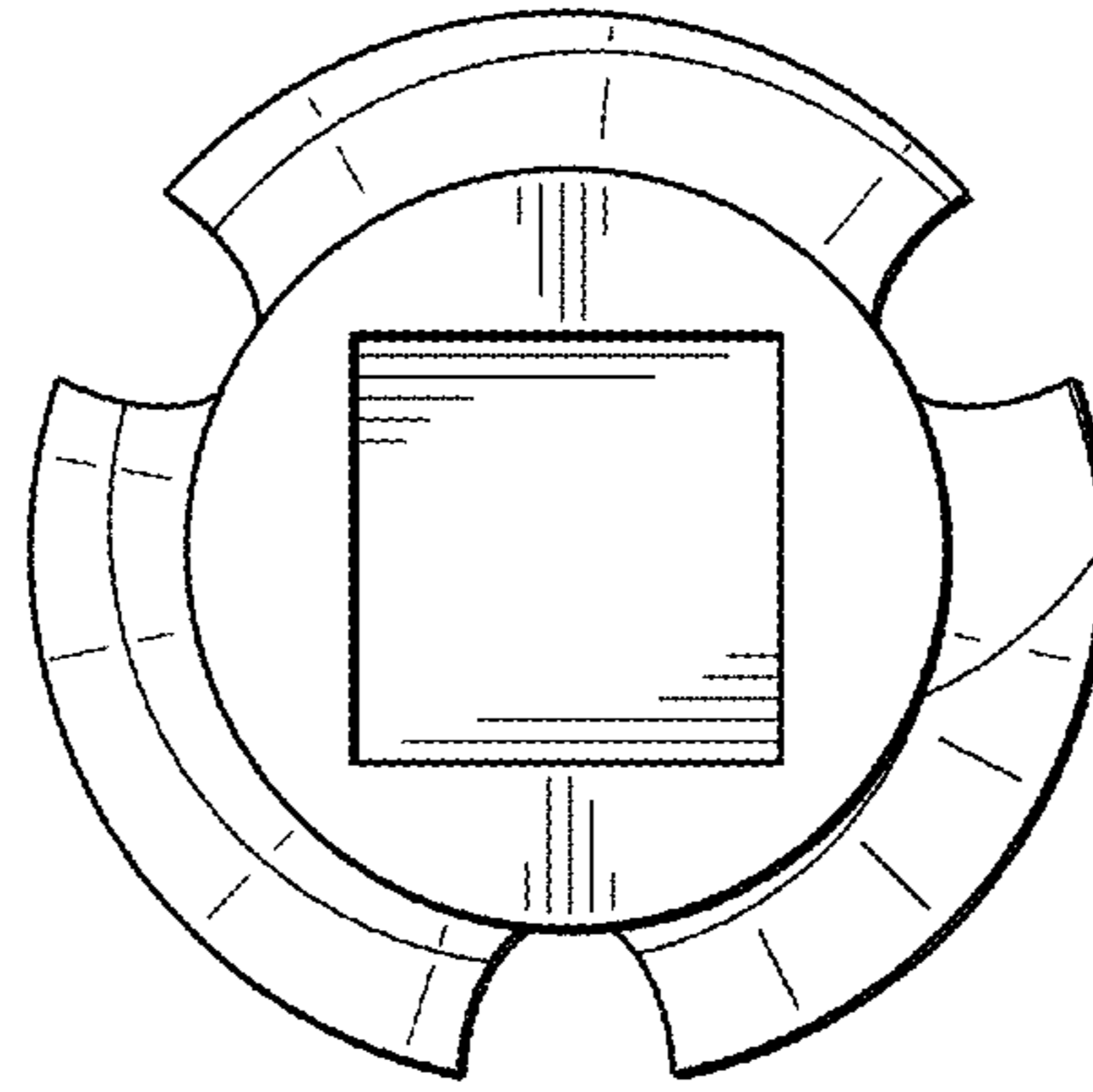


FIG. 6

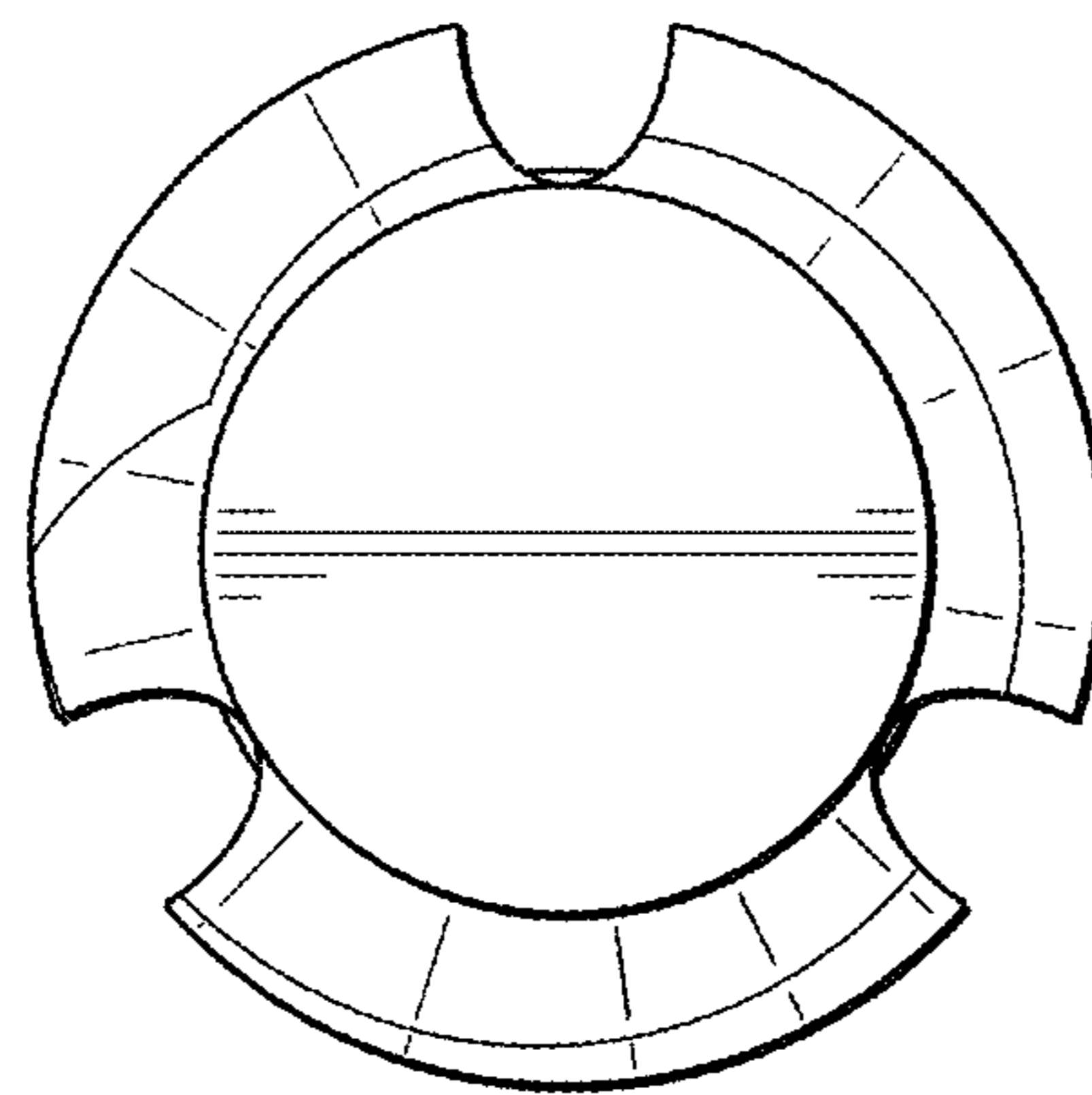


FIG. 7

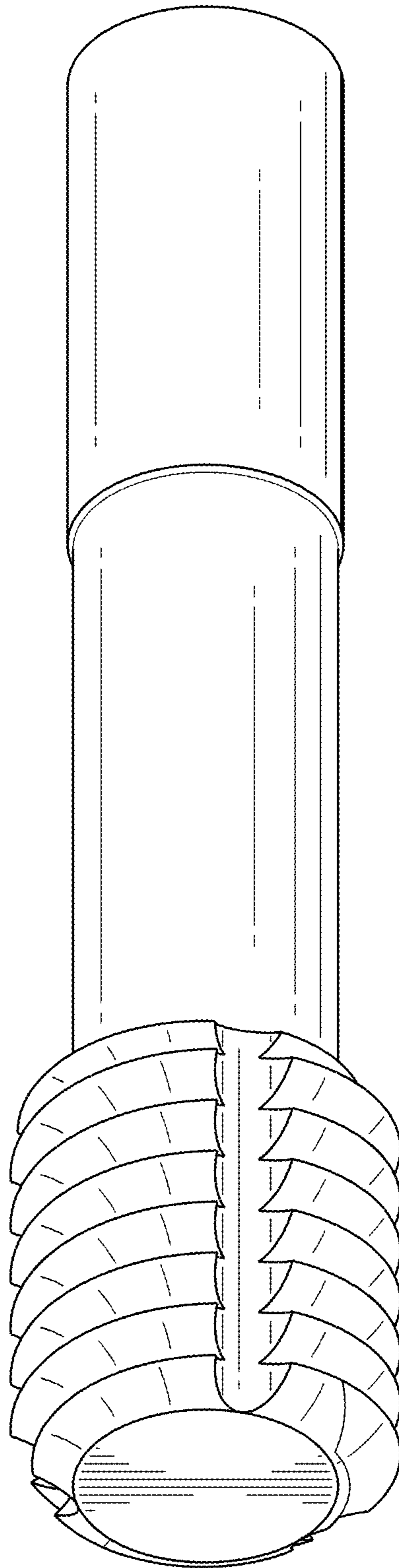


FIG. 8