



US00D921721S

(12) **United States Design Patent**  
**Matzen**

(10) **Patent No.:** **US D921,721 S**  
(45) **Date of Patent:** **\*\* Jun. 8, 2021**

(54) **PART OF MACHINE FOR MOLDING AND CASTING NAILS AND SCREWS**

(71) Applicant: **Enkotec A/S**, Skanderborg (DK)

(72) Inventor: **Claus Peter Matzen**, Silkeborg (DK)

(73) Assignee: **Enkotec A/S**, Skanderborg (DK)

(\*\*) Term: **15 Years**

(21) Appl. No.: **35/508,898**

(22) Filed: **Sep. 6, 2019**

(80) **Hague Agreement Data**

Int. Filing Date: **Sep. 6, 2019**  
Int. Reg. No.: **DM/206567**  
Int. Reg. Date: **Sep. 6, 2019**  
Int. Reg. Pub. Date: **Mar. 27, 2020**

(51) **LOC (13) Cl.** ..... **15-09**

(52) **U.S. Cl.**  
USPC ..... **D15/136**  
CPC ..... **B21G 3/28 (2013.01)**

(58) **Field of Classification Search**  
USPC ..... D15/128, 135-136, 138; 30/360, 362,  
30/366; 83/23, 24, 98, 100, 143, 683,  
83/685, 686  
CPC ... B21G 3/28; B21G 3/32; B21G 3/16; B21G  
3/12; B21J 13/025; B21J 13/02; B21J  
13/03  
See application file for complete search history.

(56) **References Cited**

**U.S. PATENT DOCUMENTS**

3,965,716 A \* 6/1976 Suzuki ..... B21J 9/06  
72/356  
5,152,948 A \* 10/1992 Lizenby ..... B29C 39/026  
264/242

5,223,158 A \* 6/1993 Lizenby ..... B29C 39/026  
249/175  
5,902,304 A \* 5/1999 Walker ..... A61B 17/663  
606/71  
6,780,116 B2 \* 8/2004 Hurst ..... B21G 3/00  
470/121  
D592,685 S \* 5/2009 Ferry ..... D15/128  
8,997,617 B2 \* 4/2015 Thomson ..... B21D 28/246  
83/686  
8,998,733 B2 \* 4/2015 Kim ..... B21G 3/32  
470/110  
D736,280 S \* 8/2015 Myrhum, Jr. .... D15/136  
D787,576 S \* 5/2017 Carstens ..... D15/128  
D839,925 S \* 2/2019 Winter ..... D15/11  
10,906,087 B1 \* 2/2021 Matzen ..... B21G 3/28  
2010/0130295 A1 \* 5/2010 Yao ..... B21G 3/32  
470/121

\* cited by examiner

*Primary Examiner* — Richard E Chilcot

(74) *Attorney, Agent, or Firm* — Knobbe, Martens, Olson & Bear, LLP

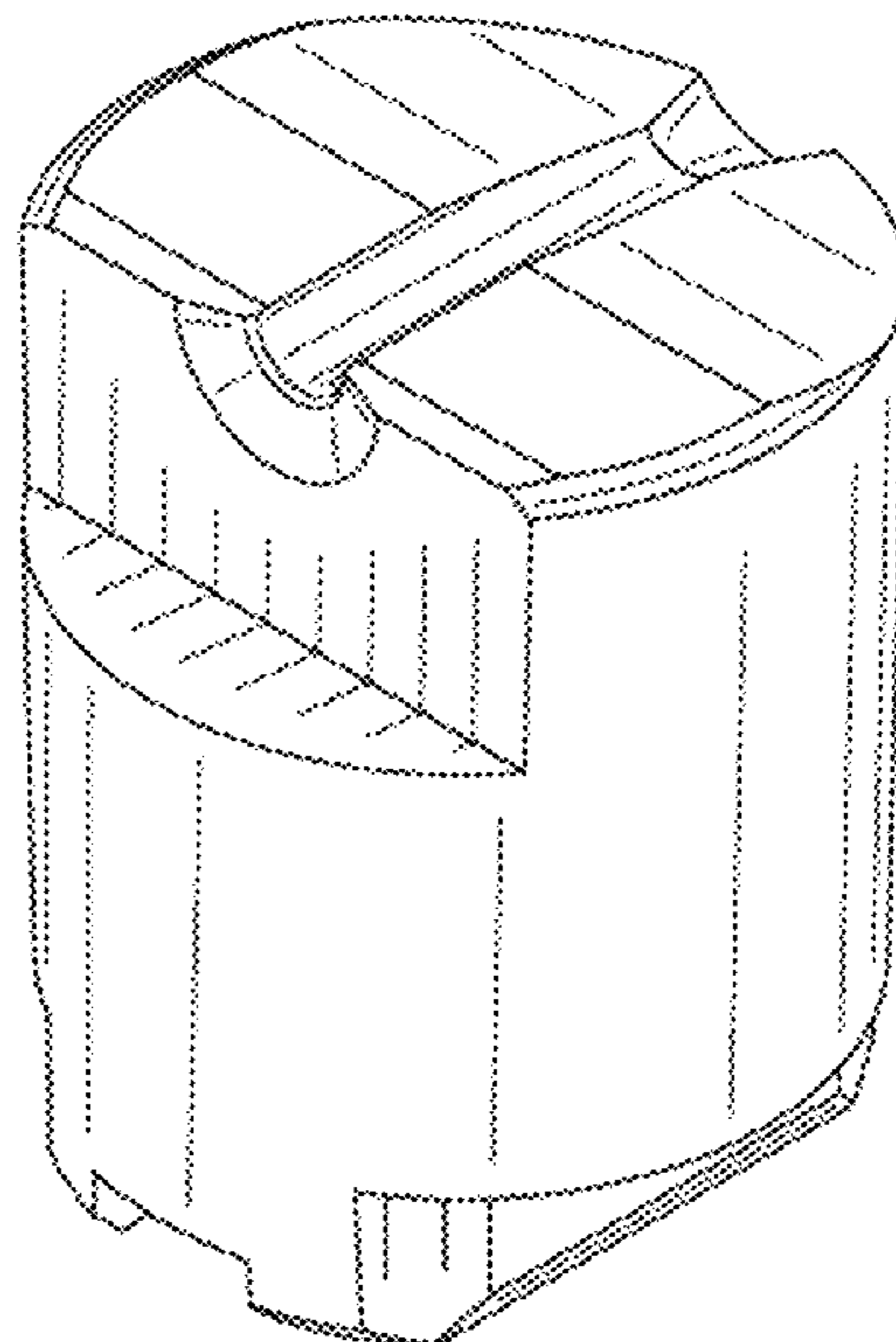
(57) **CLAIM**

The ornamental design for a part of machine for molding and casting nails and screws, as shown and described.

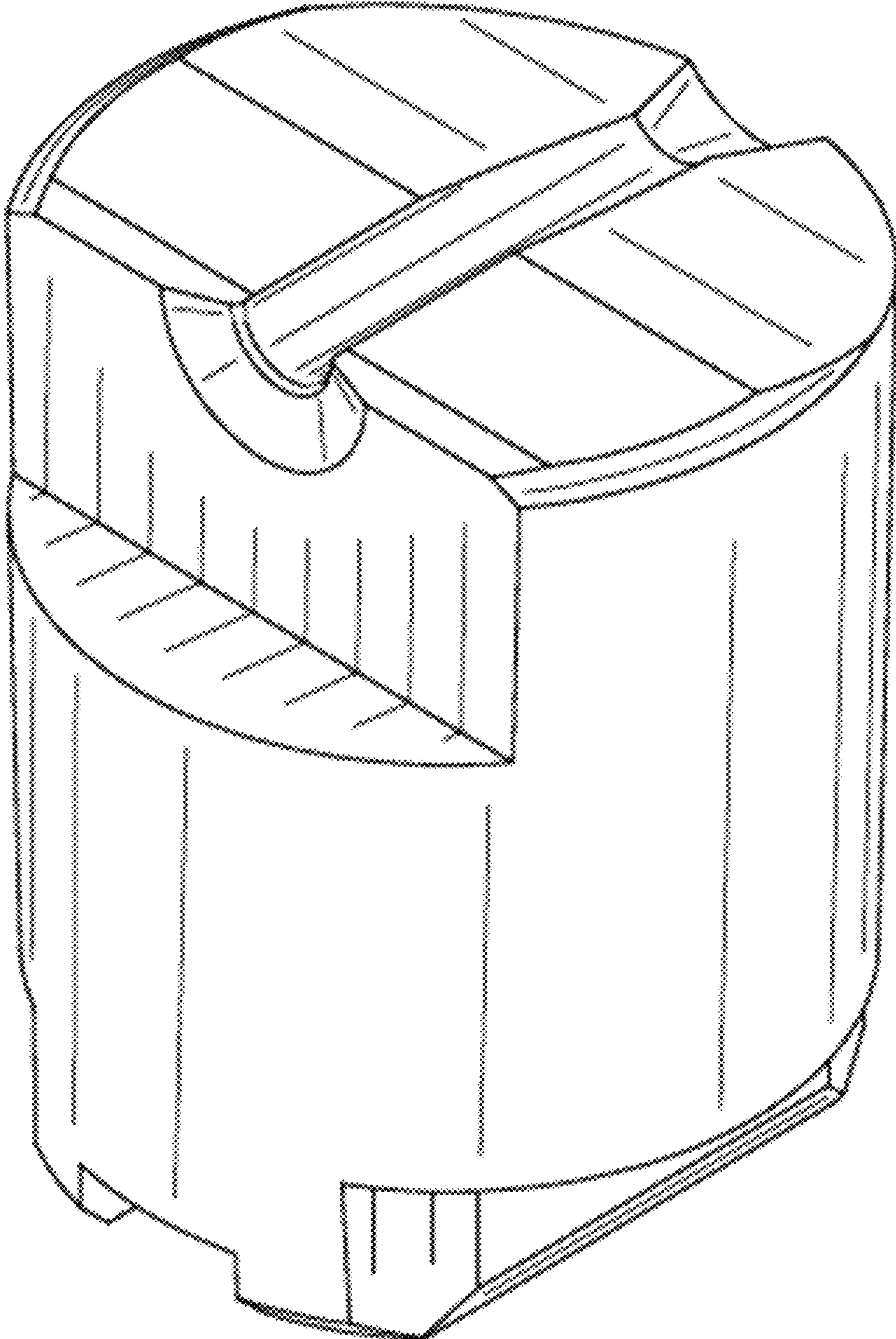
**DESCRIPTION**

1. Part of machine for molding and casting nails and screws FIG. 1.1 is a top perspective view of a part of machine for molding and casting nails and screws; FIG. 1.2 is a bottom perspective view thereof; FIG. 1.3 is a right side view thereof; FIG. 1.4 is a left side view thereof; FIG. 1.5 is a front view thereof; FIG. 1.6 is a rear view thereof; FIG. 1.7 is a bottom view thereof; and FIG. 1.8 is a top view thereof.

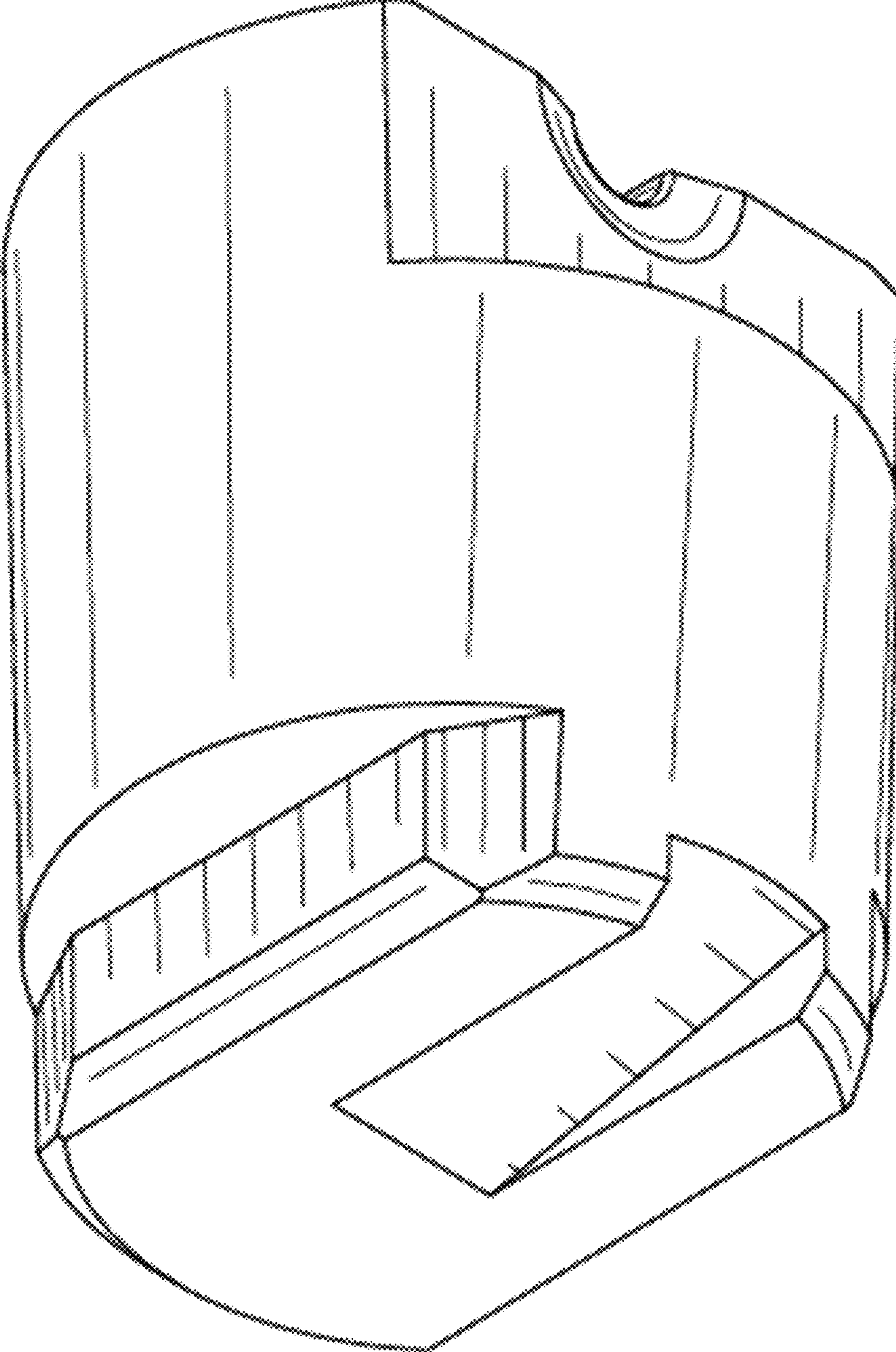
**1 Claim, 8 Drawing Sheets**



1.1

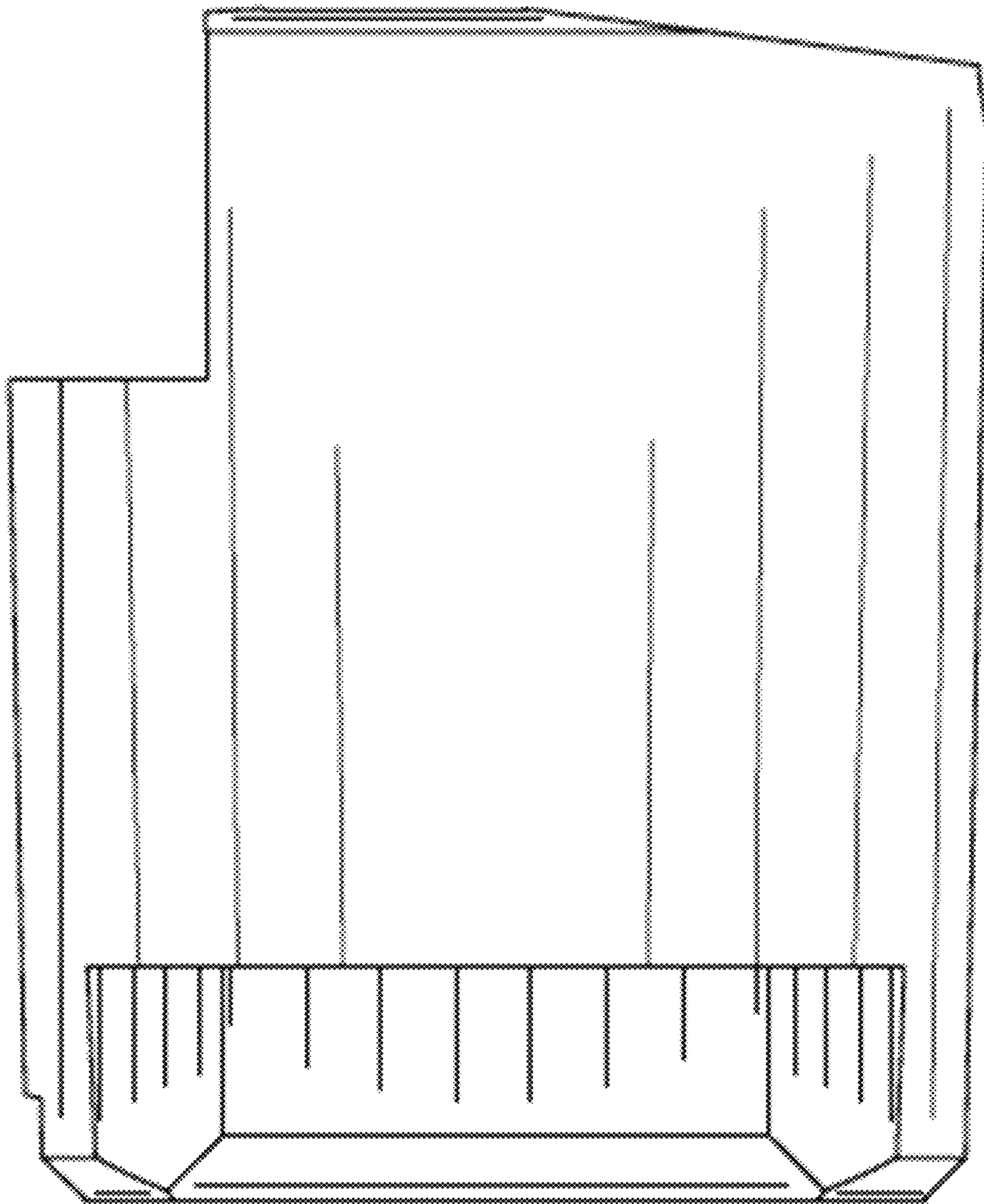


1.2

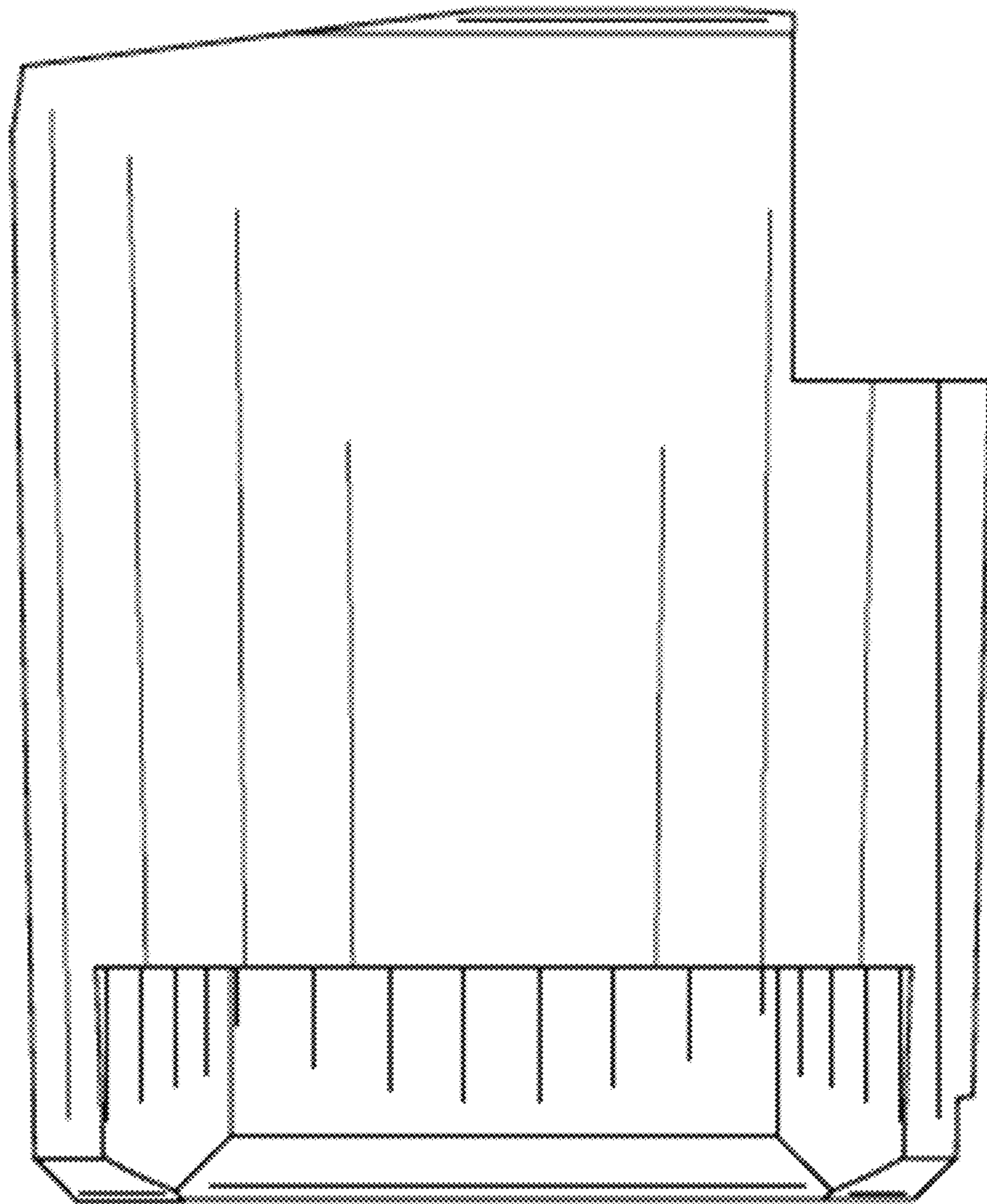




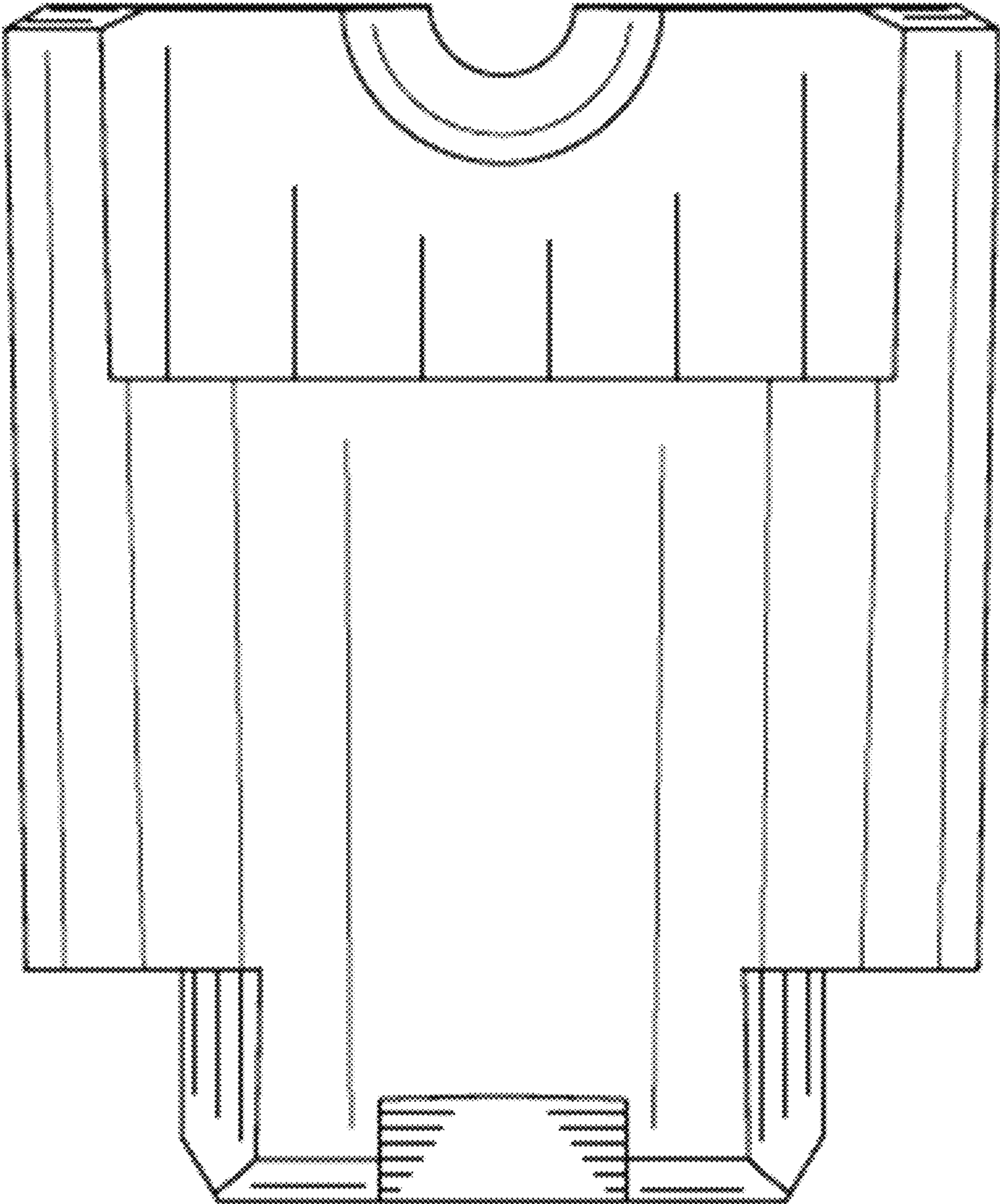
1.3



1.4

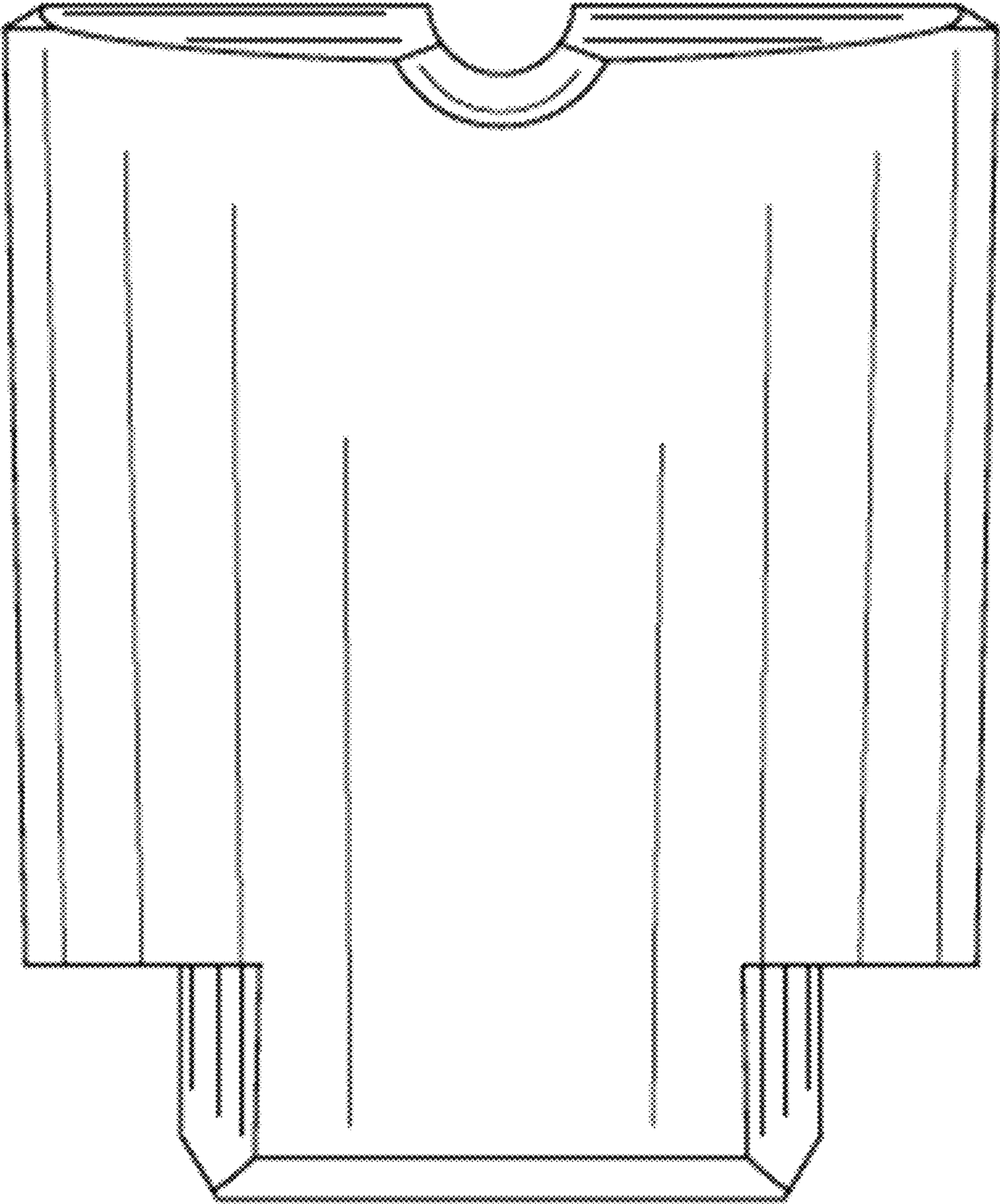


1.5

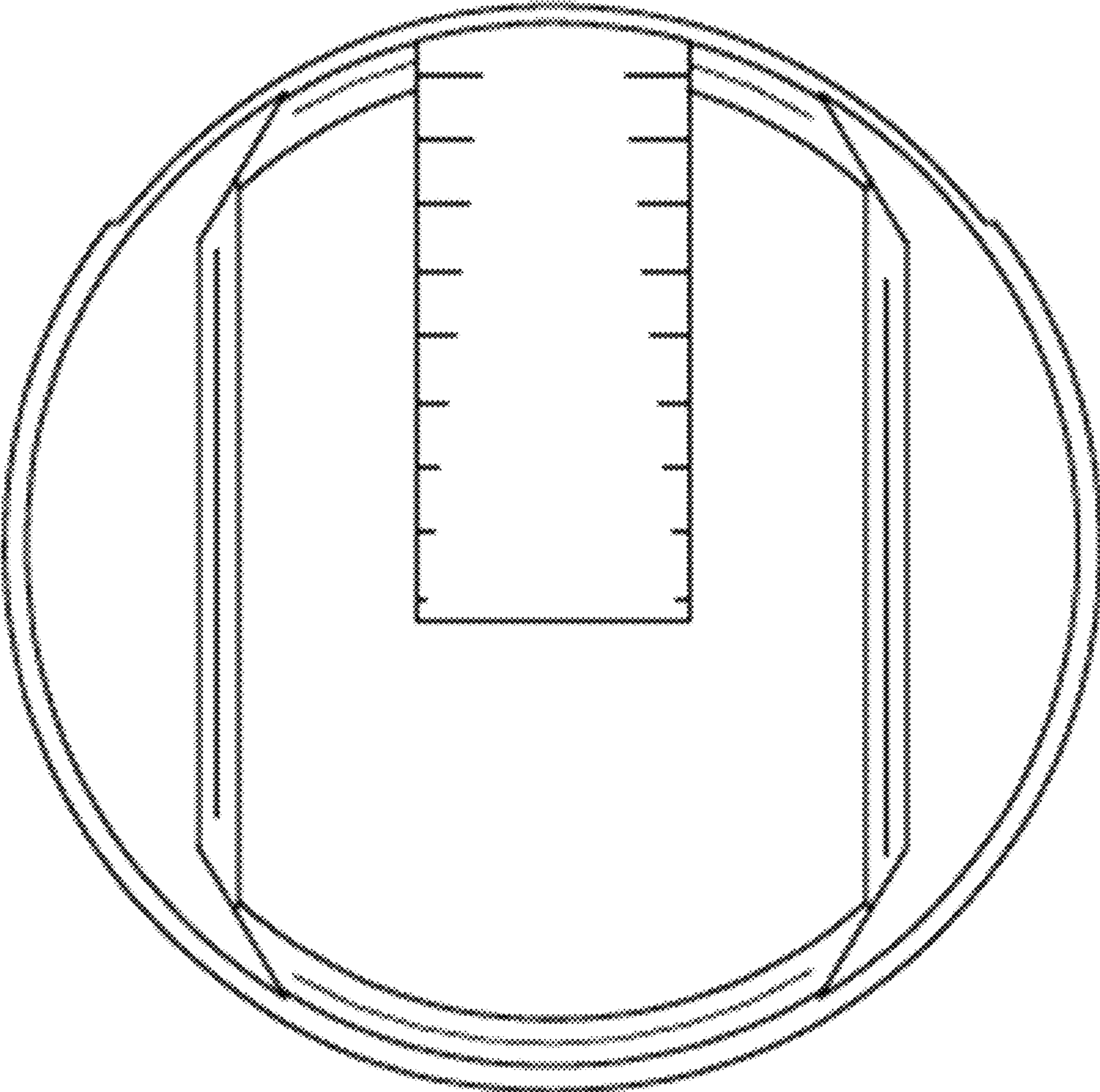




1.6



1.7





1.8

