



US00D921719S

(12) **United States Design Patent**
Quinlan et al.

(10) **Patent No.:** **US D921,719 S**
(45) **Date of Patent:** **** Jun. 8, 2021**

(54) **CONCRETE BLOCK MOLD**

FOREIGN PATENT DOCUMENTS

(71) Applicant: **SolaBlock LLC**, Easthampton, MA (US)

EM 2503631 1/2015
EP 3095185 11/2016

(Continued)

(72) Inventors: **Patrick John Adrian Quinlan**, Hadley, MA (US); **Jason Michael Laverty**, Westfield, MA (US); **Richard Delmont Hicks**, Easthampton, MA (US); **Nathan Galloway**, Hadley, MA (US)

Primary Examiner — Khawaja Anwar

(74) *Attorney, Agent, or Firm* — Fish & Richardson P.C.

(73) Assignee: **SolaBlock LLC**, Easthampton, MA (US)

(57) **CLAIM**

We claim the ornamental design for a concrete block mold, as shown and described.

(**) Term: **15 Years**

DESCRIPTION

(21) Appl. No.: **29/674,041**

(22) Filed: **Dec. 19, 2018**

(51) **LOC (13) Cl.** **15-03**

(52) **U.S. Cl.**
USPC **D15/136**

(58) **Field of Classification Search**
USPC D15/135, 136, 138
CPC B33Y 10/00; B33Y 30/00; B33Y 40/00;
B33Y 50/02; B33Y 80/00; B33Y 70/00;
B33Y 50/00

See application file for complete search history.

(56) **References Cited**

U.S. PATENT DOCUMENTS

1,601,389 A * 9/1926 Gent E04G 11/46
249/30
1,705,201 A * 3/1929 Nagel B28B 7/06
249/161
2,555,455 A * 6/1951 Platt B28B 7/168
249/168

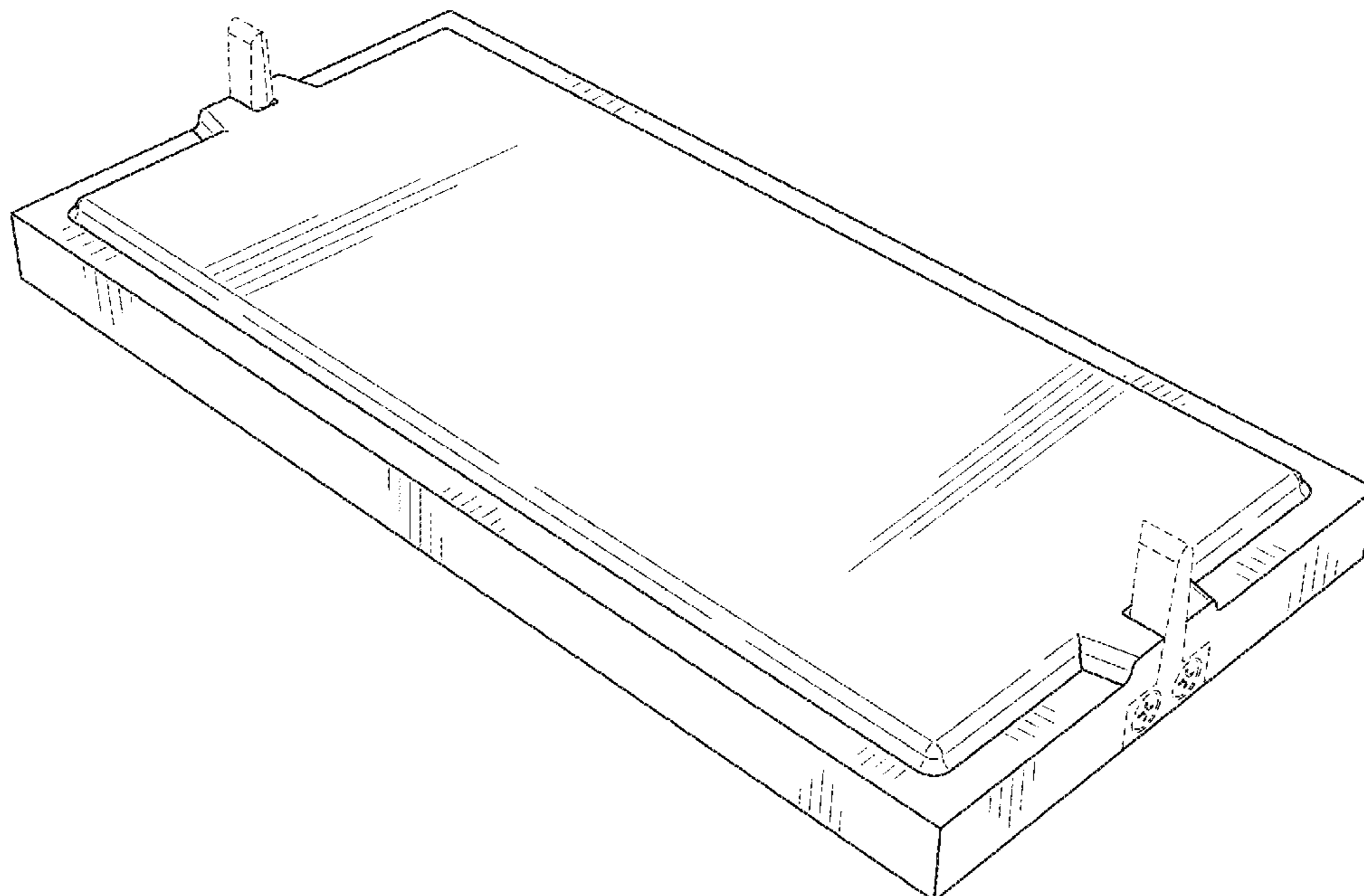
(Continued)

FIG. 1 is a perspective view of a concrete block mold.
FIG. 2 is a front view of the concrete block mold of FIG. 1.
FIG. 3 is a back view of the concrete block mold of FIG. 1.
FIG. 4 is a left view of the concrete block mold of FIG. 1.
FIG. 5 is a right view of the concrete block mold of FIG. 1.
FIG. 6 is a top view of the concrete block mold of FIG. 1.
FIG. 7 is a bottom view of the concrete block mold of FIG. 1.

FIG. 8 is a perspective view of a concrete block mold.
FIG. 9 is a front view of the concrete block mold of FIG. 8.
FIG. 10 is a back view of the concrete block mold of FIG. 8.
FIG. 11 is a left view of the concrete block mold of FIG. 8.
FIG. 12 is a right view of the concrete block mold of FIG. 8.
FIG. 13 is a top view of the concrete block mold of FIG. 8;
and,
FIG. 14 is a bottom view of the concrete block mold of FIG. 8.

The broken lines shown in the figures represent portions of the block mold that form no part of the claimed design.

1 Claim, 9 Drawing Sheets



(56)

References Cited

U.S. PATENT DOCUMENTS

3,789,912 A * 2/1974 Rusk B22C 7/04
164/243
D253,349 S * 11/1979 Jennings D15/136
D288,328 S * 2/1987 Scott D15/136
5,667,190 A * 9/1997 Scott B28B 19/0061
249/16
D657,405 S * 4/2012 Kinzalow D15/136
D663,329 S * 7/2012 Hammer D15/136
D676,070 S * 2/2013 Hammer D15/136
D679,300 S * 4/2013 Hammer D15/136
D716,219 S 10/2014 Quinlan et al.
9,059,348 B1 6/2015 Quinlan et al.
9,590,557 B2 3/2017 Quinlan et al.
2015/0280640 A1 10/2015 Quinlan et al.
2017/0179878 A1 6/2017 Quinlan et al.
2019/0165720 A1 5/2019 Quinlan et al.

FOREIGN PATENT DOCUMENTS

EP 3459172 3/2019
JP H0295919 A 4/1990
WO WO2015/109186 7/2015
WO WO 2017/201133 11/2017

* cited by examiner

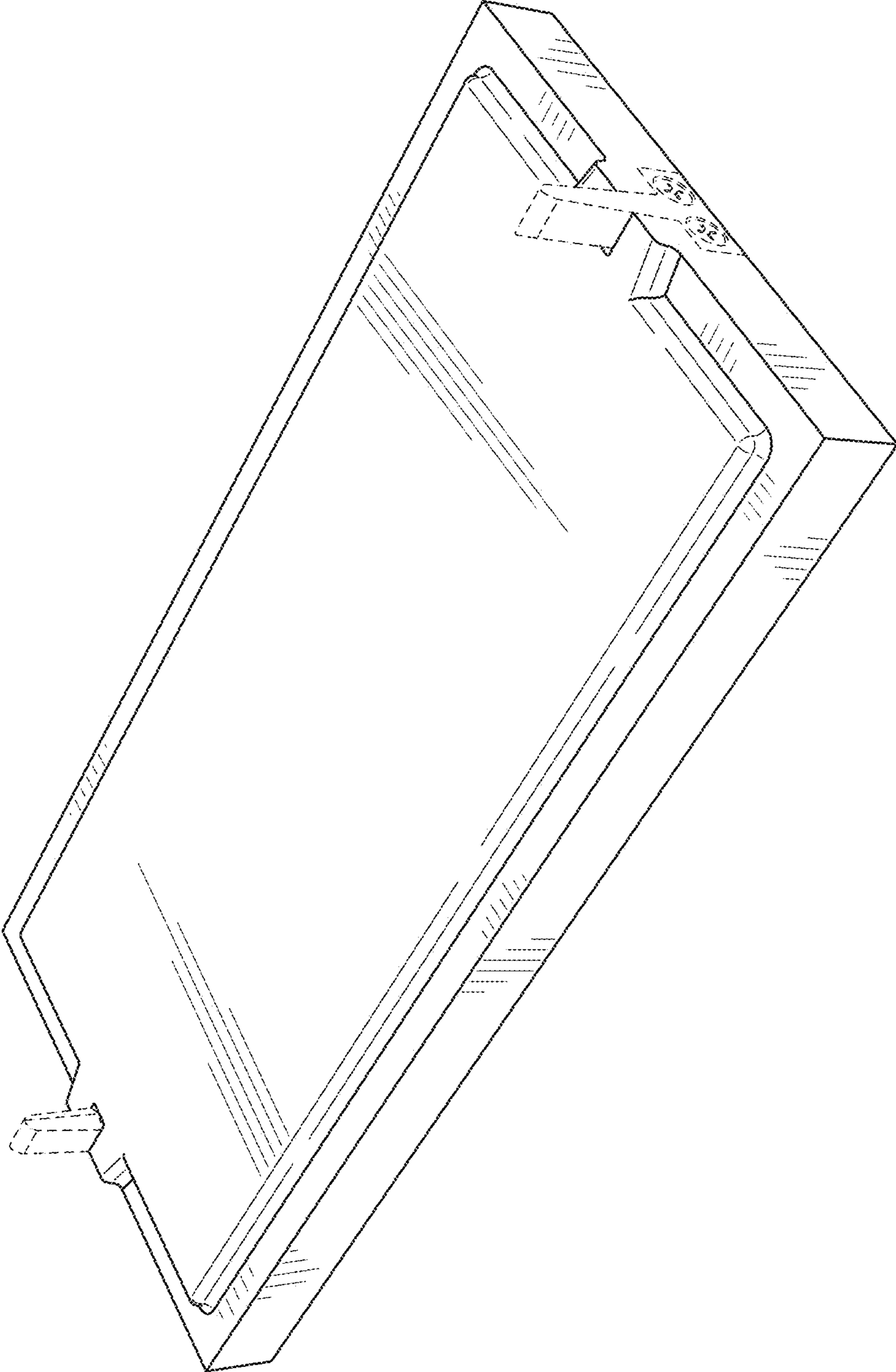


FIG. 1

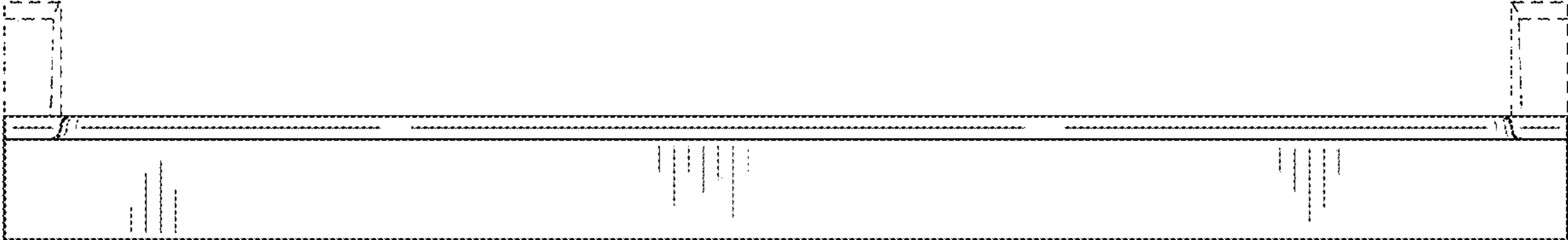


FIG. 2

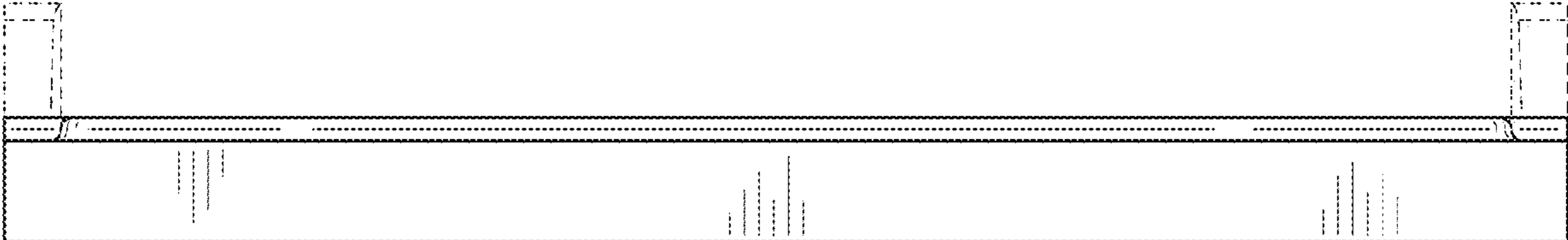


FIG. 3

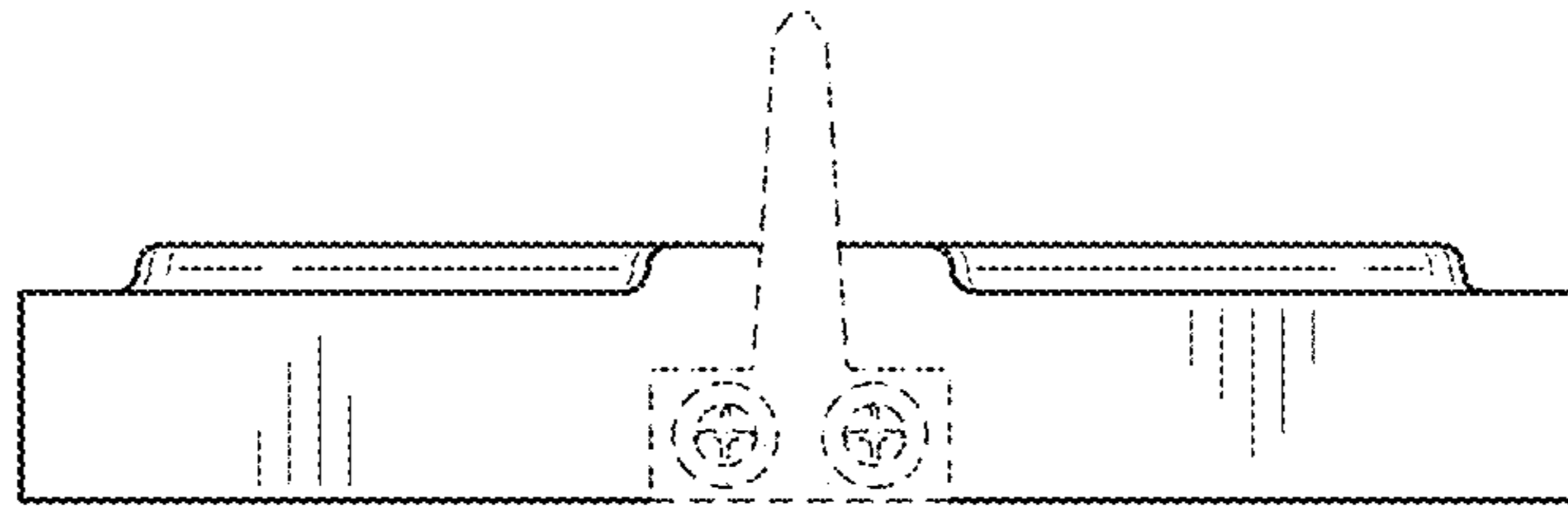


FIG. 4

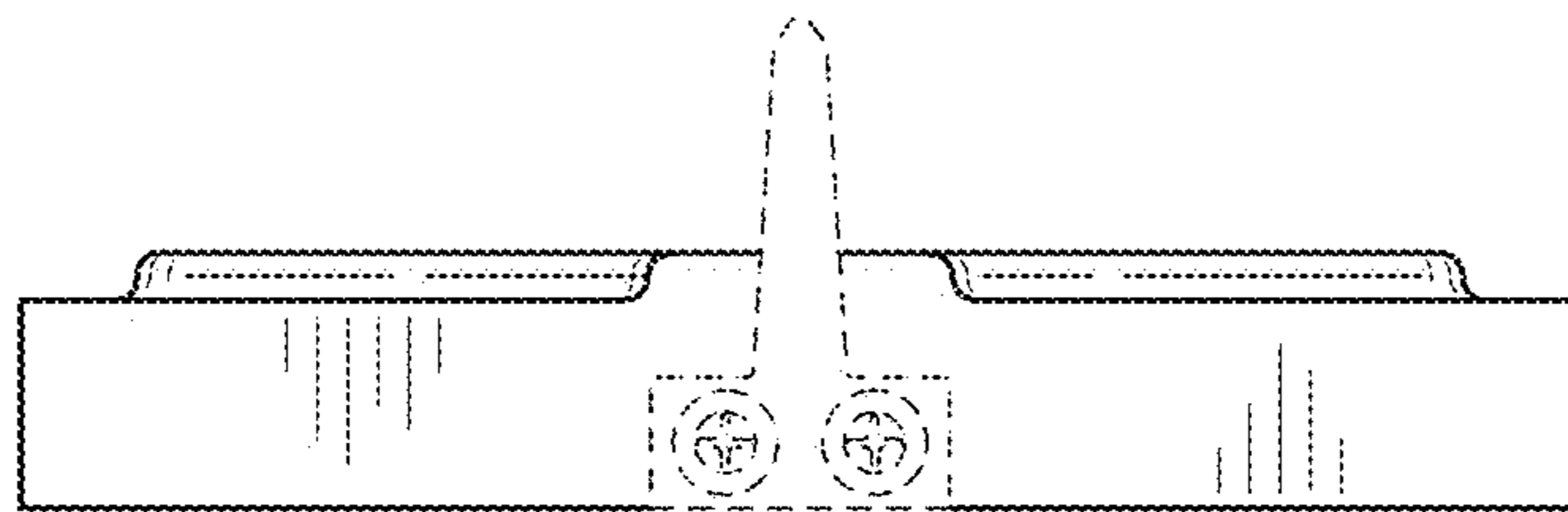


FIG. 5

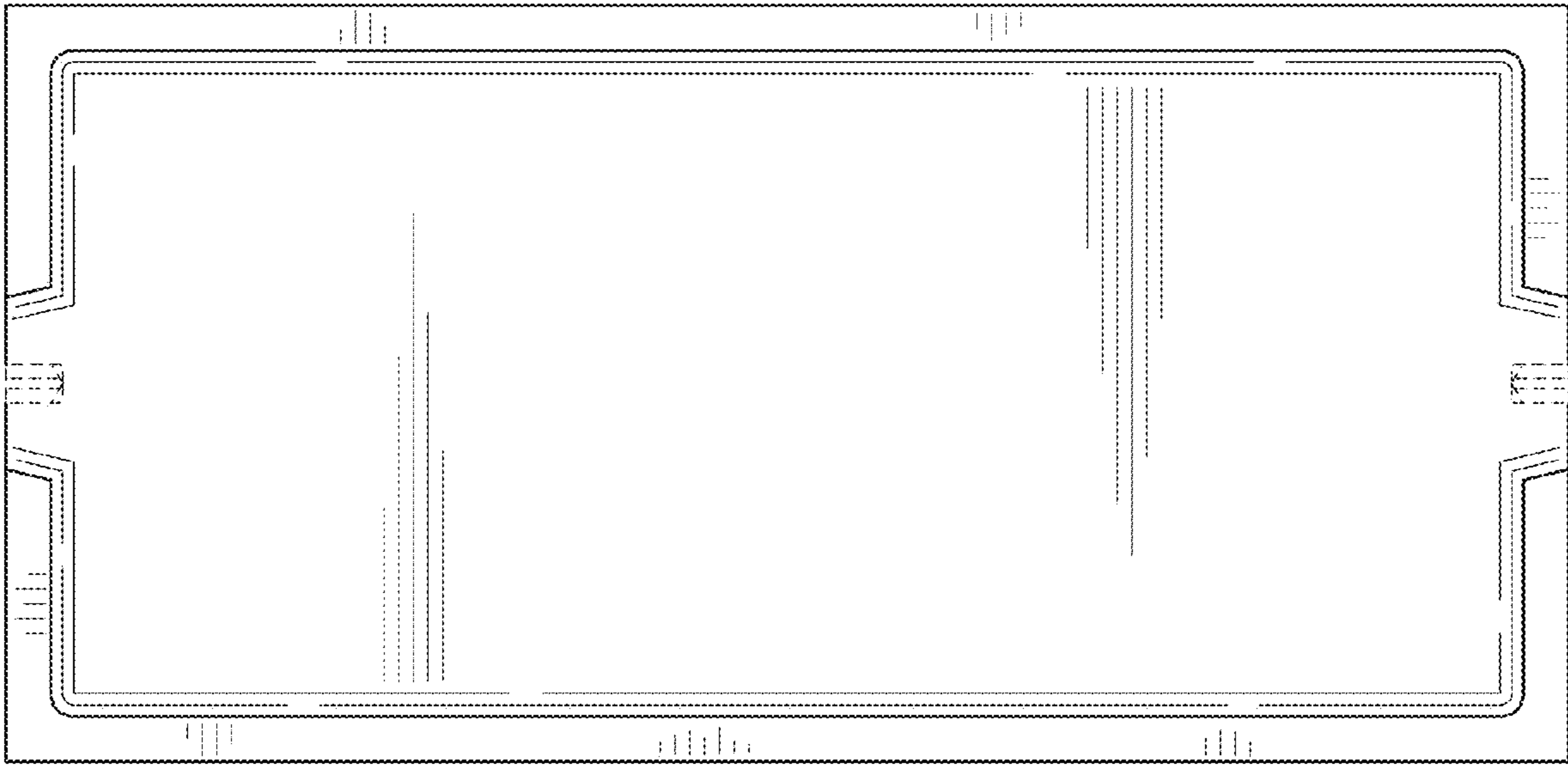


FIG. 6

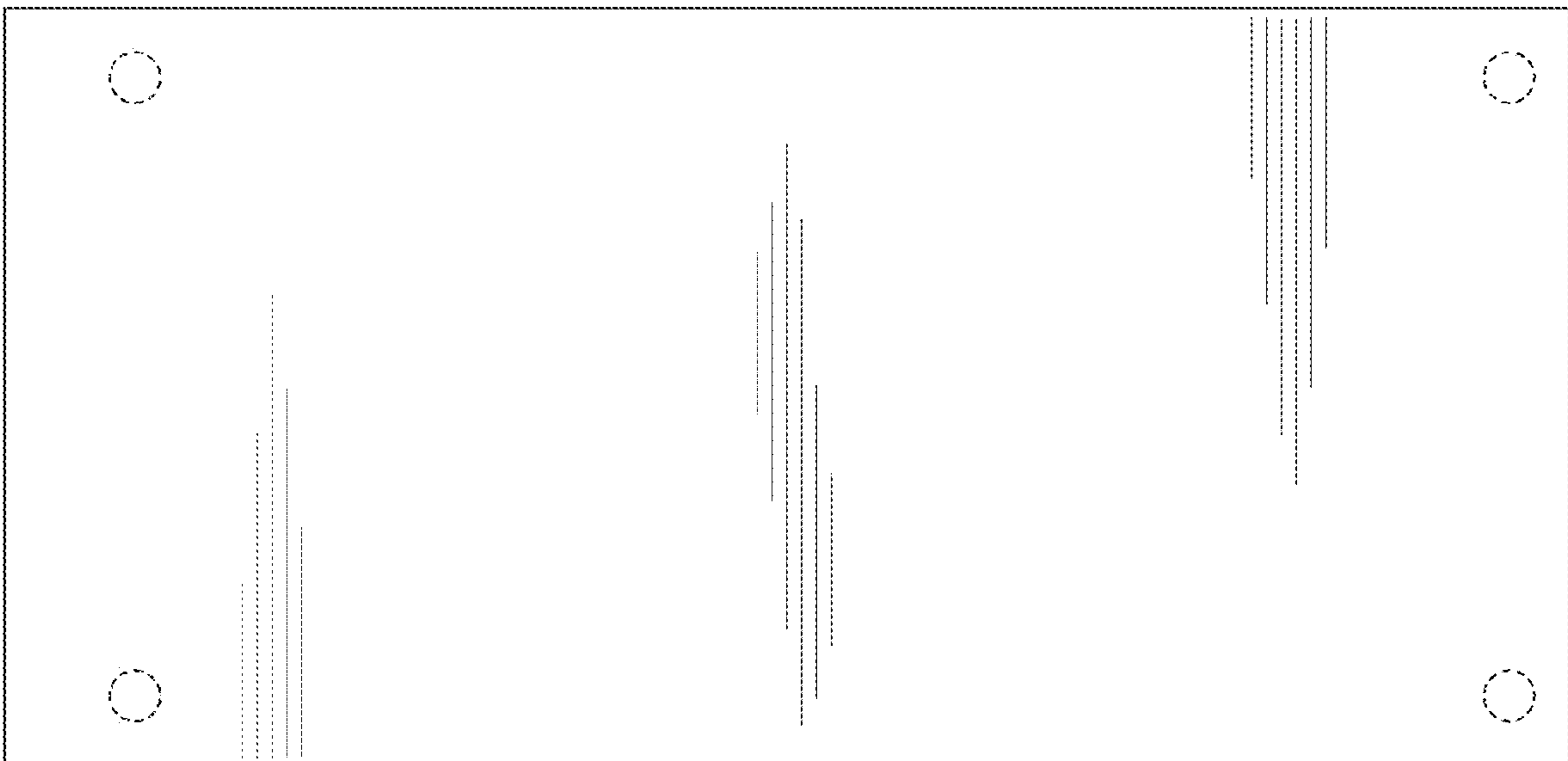


FIG. 7

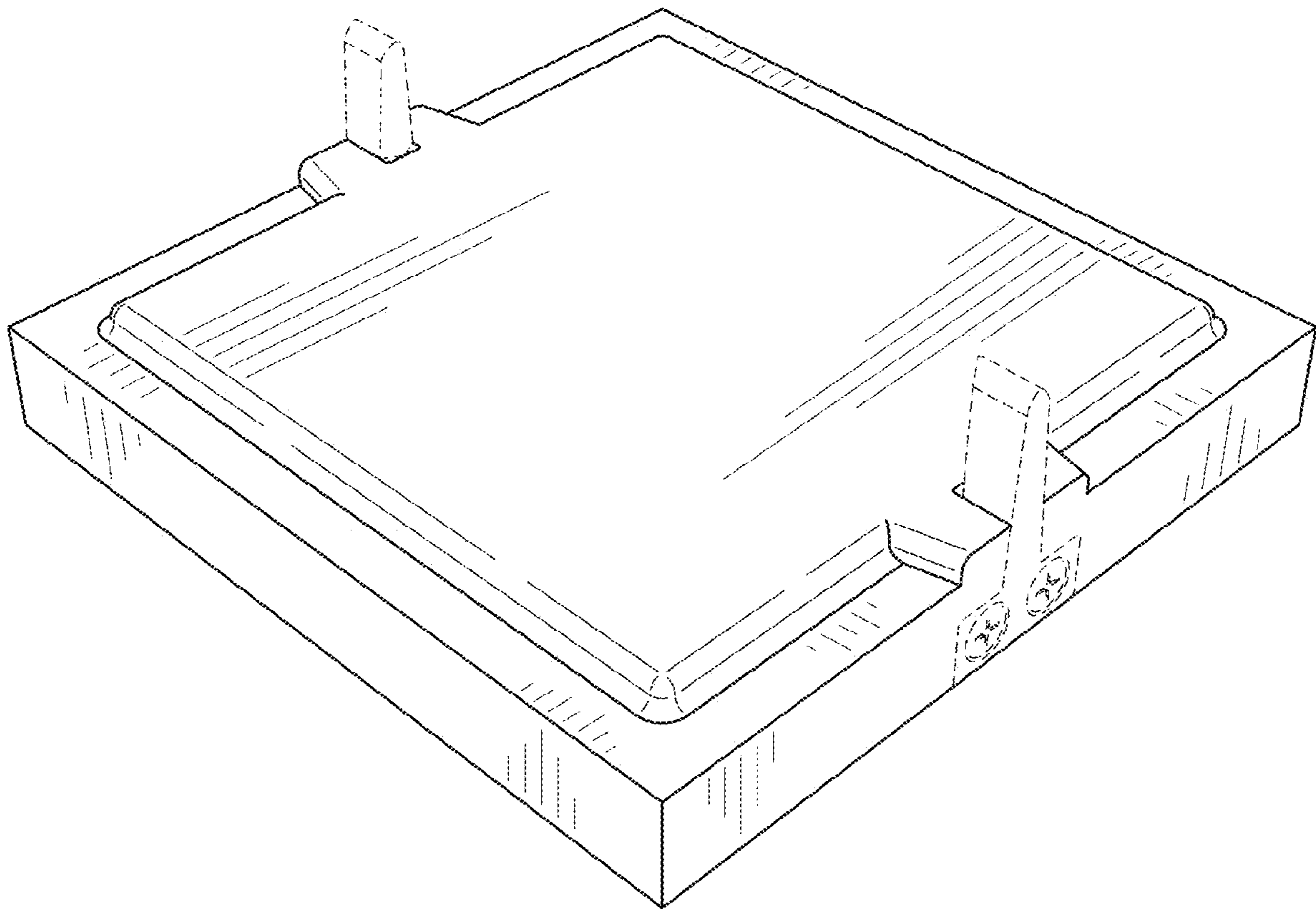


FIG. 8

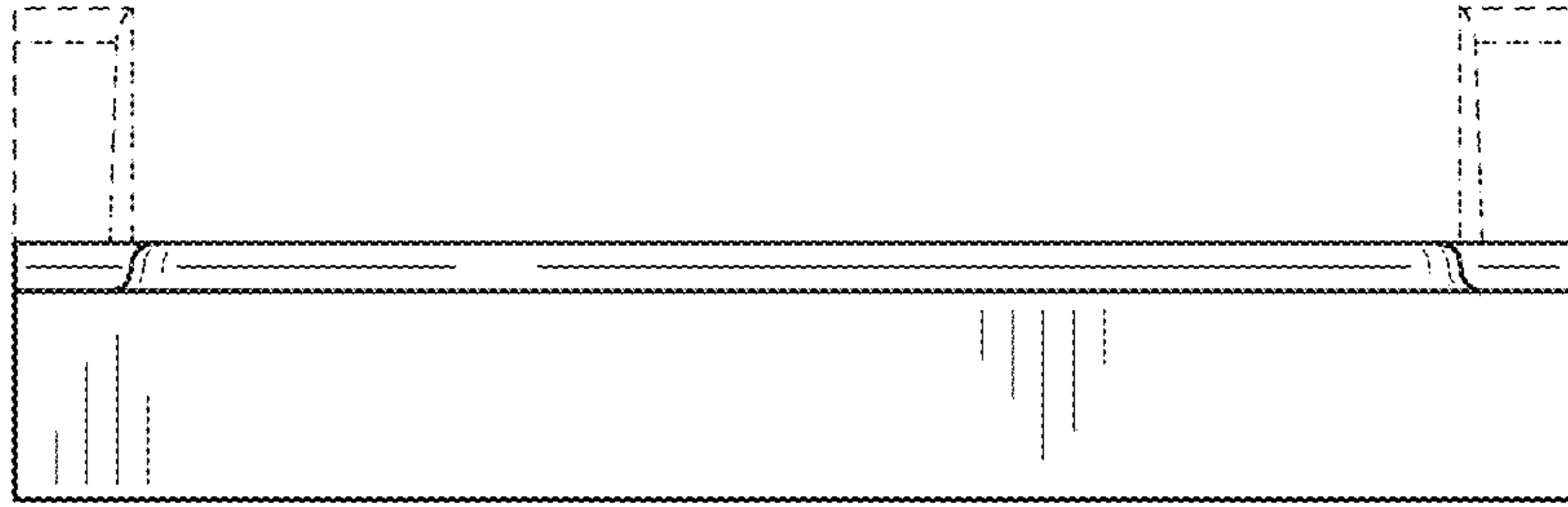


FIG. 9

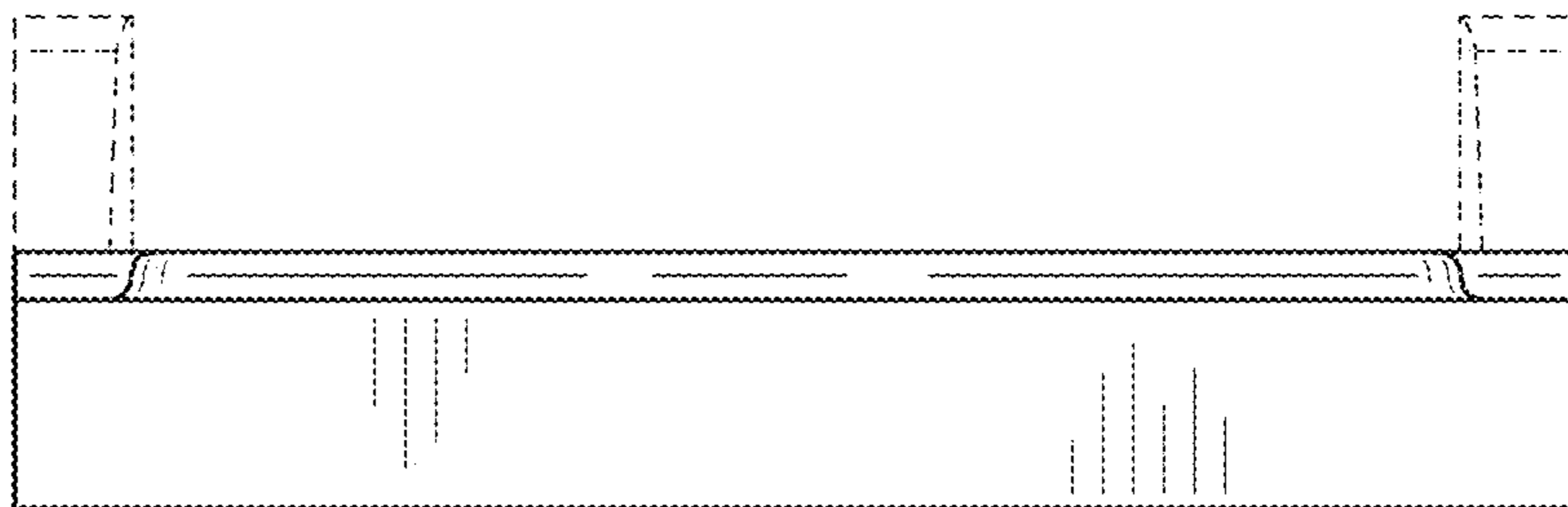


FIG. 10

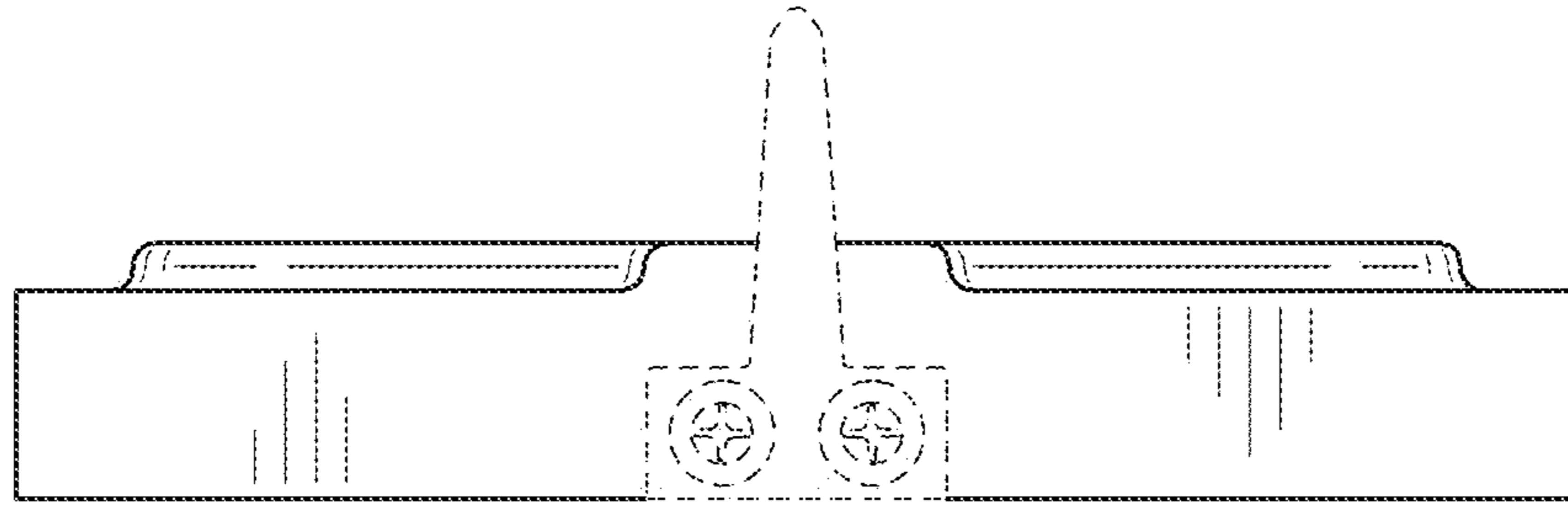


FIG. 11

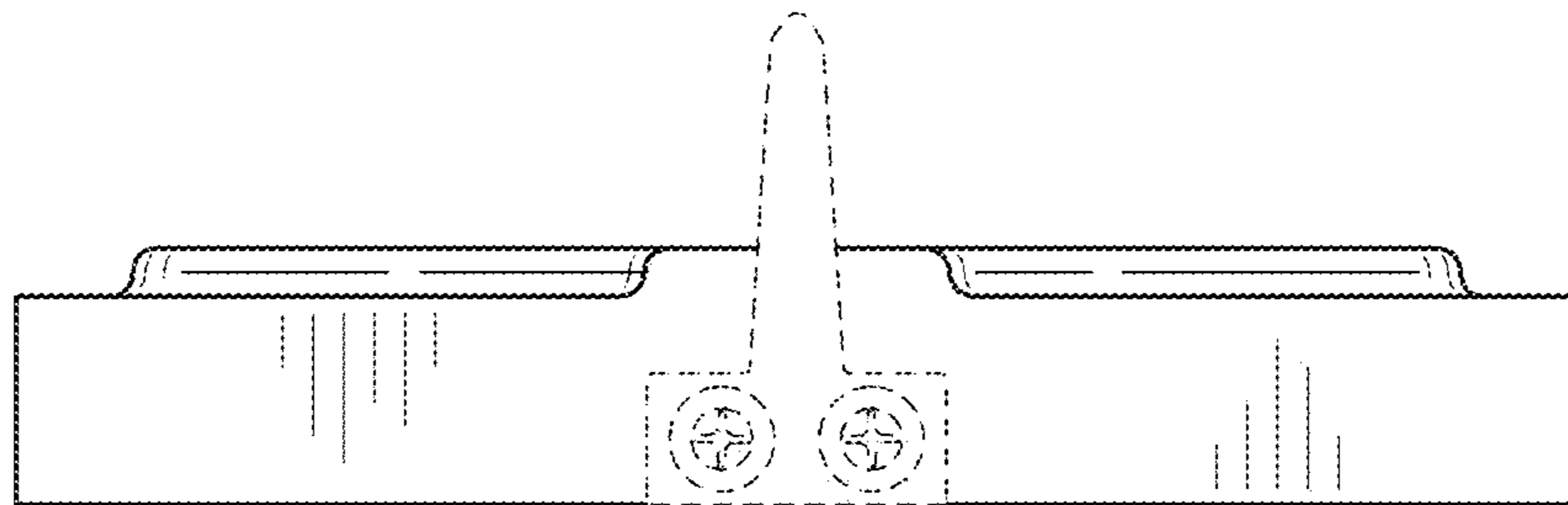


FIG. 12

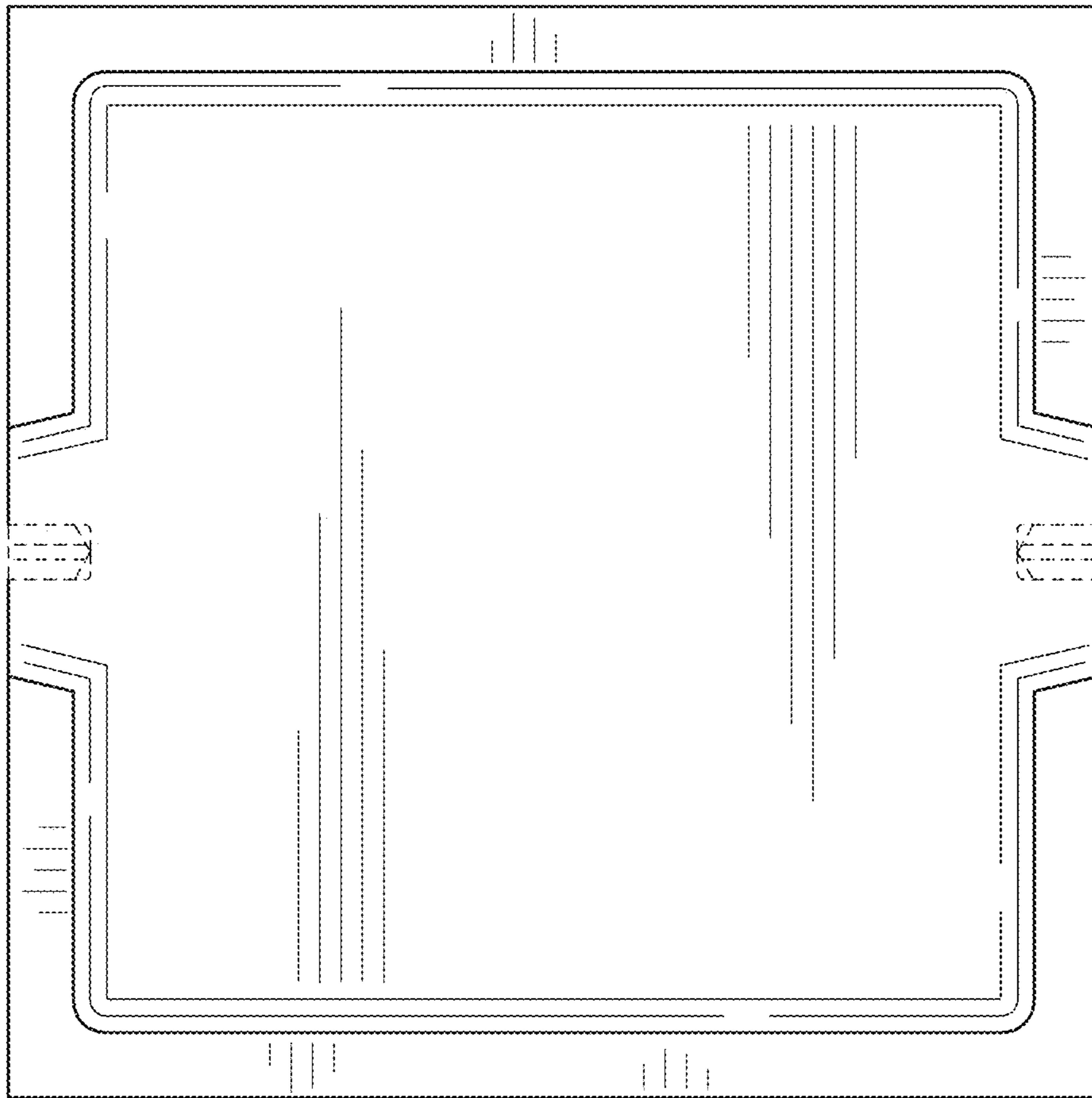


FIG. 13

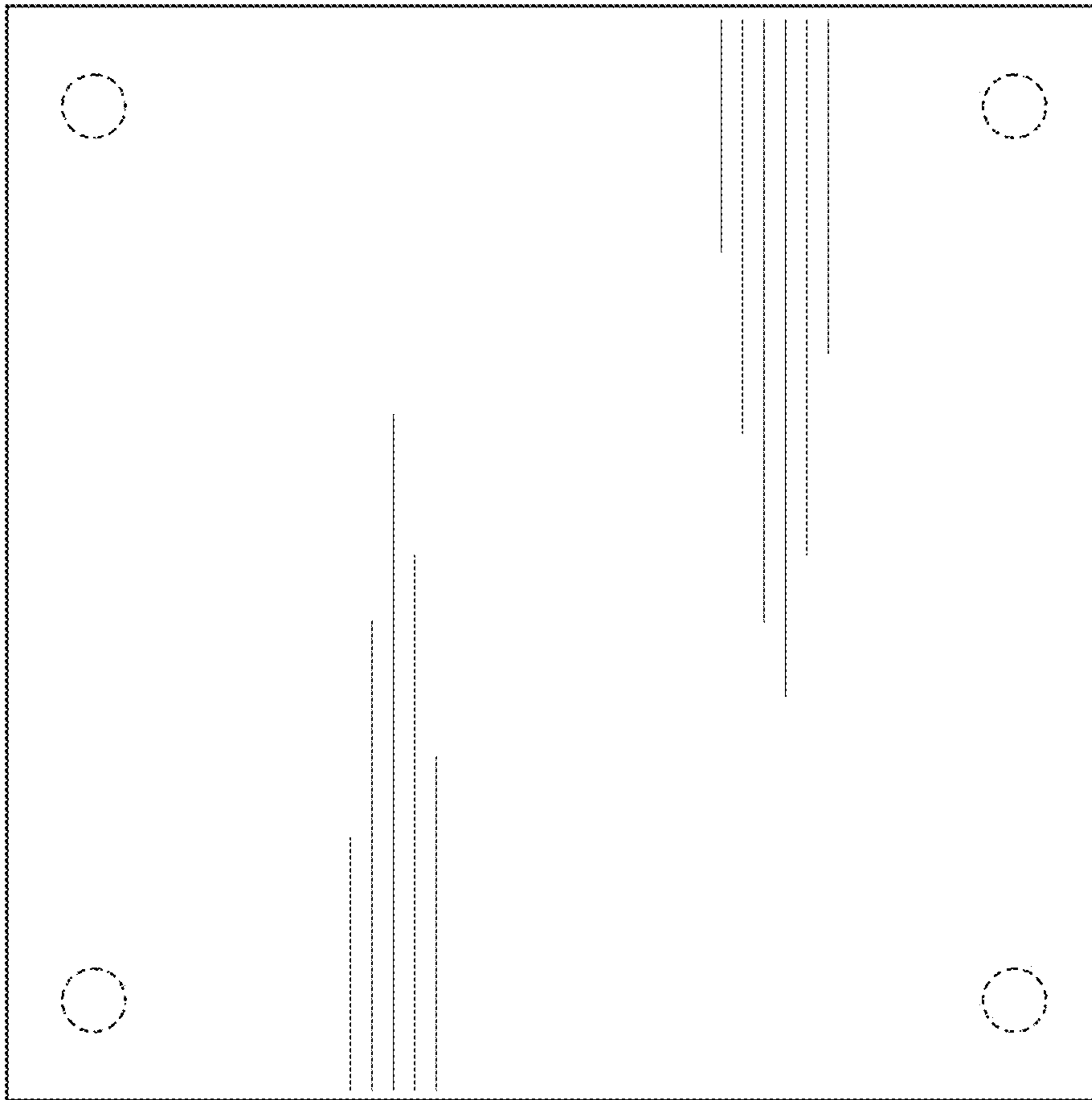


FIG. 14