



US00D921718S

(12) **United States Design Patent** (10) **Patent No.:** **US D921,718 S**  
**Clark, III et al.** (45) **Date of Patent:** **\*\* Jun. 8, 2021**

(54) **3D PRINTER**

(71) Applicant: **XEROX CORPORATION**, Norwalk, CT (US)

(72) Inventors: **William T Clark, III**, Pittsford, NY (US); **Stephen F Skrainar**, Penfield, NY (US); **David M Parsons**, Victor, NY (US); **Donald A Brown**, Honeoye Falls, NY (US); **Keith L Willis**, Rochester, NY (US)

(73) Assignee: **XEROX CORPORATION**, Norwalk, CT (US)

(\*\*) Term: **15 Years**

(21) Appl. No.: **29/713,686**

(22) Filed: **Nov. 18, 2019**

(51) **LOC (13) Cl.** ..... **15-09**

(52) **U.S. Cl.**  
USPC ..... **D15/122; D15/135; D18/50**

(58) **Field of Classification Search**  
USPC ..... D12/300, 317; D15/4, 5, 9, 122, 124, D15/127-131, 135, 139-141, 143, 144, D15/199; D23/206, 213, 214, 233-235, D23/245, 249, 257, 259, 260, 270; D8/499; D13/184; D18/50  
CPC ..... B29C 64/20; B29C 64/124; B33Y 30/00; B33Y 70/00  
See application file for complete search history.

(56) **References Cited**

**U.S. PATENT DOCUMENTS**

D734,814 S \* 7/2015 Yeh ..... D18/50  
D757,132 S \* 5/2016 Liu ..... D15/122

D770,545 S \* 11/2016 Olive ..... D15/122  
D777,808 S \* 1/2017 Chang ..... D15/122  
D777,809 S \* 1/2017 Wu ..... D15/122  
D787,574 S \* 5/2017 Lee ..... D15/122  
D801,401 S \* 10/2017 Clark, III ..... D15/122  
D809,574 S \* 2/2018 Lin ..... D15/122  
D836,714 S \* 12/2018 Clark, III ..... D18/57  
D861,746 S \* 10/2019 Clark, III ..... D15/122  
D871,463 S \* 12/2019 Cao ..... D15/122  
D879,850 S \* 3/2020 Wolf ..... D15/199  
D889,535 S \* 7/2020 Chen ..... D18/14  
D895,698 S \* 9/2020 Palmer ..... D15/122

\* cited by examiner

*Primary Examiner* — Michael C Stout  
*Assistant Examiner* — Fritzgerald L Butac

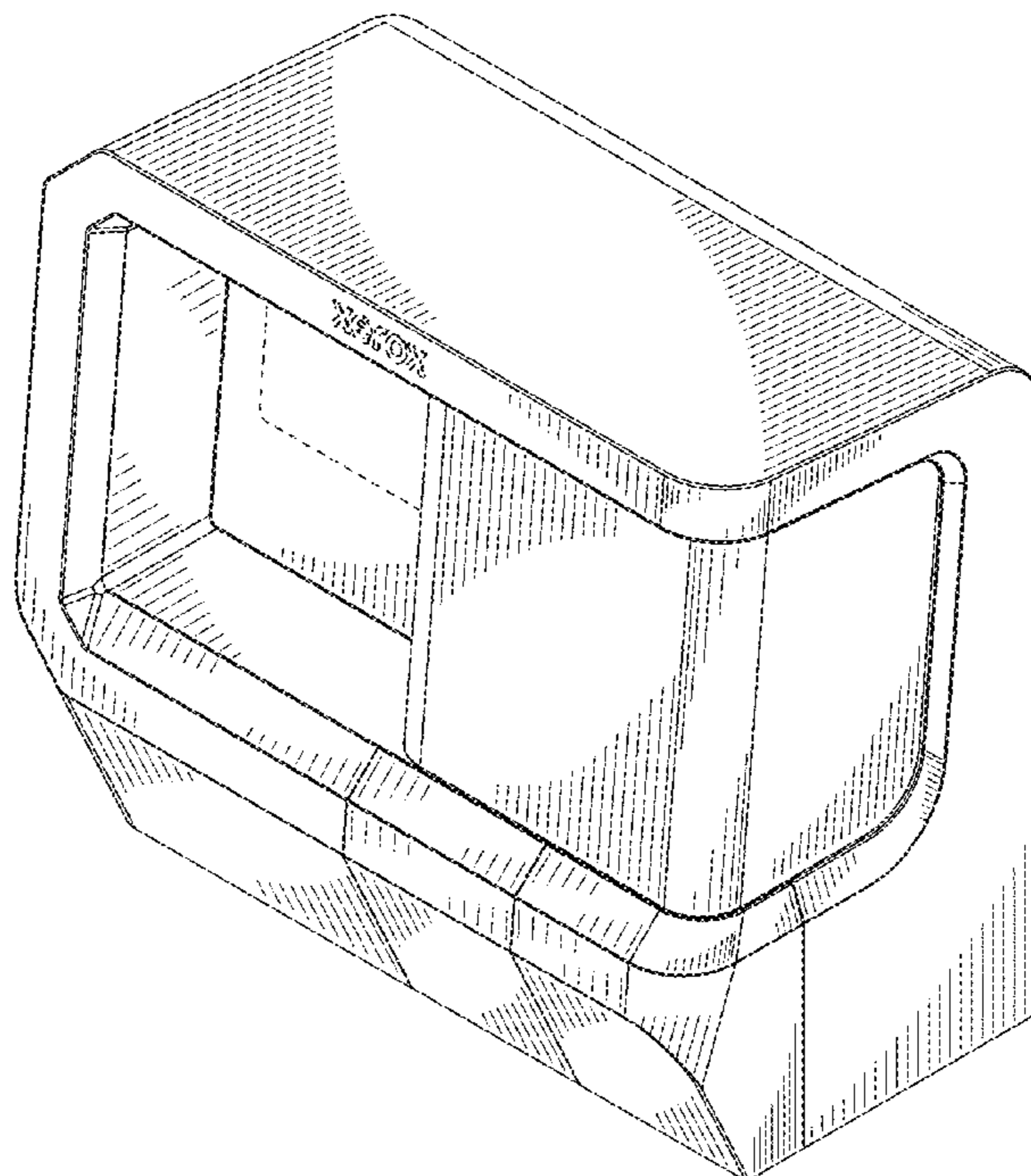
(57) **CLAIM**

The ornamental design for a 3D printer, as shown and described.

**DESCRIPTION**

FIG. 1 is a perspective view from the front of a 3D printer in accordance with the present invention;  
FIG. 2 is a perspective view from the rear thereof;  
FIG. 3 is a front view thereof;  
FIG. 4 is a right side view thereof;  
FIG. 5 is a rear view thereof;  
FIG. 6 is a left side view thereof;  
FIG. 7 is a top plan view thereof; and,  
FIG. 8 is a bottom plan view thereof.  
The broken lines show portions of a 3D printer that form no part of the claimed design.

**1 Claim, 8 Drawing Sheets**



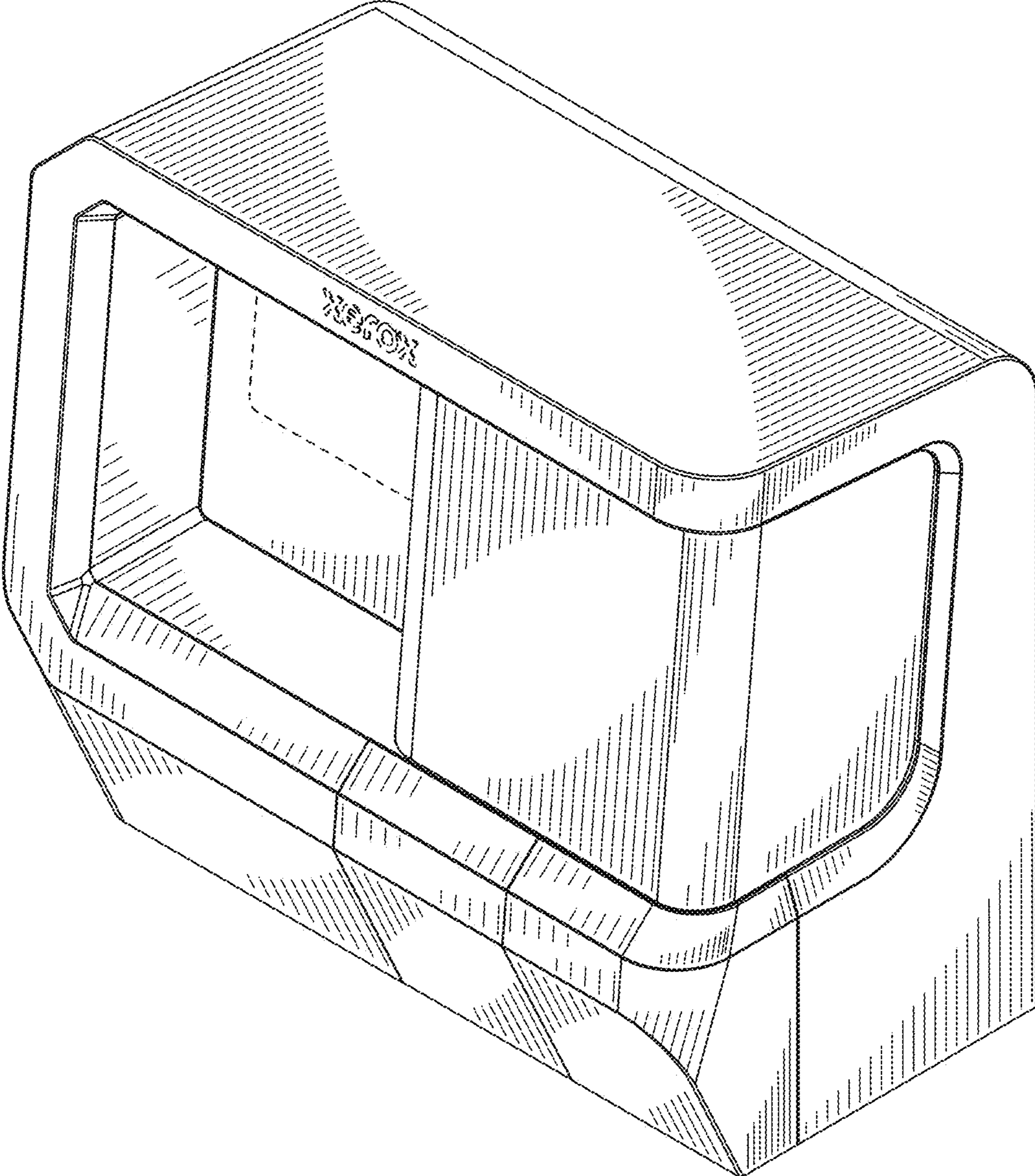


FIG. 1

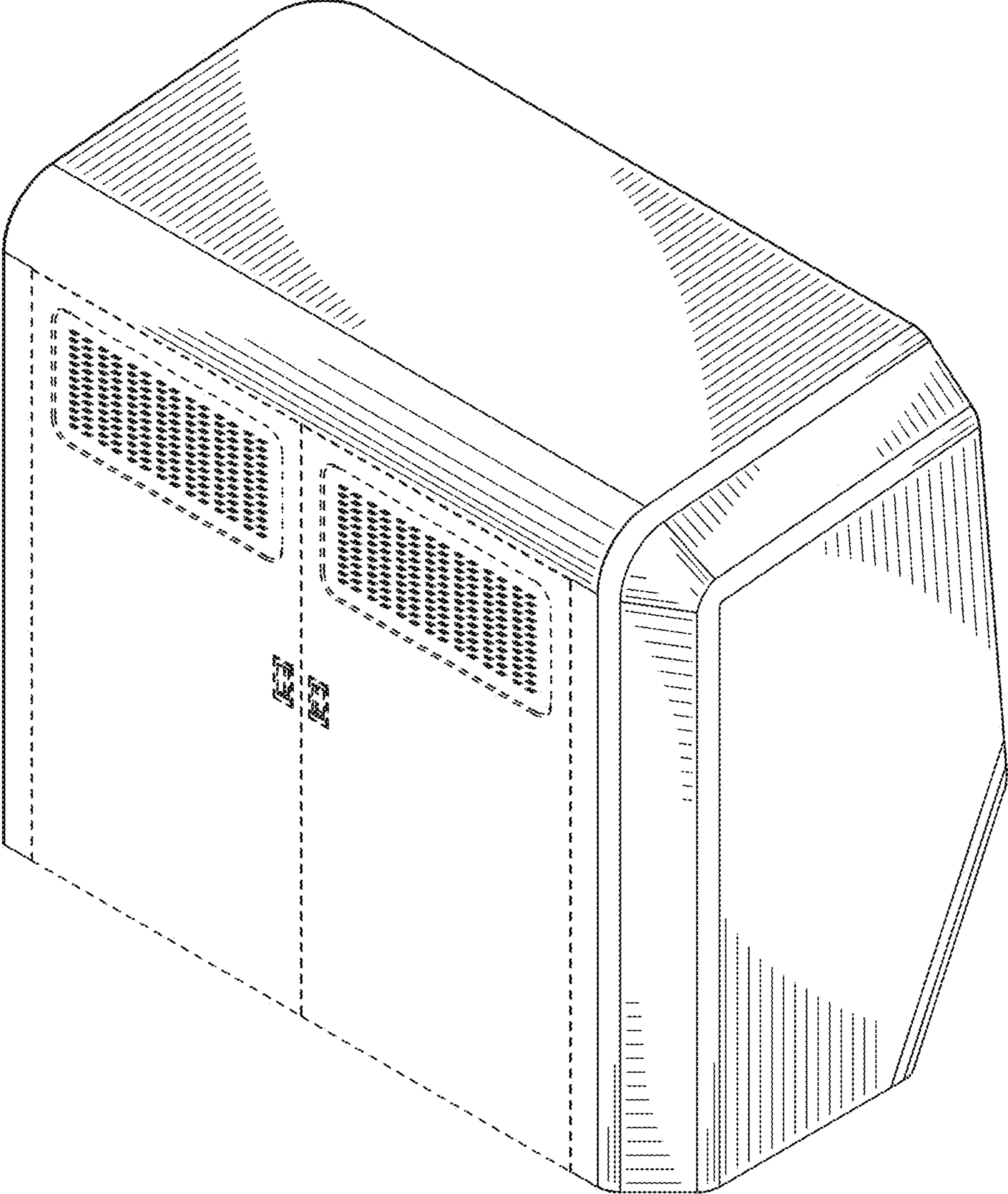


FIG. 2

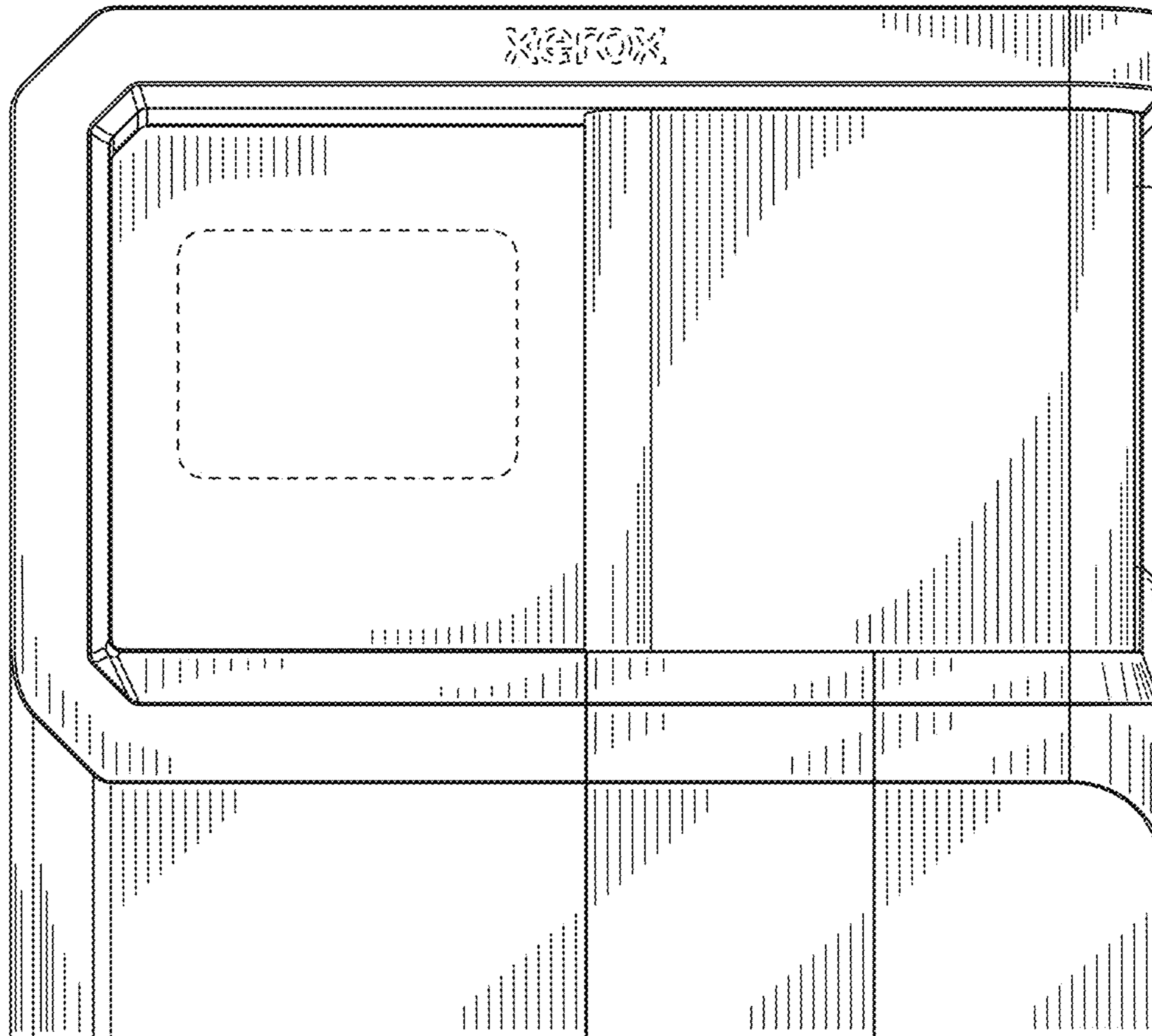


FIG. 3

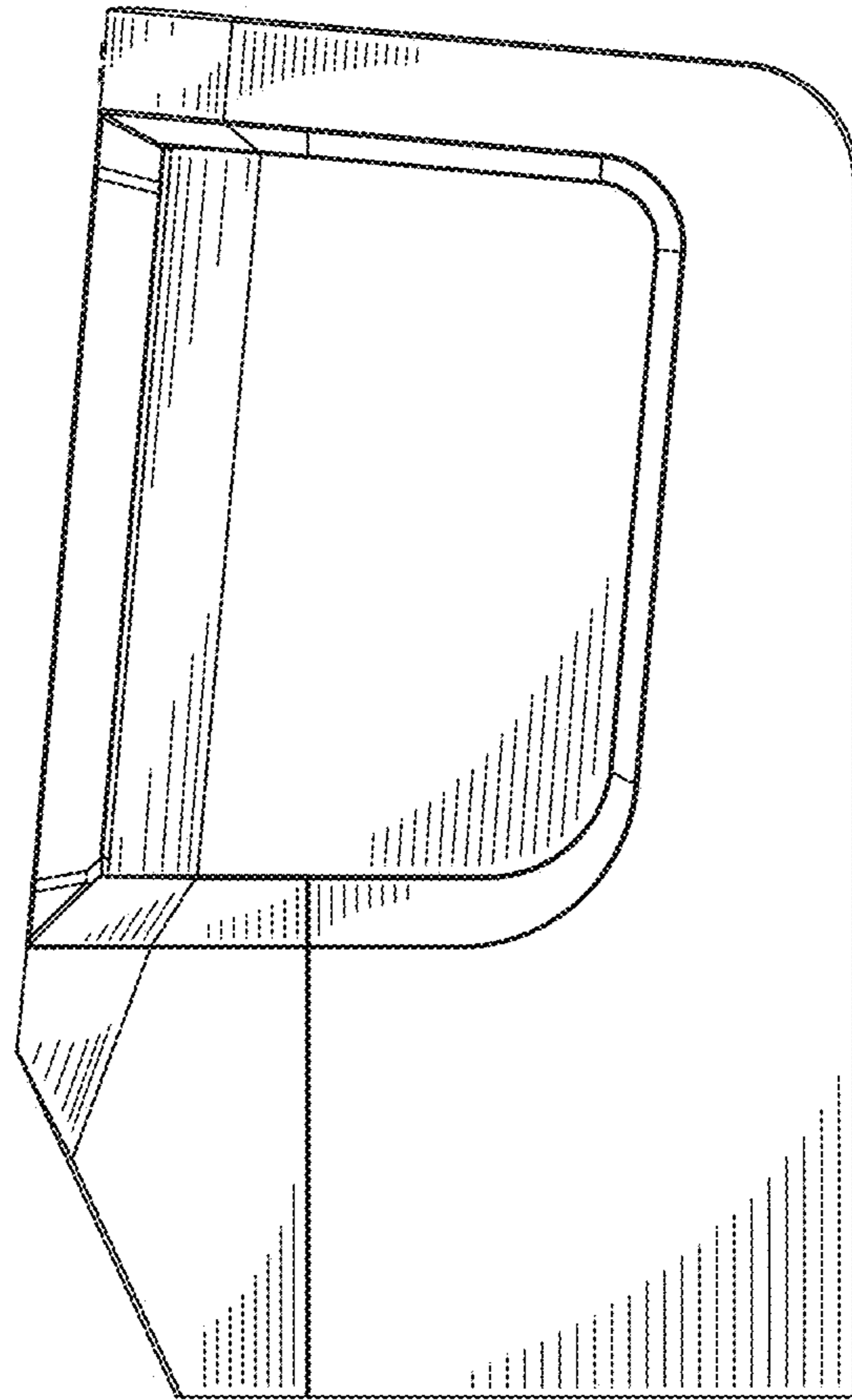


FIG. 4

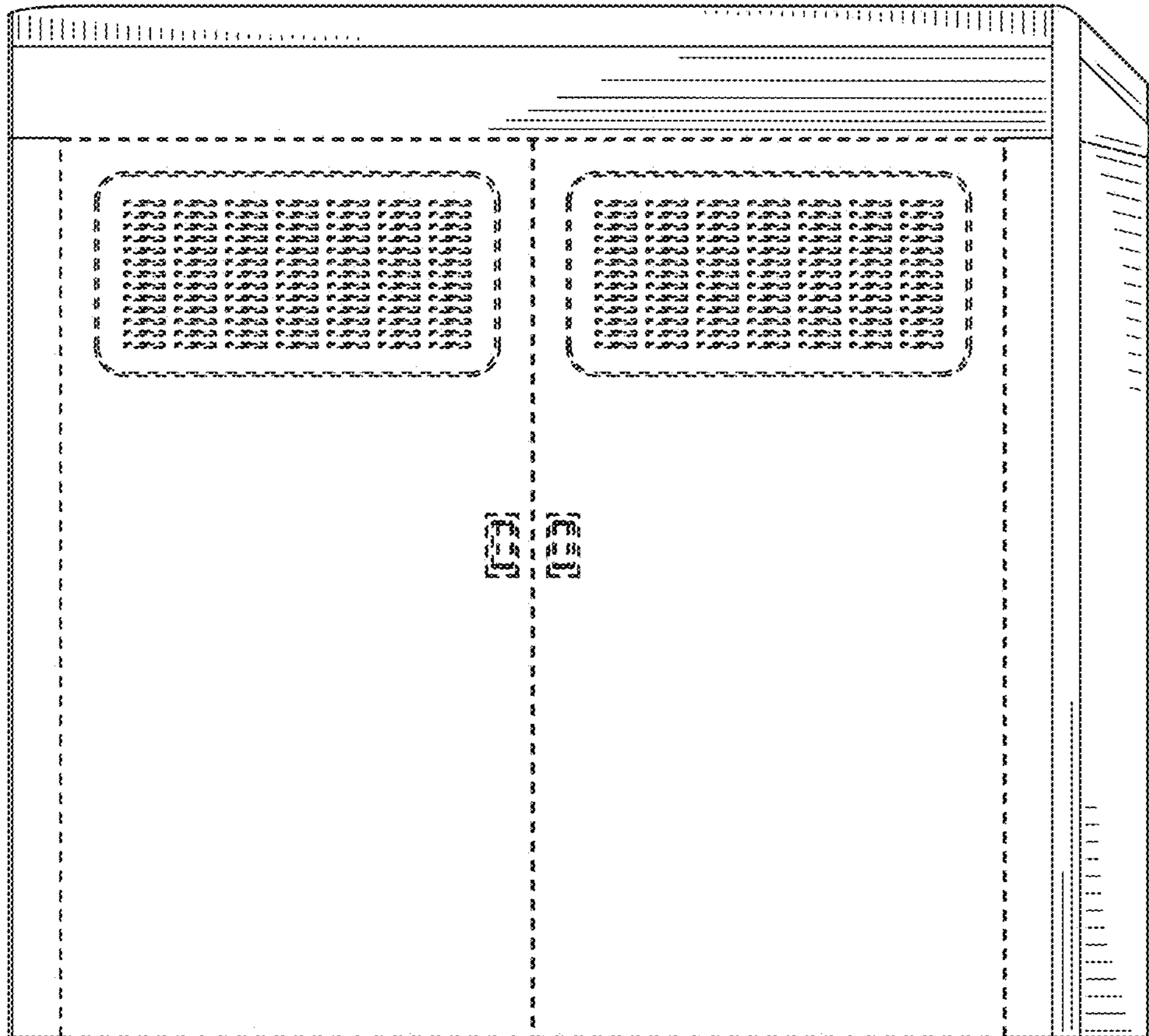


FIG. 5

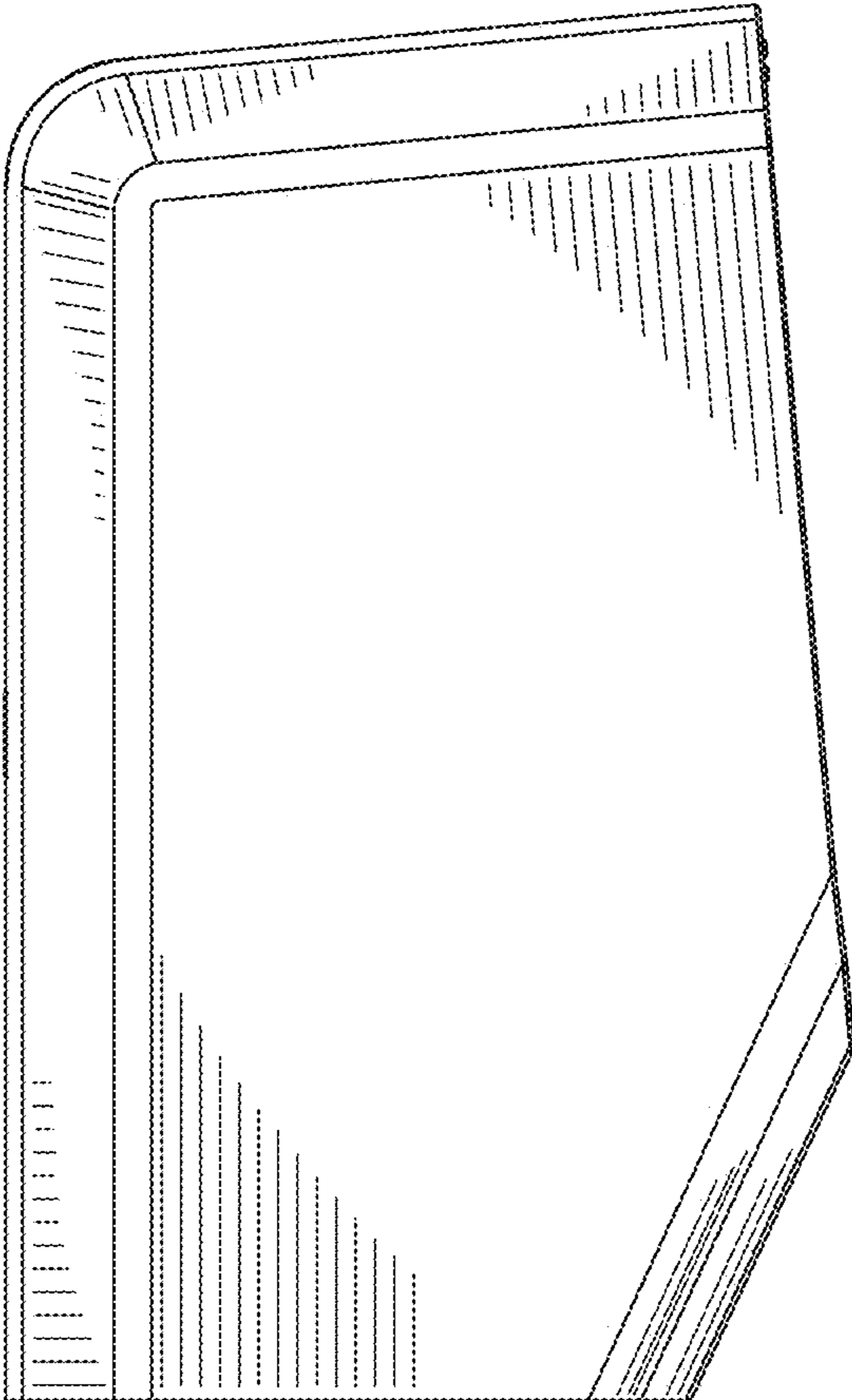


FIG. 6

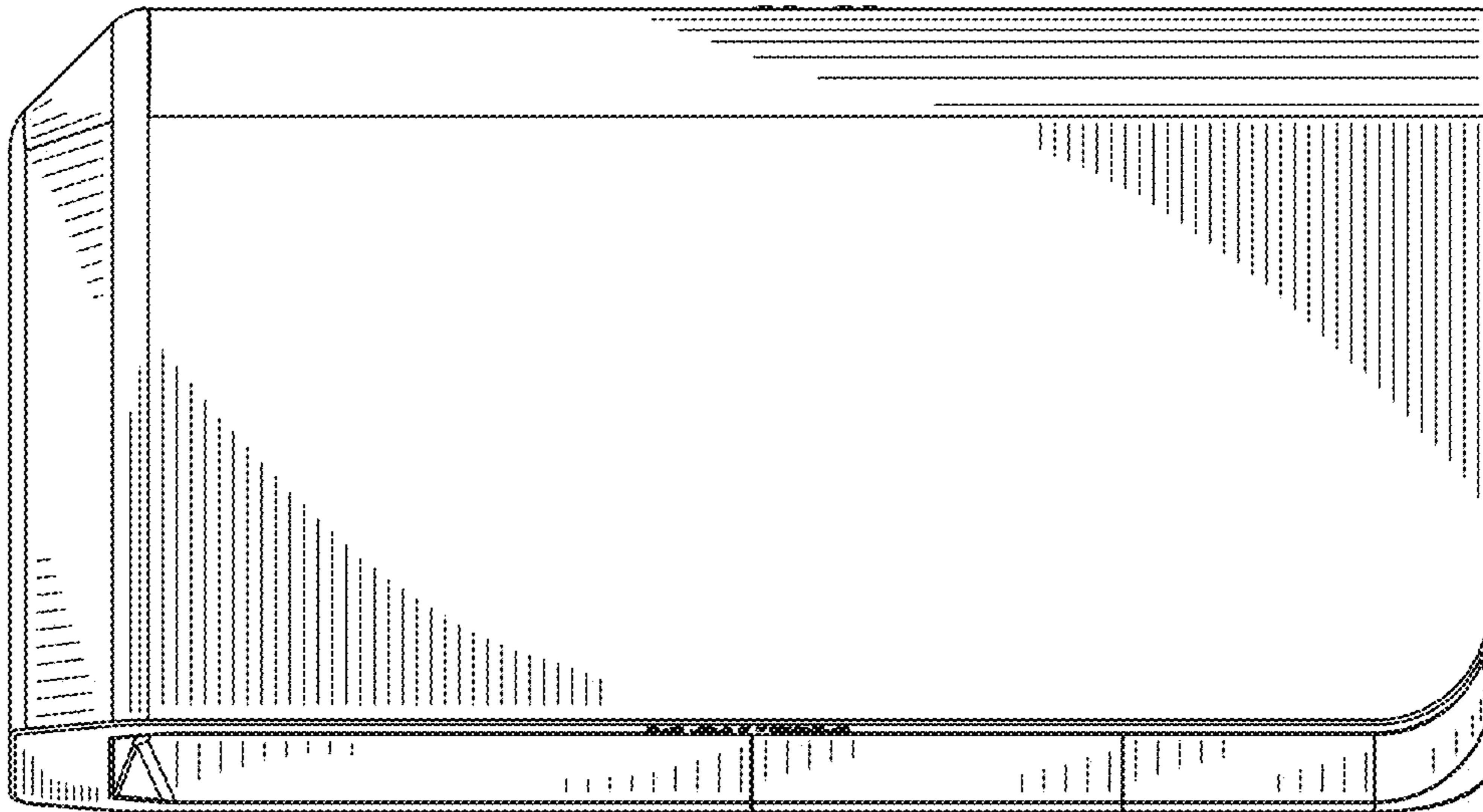


FIG. 7



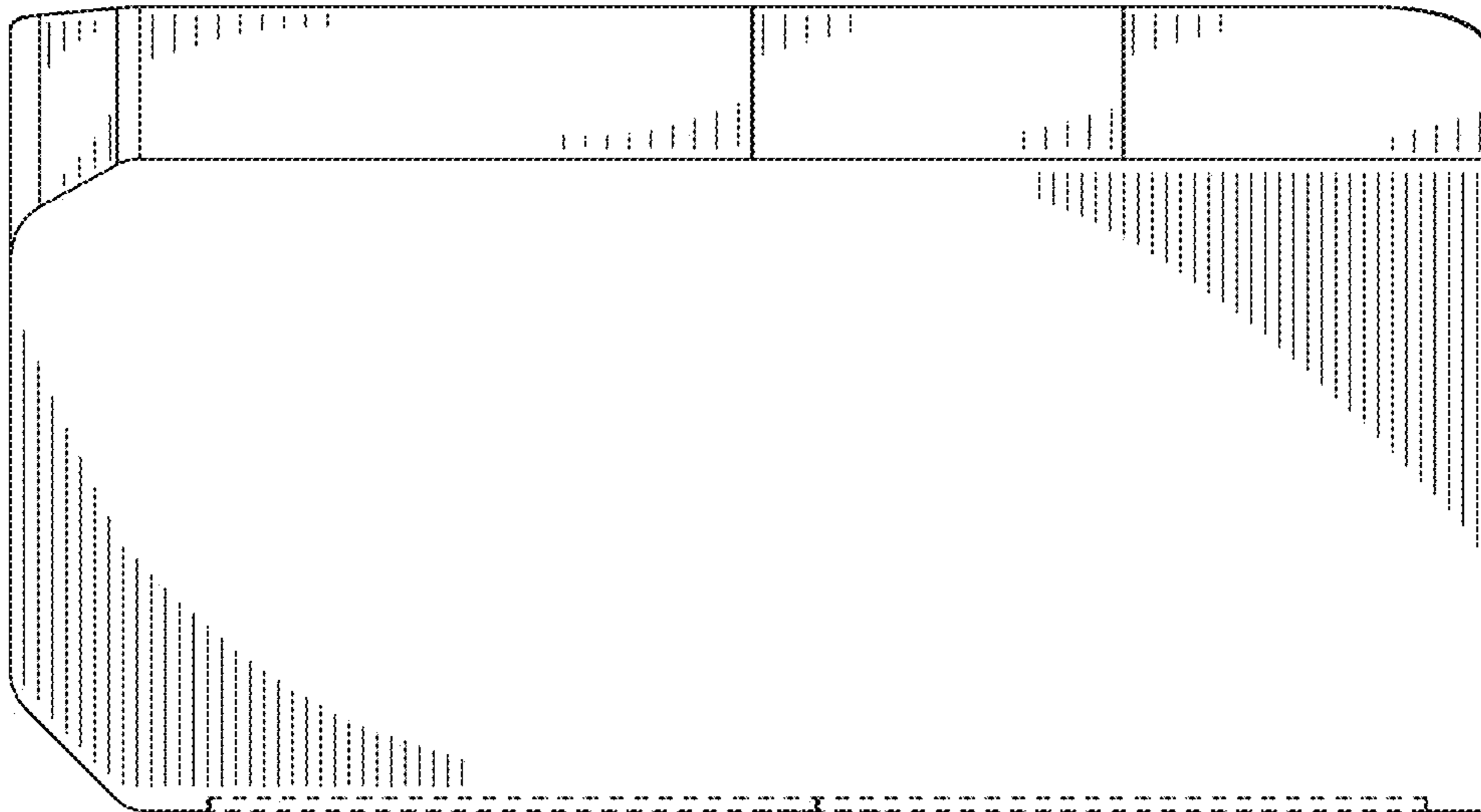


FIG. 8