



US00D921717S

(12) **United States Design Patent**
Zhou

(10) **Patent No.:** **US D921,717 S**
(45) **Date of Patent:** **** Jun. 8, 2021**

(54) **REFRIGERATOR TELESCOPIC RACK**

(71) Applicant: **SHENZHEN JUNYI TIMES E-COMMERCE CO., LTD.**, Shenzhen (CN)

(72) Inventor: **Junyi Zhou**, Shenzhen (CN)

(73) Assignee: **SHENZHEN JUNYI TIMES E-COMMERCE CO., LTD.**, Shenzhen (CN)

(**) Term: **15 Years**

(21) Appl. No.: **29/753,182**

(22) Filed: **Sep. 30, 2020**

(51) **LOC (13) Cl.** **15-07**

(52) **U.S. Cl.**
USPC **D15/89**

(58) **Field of Classification Search**
USPC D15/79-91
CPC .. F25D 11/00; F25D 17/065; F25D 2325/022;
F25D 23/069; F25D 25/025; F25D 11/02;
F25D 17/062; F25D 21/12; F25D 21/125;
F25D 21/14; F25D 2317/061; F25D
2317/067; F25D 2323/021; F25D
2323/024; F25D 23/028; F25D 23/04;
F25D 23/066; F25D 23/085; F25D
23/087; F25D 23/126; F25D 2400/02;
F25D 2400/06; F25D 2400/361; F25D
2400/40; F25D 25/005; F25D 25/02;
F25D 2600/02; F25D 2700/02; F25D
2700/12; F25D 2700/121; F25D 2700/14;
F25D 29/00

See application file for complete search history.

(56) **References Cited**

U.S. PATENT DOCUMENTS

D700,221 S 2/2014 Ringemann et al.
D711,936 S * 8/2014 Hynes A47B 73/00
D15/89

D723,593 S * 3/2015 Ryu D15/89
D794,091 S * 8/2017 Smith D15/89
D812,649 S * 3/2018 Onrat D15/89
D826,995 S * 8/2018 Diamond D15/89
D836,140 S * 12/2018 Jonas D15/89
D847,217 S * 4/2019 Onrat D15/89
D847,220 S * 4/2019 Strum D15/89
D857,764 S * 8/2019 Um D15/89
D858,588 S * 9/2019 Um D15/89
D890,819 S * 7/2020 Webber D15/89
D892,874 S * 8/2020 Cho et al.
D910,089 S * 2/2021 Hynes D15/89

(Continued)

Primary Examiner — Khawaja Anwar

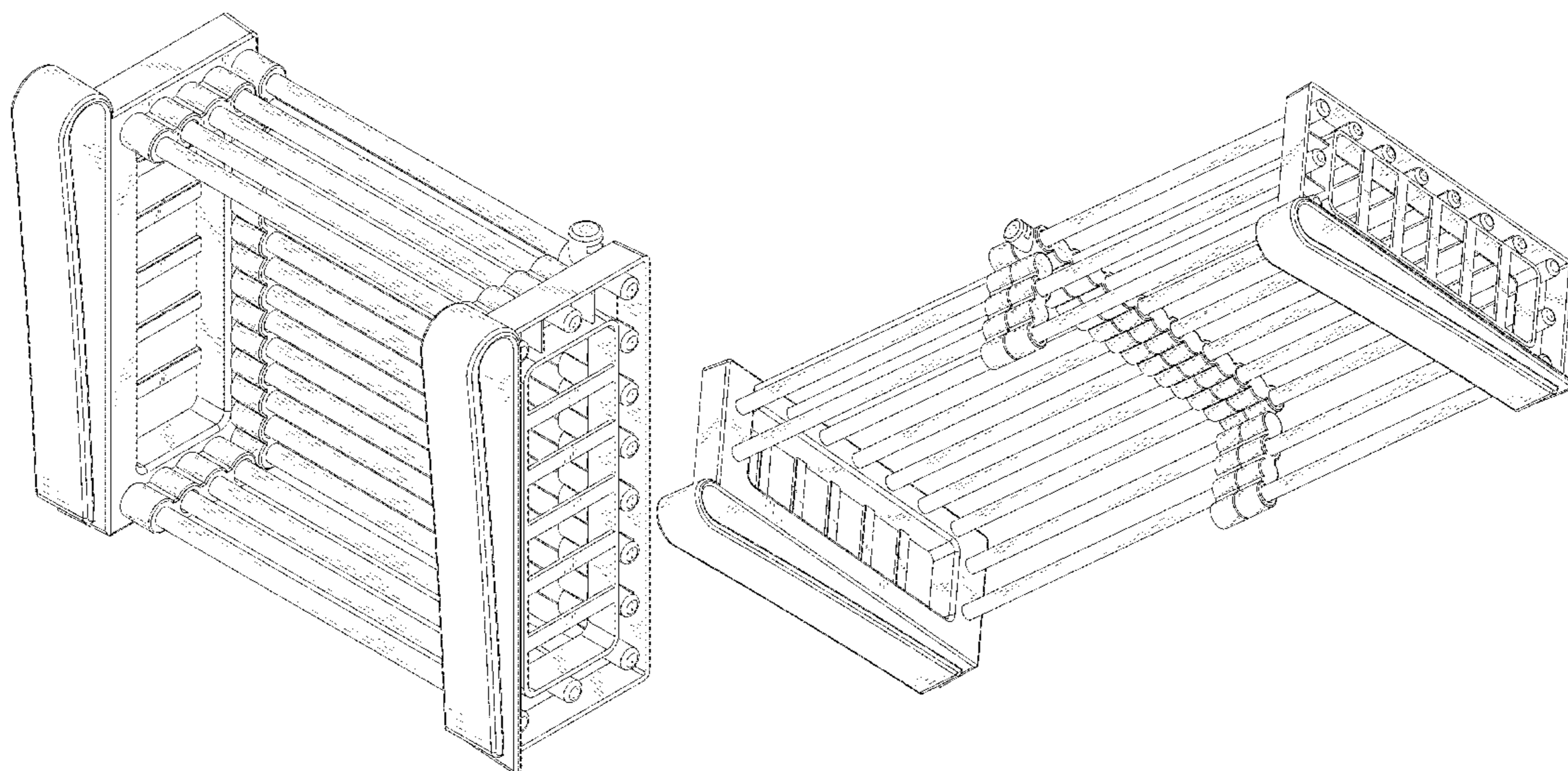
(57) **CLAIM**

The ornamental design for a refrigerator telescopic rack, as shown and described.

DESCRIPTION

FIG. 1 is a perspective view of a refrigerator telescopic rack showing my new design;
FIG. 2 is a perspective view of the refrigerator telescopic rack where the refrigerator telescopic rack is in an extended state;
FIG. 3 is a front elevational view of the refrigerator telescopic rack of FIG. 1;
FIG. 4 is a rear elevational view of the refrigerator telescopic rack of FIG. 1;
FIG. 5 is a left side elevational view of the refrigerator telescopic rack of FIG. 1;
FIG. 6 is a right side elevational view of the refrigerator telescopic rack of FIG. 1;
FIG. 7 is a top plan view of the refrigerator telescopic rack of FIG. 1; and,
FIG. 8 is a bottom plan view of the refrigerator telescopic rack of FIG. 1.
The broken lines in the drawings depict portions of the refrigerator telescopic rack that form no part of the claimed design.

1 Claim, 8 Drawing Sheets



(56)

References Cited

U.S. PATENT DOCUMENTS

D912,106 S * 3/2021 Diamond D15/89
2015/0034577 A1* 2/2015 Cash A47B 46/00
211/75

* cited by examiner

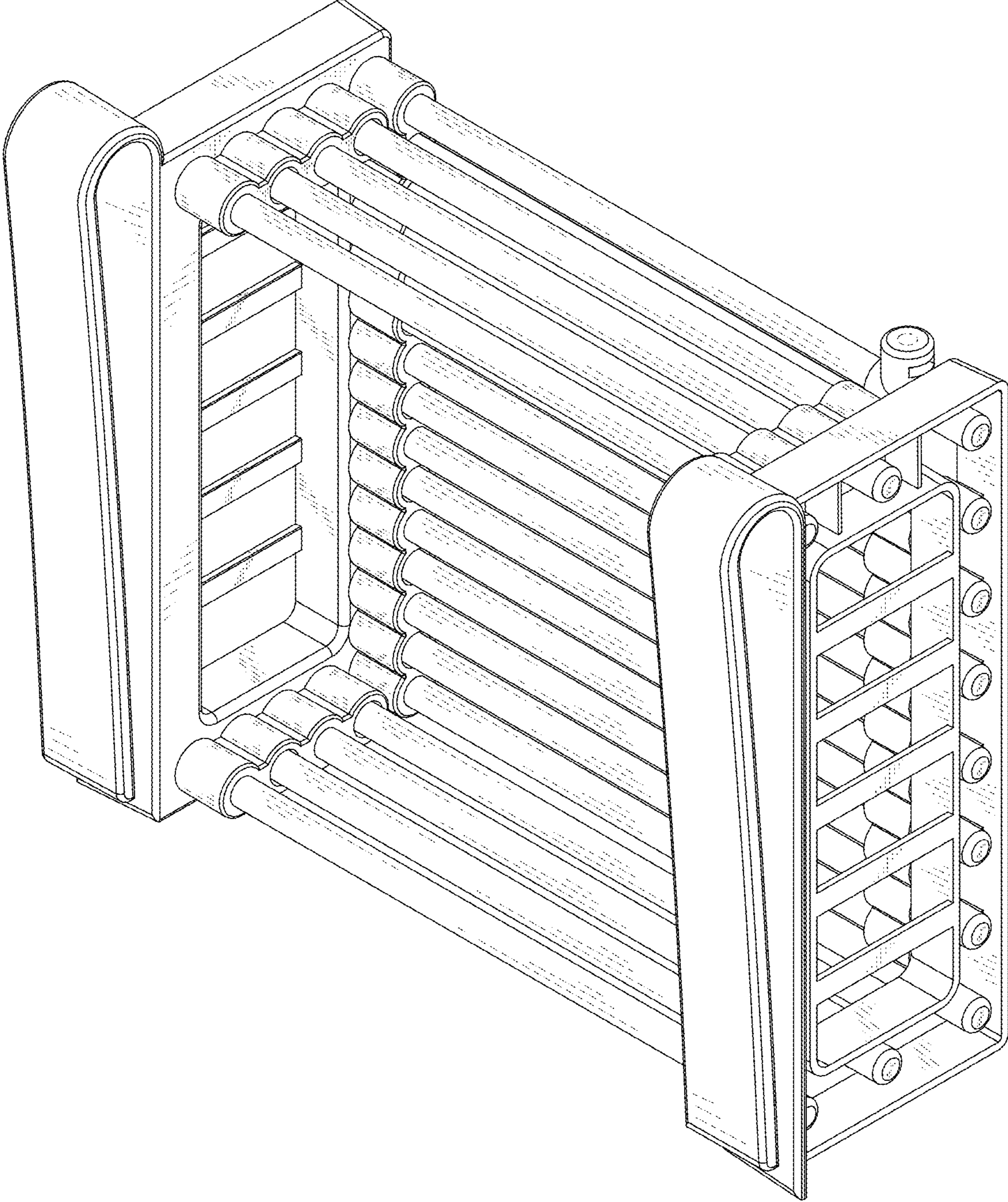


FIG.1

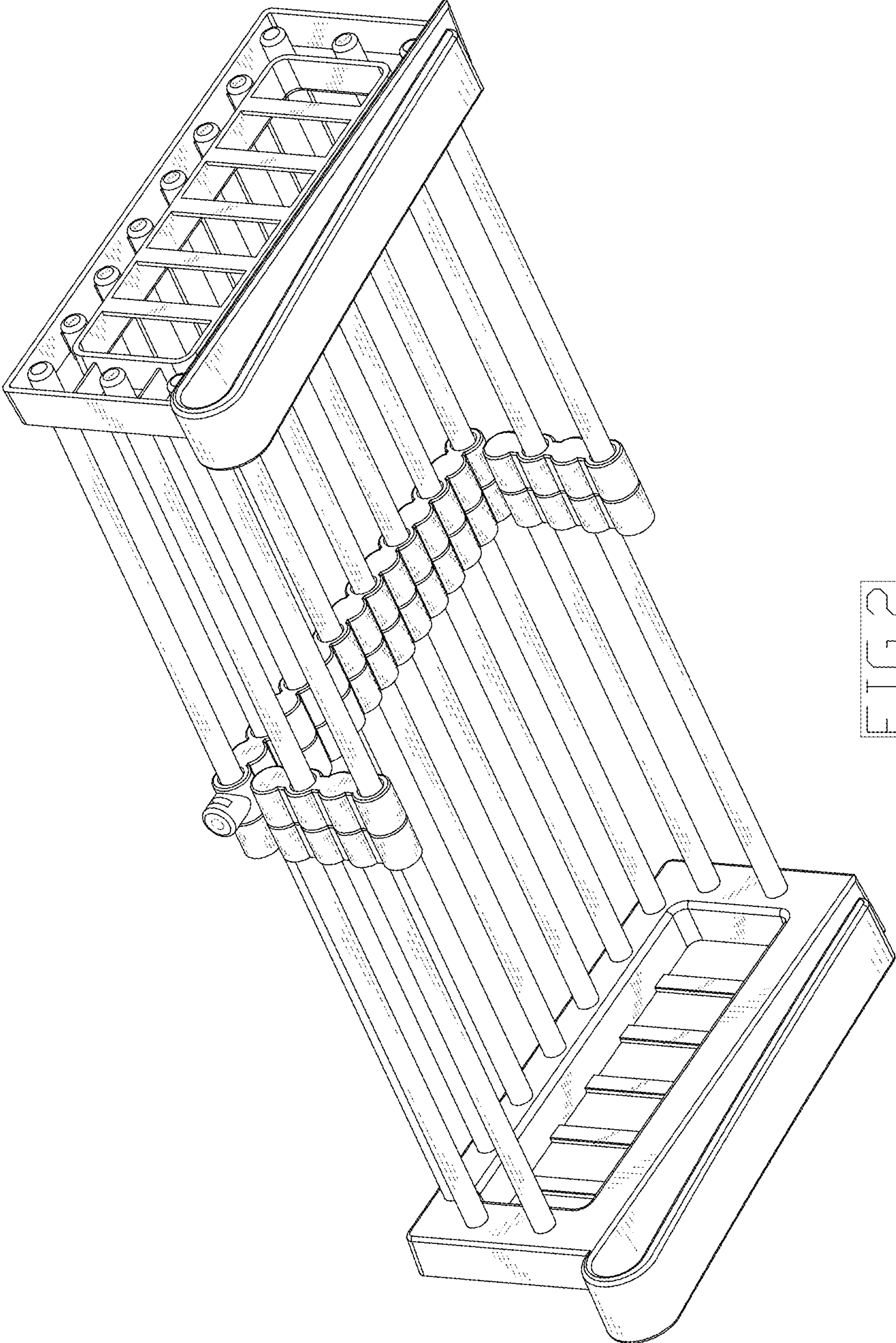


FIG. 2

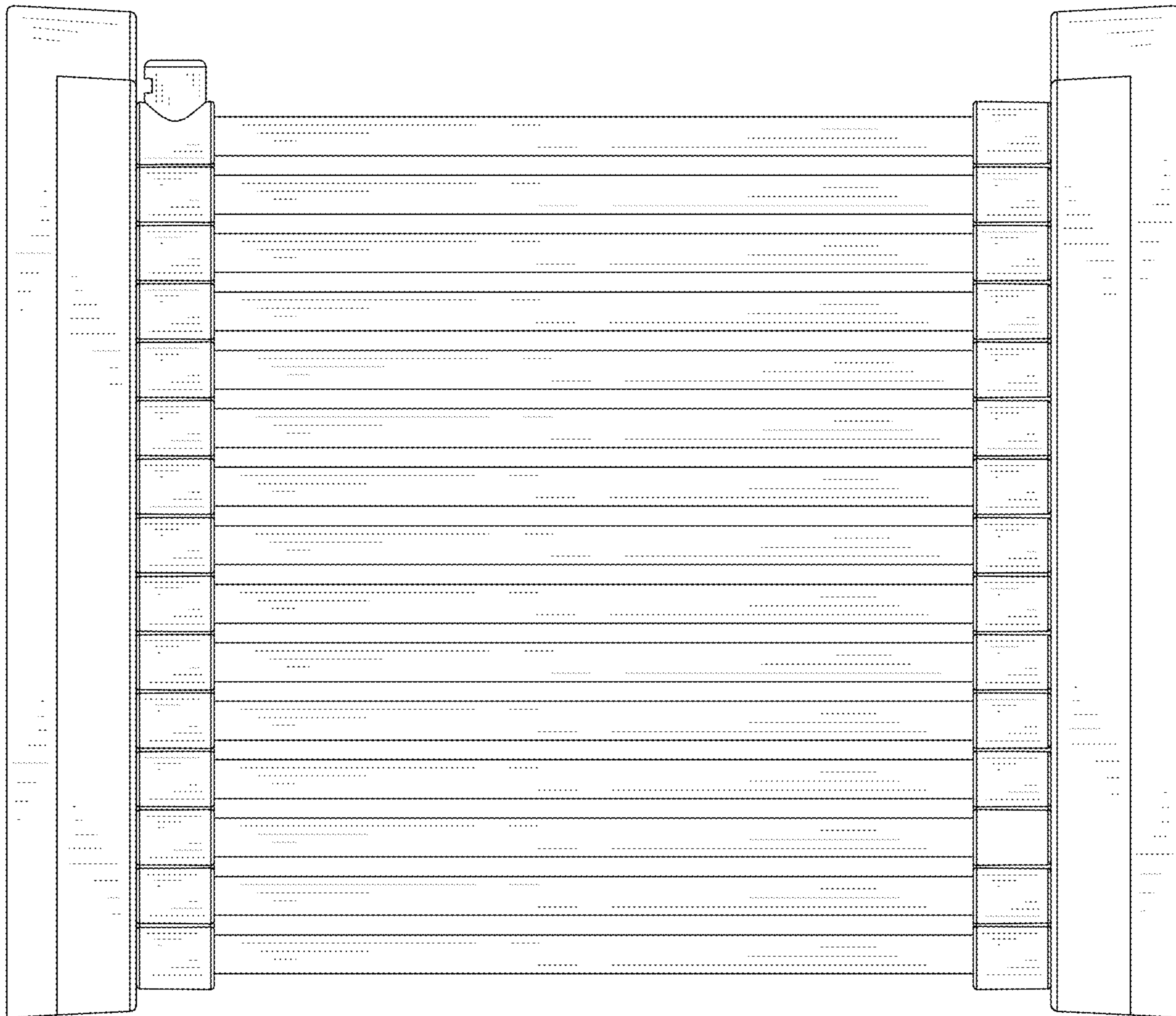


FIG.3

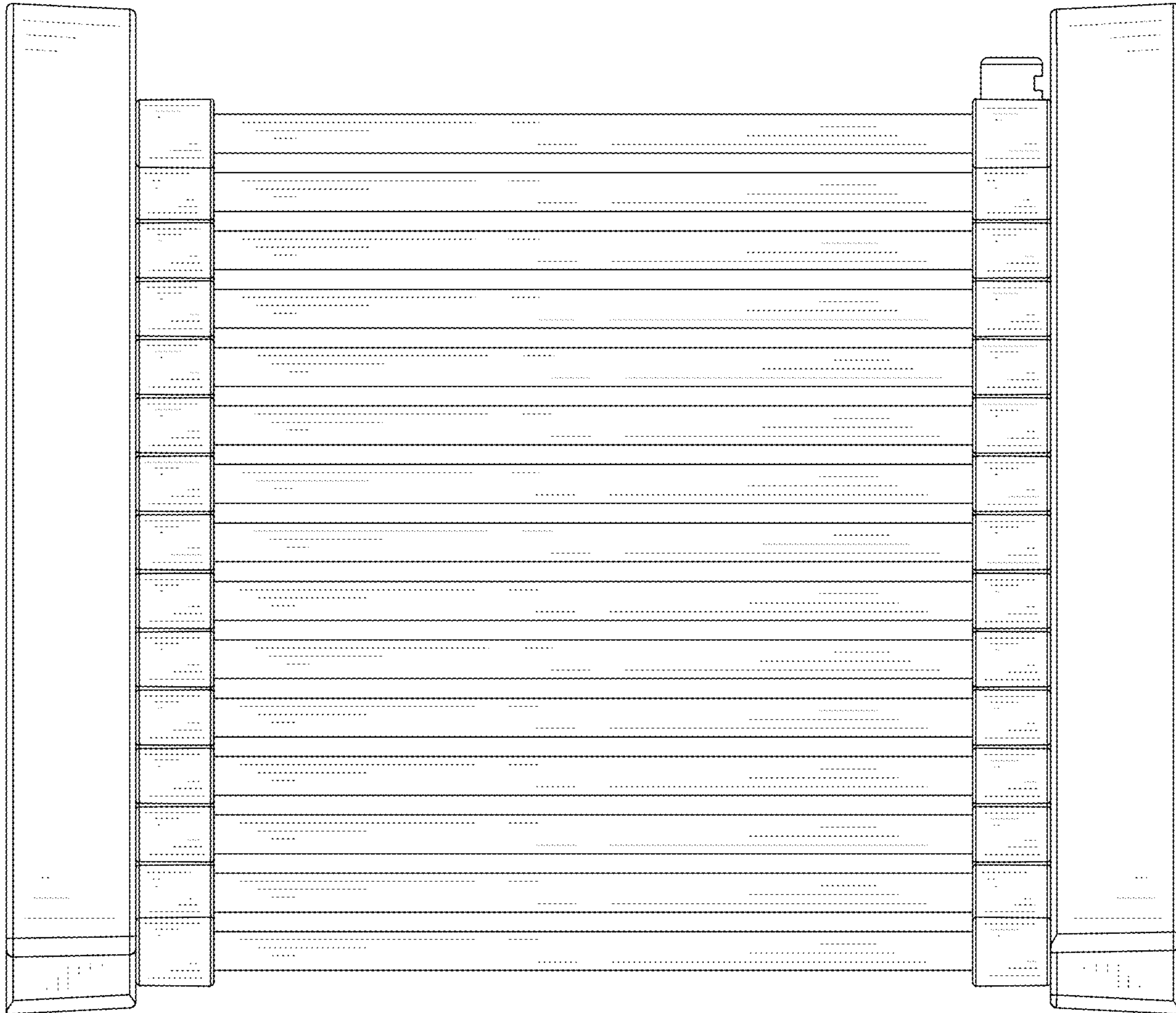


FIG. 4

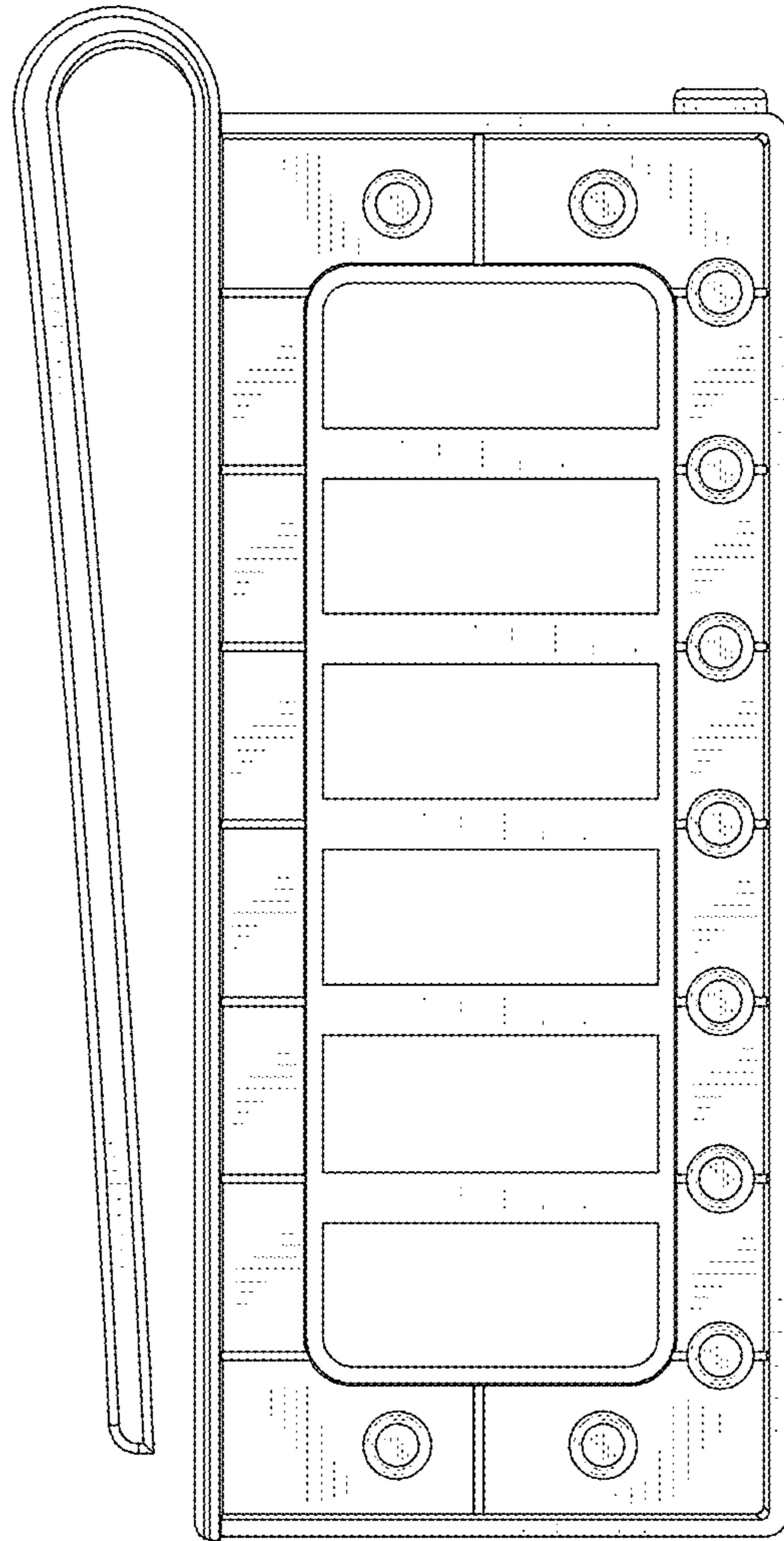


FIG. 5

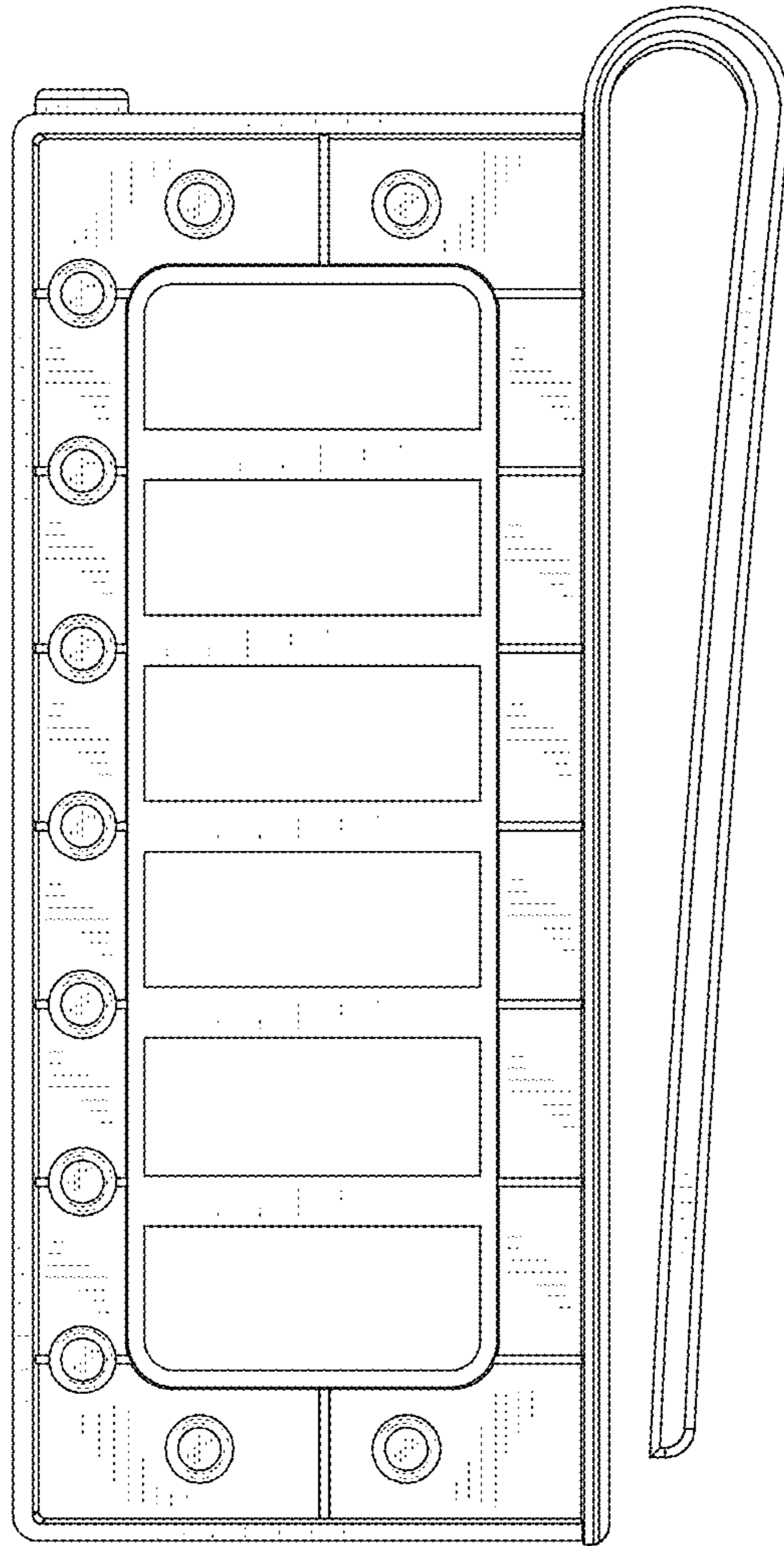


FIG.6

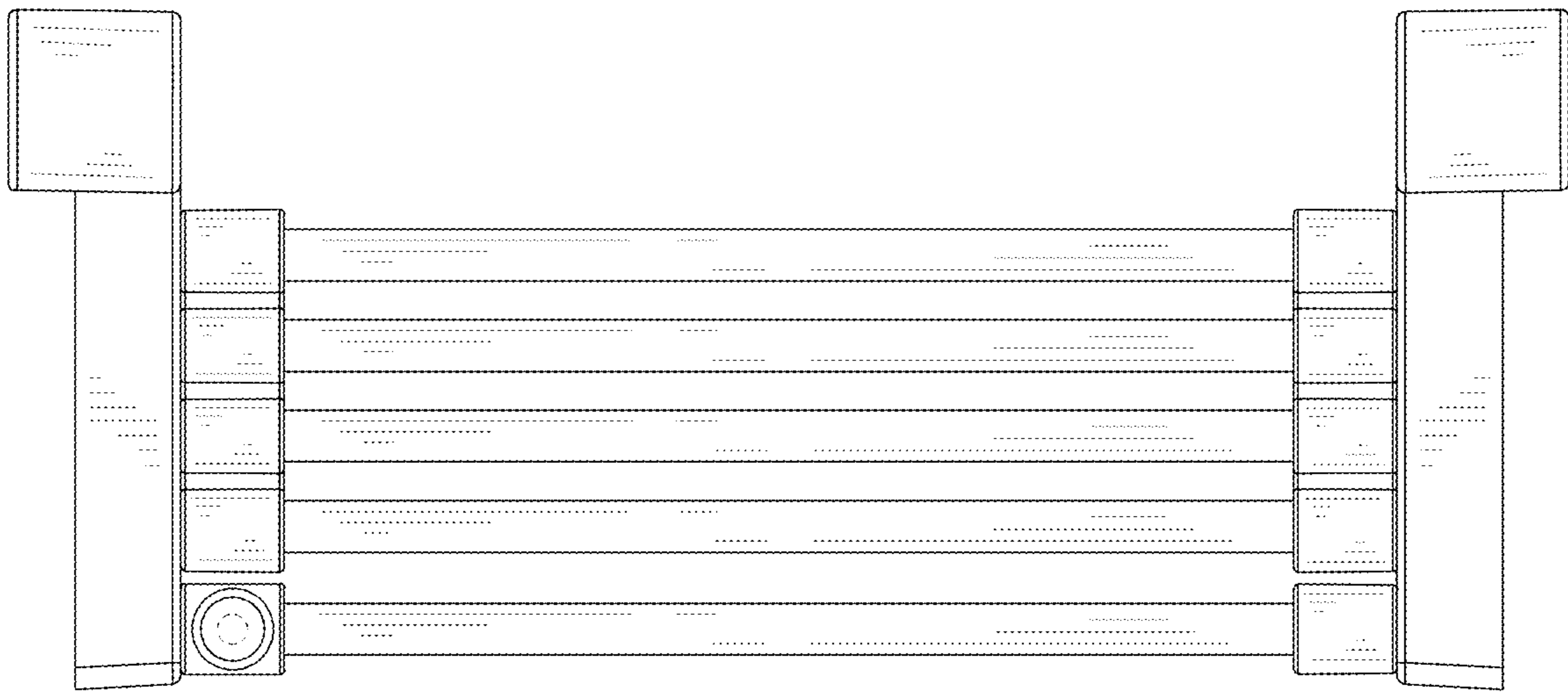


FIG. 7

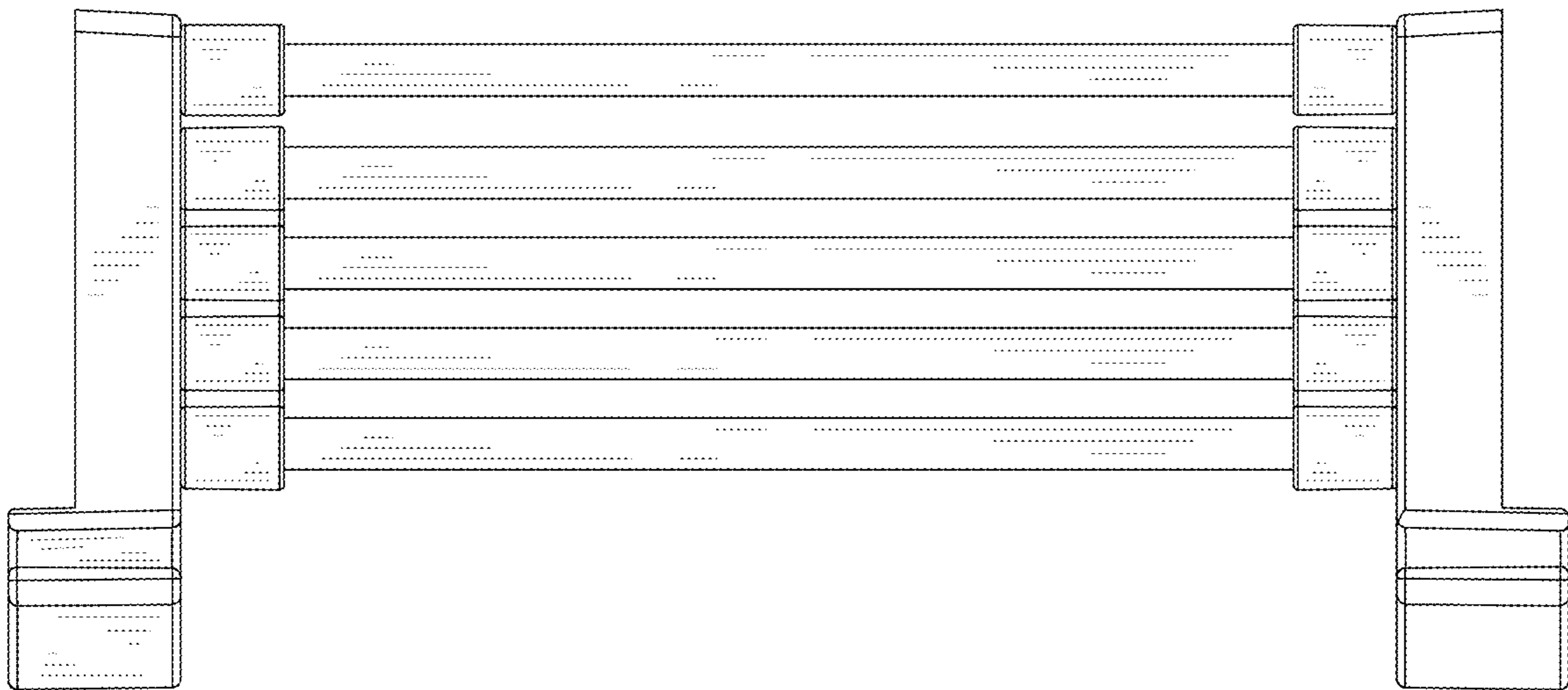


FIG. 8