



US00D921715S

(12) **United States Design Patent**
Lee et al.

(10) **Patent No.:** **US D921,715 S**
(45) **Date of Patent:** **** Jun. 8, 2021**

(54) **REFRIGERATOR**

(71) Applicant: **SAMSUNG ELECTRONICS CO., LTD.**, Suwon-si (KR)

(72) Inventors: **Choong-Eun Lee**, Suwon-si (KR);
Seon-Ju Lee, Suwon-si (KR)

(73) Assignee: **SAMSUNG ELECTRONICS CO., LTD.**, Gyeonggi-Do (KR)

(**) Term: **15 Years**

(21) Appl. No.: **29/724,424**

(22) Filed: **Feb. 14, 2020**

(30) **Foreign Application Priority Data**

Sep. 16, 2019 (KR) 30-2019-0044352

(51) **LOC (13) Cl.** **15-07**

(52) **U.S. Cl.**
USPC **D15/89**

(58) **Field of Classification Search**
USPC D15/79, 80, 81, 82, 83, 84, 85, 86, 87,
D15/88, 89, 90, 91; D8/315, 323, 327,
D8/328, 329
CPC F25C 2400/10; F25D 2400/10; F25D
2400/12; F25D 2400/14; F25D 2400/18;
G05B 2219/2654; G09F 23/0058; Y10S
292/71

See application file for complete search history.

(56) **References Cited**

U.S. PATENT DOCUMENTS

D561,787 S	*	2/2008	Choi	D15/89
D562,361 S	*	2/2008	Kwak	D15/89
D610,173 S	*	2/2010	Kim	D15/89
D612,677 S	*	3/2010	Jeon	D7/402
D661,546 S	*	6/2012	Baacke	D7/405
D685,011 S	*	6/2013	Meda	D15/89
D718,574 S	*	12/2014	Nordwall	D7/402

D718,605 S	*	12/2014	Yang	D8/315
D745,577 S	*	12/2015	Kim	D15/89
D745,579 S	*	12/2015	Kim	D15/89
D781,933 S		3/2017	Shrader et al.		
D820,887 S	*	6/2018	Lee	D15/88
D826,294 S	*	8/2018	Kim	D15/89
D826,686 S	*	8/2018	Kim	D8/315
D831,709 S	*	10/2018	Kim	D15/89
D849,503 S	*	5/2019	Lee	D8/315
D853,218 S	*	7/2019	Lee	D8/315
D906,378 S	*	12/2020	Fidler	D15/89

FOREIGN PATENT DOCUMENTS

CN	303628533	3/2016
CN	304662274	6/2018
CN	304681957	6/2018
CN	304946208	12/2018

* cited by examiner

Primary Examiner — Mojtaba Tehrani

(74) *Attorney, Agent, or Firm* — Cantor Colburn LLP

(57) **CLAIM**

The ornamental design for a refrigerator, as shown and described.

DESCRIPTION

FIG. 1 is a front perspective view of a refrigerator, showing our new design;

FIG. 2 is a front view thereof;

FIG. 3 is a rear view thereof;

FIG. 4 is a left-side view thereof;

FIG. 5 is a right-side view thereof;

FIG. 6 is a top view thereof;

FIG. 7 is a bottom view thereof; and,

FIG. 8 is an enlarged view of the portion 8 in FIG. 1.

The even-dash broken lines illustrating portions of the refrigerator form no part of the claimed design. The dot-dash broken lines encircling enlargement portions of the refrigerator form no part of the claimed design.

1 Claim, 8 Drawing Sheets

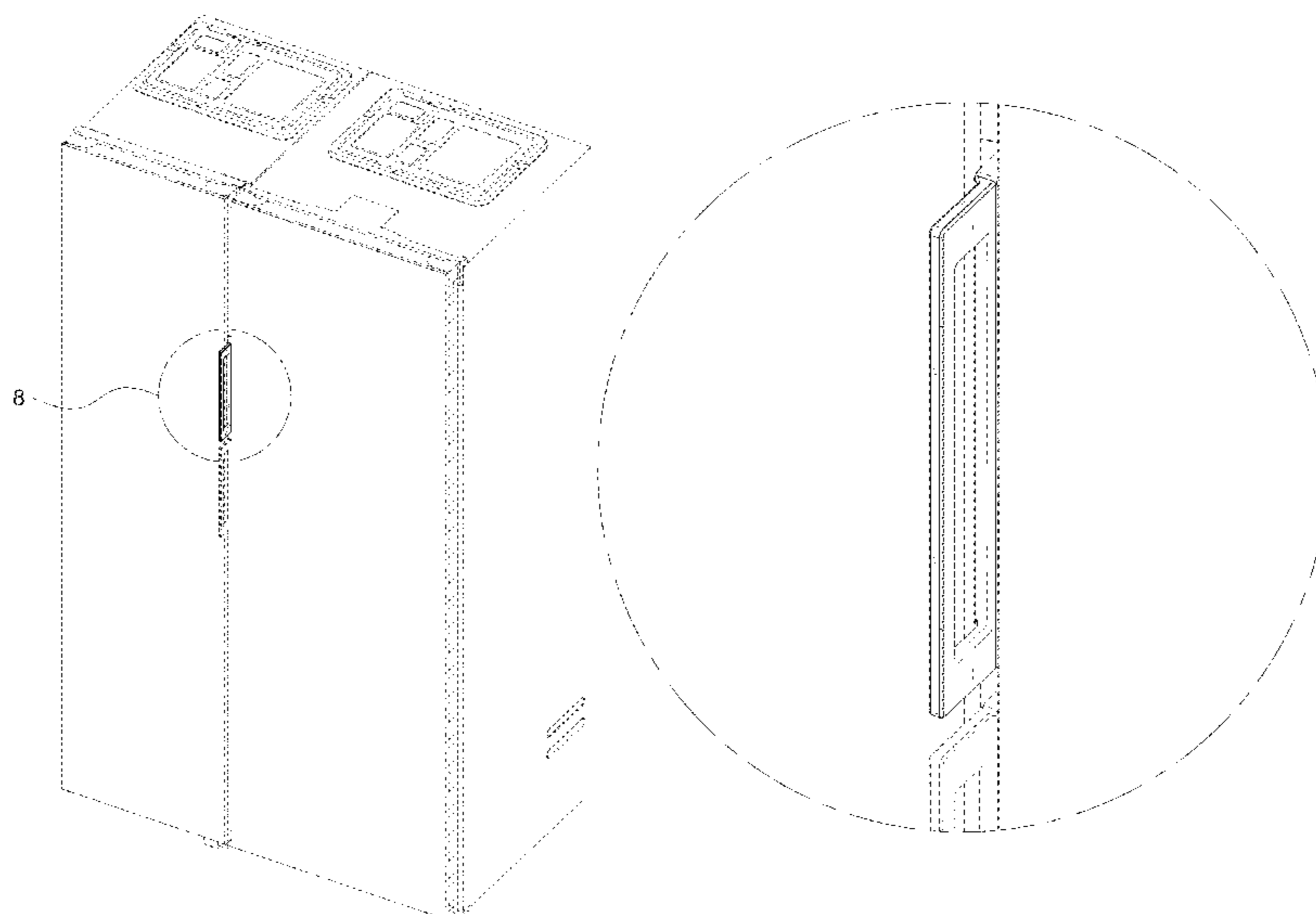


FIG. 1

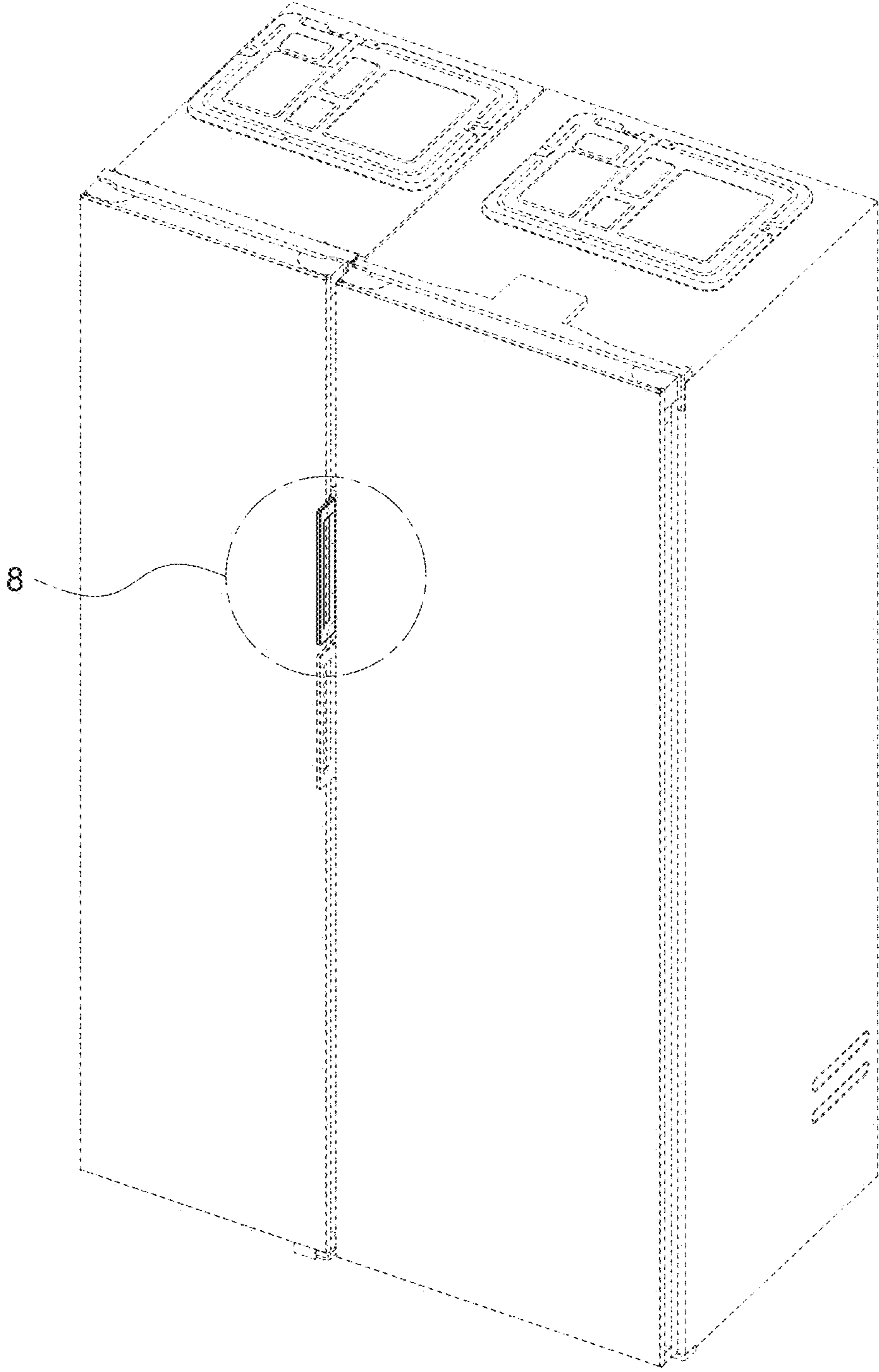


FIG. 2

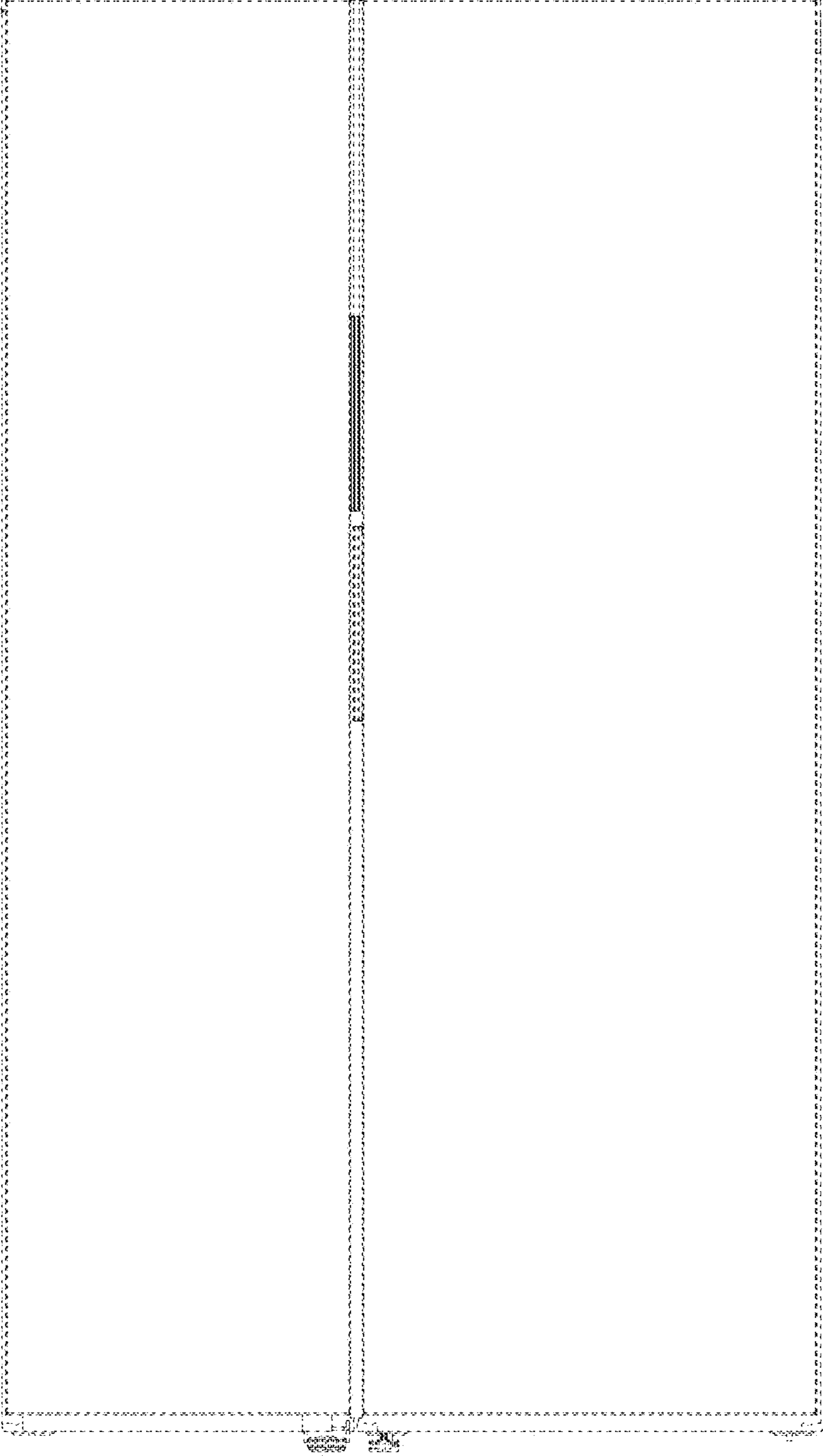


FIG. 3

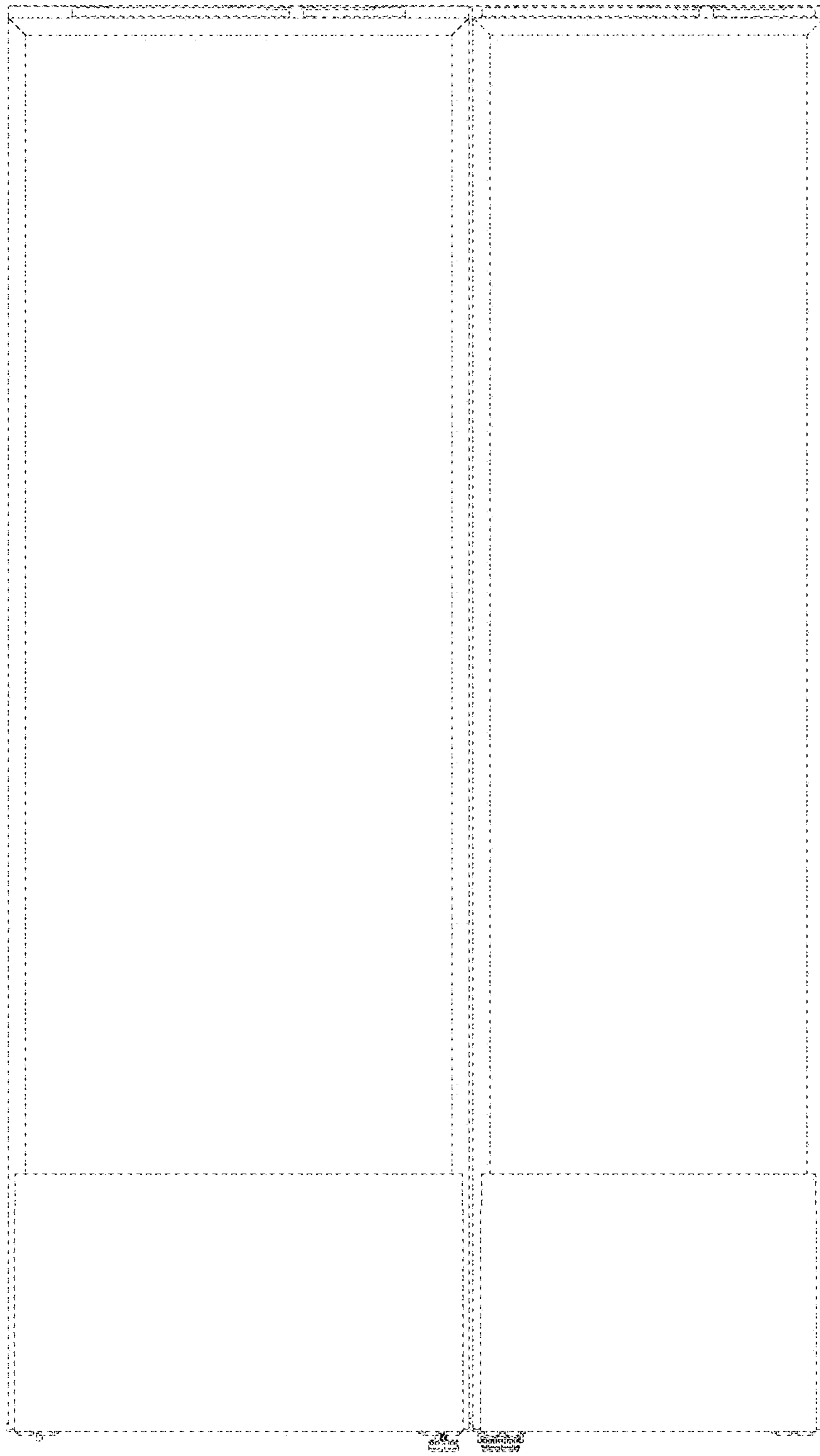


FIG. 4

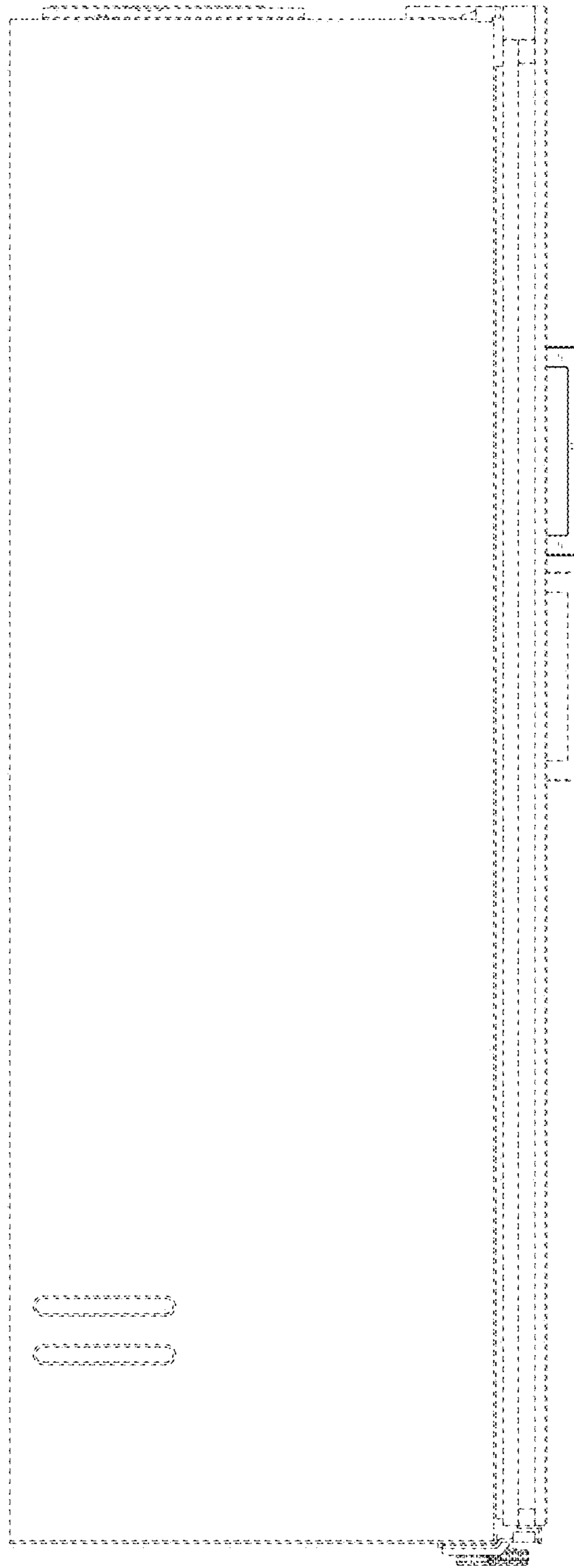


FIG. 5

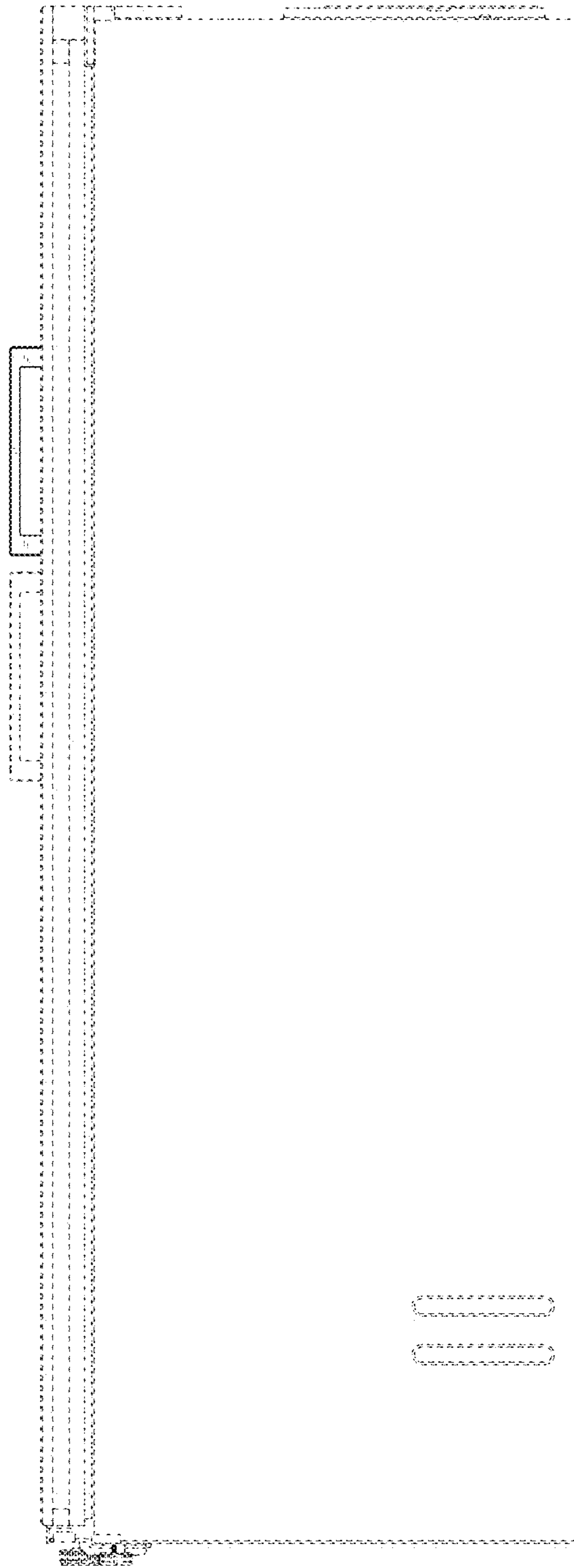


FIG. 6

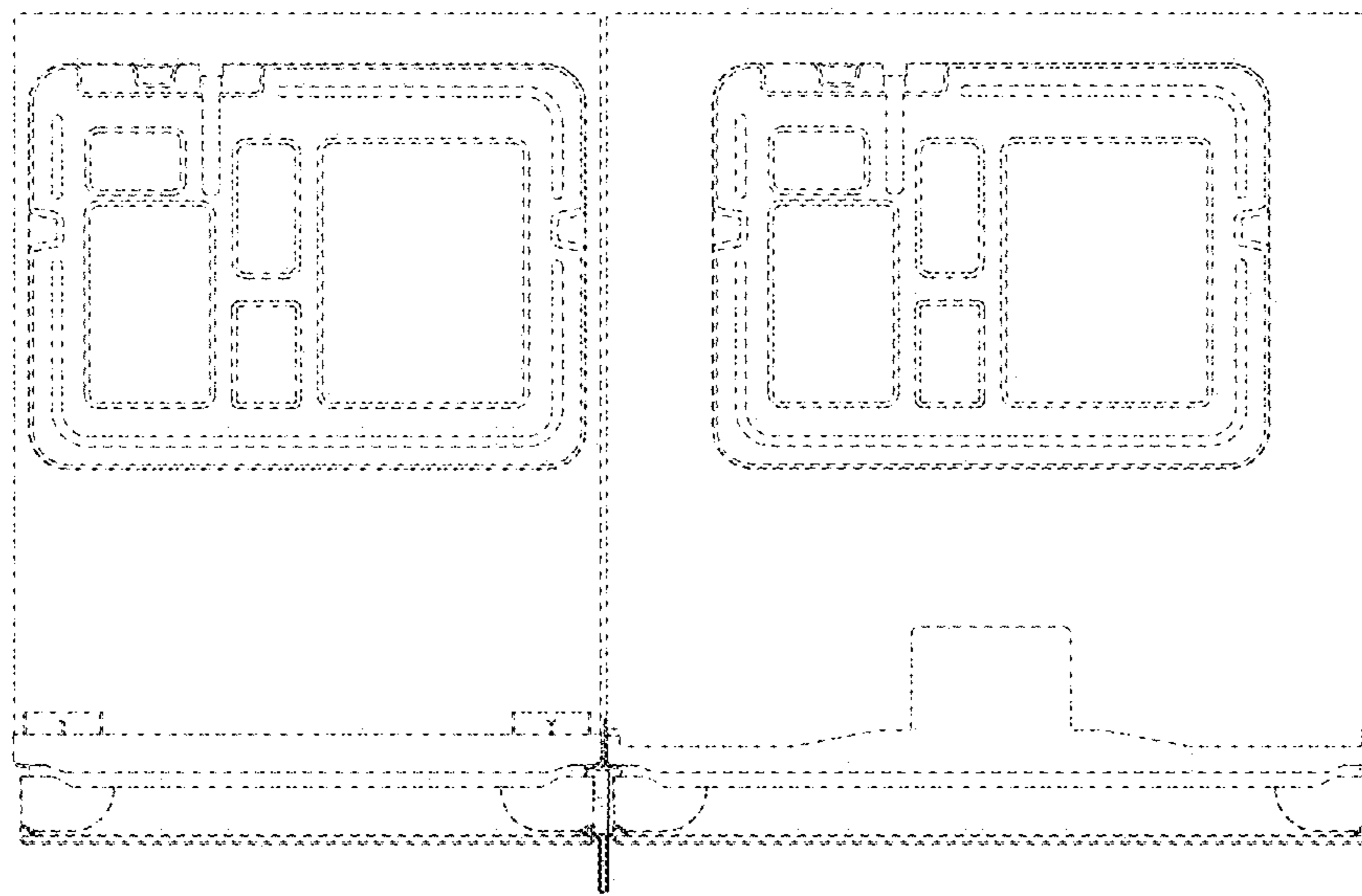


FIG. 7

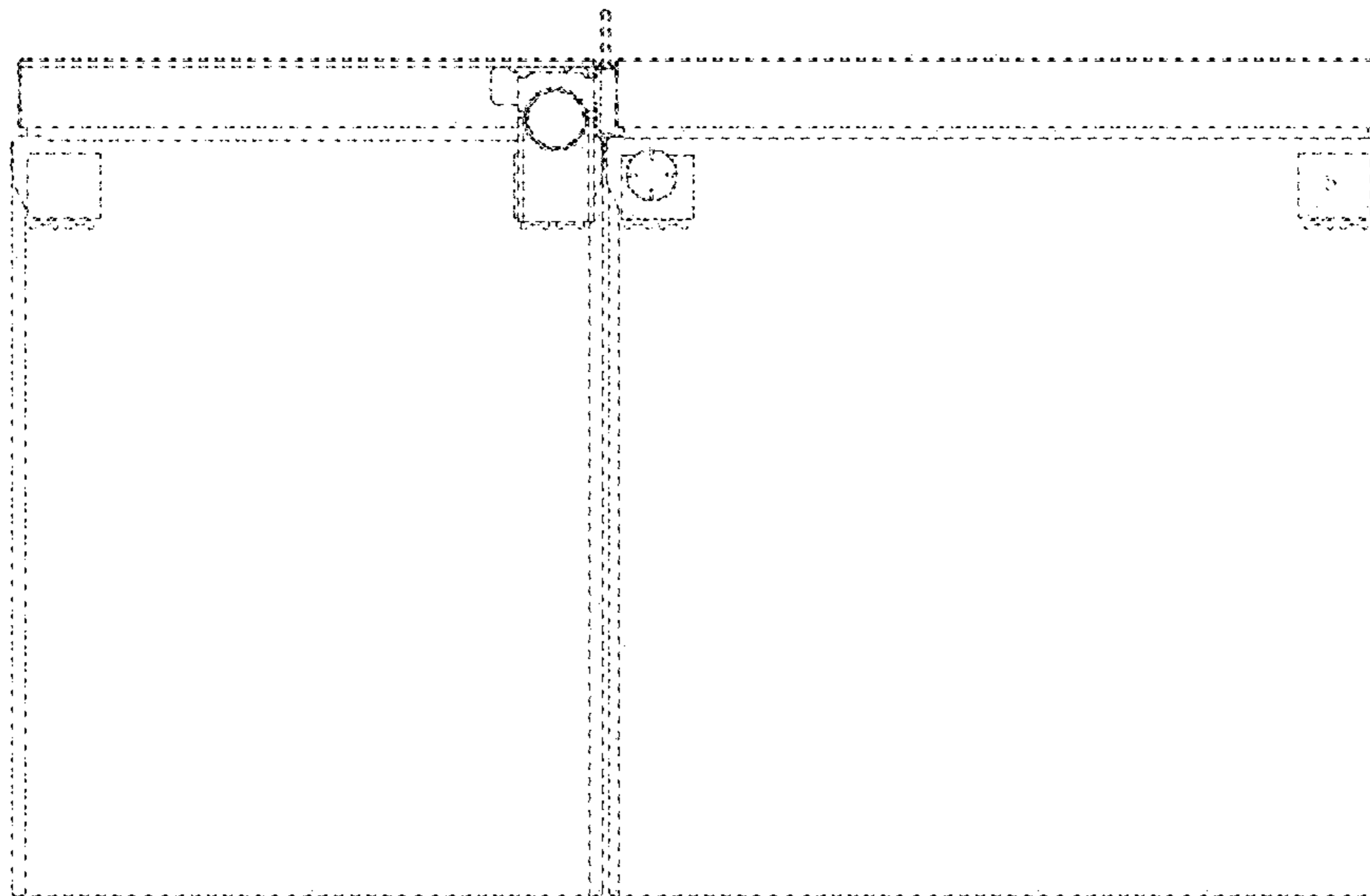


FIG. 8

