



US00D921714S

(12) **United States Design Patent**  
**Yoon et al.**

(10) **Patent No.:** **US D921,714 S**  
(45) **Date of Patent:** **\*\* Jun. 8, 2021**

(54) **REFRIGERATOR**

(71) Applicant: **Samsung Electronics Co., Ltd.**,  
Suwon-si (KR)

(72) Inventors: **Kisang Yoon**, Suwon-si (KR); **Suyeon Park**, Suwon-si (KR); **Seonju Lee**, Suwon-si (KR); **Aeryun Kim**, Suwon-si (KR); **Jaemin Lee**, Suwon-si (KR)

(73) Assignee: **Samsung Electronics Co., Ltd.**,  
Suwon-si (KR)

(\*\*) Term: **15 Years**

(21) Appl. No.: **29/722,501**

(22) Filed: **Jan. 30, 2020**

(30) **Foreign Application Priority Data**

Aug. 8, 2019 (KR) ..... 30-2019-0037975

(51) **LOC (13) Cl.** ..... **15-07**

(52) **U.S. Cl.**  
USPC ..... **D15/86**

(58) **Field of Classification Search**  
USPC ..... D15/79, 80, 81, 82, 83, 84, 85, 86, 87,  
D15/88, 89, 90, 91

(Continued)

(56) **References Cited**

**U.S. PATENT DOCUMENTS**

D629,021 S \* 12/2010 Cho ..... D15/85  
D657,805 S \* 4/2012 Cho ..... D15/86

(Continued)

**FOREIGN PATENT DOCUMENTS**

CN 2018306536045 3/2013  
CN 2016303330338 1/2017

(Continued)

**OTHER PUBLICATIONS**

Daewoo. "Daewoo 4 Door French Door Refrigerator 32.6 Cu Ft, Silver\_RFP32HBKPD" [2018 ] www.daewooelecusa.com Jan. 30,

2020 <<http://daewooelecusa.com/daewoo-4-door-french-door-refrigerator-32-6-cu-ft-silver-rfp32hbkp.html>>.

(Continued)

*Primary Examiner* — Mojtaba Tehrani  
(74) *Attorney, Agent, or Firm* — NSIP Law

(57) **CLAIM**

We claim the ornamental design for a refrigerator, as shown and described.

**DESCRIPTION**

FIG. 1 is a front perspective view of a first embodiment of a refrigerator showing our new design;  
FIG. 2 is a front view thereof;  
FIG. 3 is a rear view thereof;  
FIG. 4 is a left-side view thereof;  
FIG. 5 is a right-side view thereof;  
FIG. 6 is a top view thereof;  
FIG. 7 is a bottom view thereof;  
FIG. 8 is an enlarged view of the encircled portion 8 shown in FIG. 1;  
FIG. 9 is an enlarged view of the encircled portion 9 shown in FIG. 1;  
FIG. 10 is an enlarged view of the encircled portion 10 shown in FIG. 1;  
FIG. 11 is an enlarged view of the encircled portion 11 shown in FIG. 1  
FIG. 12 is an exploded front perspective view in which the upper left-side front panel portion is shown separated from the refrigerator;  
FIG. 13 is a front perspective view of a second embodiment of a refrigerator showing our new design;  
FIG. 14 is a front view thereof;  
FIG. 15 is a rear view thereof;  
FIG. 16 is a left-side view thereof;  
FIG. 17 is a right-side view thereof;  
FIG. 18 is a top view thereof;  
FIG. 19 is a bottom view thereof;  
FIG. 20 is an enlarged view of the encircled portion 20 shown in FIG. 13;

(Continued)

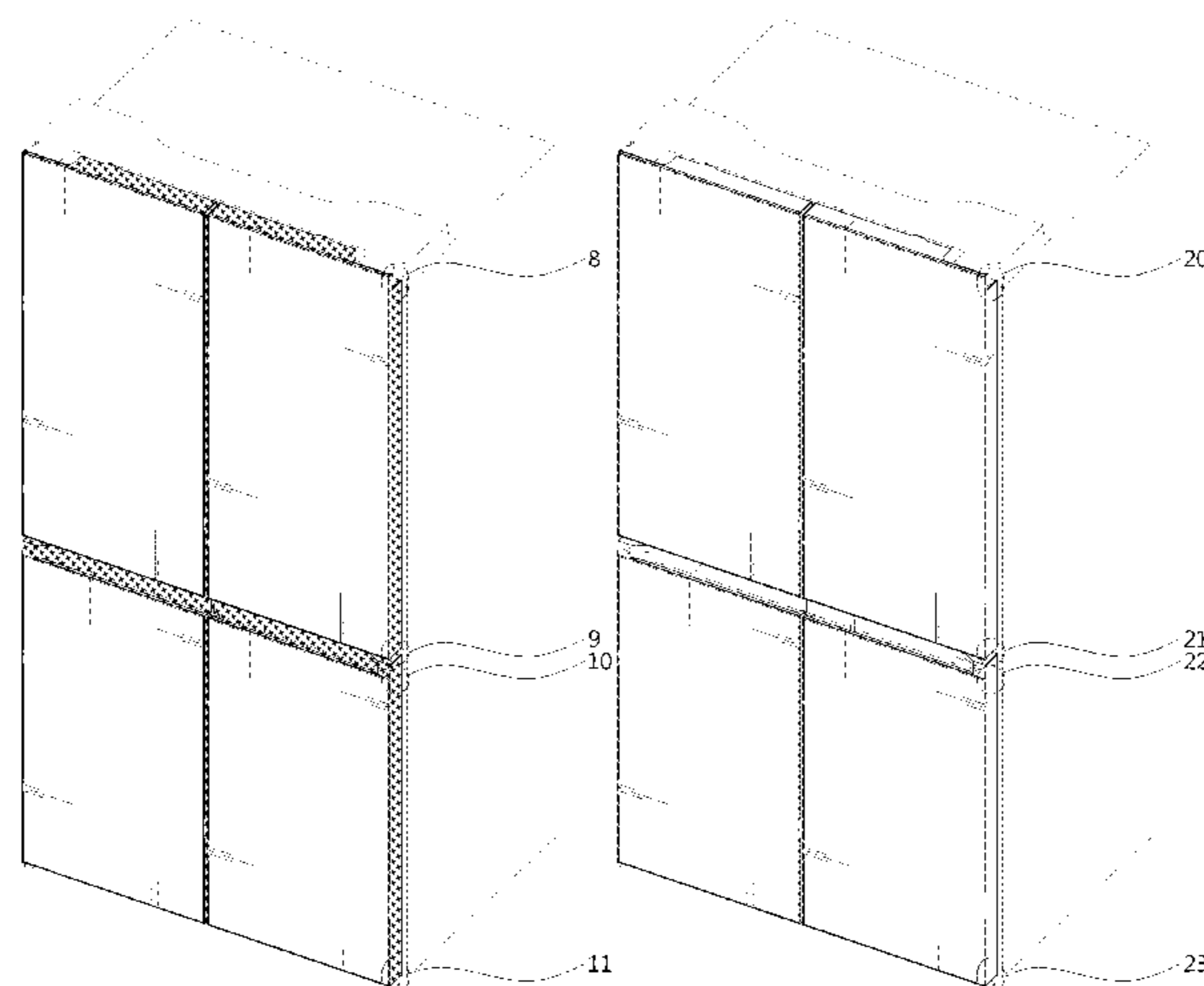


FIG. 21 is an enlarged view of the encircled portion 21 shown in FIG. 13;

FIG. 22 is an enlarged view of the encircled portion 22 shown in FIG. 13;

FIG. 23 is an enlarged view of the encircled portion 23 shown in FIG. 13; and,

FIG. 24 is an exploded front perspective view in which the upper left-side front panel portion is shown separated from the refrigerator.

The short dash-dash broken lines in the figures depict portions of the refrigerator which form no part of the claimed design.

The dot-dot-dash broken lines encircling portions of the claimed design that are illustrated in enlargements form no part of the claimed design.

The gray tones shown in FIGS. 1 to 12 indicate that the gray portions are the same contrasting color, and do not represent any particular color.

**1 Claim, 20 Drawing Sheets**

**(58) Field of Classification Search**

CPC ..... F25C 2400/10; F25D 2400/10; F25D 2400/12; F25D 2400/14; F25D 2400/18; G05B 2219/2654; G09F 23/0058; Y10S 292/71

See application file for complete search history.

**(56) References Cited**

**U.S. PATENT DOCUMENTS**

D658,215 S *	4/2012	Seo	.....	D15/86
D672,375 S *	12/2012	Lee	.....	D15/86
D674,415 S *	1/2013	Lee	.....	D15/86
D674,418 S *	1/2013	Seo	.....	D15/86
D680,138 S *	4/2013	Seo	.....	D15/86
D713,862 S *	9/2014	Lee	.....	D15/86
D714,360 S *	9/2014	Seo	.....	D15/85
D724,113 S *	3/2015	Seo	.....	D15/85
D730,413 S *	5/2015	Jeon	.....	D15/86
D730,414 S *	5/2015	Hwang	.....	D15/86

D734,373 S *	7/2015	Hwang	.....	D15/86
D735,782 S *	8/2015	Hwang	.....	D15/86
D739,447 S *	9/2015	Seo	.....	D15/86
D742,431 S *	11/2015	Seo	.....	D15/86
D760,819 S *	7/2016	Lee	.....	D15/86
D761,333 S *	7/2016	Lee	.....	D15/86
D761,334 S *	7/2016	Lee	.....	D15/86
D775,674 S *	1/2017	Seo	.....	D15/86
D786,317 S *	5/2017	Kim	.....	D15/85
D786,948 S *	5/2017	Lee	.....	D15/86
D814,533 S *	4/2018	Kim	.....	D15/85
D825,624 S *	8/2018	Kwon	.....	D15/91
D832,312 S *	10/2018	Kim	.....	D15/86
D838,297 S *	1/2019	Choi	.....	D15/81
D839,325 S *	1/2019	Lee	.....	D15/91
D847,875 S *	5/2019	Kim	.....	D15/85
D855,086 S *	7/2019	Jeon	.....	D15/85
D869,518 S *	12/2019	Lee	.....	D15/85
D882,649 S *	4/2020	Zhang	.....	D15/91
D888,110 S *	6/2020	Lee	.....	D15/85
2017/0082349 A1 *	3/2017	Jung	.....	F25D 23/028
2019/0101317 A1 *	4/2019	Park	.....	F25D 23/04
2019/0271500 A1 *	9/2019	Lee	.....	G02B 6/0088

**FOREIGN PATENT DOCUMENTS**

CN	2016304364702	2/2017
CN	2017303507065	1/2018
CN	2017305375709	4/2018
CN	2018300313236	7/2018
CN	2018303351916	10/2018
CN	2019300039908	5/2019
KR	30-2015-0057631	6/2016

**OTHER PUBLICATIONS**

LG. "Midea HQ-627WEN REF 4 Doors—469L—No Frost—A+—83.3 X180.8 X 74—LED Digital Screen—Silver" [2020] www.leaders.jo Jan. 30, 2020 <<https://www.leaders.jo/home-appliances/refrigeration/refrigerator/sbs/french/midea/hq-627wen-ref-4-doors-469l-no-frost-a-83-3-x180-8-x-74-led-digital-screen-silver/>>.  
 "LG Wins Coveted Italian Design Award for Dual Door-In-Door™ Refrigerator" [2015] www.lgnewsroom.com Dec. 3, 2015 <<http://www.lgnewsroom.com/2015/12/lg-wins-coveted-italian-design-award-for-dual-door-in-door-refrigerator/>>.

\* cited by examiner

FIG. 1

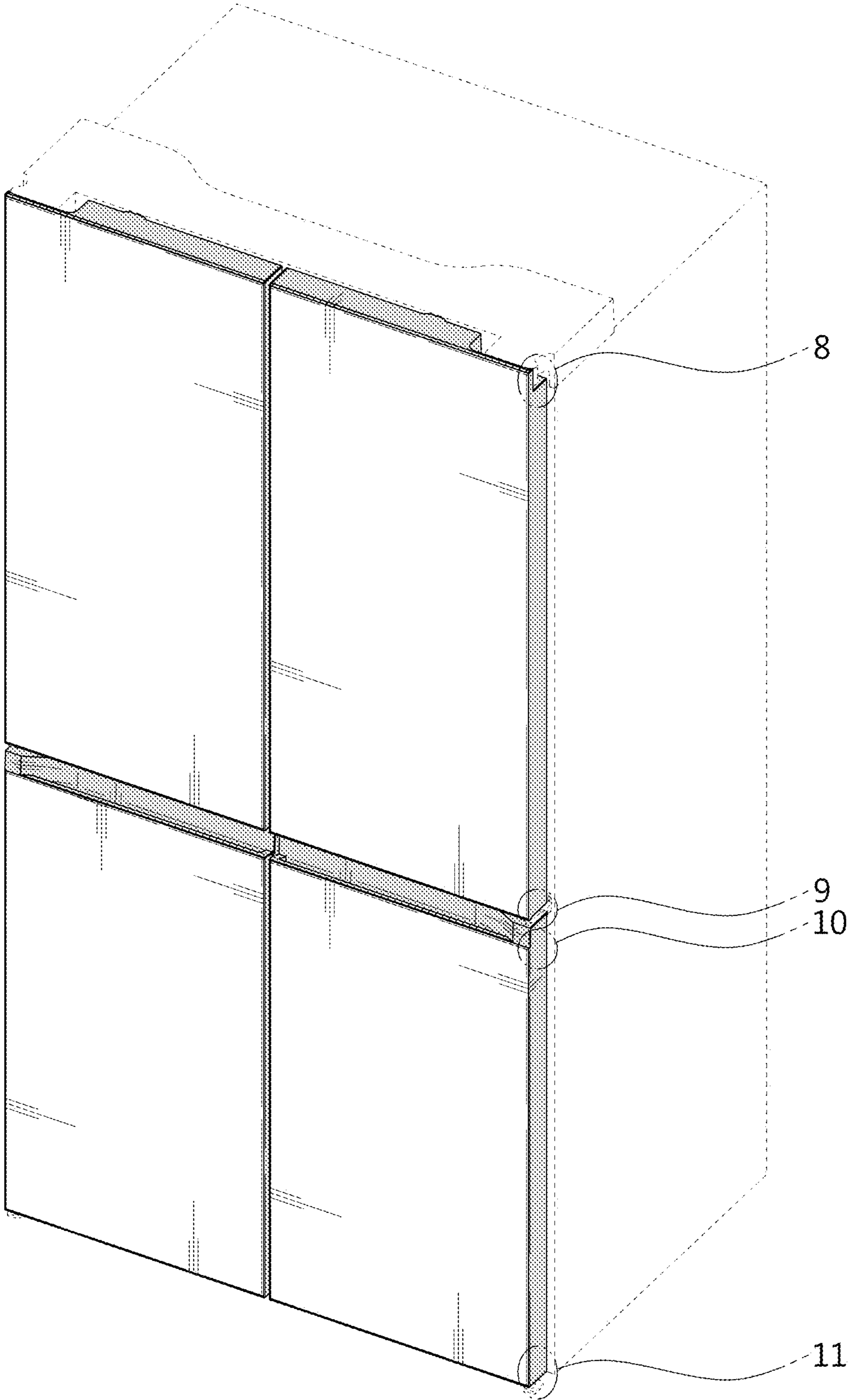




FIG. 2

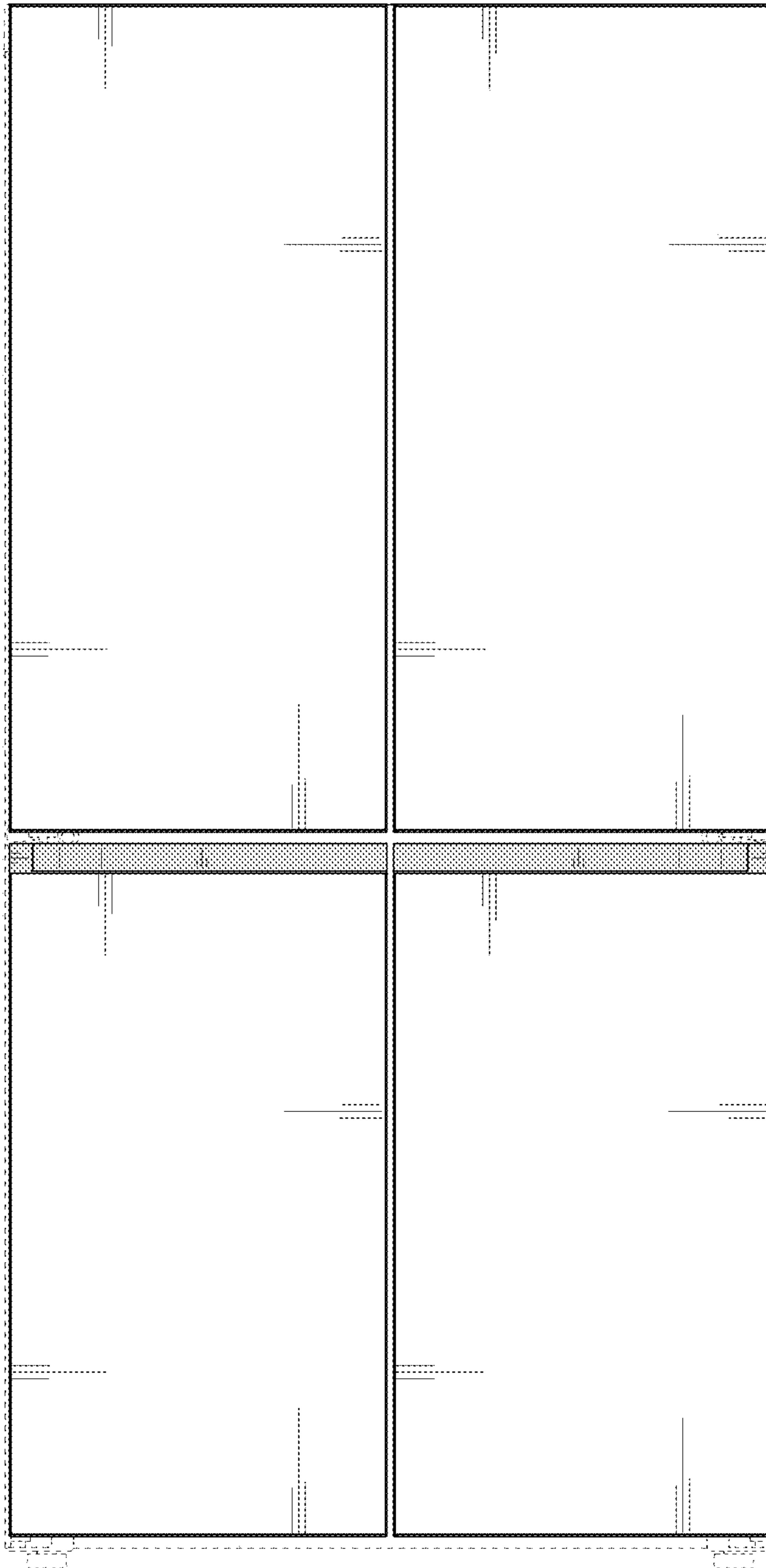


FIG. 3



FIG. 4

FIG. 5

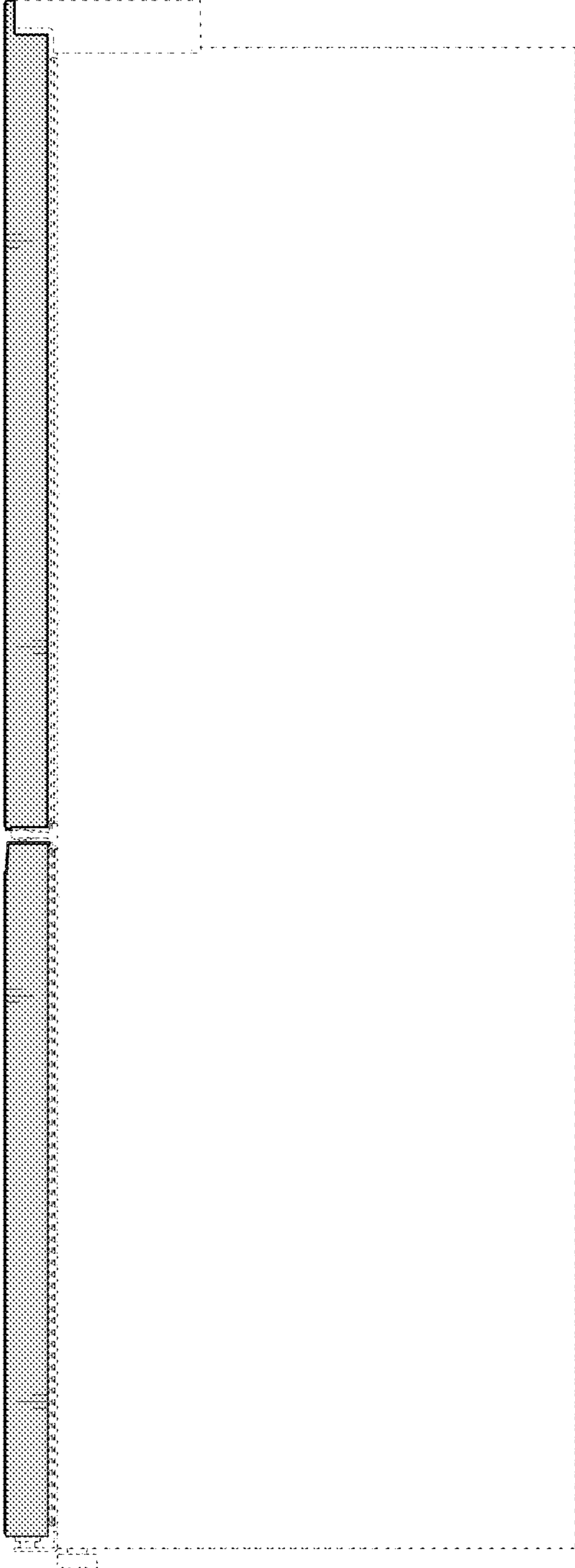
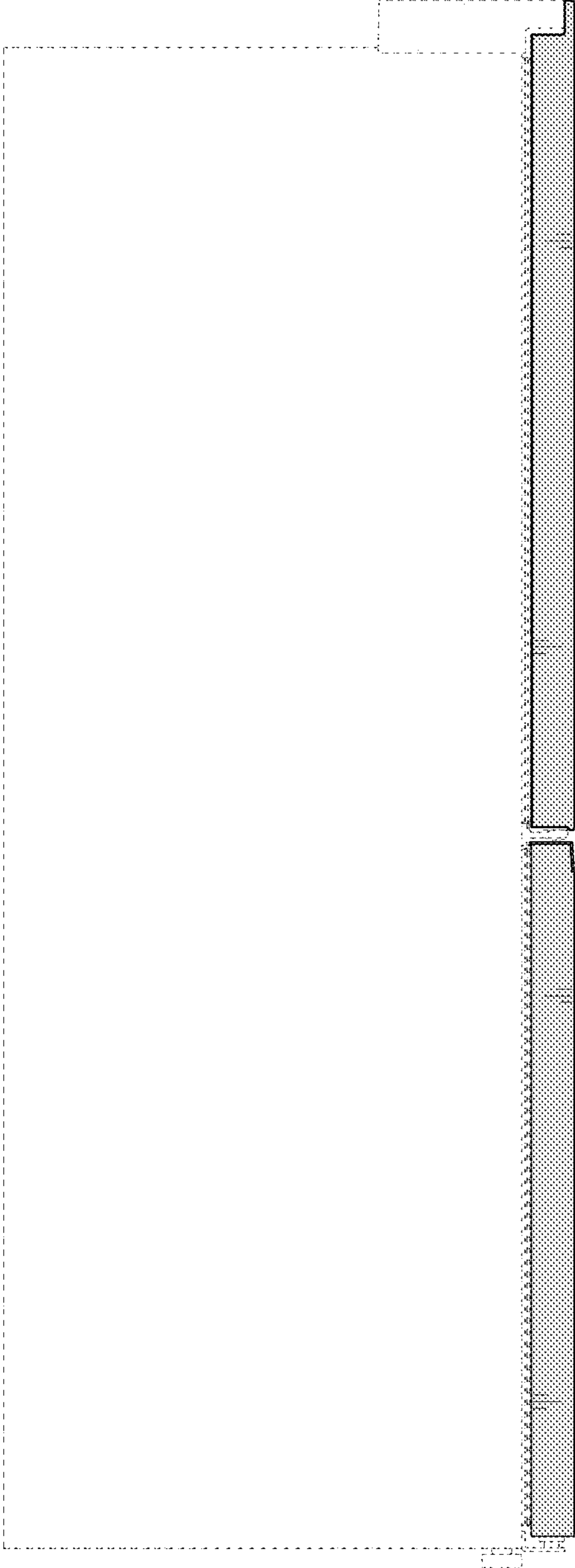


FIG. 6

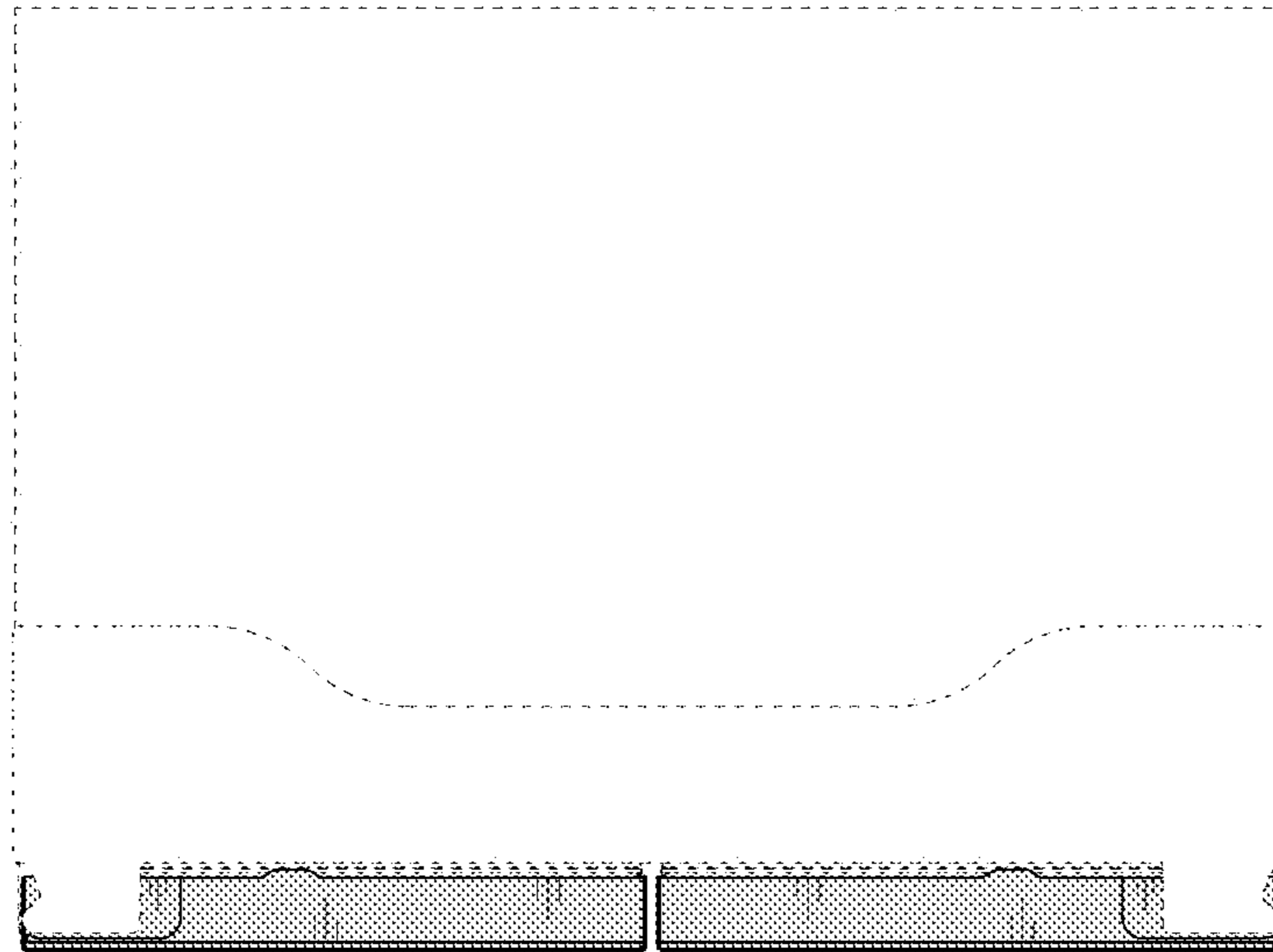


FIG. 7

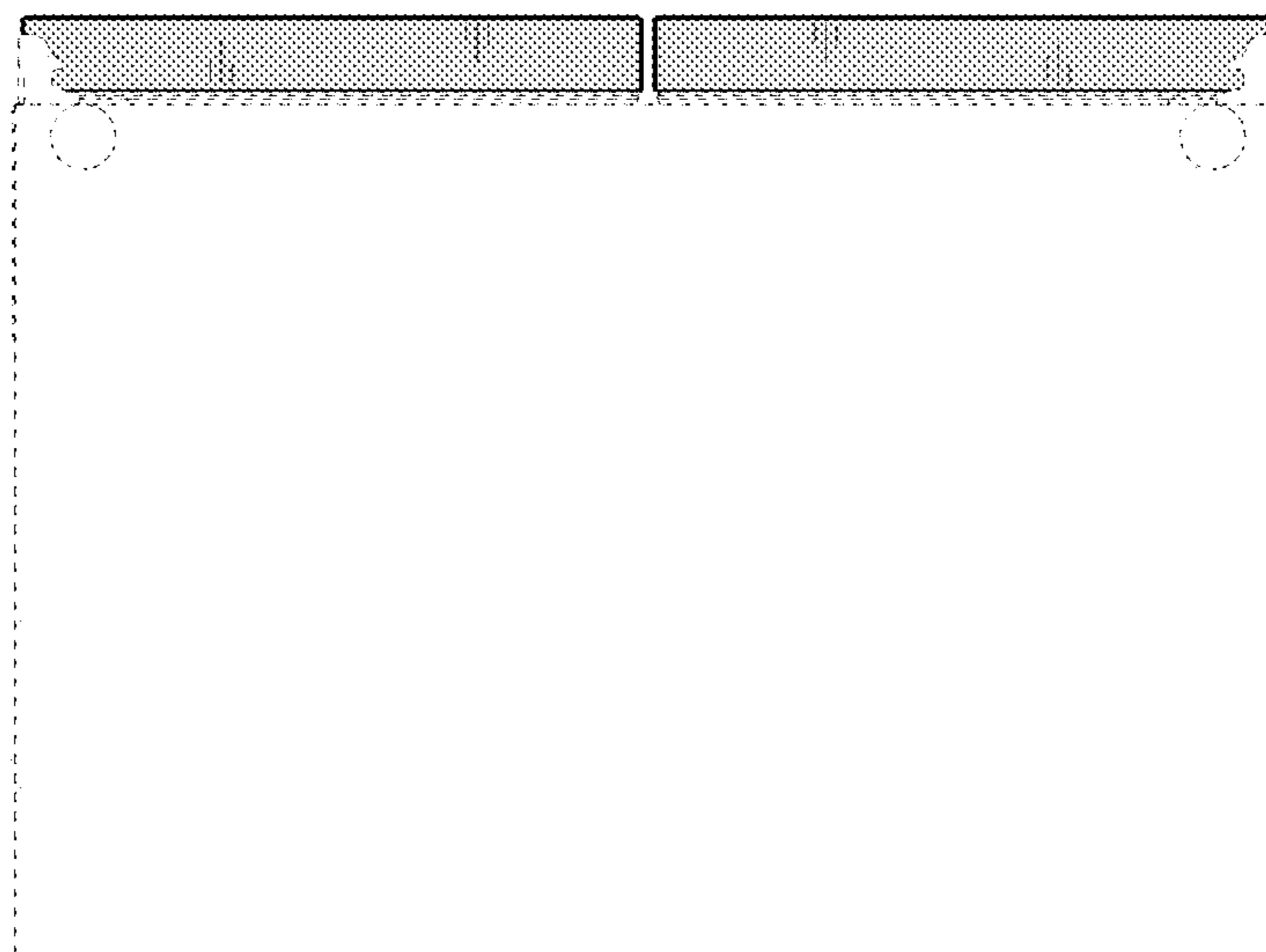


FIG. 8

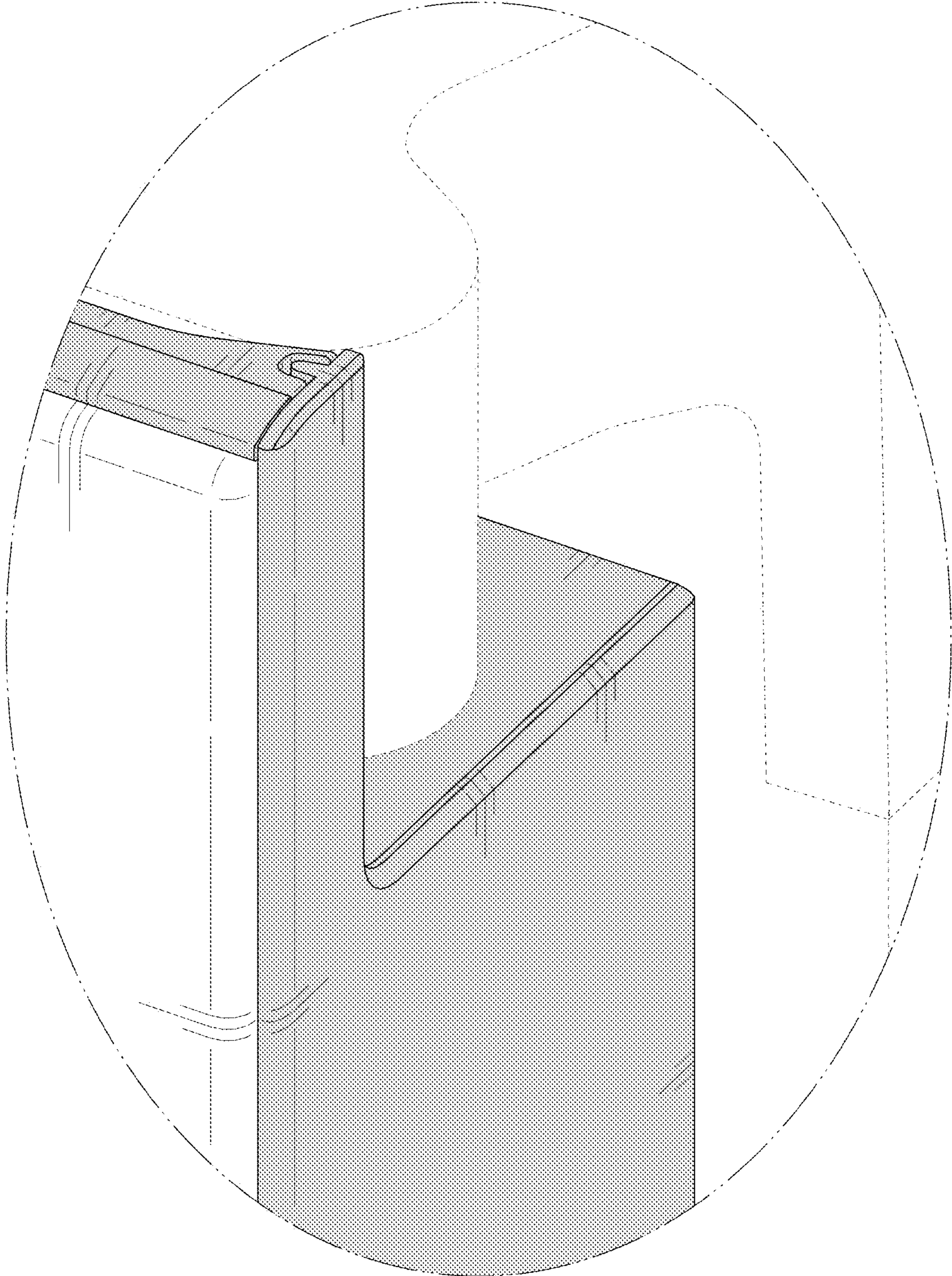




FIG. 9

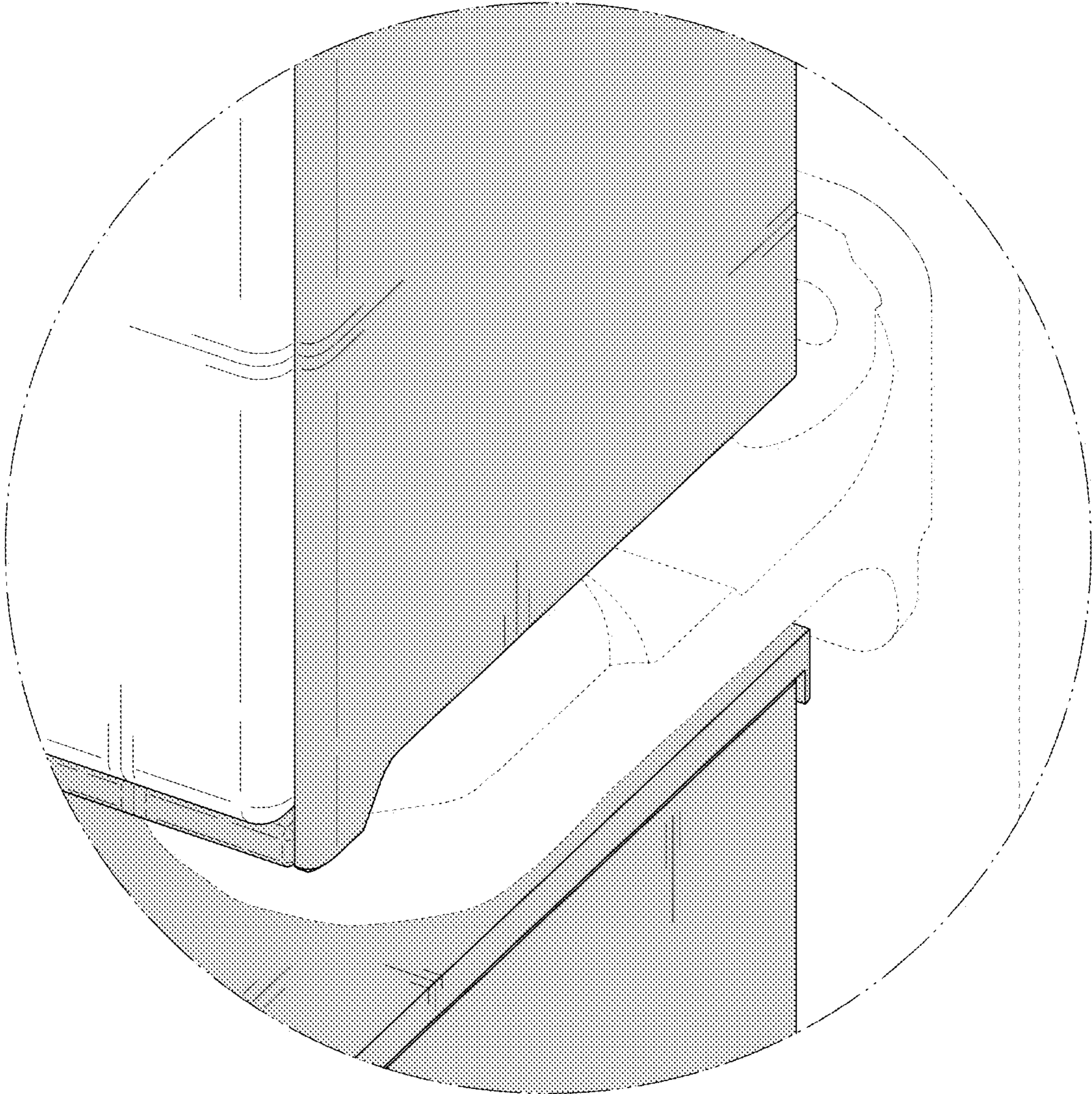


FIG. 10

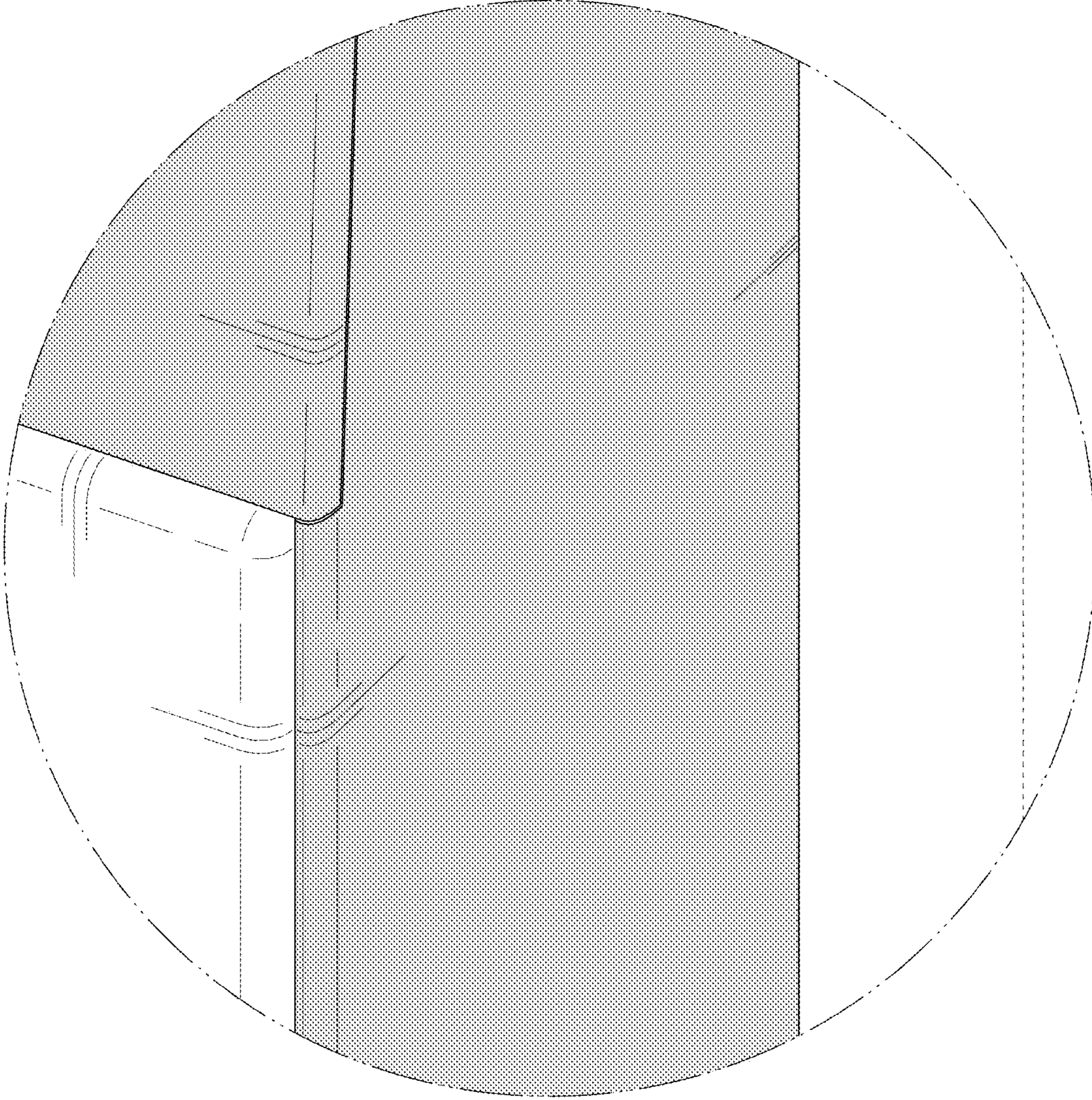




FIG. 11

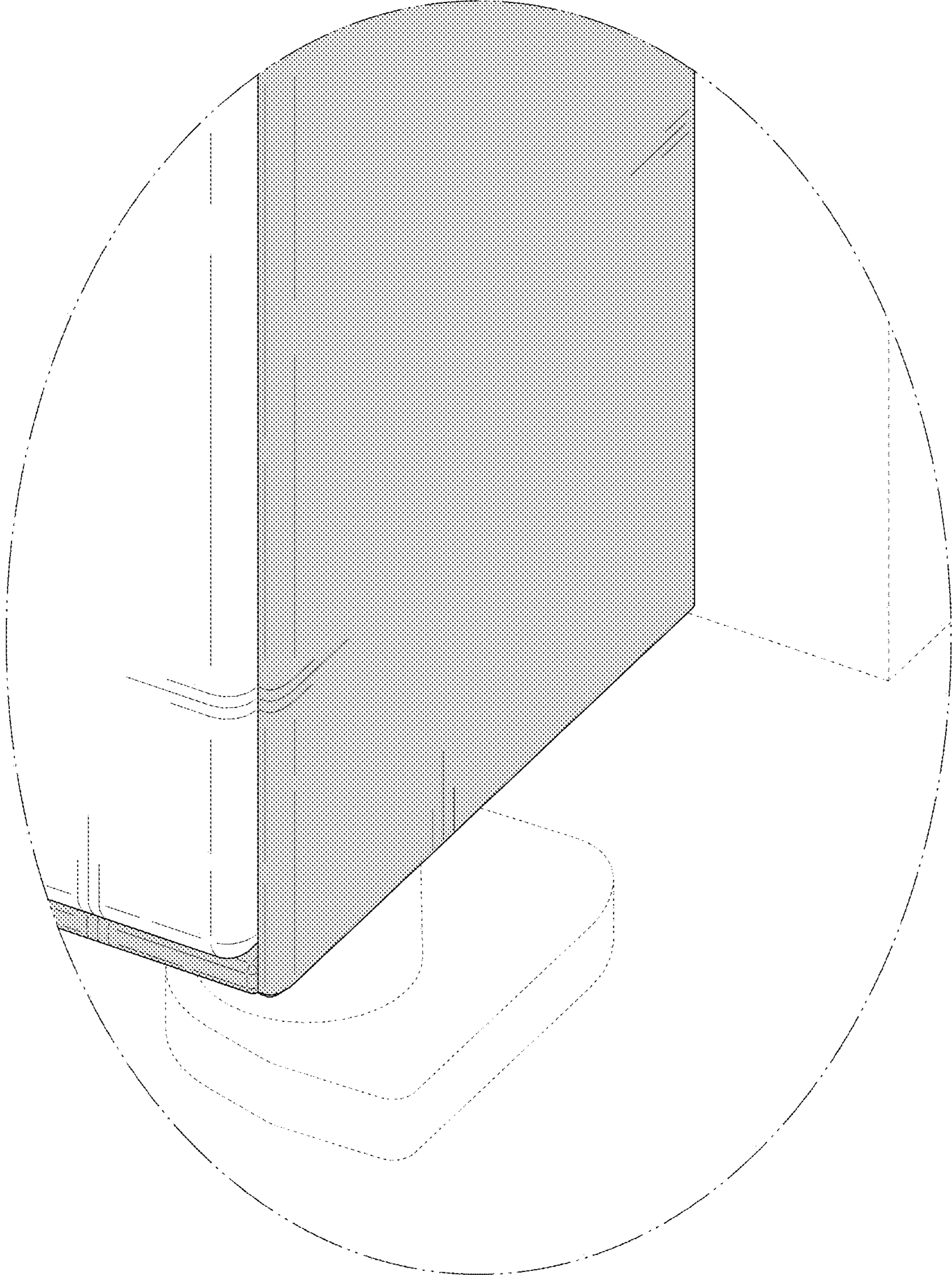


FIG. 12

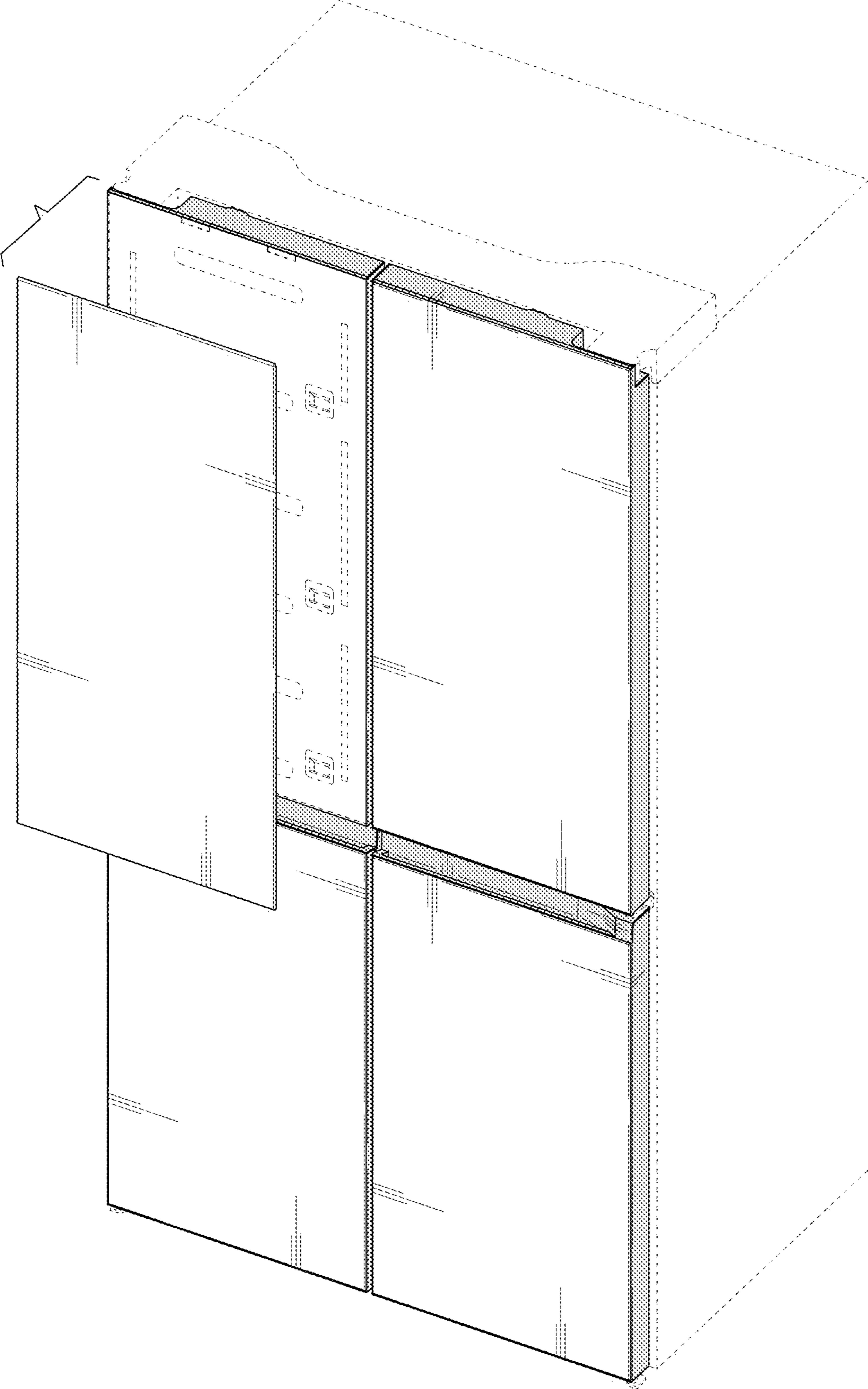




FIG. 13

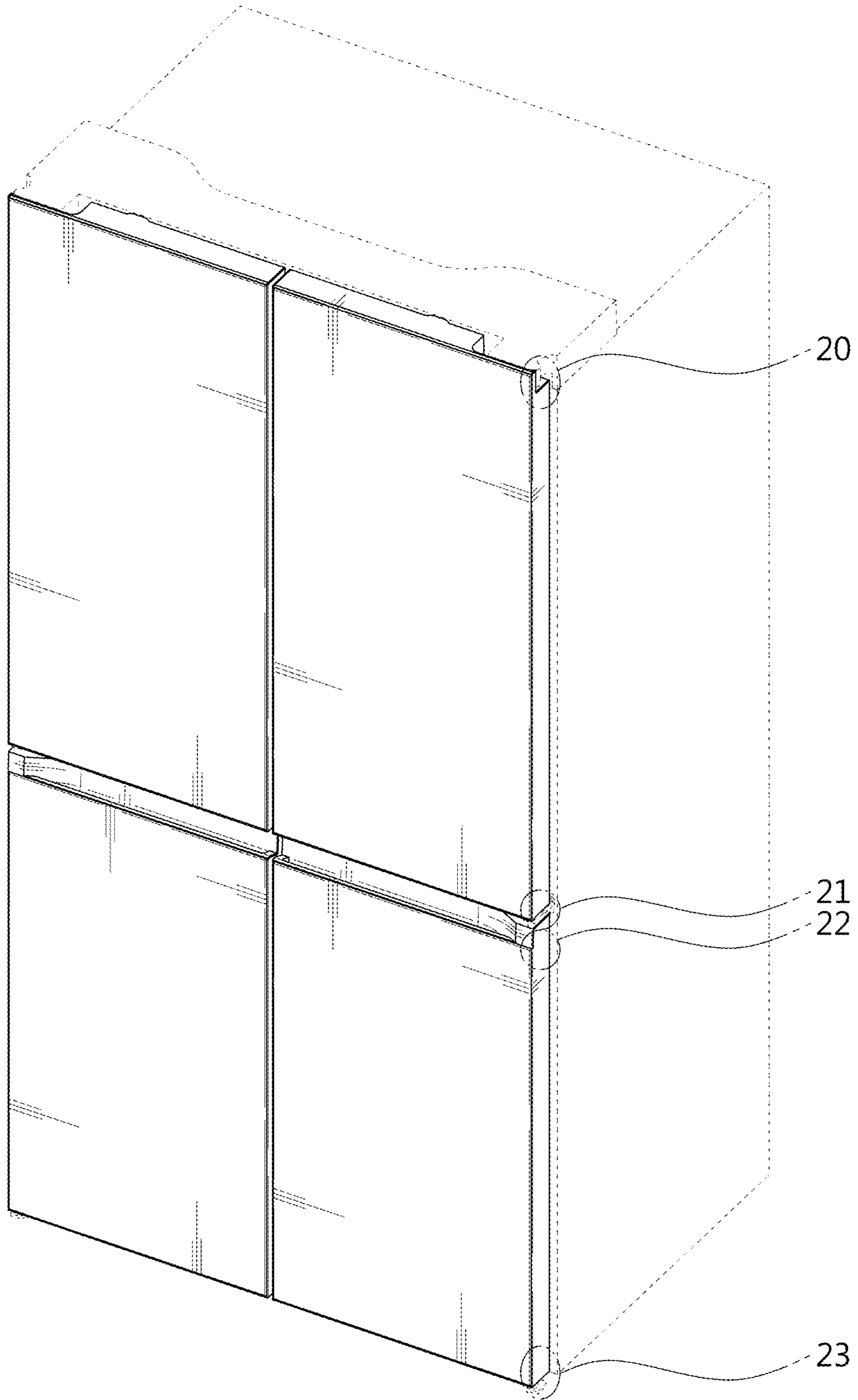


FIG. 14

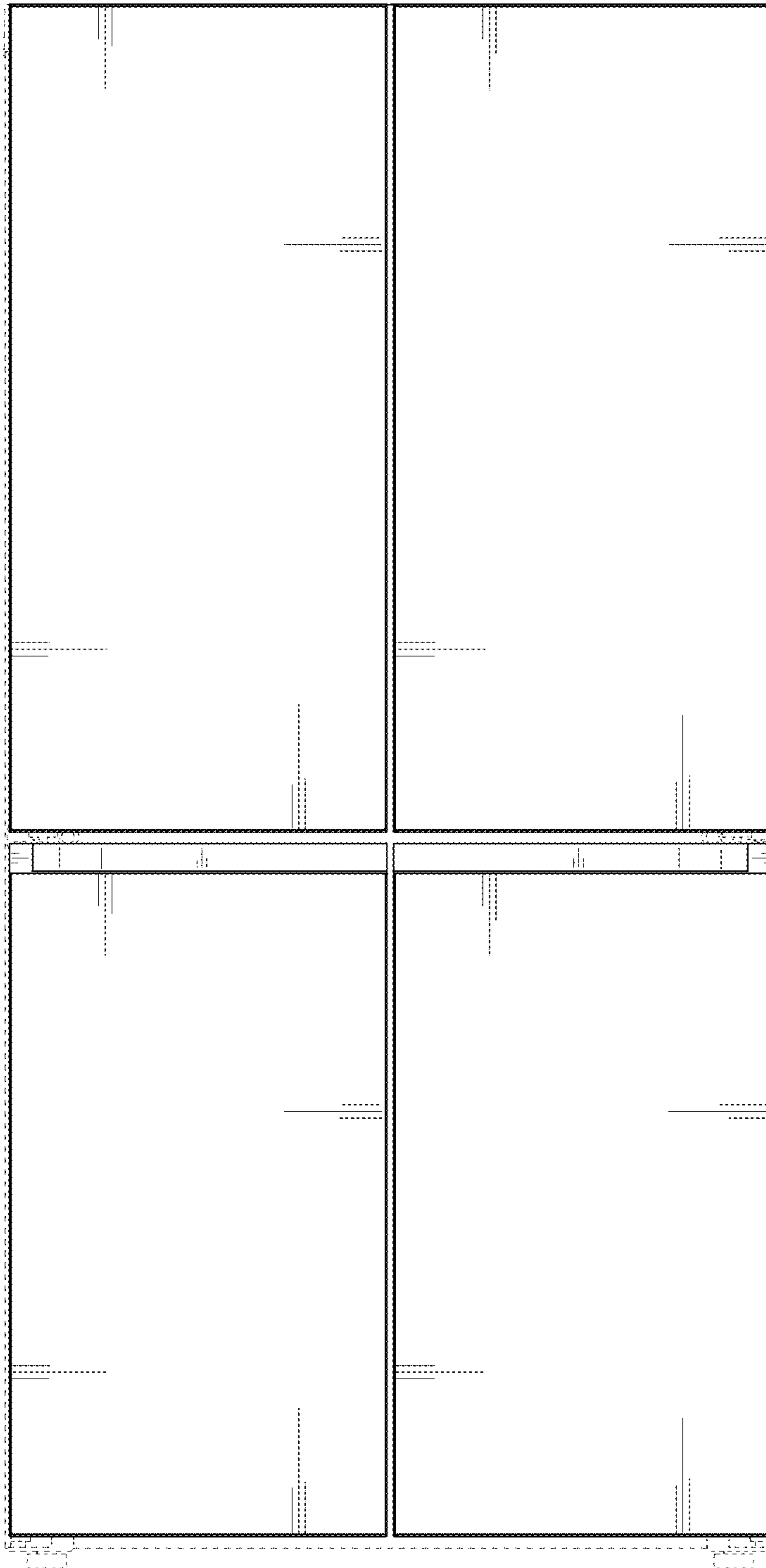


FIG. 15



FIG. 16

FIG. 17

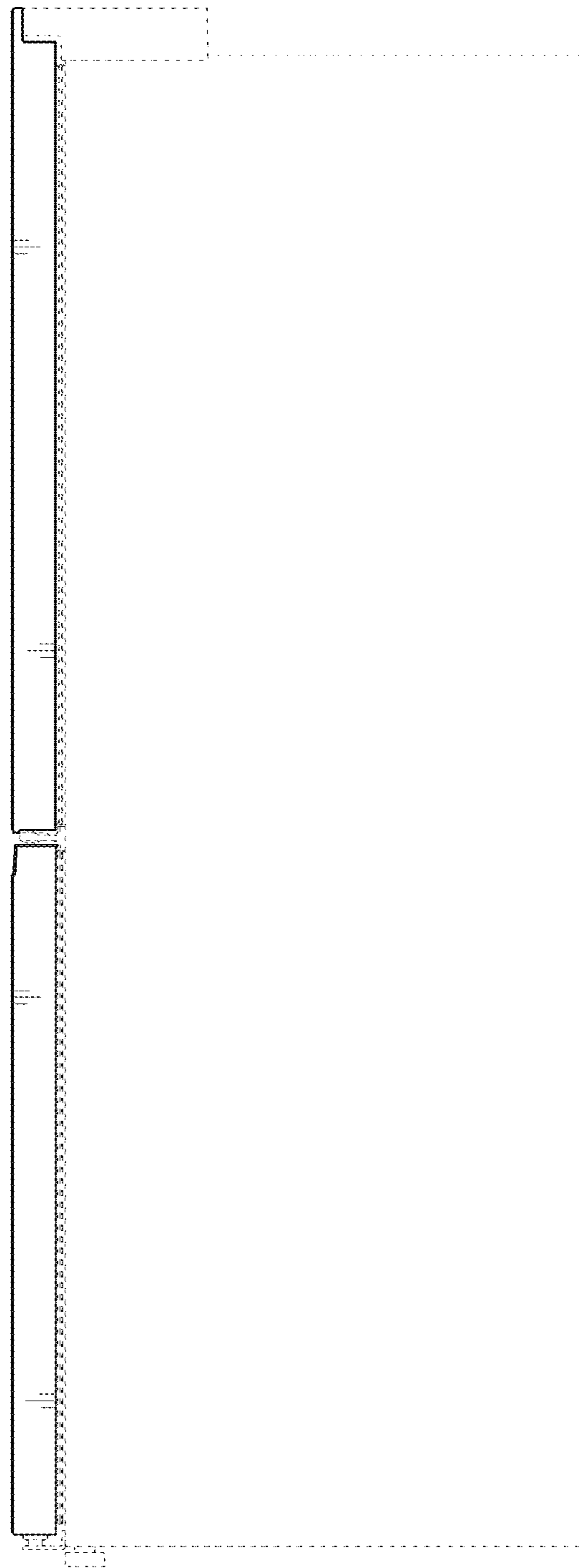
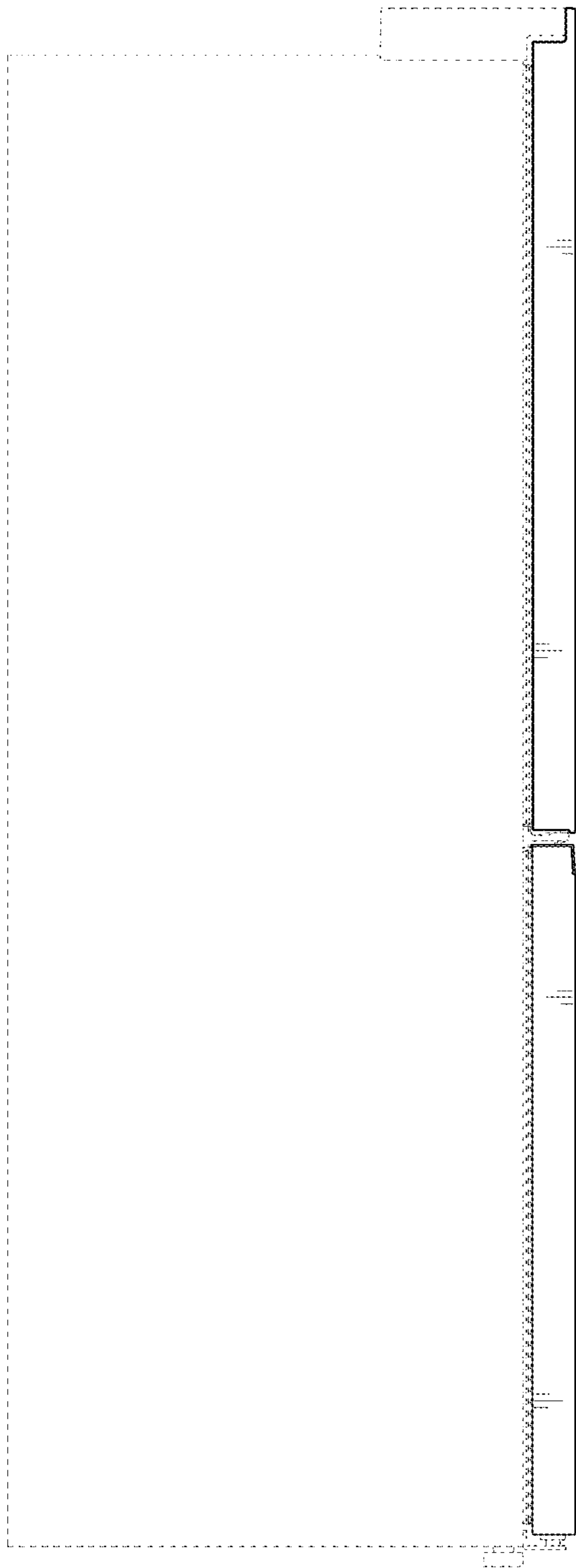




FIG. 18

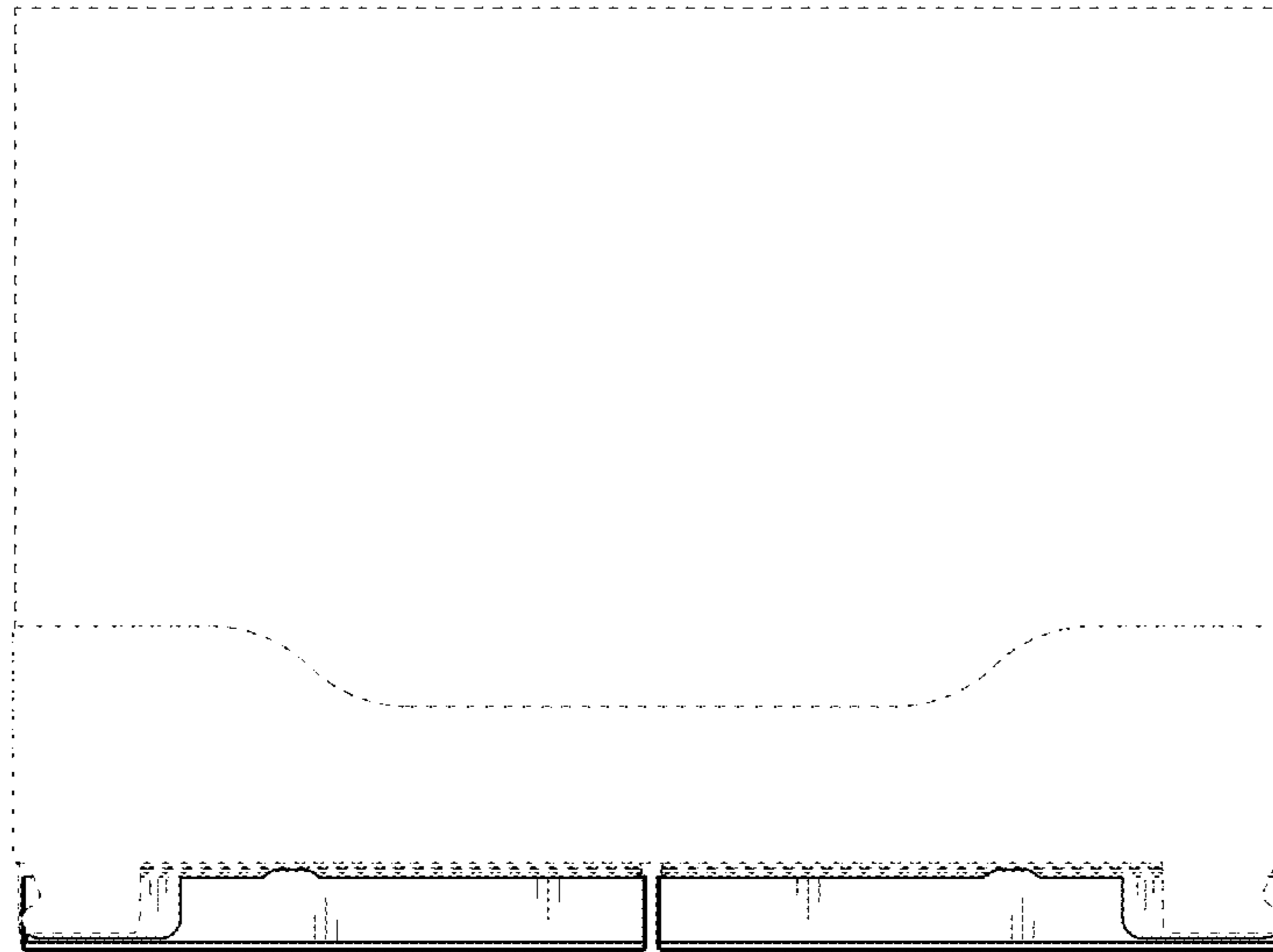


FIG. 19

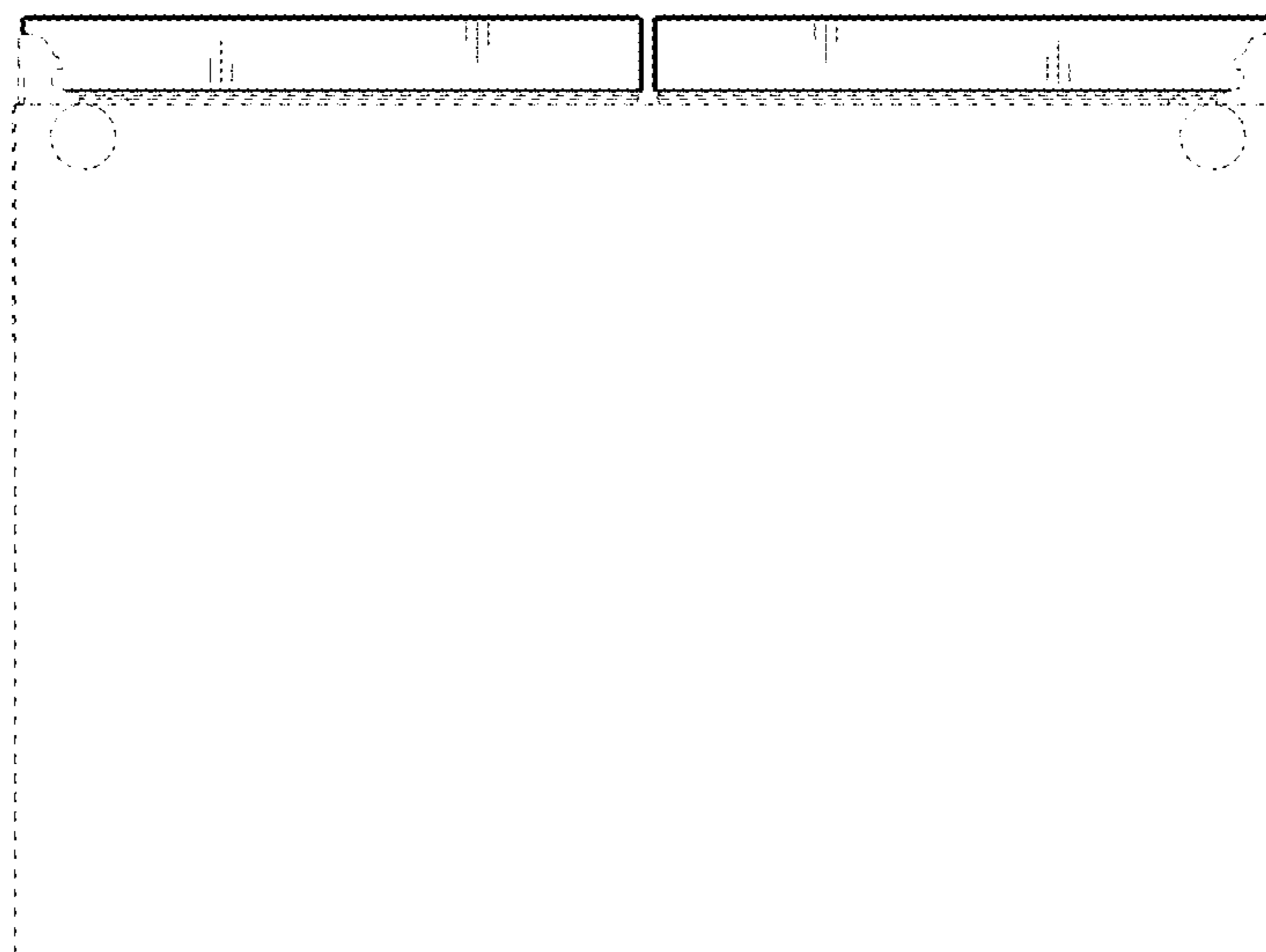


FIG. 20

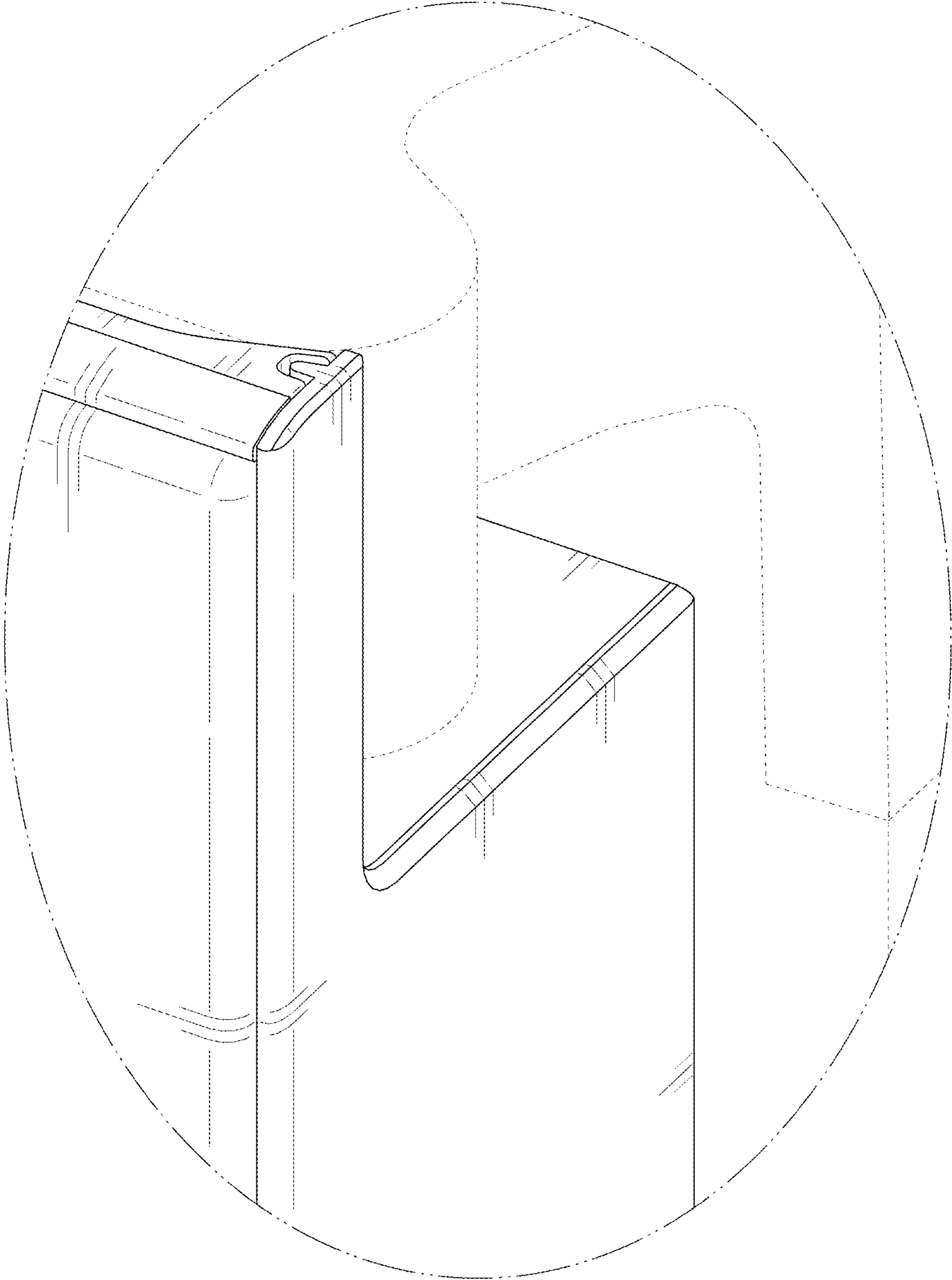


FIG. 21

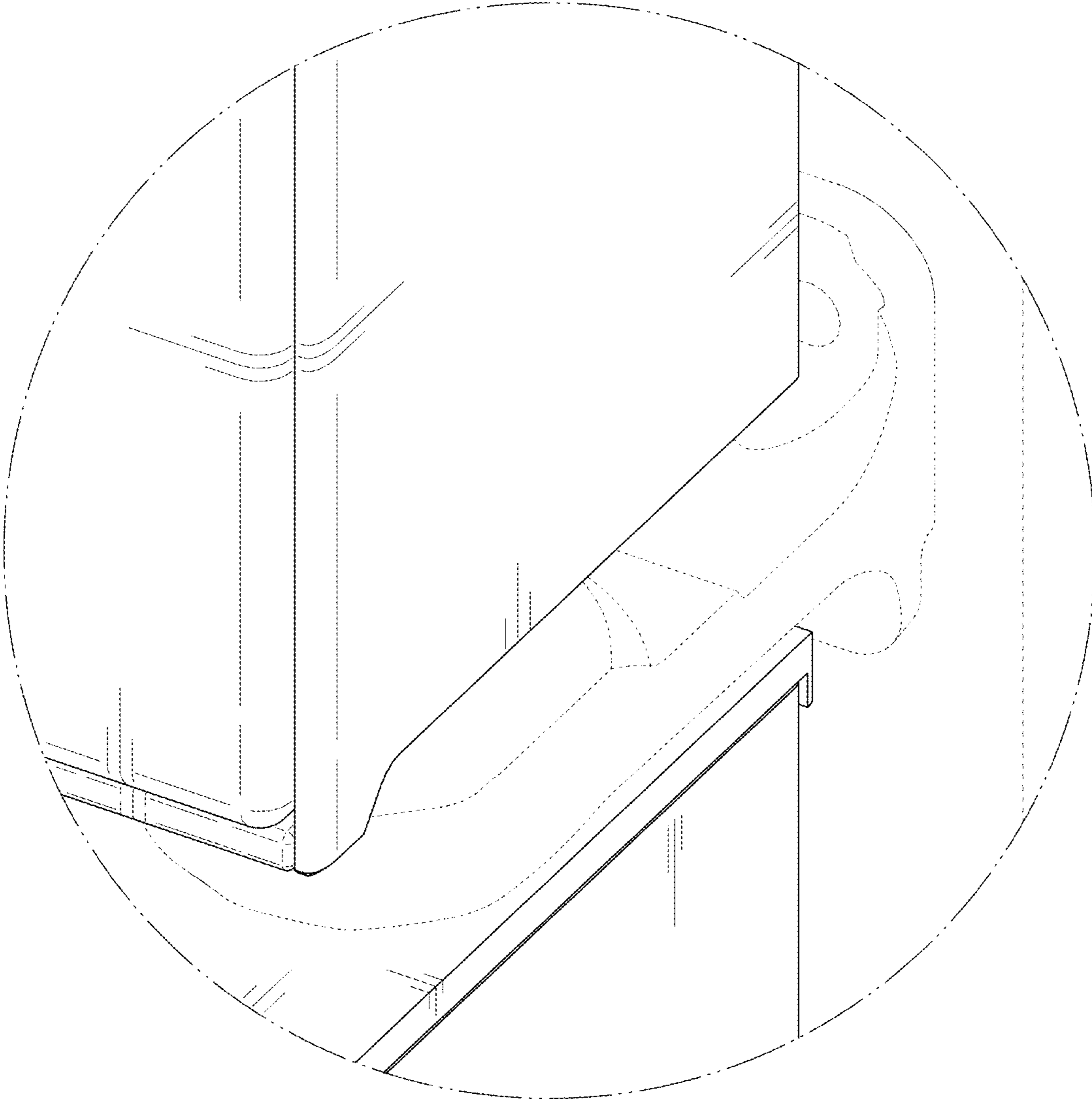


FIG. 22

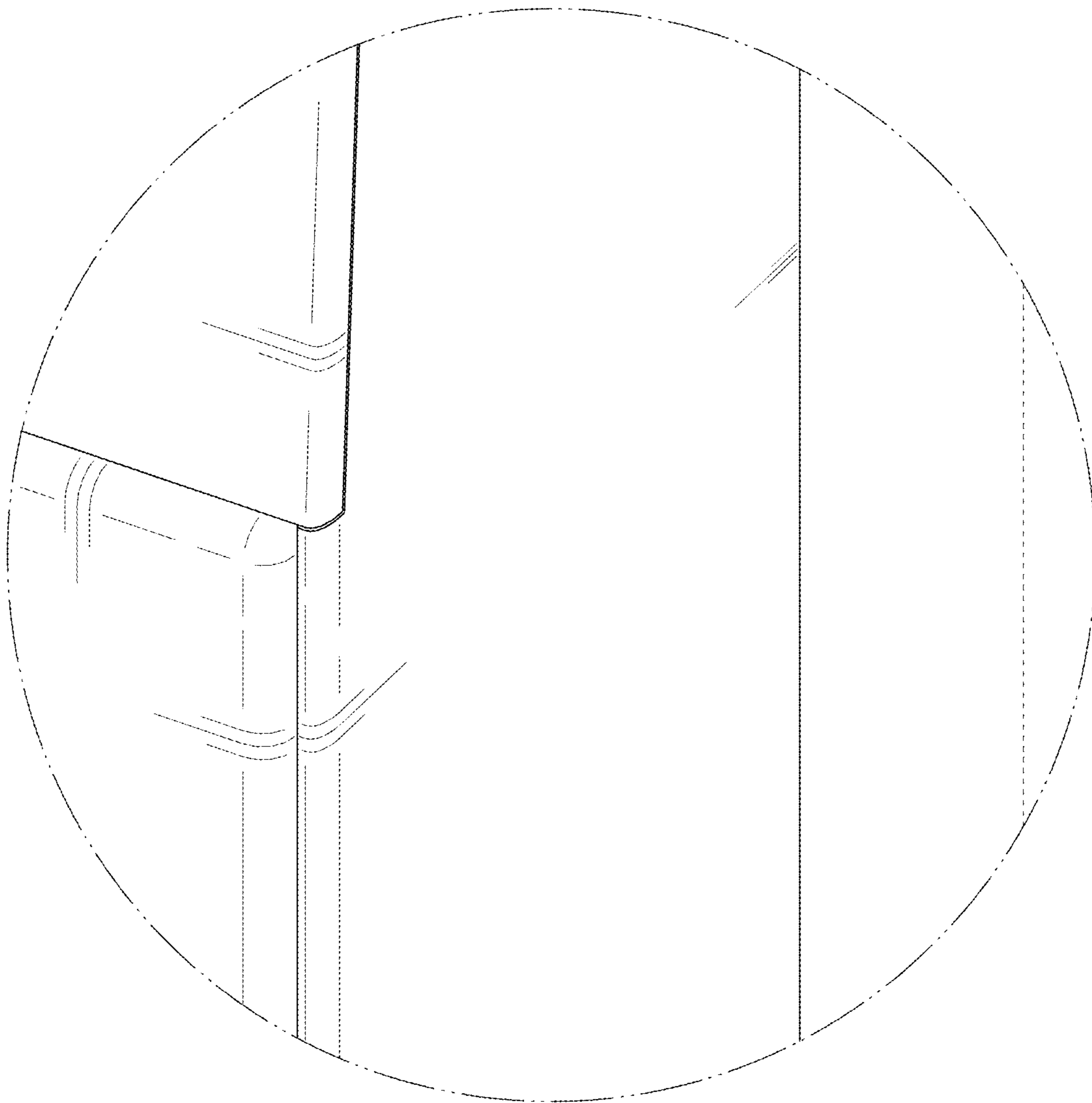




FIG. 23

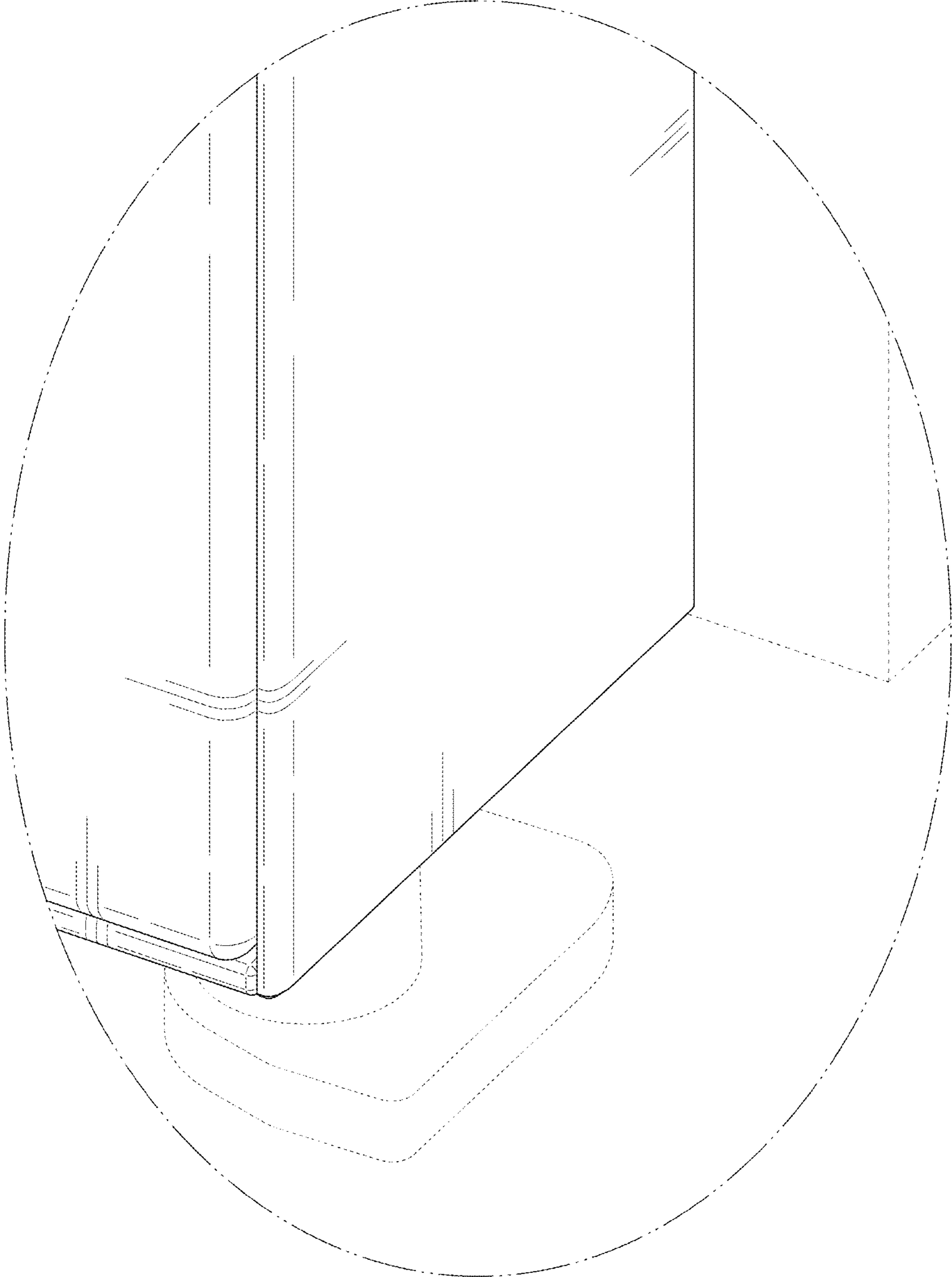


FIG. 24

