



US00D921713S

(12) **United States Design Patent**  
**Lee et al.**

(10) **Patent No.:** **US D921,713 S**  
(45) **Date of Patent:** **\*\* Jun. 8, 2021**

(54) **REFRIGERATOR**

- (71) Applicant: **Samsung Electronics Co., Ltd.**,  
Suwon-si (KR)
- (72) Inventors: **Seonju Lee**, Suwon-si (KR); **Jaemin Lee**, Suwon-si (KR); **Aeryun Kim**, Suwon-si (KR); **Jangwon Kim**, Suwon-si (KR); **Seokwoo Kim**, Suwon-si (KR)
- (73) Assignee: **Samsung Electronics Co., Ltd.**,  
Suwon-si (KR)

(\*\*) Term: **15 Years**

(21) Appl. No.: **29/722,462**

(22) Filed: **Jan. 30, 2020**

(30) **Foreign Application Priority Data**

Aug. 8, 2019 (KR) ..... 30-2019-0037986

(51) **LOC (13) Cl.** ..... **15-07**

(52) **U.S. Cl.**  
USPC ..... **D15/86**

(58) **Field of Classification Search**  
USPC ..... D15/79, 80, 81, 82, 83, 84, 85, 86, 87,  
D15/88, 89, 90, 91

(Continued)

(56) **References Cited**

**U.S. PATENT DOCUMENTS**

D617,353 S 6/2010 Jeon et al.  
D658,213 S \* 4/2012 Seo ..... D15/86  
(Continued)

**FOREIGN PATENT DOCUMENTS**

CN 2016306297685 5/2017  
CN 2017301928943 12/2017

(Continued)

**OTHER PUBLICATIONS**

“Panasonic 380L variable frequency air-cooled frost free multi door refrigerator top compressor Ag silver ion sterilization toughened” [2020] www.openchinacart.com Jan. 30, 2020 <https://www.openchinacart.com/supermall/11463212130>.

(Continued)

*Primary Examiner* — Mojtaba Tehrani  
(74) *Attorney, Agent, or Firm* — NSIP Law

(57) **CLAIM**

We claim the ornamental design for a refrigerator, as shown and described.

**DESCRIPTION**

FIG. 1 is a front perspective view of a first embodiment of a refrigerator showing our new design;  
 FIG. 2 is a front view thereof;  
 FIG. 3 is a rear view thereof;  
 FIG. 4 is a left-side view thereof;  
 FIG. 5 is a right-side view thereof;  
 FIG. 6 is a top view thereof;  
 FIG. 7 is a bottom view thereof;  
 FIG. 8 is an enlarged view of the encircled portion 8 shown in FIG. 1;  
 FIG. 9 is an enlarged view of the encircled portion 9 shown in FIG. 1;  
 FIG. 10 is an enlarged view of the encircled portion 10 shown in FIG. 1;  
 FIG. 11 is an exploded view in which the upper right-side front panel portion is shown separated from the refrigerator;  
 FIG. 12 is a front perspective view of a second embodiment of a refrigerator showing our new design;  
 FIG. 13 is a front view thereof;  
 FIG. 14 is a rear view thereof;  
 FIG. 15 is a left-side view thereof;  
 FIG. 16 is a right-side view thereof;  
 FIG. 17 is a top view thereof;  
 FIG. 18 is a bottom view thereof;  
 FIG. 19 is an enlarged view of the encircled portion 19 shown in FIG. 12;

(Continued)

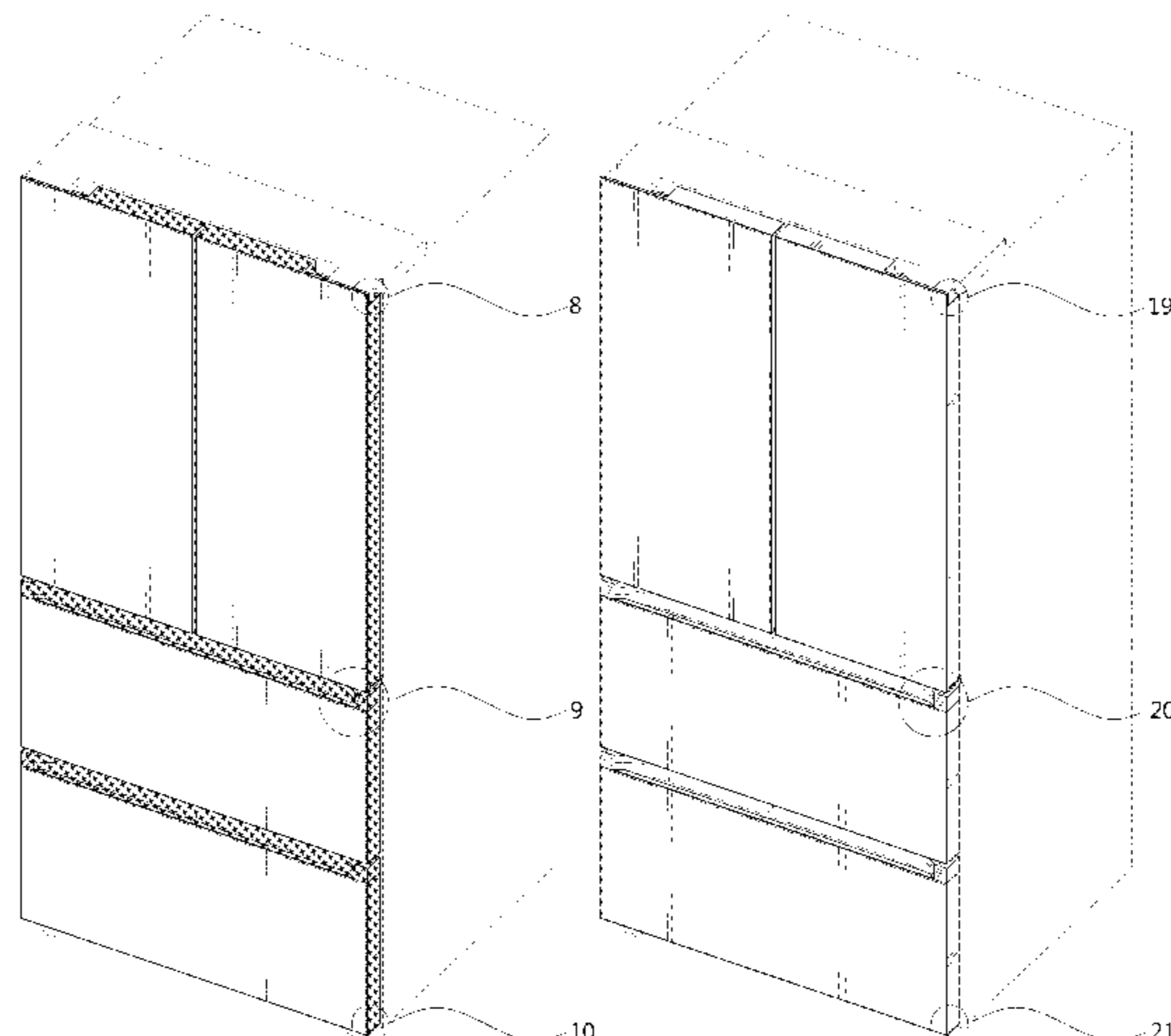


FIG. 20 is an enlarged view of the encircled portion 20 shown in FIG. 12;

FIG. 21 is an enlarged view of the encircled portion 21 shown in FIG. 12; and,

FIG. 22 is an exploded view in which the upper right-side front panel portion is shown separated from the refrigerator. The short dash-dash broken lines in the figures depict portions of the refrigerator which form no part of the claimed design.

The dot-dot-dash broken lines encircling portions of the claimed design that are illustrated in enlargements form no part of the claimed design.

The gray tones shown in FIGS. 1 to 11 indicate that the gray portions are the same contrasting color, and do not represent any particular color.

**1 Claim, 22 Drawing Sheets**

(58) **Field of Classification Search**

CPC ..... F25C 2400/10; F25D 2400/10; F25D 2400/12; F25D 2400/14; F25D 2400/18; G05B 2219/2654; G09F 23/0058; Y10S 292/71

See application file for complete search history.

(56) **References Cited**

U.S. PATENT DOCUMENTS

D674,823 S *	1/2013	Jidam .....	D15/86
D676,467 S *	2/2013	Kim .....	D15/86
D686,644 S *	7/2013	Lee .....	D15/86
D696,305 S *	12/2013	Kim .....	D15/86
D702,739 S *	4/2014	Kim .....	D15/86
D771,724 S *	11/2016	Jeon .....	D15/86
D773,538 S *	12/2016	Jeon .....	D15/86

D786,318 S *	5/2017	Kim .....	D15/86
D786,947 S *	5/2017	Kim .....	D15/86
D789,995 S *	6/2017	Kim .....	D15/85
D794,685 S *	8/2017	Wang .....	D15/86
D798,342 S *	9/2017	Kim .....	D15/86
D798,344 S *	9/2017	Kim .....	D15/86
D810,794 S *	2/2018	Kim .....	D15/85
D825,624 S *	8/2018	Kwon .....	D15/91
D827,683 S *	9/2018	Jeon .....	D15/85
D835,688 S *	12/2018	Lee .....	D15/85
D836,683 S *	12/2018	Jeon .....	D15/86
D837,840 S *	1/2019	Choi .....	D15/81
D837,841 S *	1/2019	Choi .....	D15/81
D841,060 S *	2/2019	Jeon .....	D15/91
D850,497 S *	6/2019	Kim .....	D15/86
D850,498 S *	6/2019	Kim .....	D15/86
D875,792 S *	2/2020	Huang .....	D15/85
D876,490 S *	2/2020	Yu .....	D15/79
D888,110 S *	6/2020	Lee .....	D15/85
D905,130 S *	12/2020	Yeo .....	D15/86

FOREIGN PATENT DOCUMENTS

CN	2018302810939	1/2019
CN	201830742991	6/2019
EM	002506444-0009	1/2015
KR	30-2012-0023600	4/2013

OTHER PUBLICATIONS

“Panasonic Matsushita air-cooled frost energy-saving multi-door refrigerator drawer full navigation slim design +8 kg Automatic Frequency” [2020] [www.openchinacart.com](http://www.openchinacart.com) Jan. 30, 2020 <<https://www.openchinacart.com/supermall/15751419059>>.

“Panasonic 618l multi door refrigerator frameless mirror glass agate black wood chamber design intelligent Wifi nr-ew61tx1-m” [2020] [www.openchinacart.com](http://www.openchinacart.com) Jan. 30, 2020 <<https://www.openchinacart.com/supermall/4739662>>.

\* cited by examiner

FIG. 1

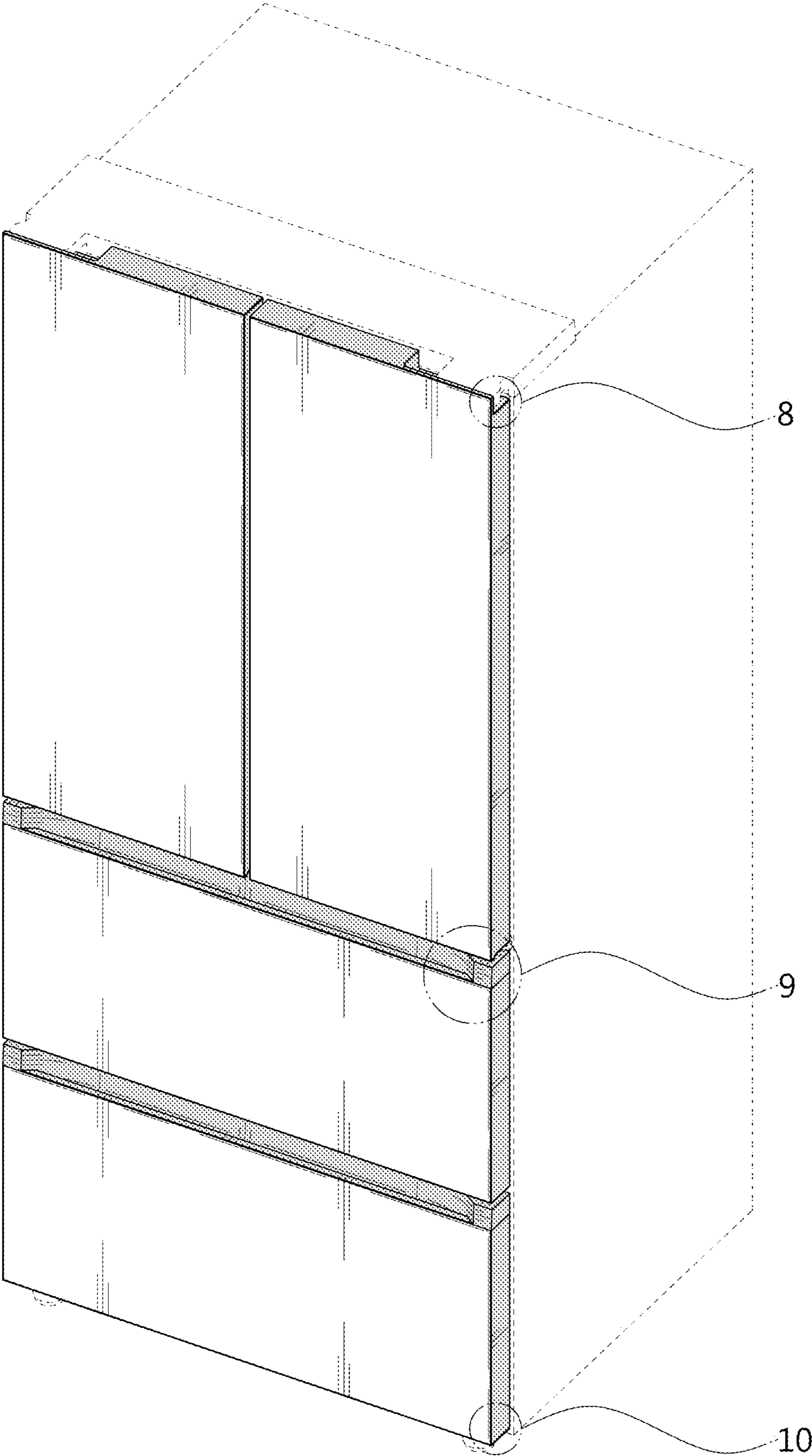


FIG. 2

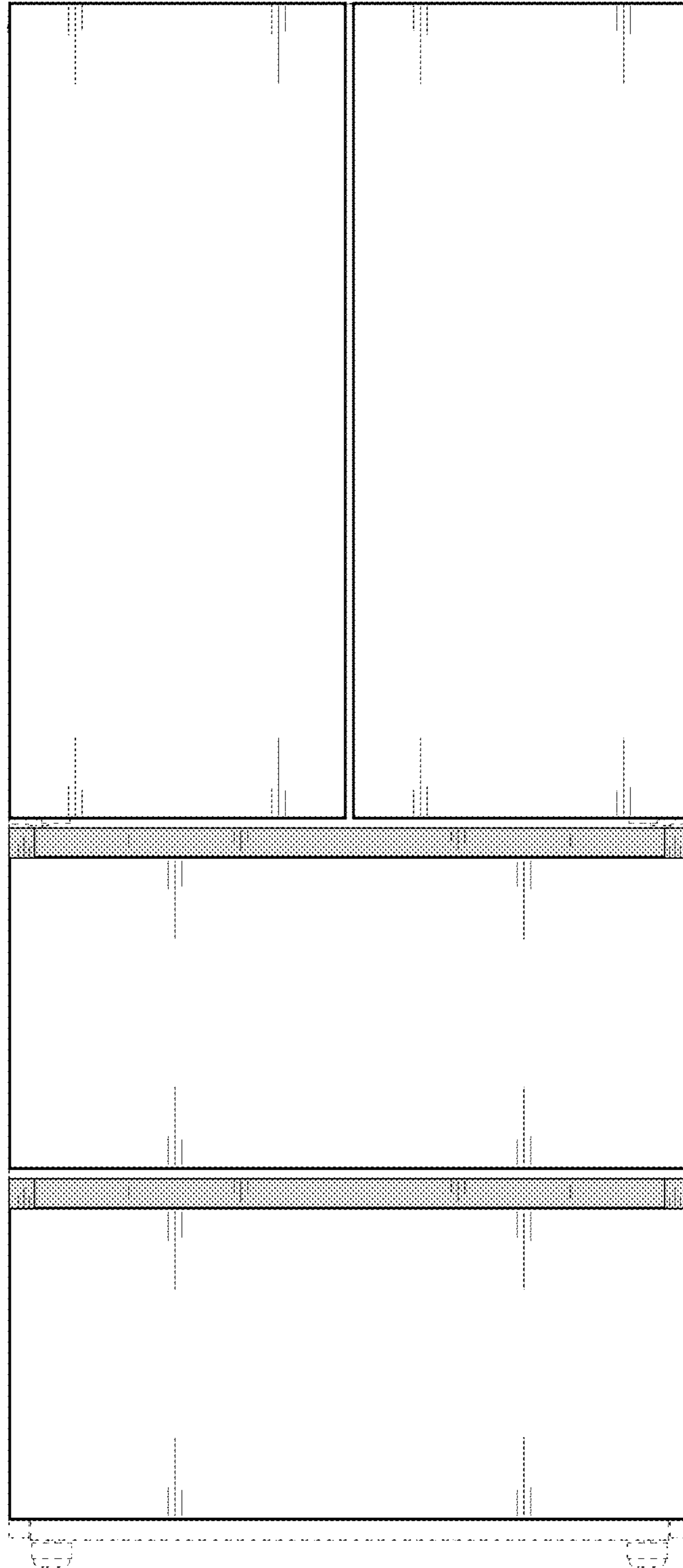




FIG. 3

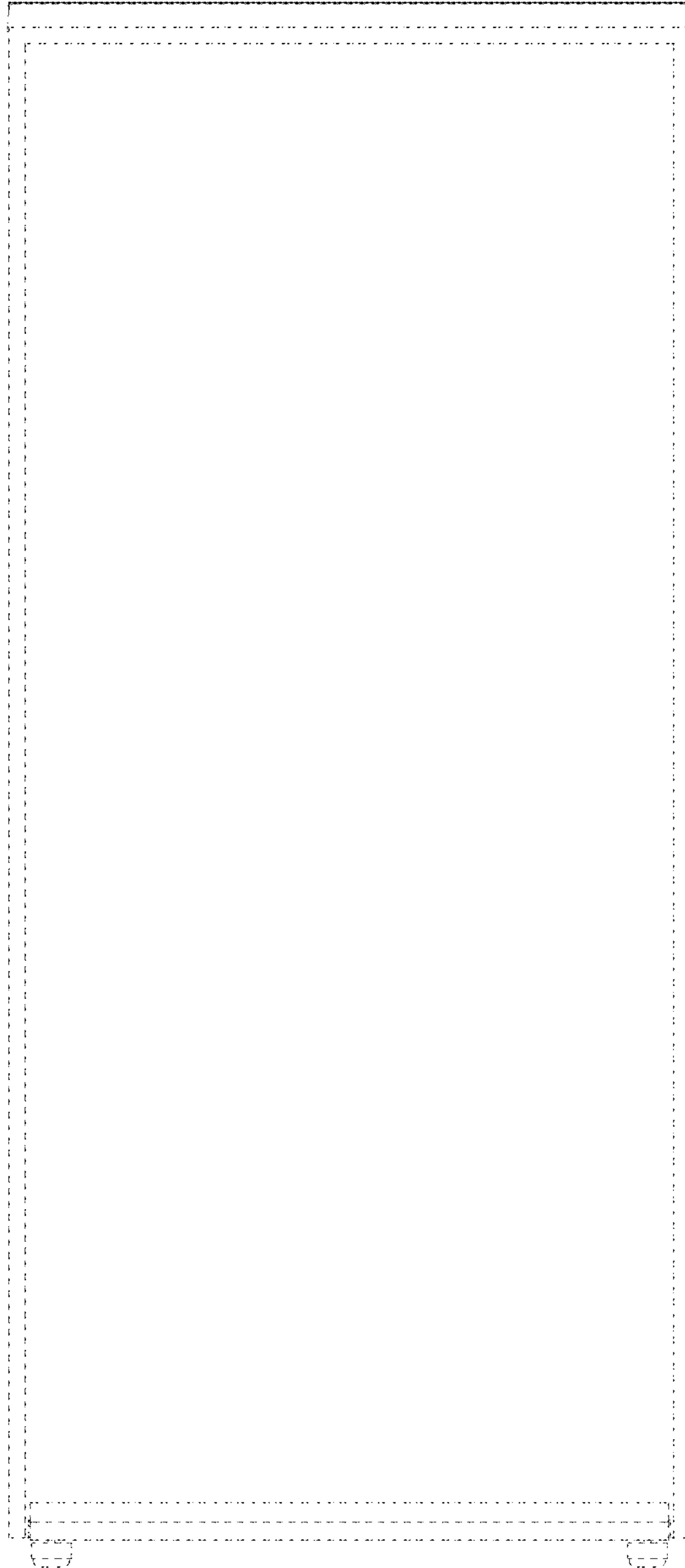


FIG. 4

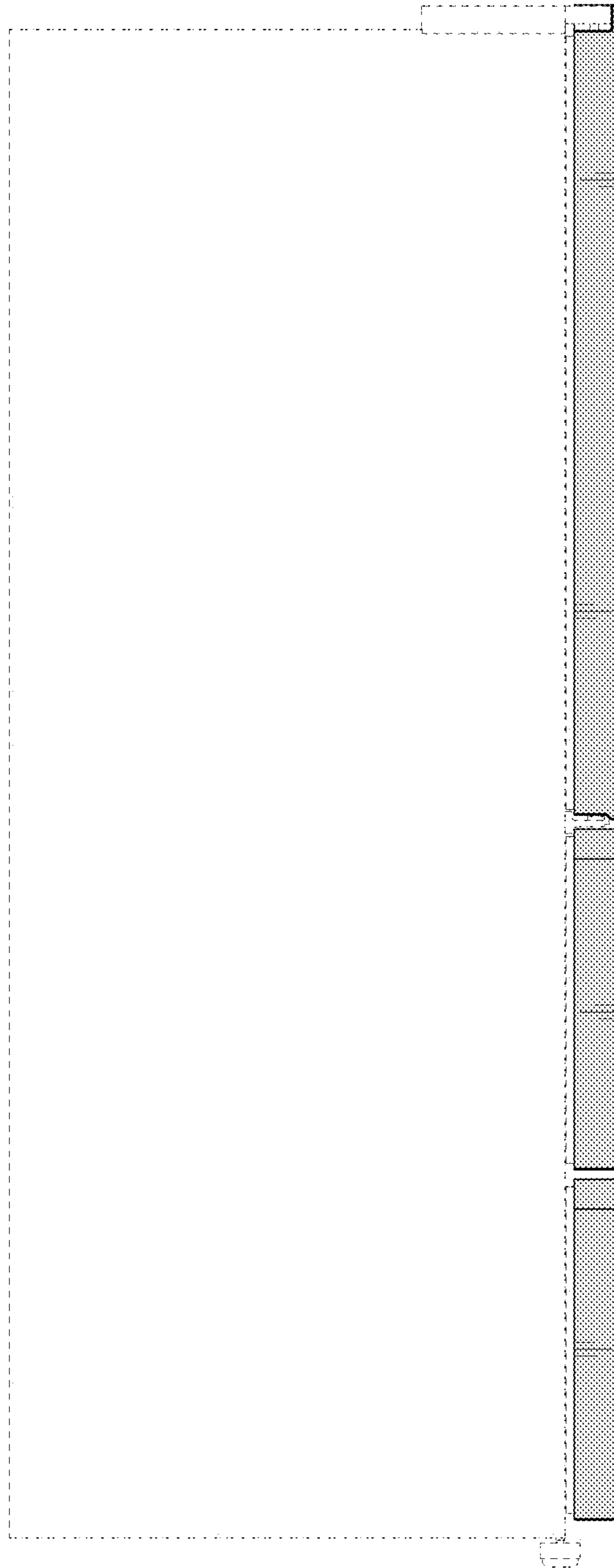


FIG. 5

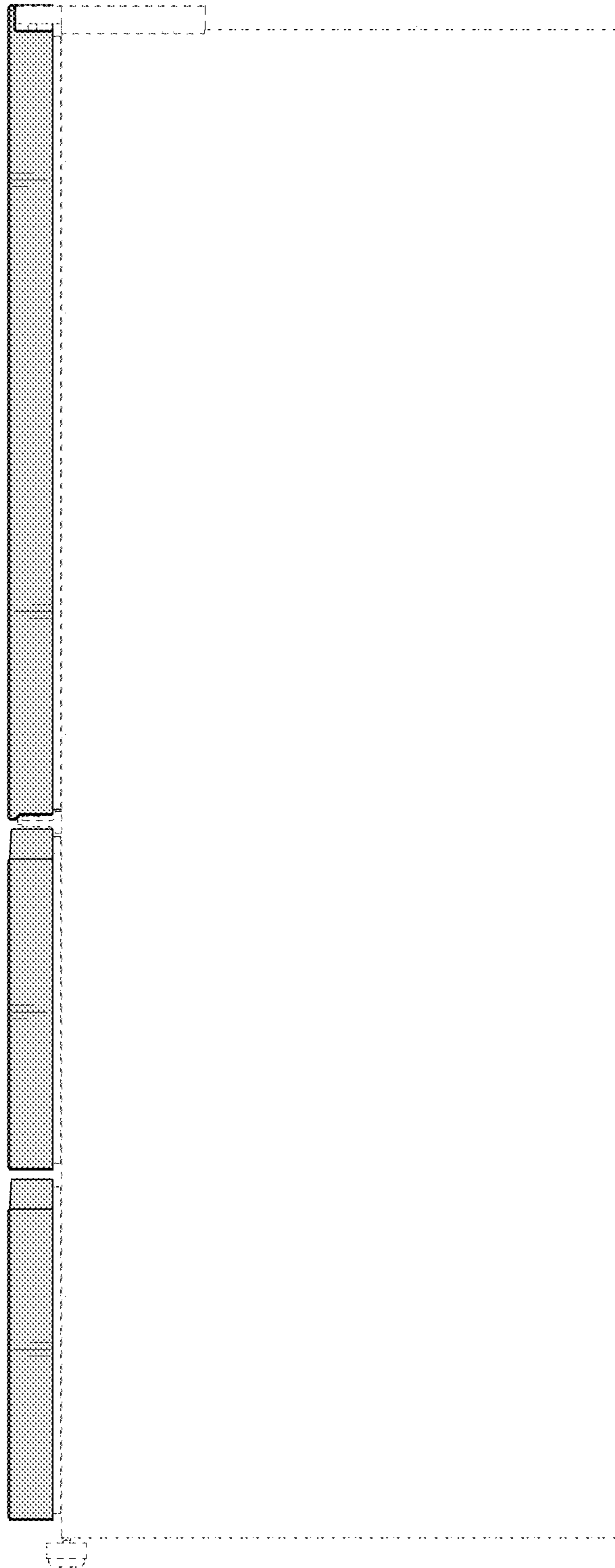


FIG. 6

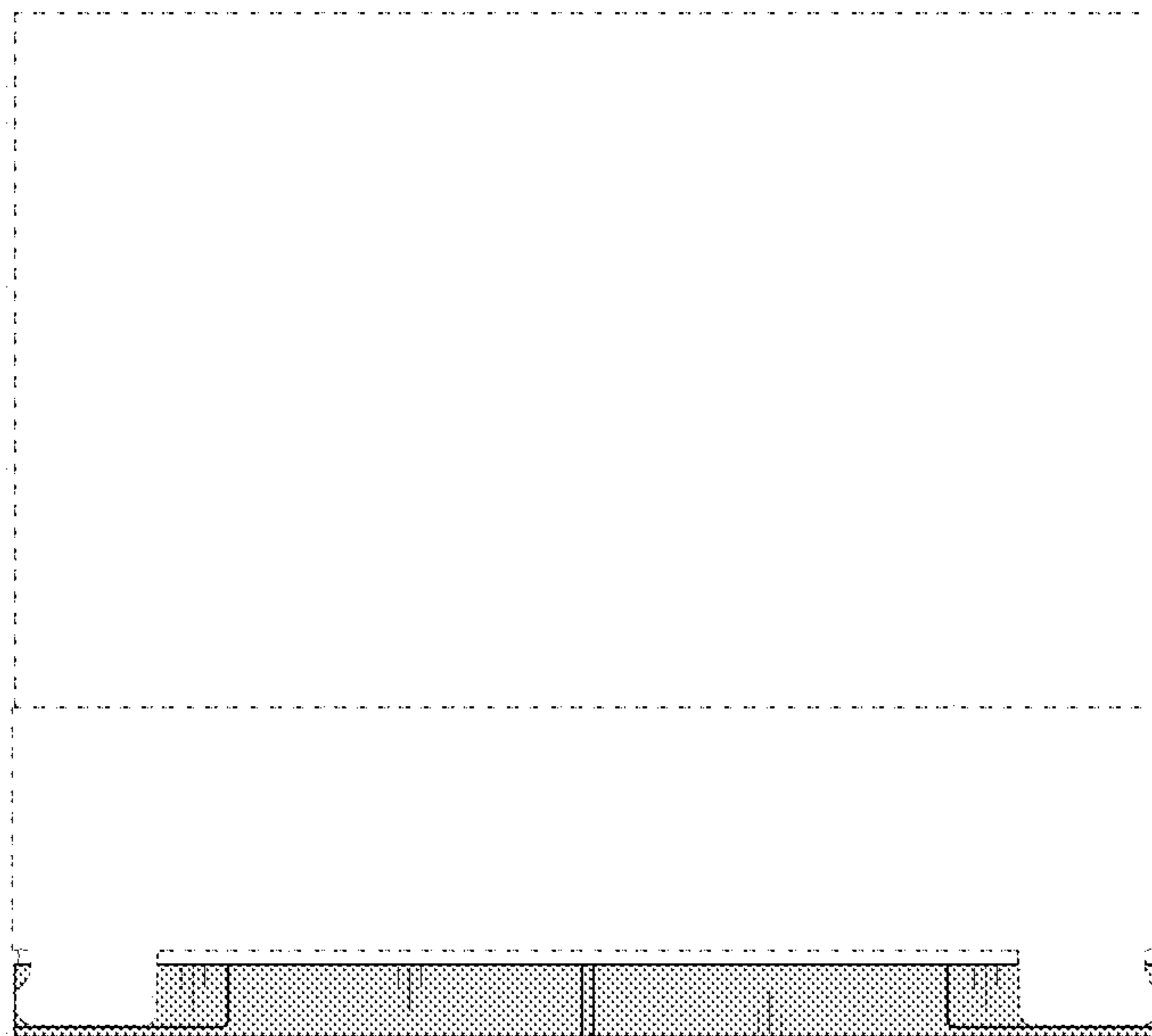




FIG. 7

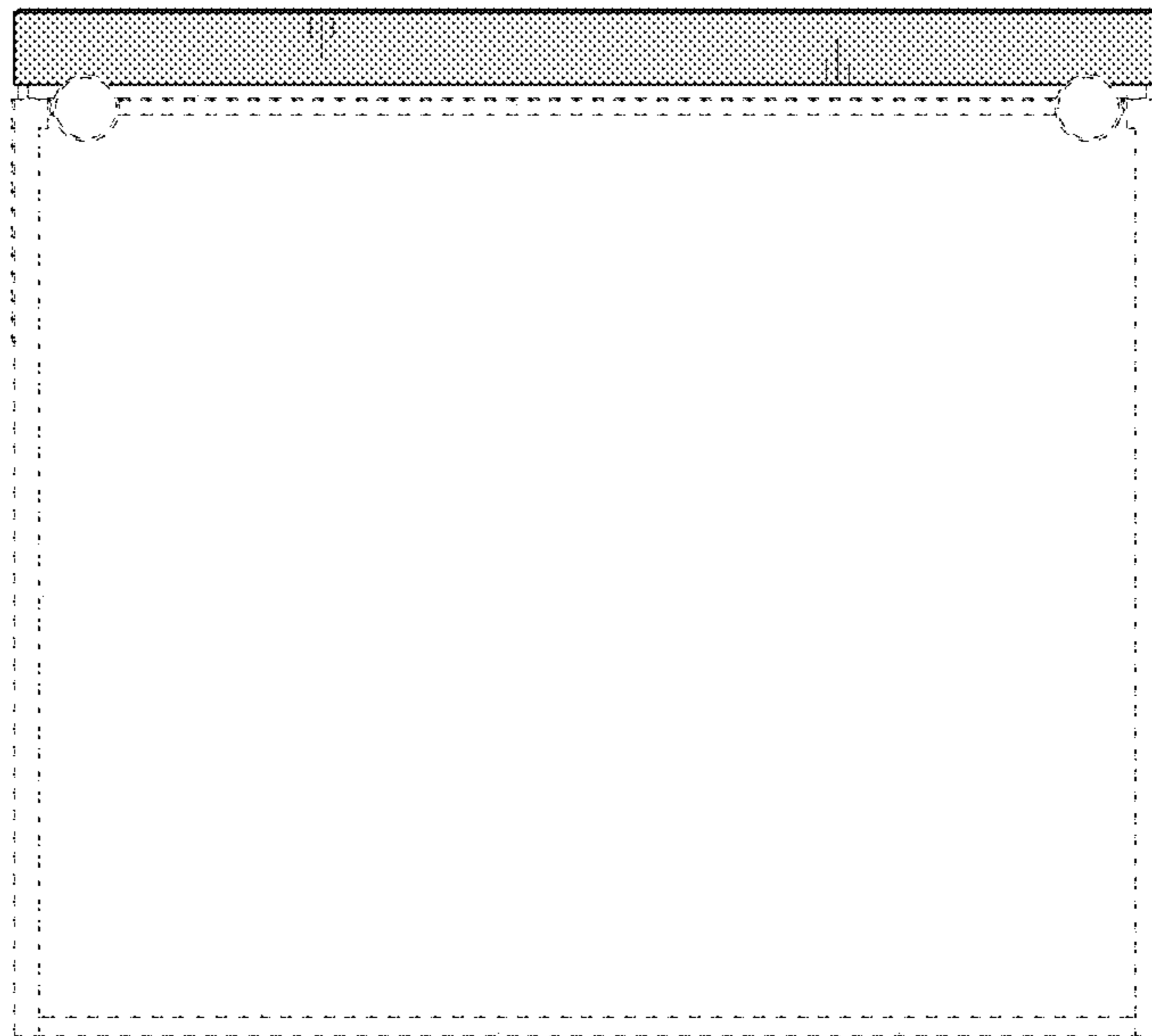


FIG. 8

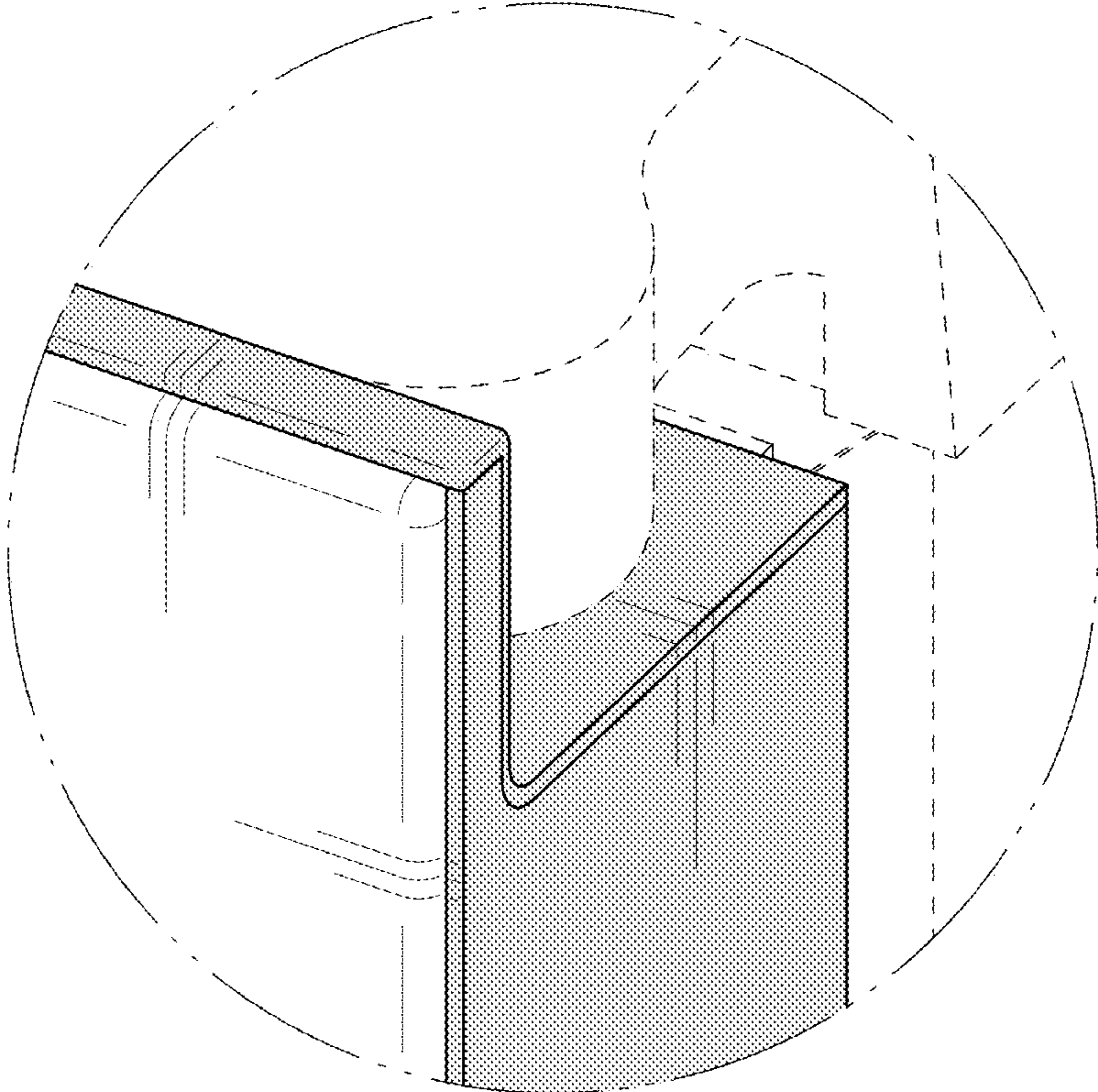


FIG. 9

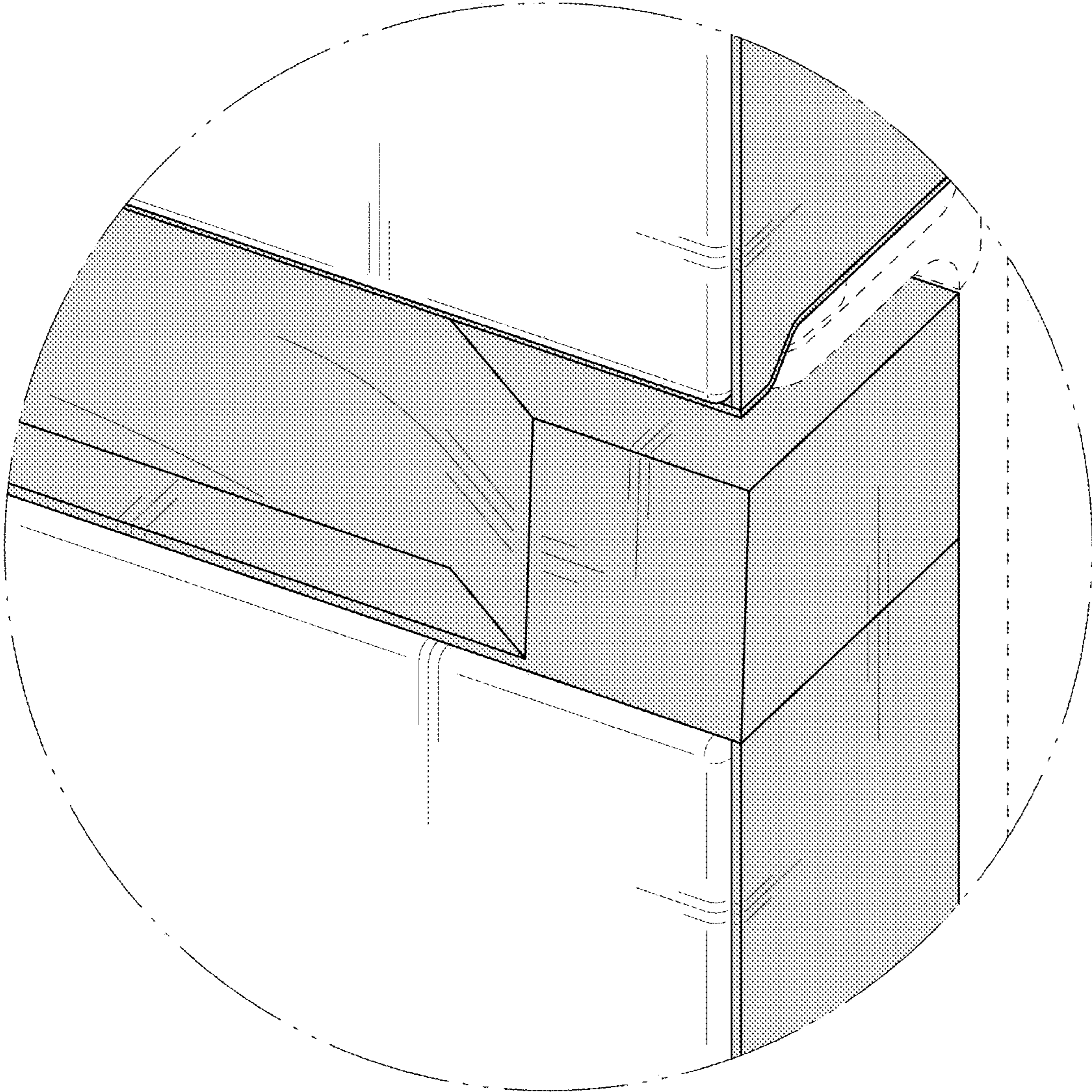


FIG. 10

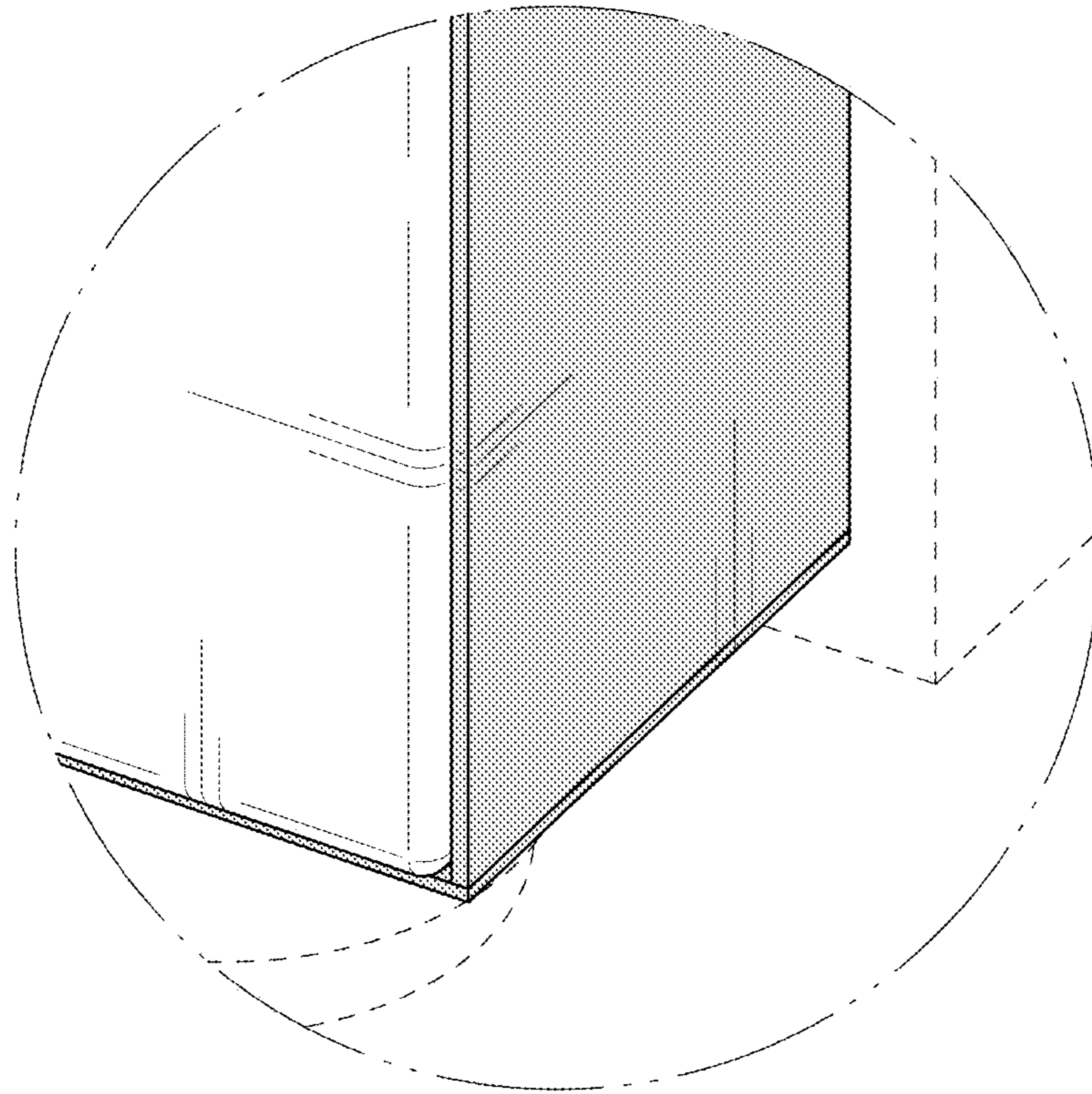


FIG. 11

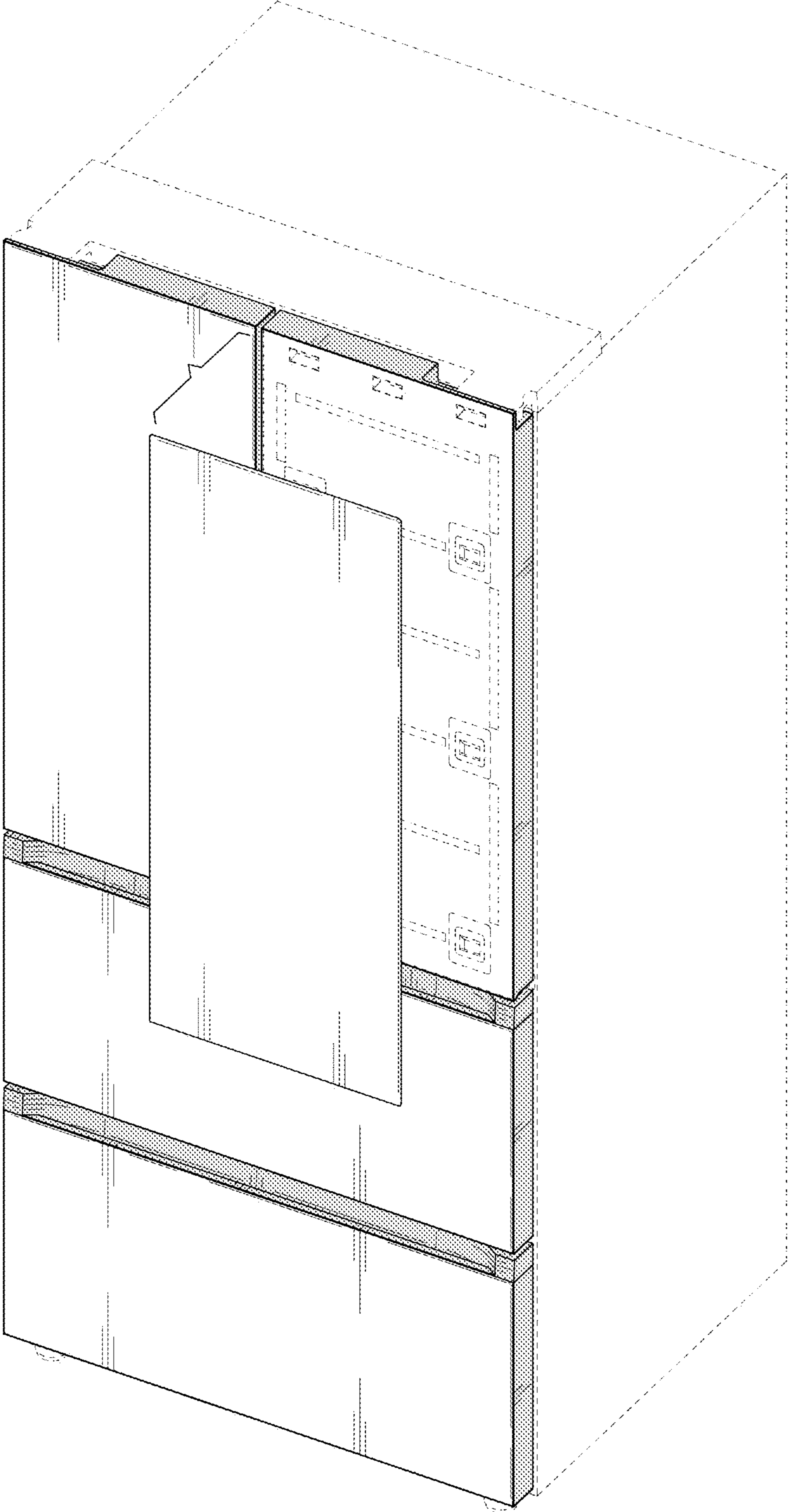




FIG. 12

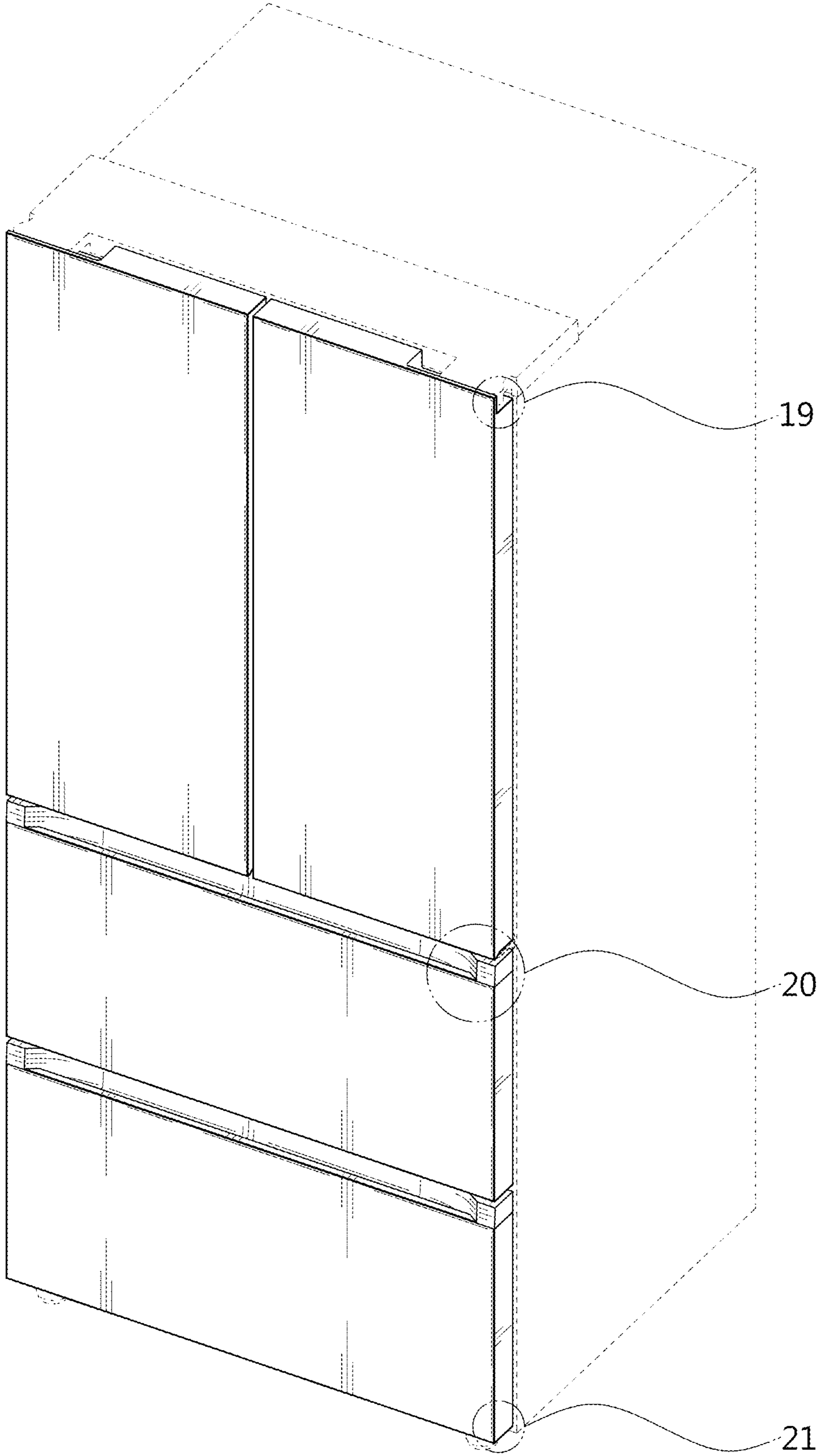


FIG. 13

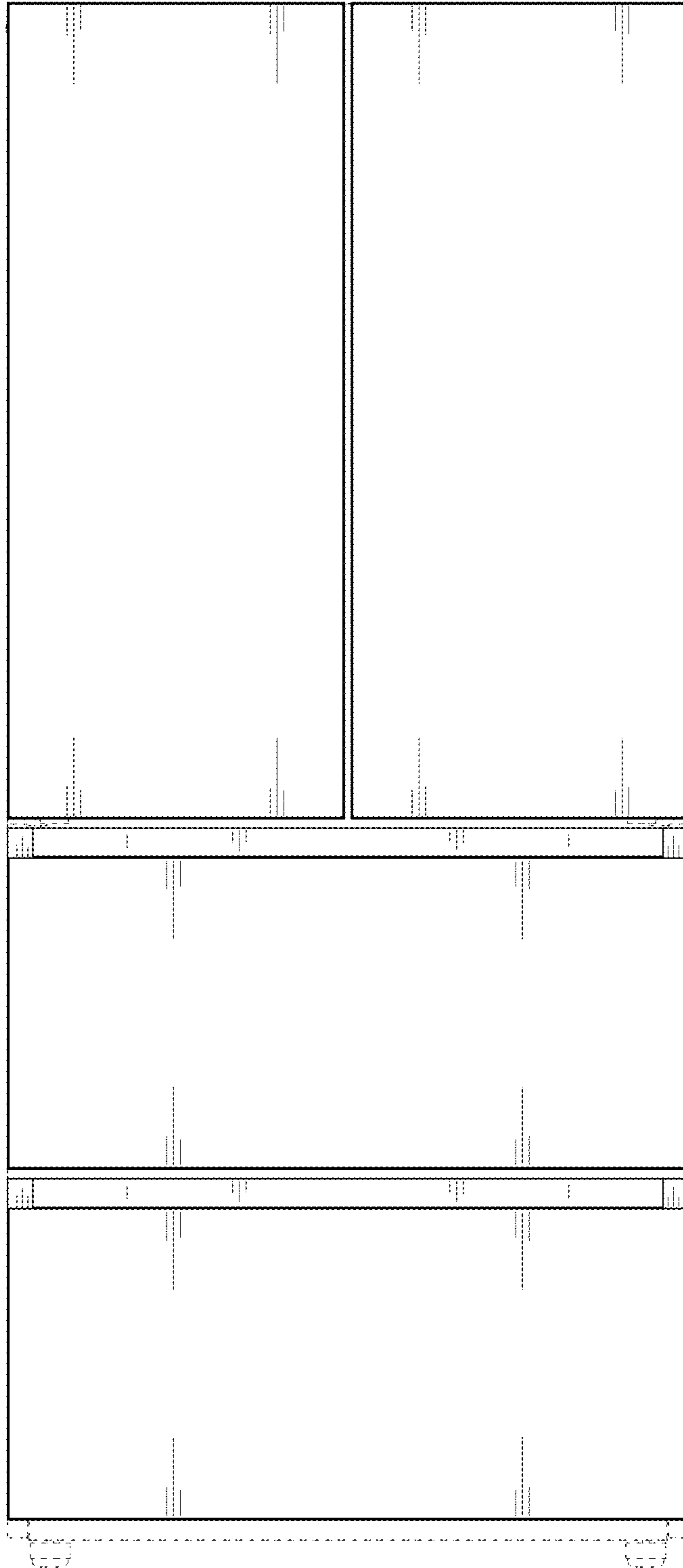


FIG. 14



FIG. 15

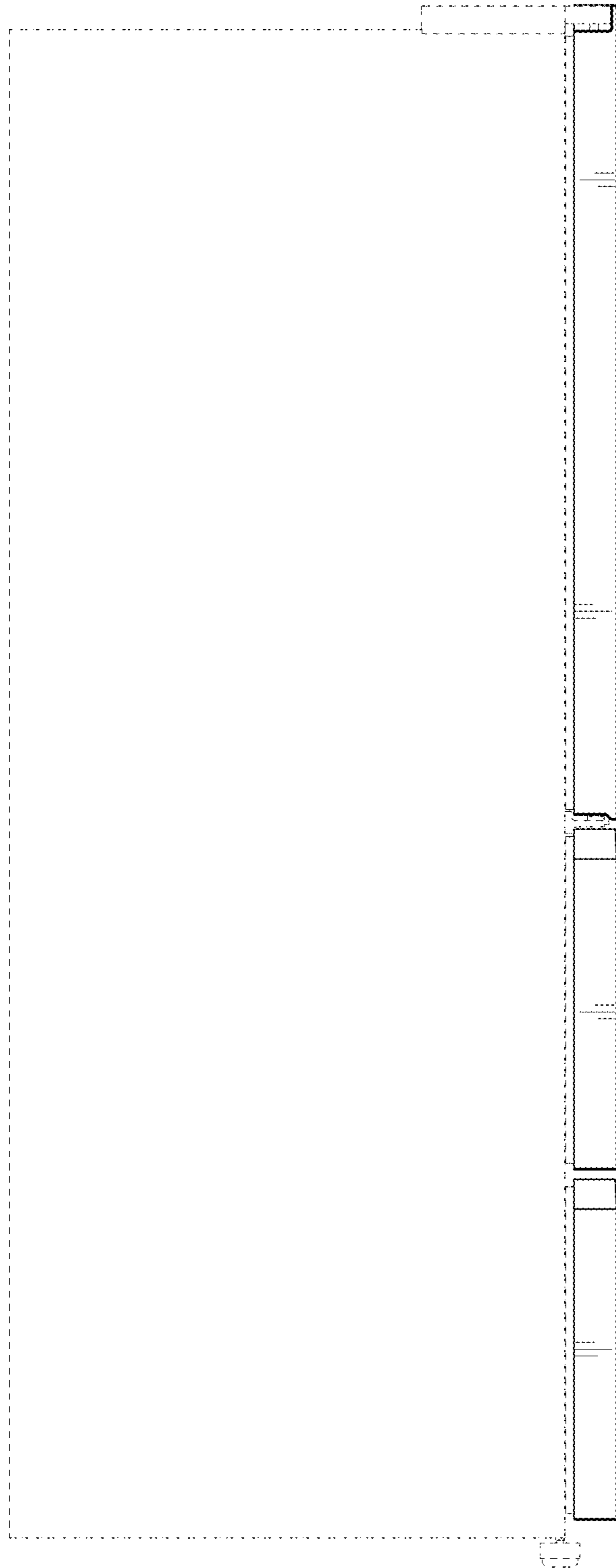


FIG. 16

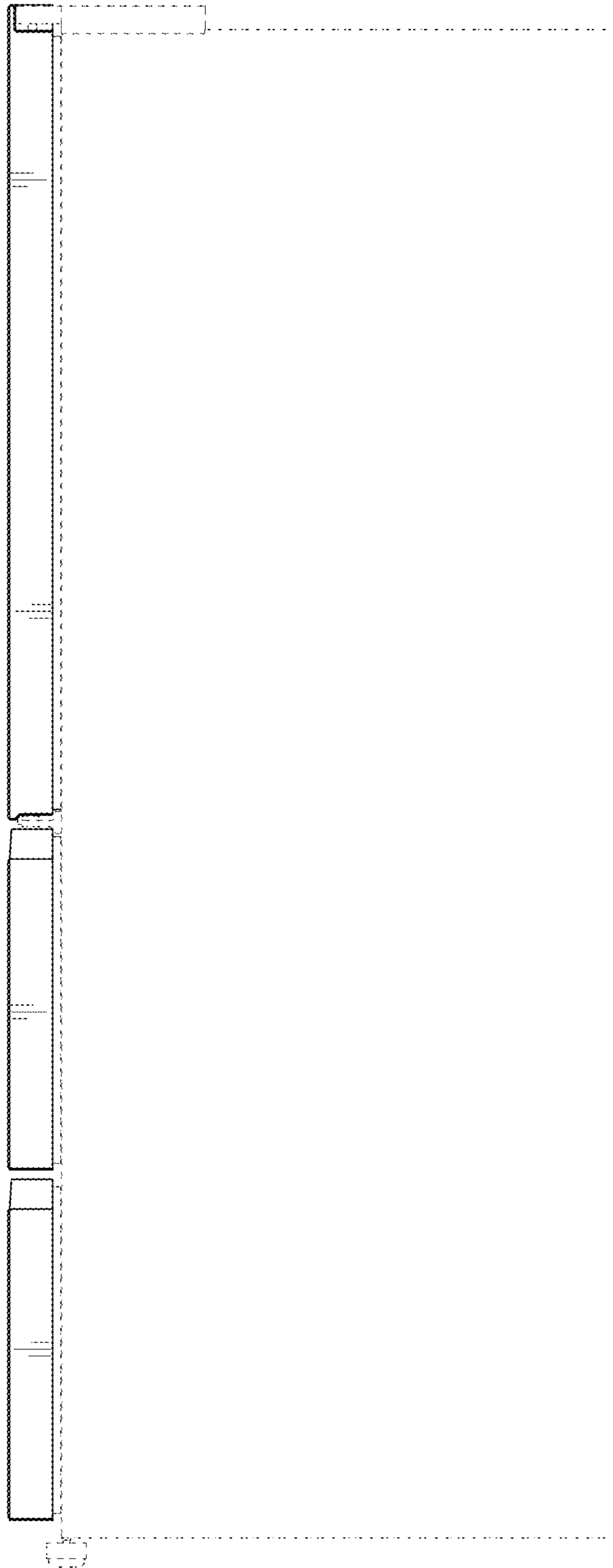




FIG. 17

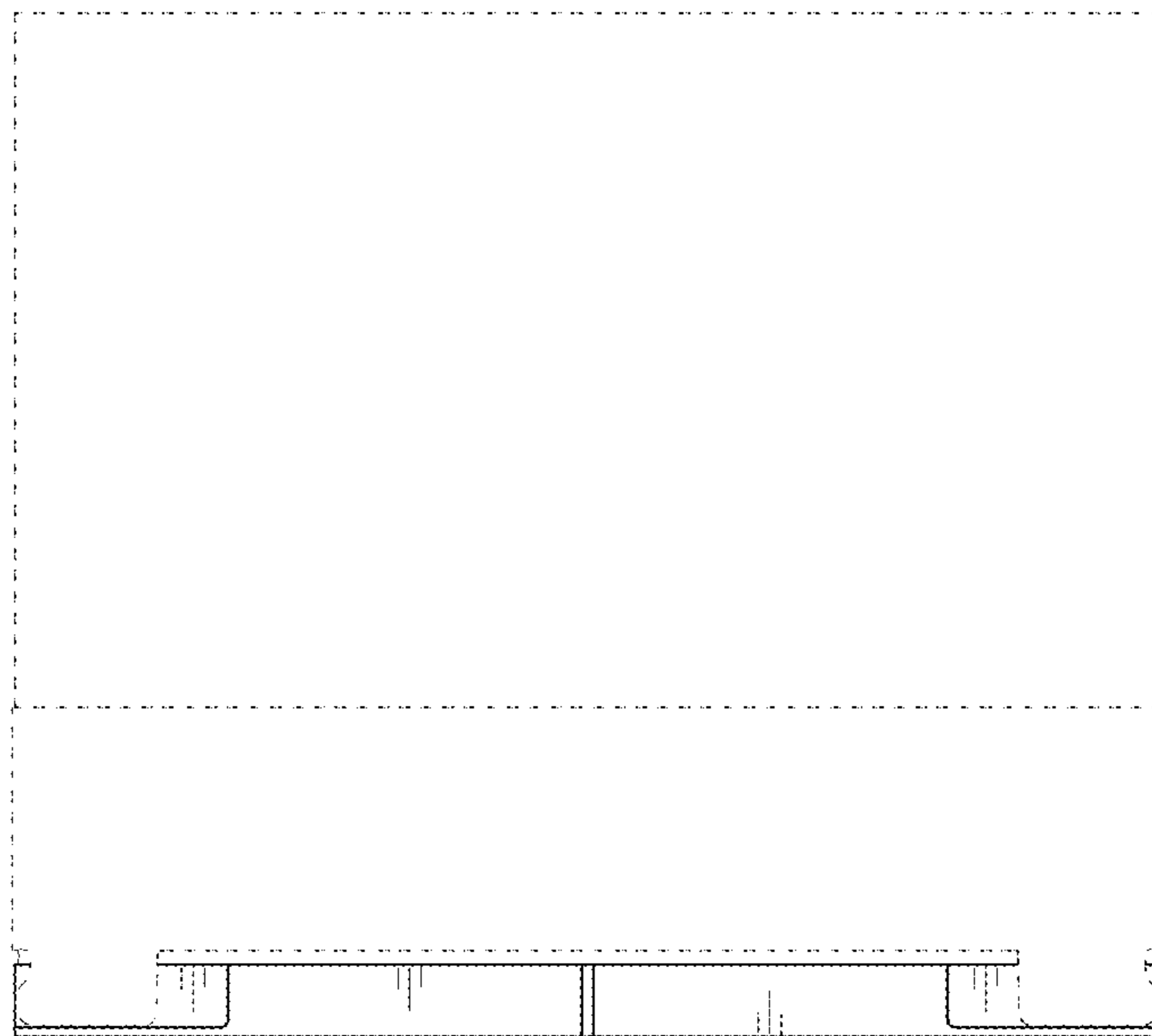


FIG. 18

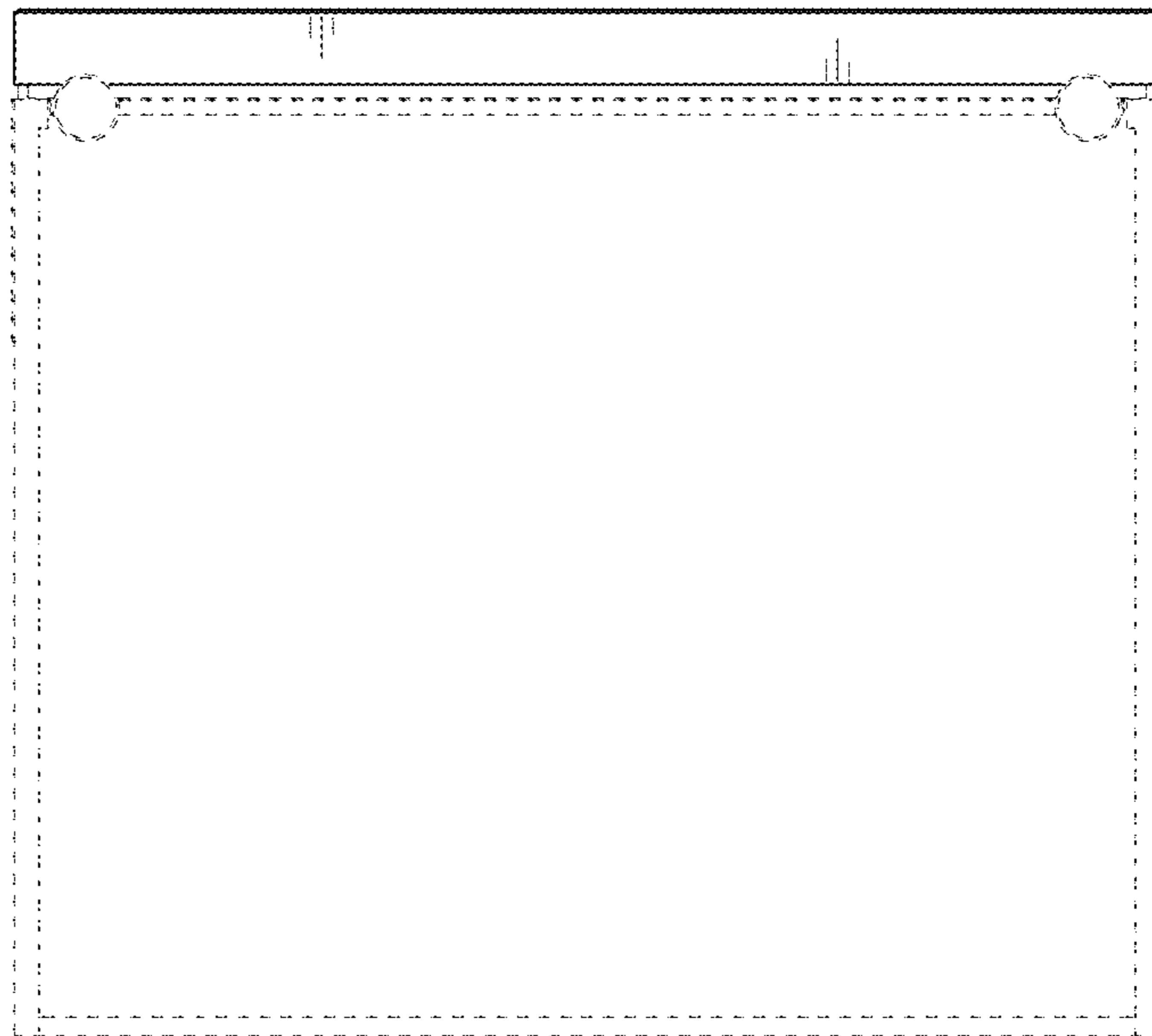


FIG. 19

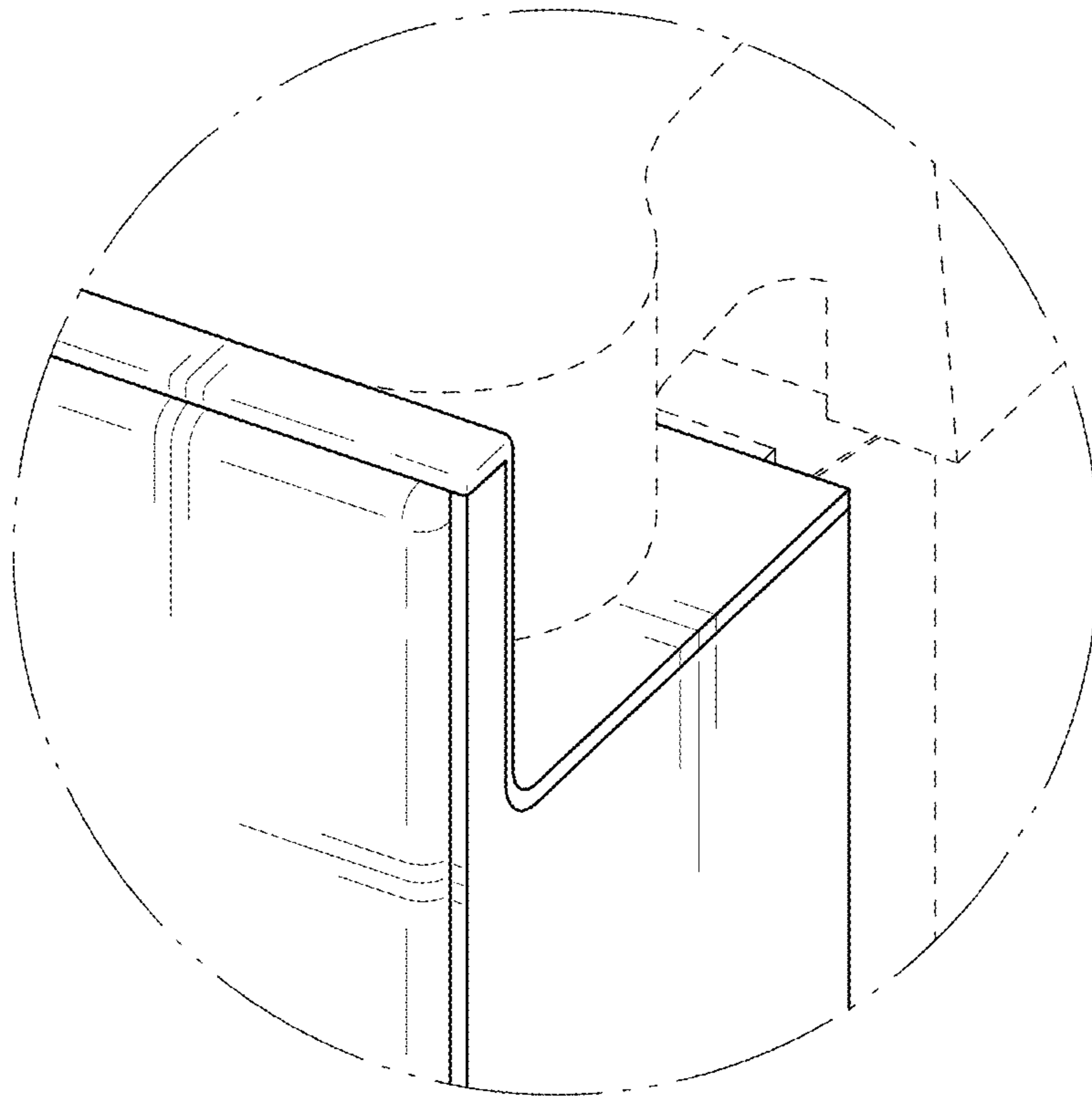


FIG. 20

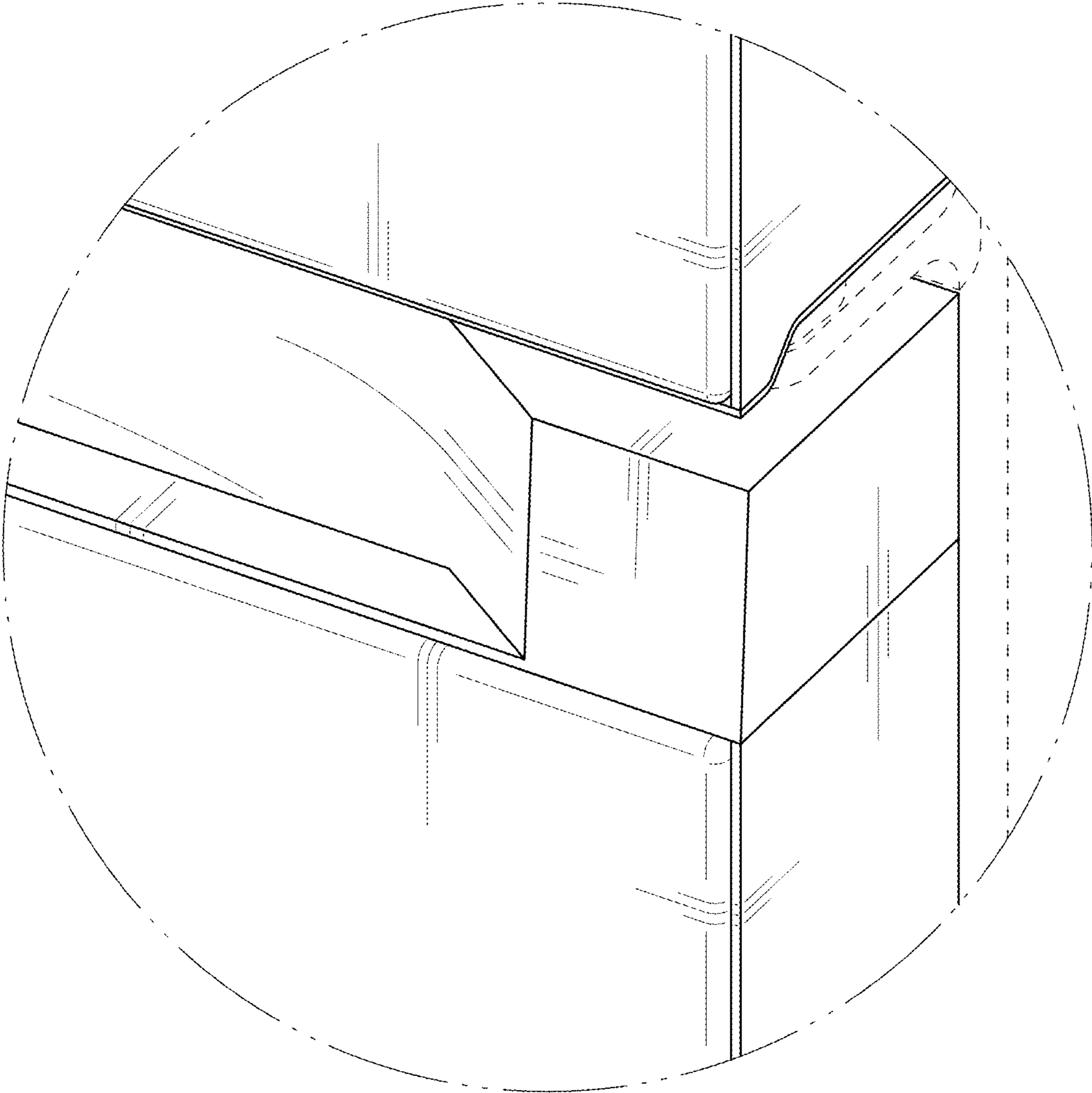


FIG. 21

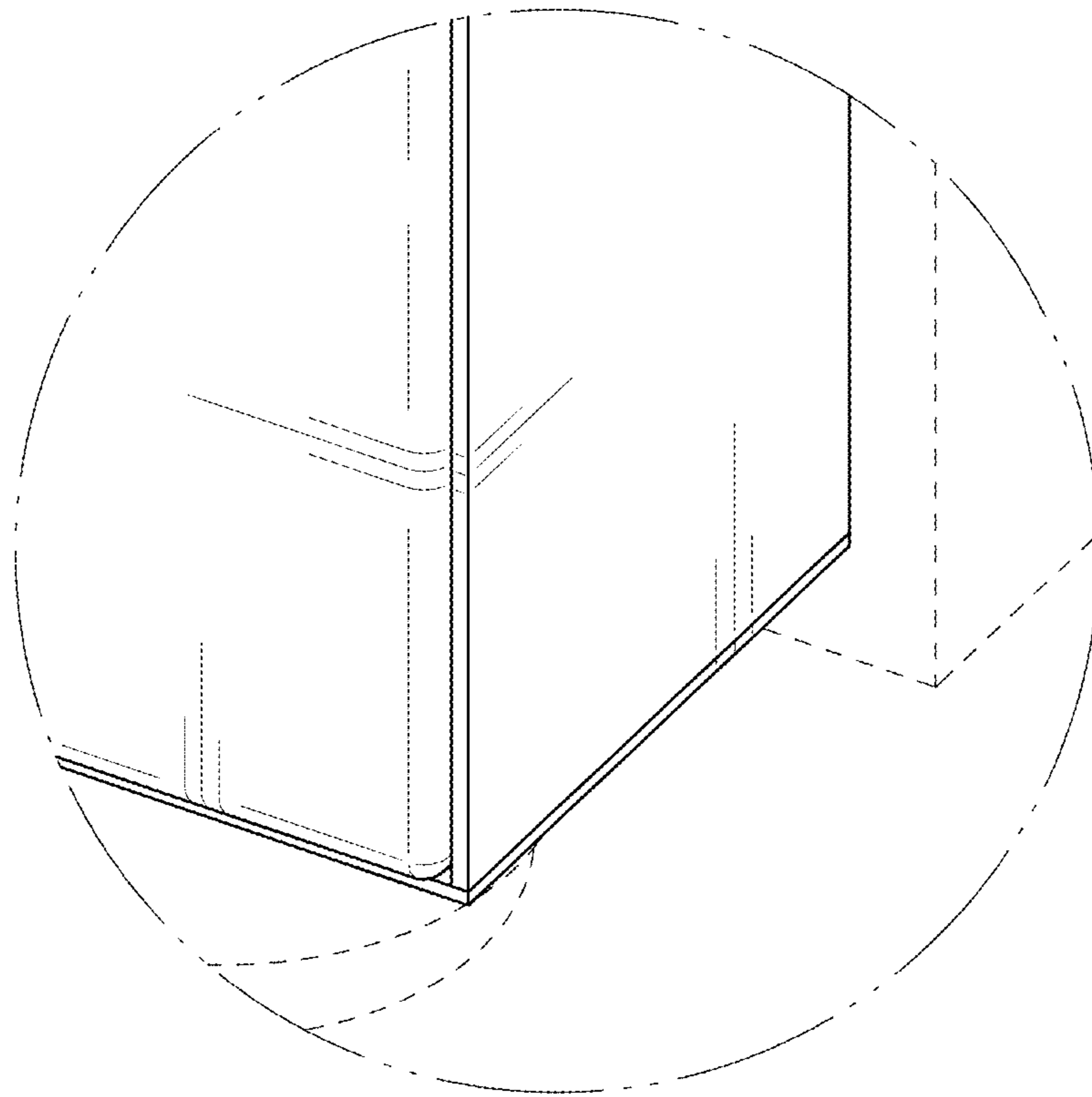




FIG. 22

