



US00D921708S

(12) **United States Design Patent** (10) **Patent No.:** **US D921,708 S**
Yeo (45) **Date of Patent:** **** Jun. 8, 2021**

(54) **DOOR-MOUNTED REFRIGERATOR**

2317/0664; F25D 2321/147; F25D 2323/02; F25D 23/023; F25B 21/02

(71) Applicant: **LG ELECTRONICS INC.**, Seoul (KR)

See application file for complete search history.

(72) Inventor: **Insun Yeo**, Seoul (KR)

(56) **References Cited**

(73) Assignee: **LG Electronics Inc.**, Seoul (KR)

U.S. PATENT DOCUMENTS

(**) Term: **15 Years**

(21) Appl. No.: **35/509,057**

5,474,213 A * 12/1995 Unger F25C 5/22
222/108
2003/0005716 A1 * 1/2003 Doran F25D 23/10
62/263
2008/0278335 A1 * 11/2008 Welte G07C 9/28
340/573.3
2017/0188542 A1 * 7/2017 Dix A01K 1/035
2018/0172337 A1 * 6/2018 Choi E06B 1/00
2019/0257556 A1 * 8/2019 Pinet A47F 3/0434
2019/0271500 A1 * 9/2019 Lee G02B 6/0088

(22) Filed: **Oct. 8, 2019**

(80) **Hague Agreement Data**

* cited by examiner

Int. Filing Date: **Oct. 8, 2019**

Int. Reg. No.: **DM/205020**

Int. Reg. Date: **Oct. 8, 2019**

Int. Reg. Pub. Date: **Apr. 10, 2020**

Primary Examiner — Richard E Chilcot

(74) *Attorney, Agent, or Firm* — Birch, Stewart, Kolasch & Birch, LLP

(30) **Foreign Application Priority Data**

Apr. 11, 2019 (KR) 30-2019-0017178

(51) **LOC (13) Cl.** **15-07**

(52) **U.S. Cl.**

USPC **D15/79**

CPC **F25B 21/02** (2013.01)

(58) **Field of Classification Search**

USPC D15/79-91

CPC F25D 25/025; F25D 23/028; F25D

2323/024; F25D 23/00; F25D 23/02;

F25D 2323/021; F25D 23/065; F25D

11/00; F25D 2201/14; F25D 23/021;

F25D 23/025; F25D 23/04; F25D 27/00;

F25D 23/062; F25D 23/067; F25D

2400/18; F25D 23/08; F25D 23/085;

F25D 2500/02; F25D 25/00; F25D

25/005; F25D 25/022; F25D 25/024;

F25D 17/047; F25D 2317/041; F25D

2317/04131; F25D 2317/043; F25D

(57) **CLAIM**

The ornamental design for a door-mounted refrigerator, as shown and described.

DESCRIPTION

1. Door-mounted refrigerator

1.1 : Perspective

1.2 : Front

1.3 : Back

1.4 : Left

1.5 : Bottom

1.6 : Top

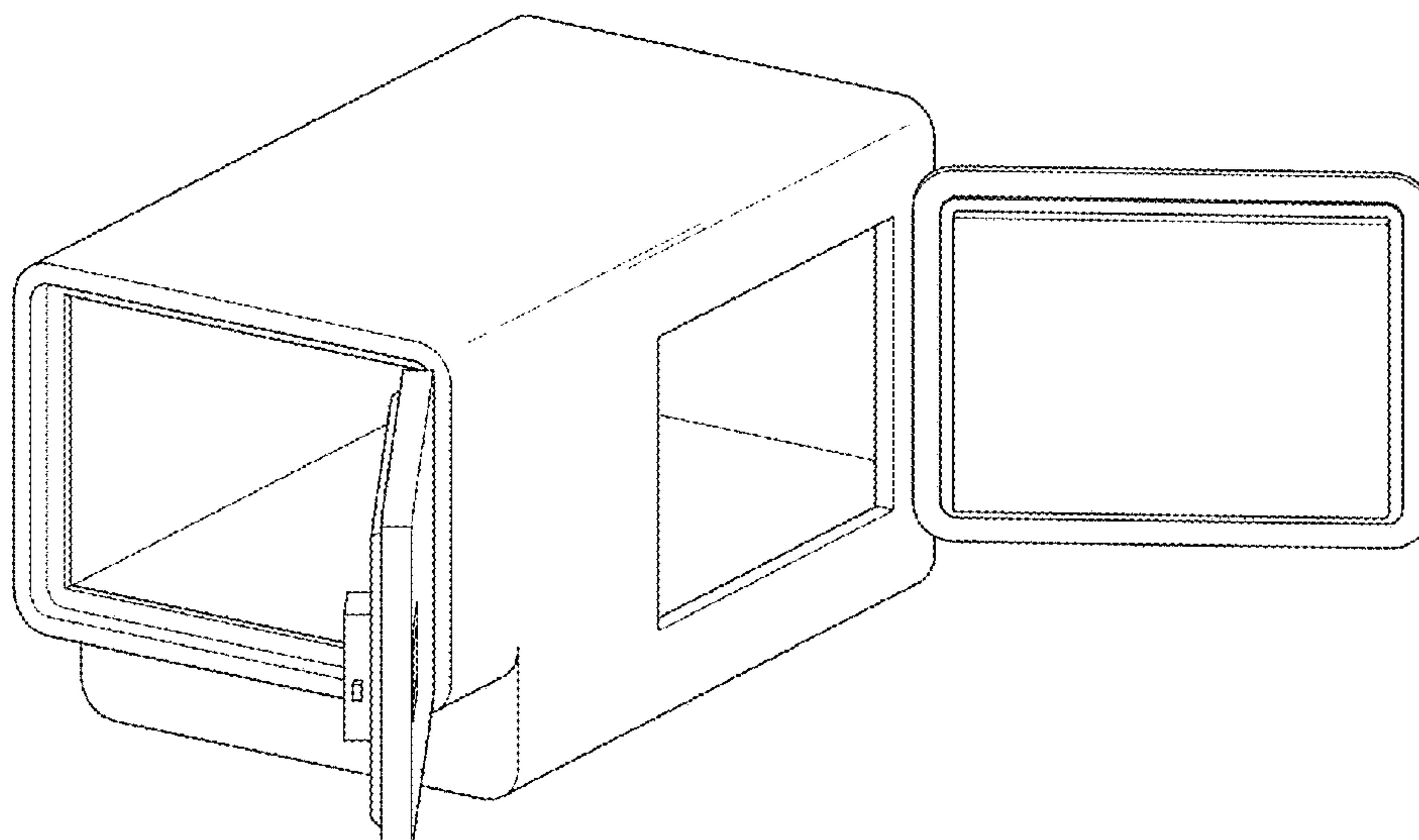
1.7 : Bottom

1.8 : Reference view showing the state of use

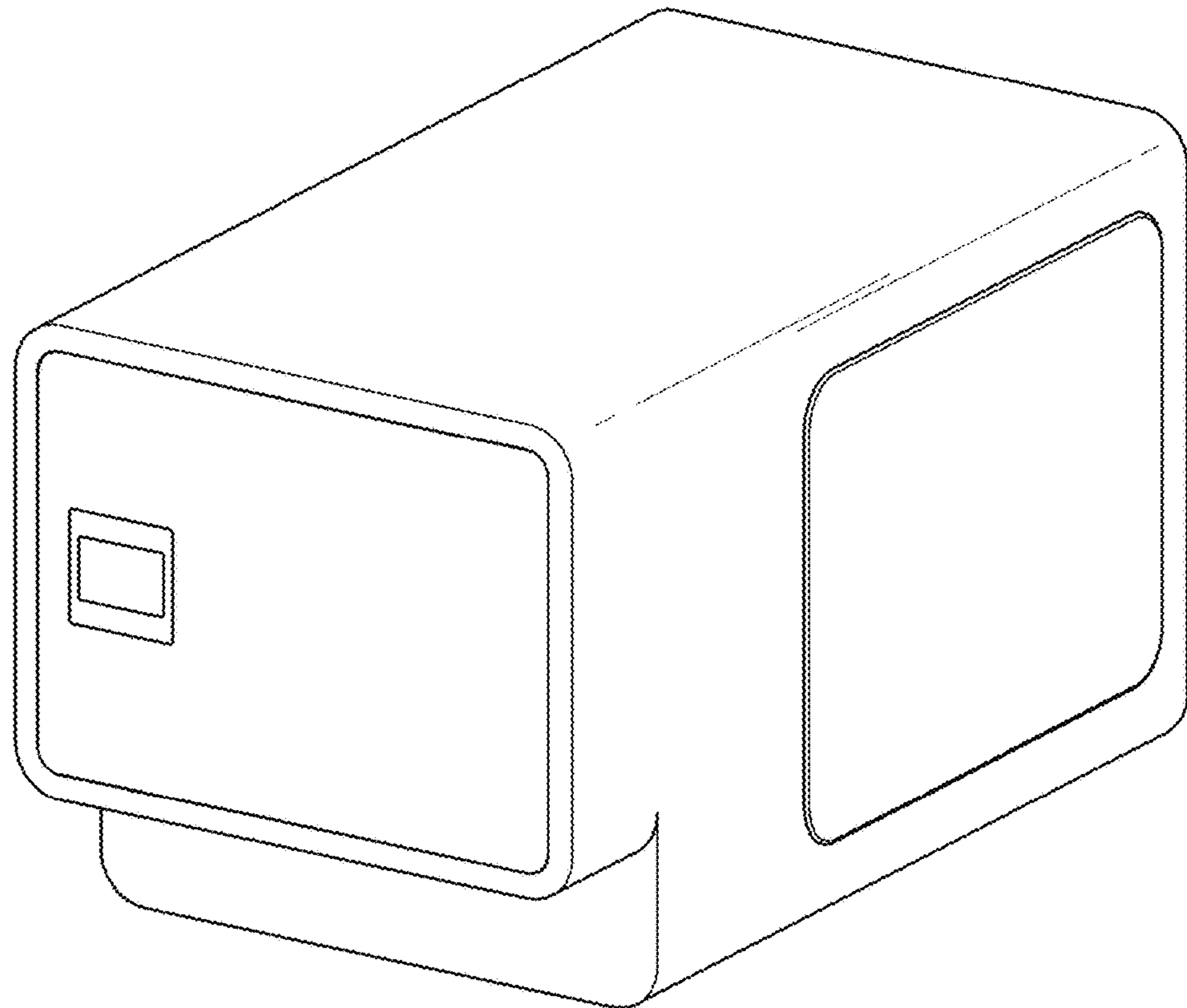
1.9 : Reference view showing the state of use

Broken lines illustrate environmental condition only and form no part of the claimed design.

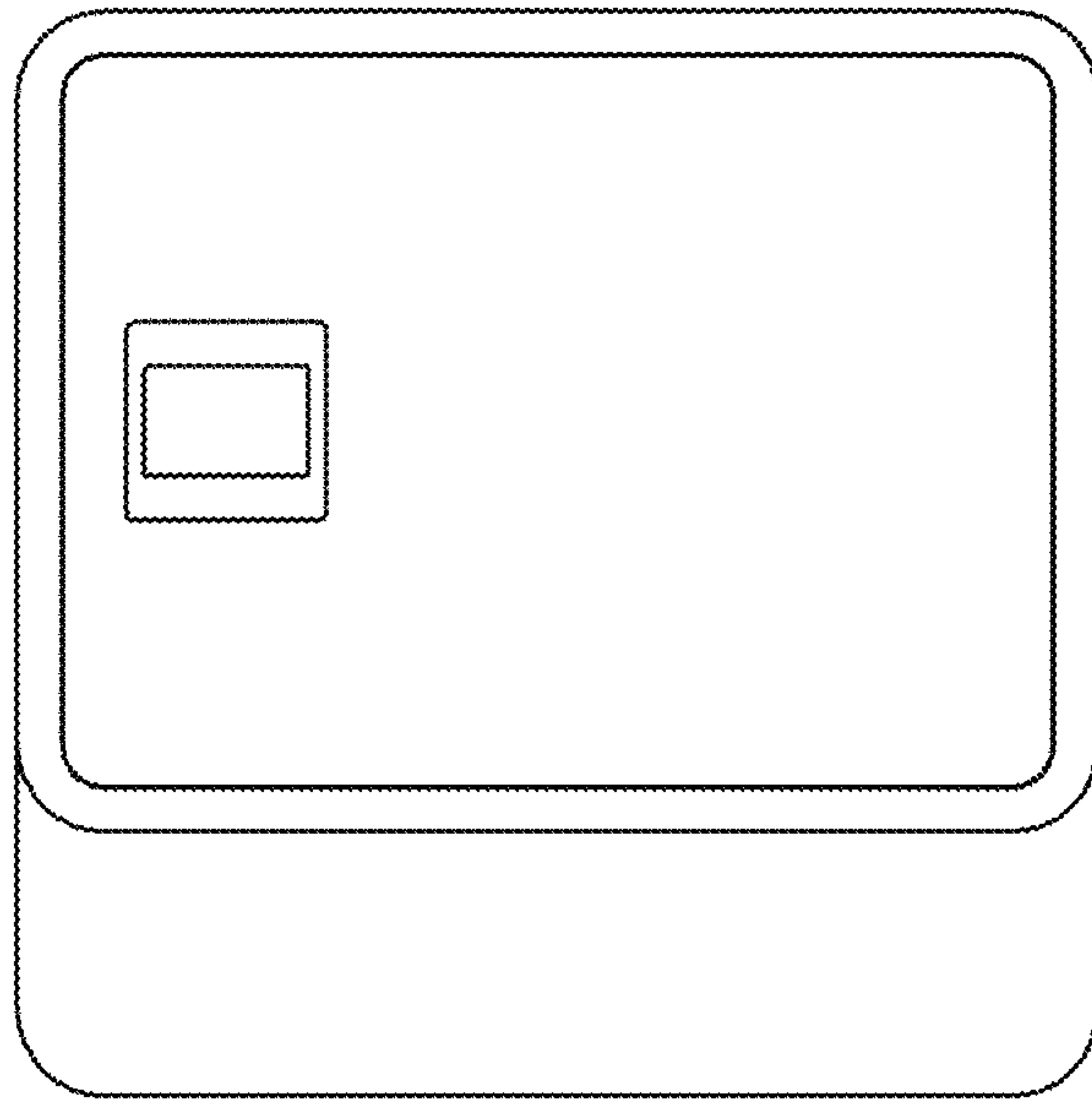
1 Claim, 9 Drawing Sheets



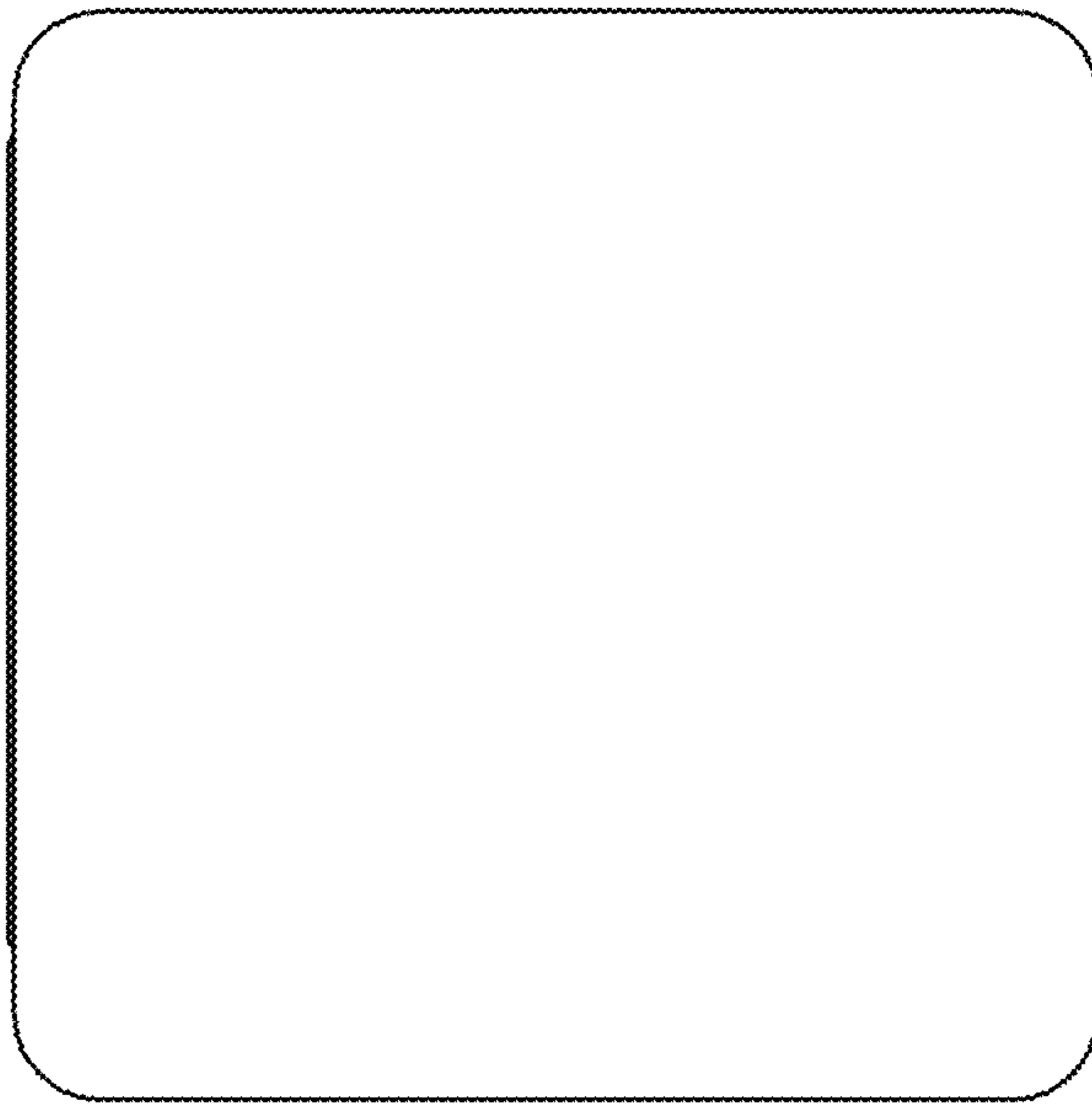
1.1



1.2



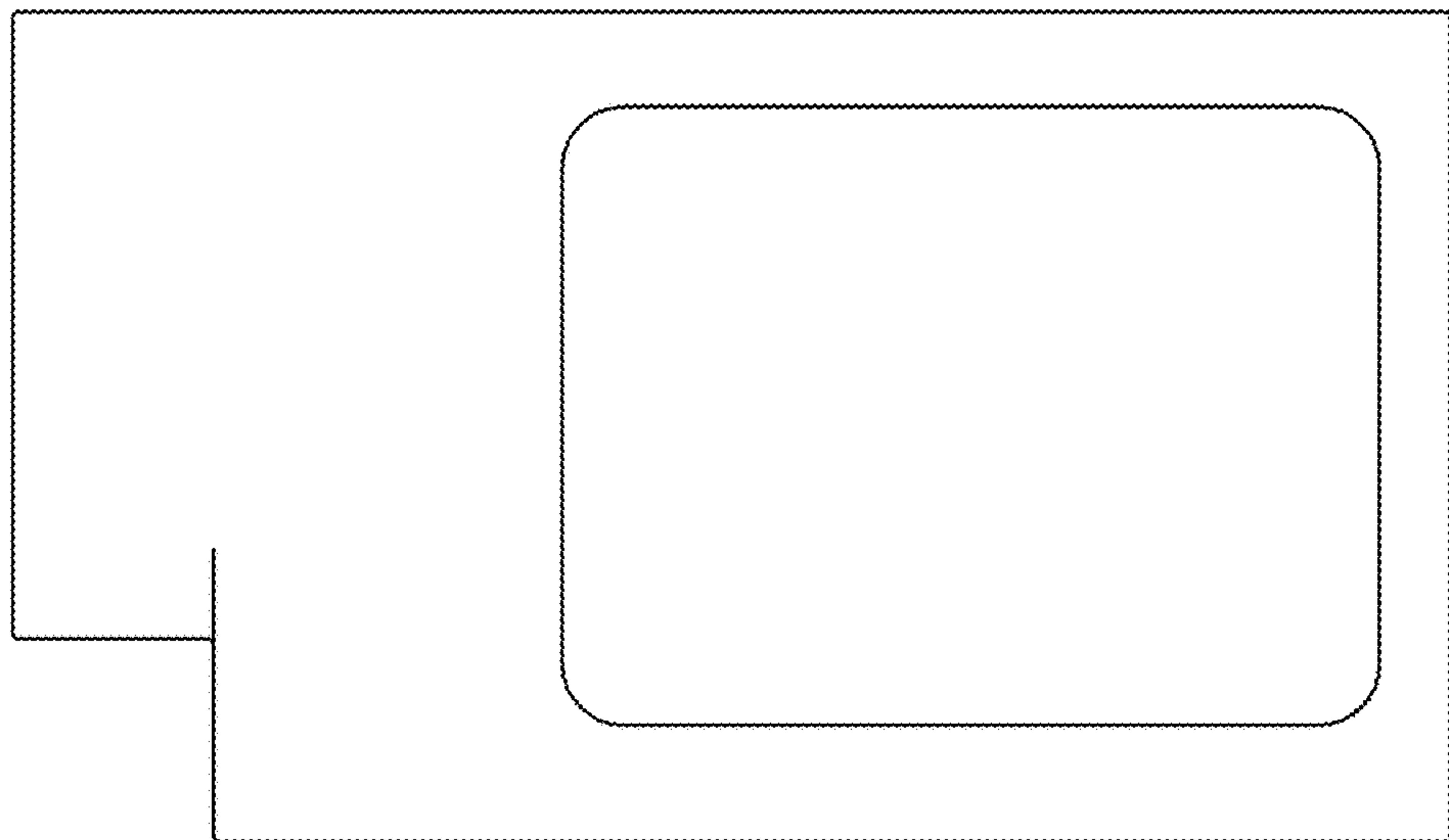
1.3



1.4



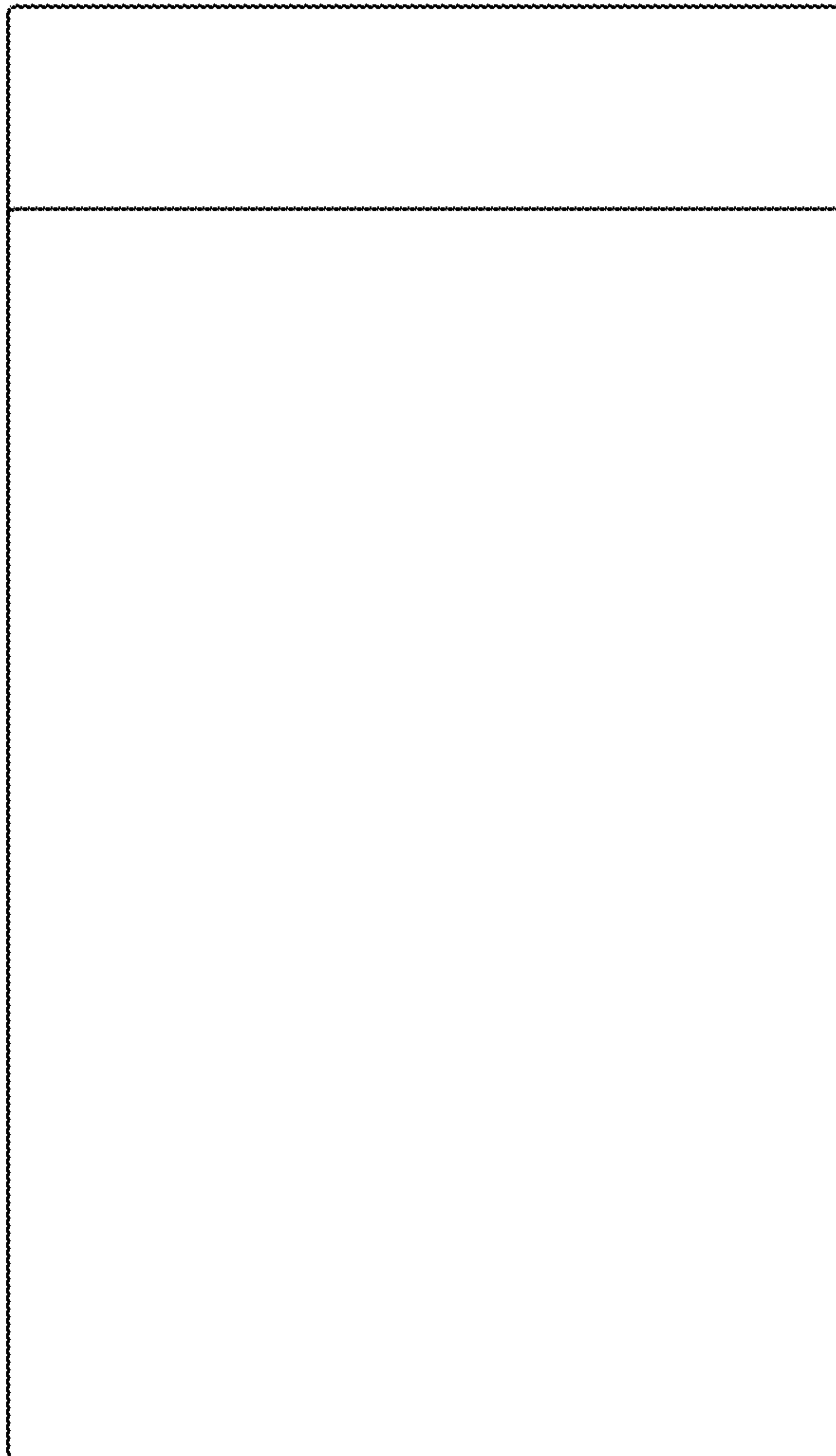
1.5



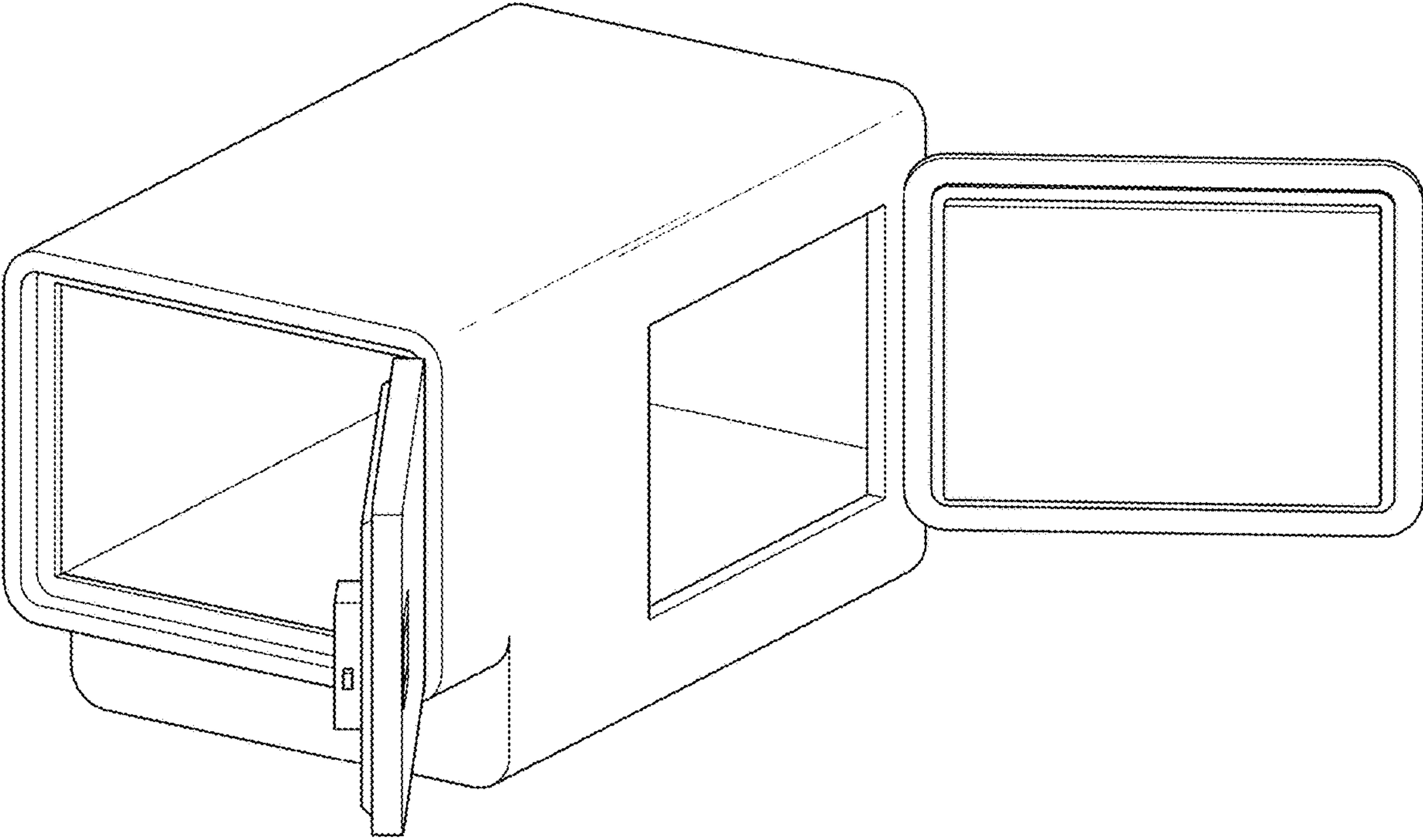
1.6



1.7



1.8



1.9

