



US00D921701S

(12) **United States Design Patent** (10) **Patent No.:** **US D921,701 S**  
**Lörner** (45) **Date of Patent:** **\*\* Jun. 8, 2021**

(54) **HYDRAULIC PUMP** 5,555,789 A \* 9/1996 Rosengren ..... F15B 15/082  
384/57  
(71) Applicant: **HAWE Hydraulik SE**, Aschheim (DE) D408,420 S \* 4/1999 Buter ..... D15/7  
D428,617 S \* 7/2000 Hariwara ..... D15/7  
(72) Inventor: **Gerhard Lörner**, Zorneding (DE) 6,089,111 A \* 7/2000 Machijima ..... G01D 11/30  
73/866.5  
(73) Assignee: **HAWE Hydraulik SE**, Aschheim (DE) 6,592,336 B1 \* 7/2003 Hirano ..... F04B 17/03  
417/201  
(\*\*) Term: **15 Years** D479,246 S \* 9/2003 Leu ..... D15/7  
D480,405 S \* 10/2003 Kleffmann ..... D15/143  
(Continued)

(21) Appl. No.: **29/722,187**

(22) Filed: **Jan. 27, 2020**

(30) **Foreign Application Priority Data**

Jul. 29, 2019 (EM) ..... 006 653 234-0004

(51) **LOC (13) Cl.** ..... **15-02**

(52) **U.S. Cl.**  
USPC ..... **D15/7**

(58) **Field of Classification Search**  
USPC ..... D15/7, 9, 143, 148–149, 199; D23/225,  
D23/231–233, 235; D10/85  
CPC ..... F15B 15/16; F15B 15/26; F15B 15/1414;  
F15B 15/1919; F15B 15/14; F15B 15/00;  
F15B 15/08; F15B 15/18; F15B 15/20;  
F02M 37/04; F04D 29/4286  
See application file for complete search history.

(56) **References Cited**

**U.S. PATENT DOCUMENTS**

D194,516 S \* 2/1963 Cordis ..... D15/7  
3,360,930 A \* 1/1968 Haag ..... F15B 15/18  
60/402  
D244,681 S \* 6/1977 Bell ..... D15/7  
4,597,717 A \* 7/1986 Mohr ..... F04B 23/06  
417/265  
D295,753 S \* 5/1988 LaBair ..... D15/7  
5,013,198 A \* 5/1991 Schultz ..... F04B 23/06  
417/287  
D335,291 S \* 5/1993 Schnell ..... D15/7  
D370,683 S \* 6/1996 Stahlman ..... D15/7

**OTHER PUBLICATIONS**

KAWE Hydraulik, Compact hydraulic power pack type KA2 and KAW2, (published Sep. 2017), HAWE Hydraulik SE, D 8010—KA, KAW-09-2017-1.1, p. 1/70 (Year: 2017).\*

(Continued)

*Primary Examiner* — Sheryl Lane  
*Assistant Examiner* — Mark T. Philipps  
(74) *Attorney, Agent, or Firm* — Aslan Law, P.C.

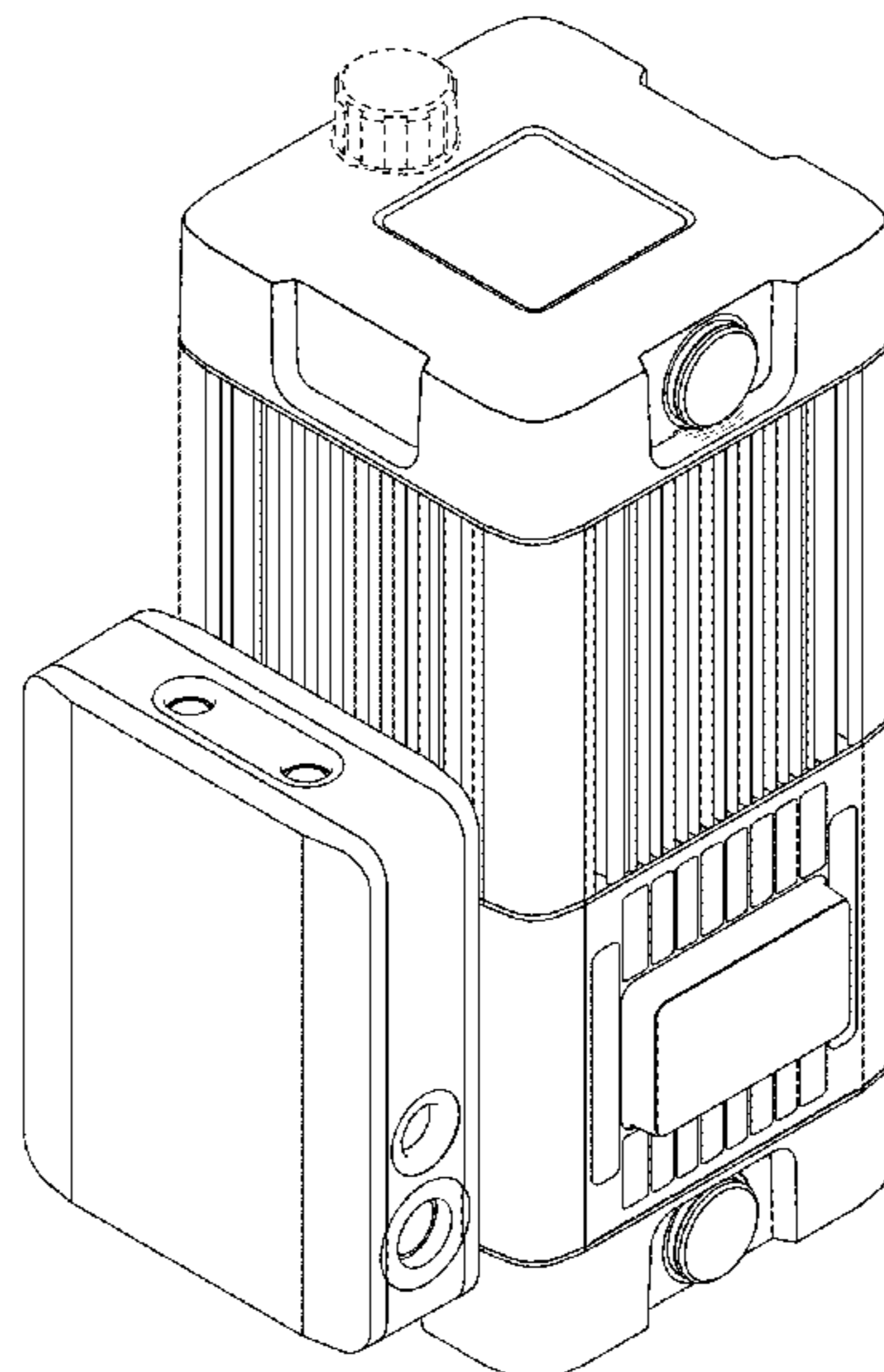
(57) **CLAIM**

The ornamental design for a hydraulic pump, as shown and described.

**DESCRIPTION**

FIG. 1 is a first perspective view of a hydraulic pump showing my new design;  
FIG. 2 is a front side view thereof;  
FIG. 3 is a top view thereof;  
FIG. 4 is a left side view thereof;  
FIG. 5 is a right side view thereof;  
FIG. 6 is a bottom view thereof; and,  
FIG. 7 is a rear view thereof.  
The broken (dashed) lines shown in the figures are included for the purpose of illustrating portions of the hydraulic pump which form no part of the claimed design.

**1 Claim, 7 Drawing Sheets**



(56)

**References Cited**

U.S. PATENT DOCUMENTS

6,828,782 B2 \* 12/2004 Nagai ..... F15B 15/2807  
 324/207.24  
 D516,583 S \* 3/2006 Strong ..... D15/7  
 D685,403 S \* 7/2013 Mangold ..... D15/143  
 8,863,645 B2 \* 10/2014 Andersen ..... F15B 15/082  
 92/88  
 9,212,655 B2 \* 12/2015 Neumair ..... F04B 1/08  
 D760,805 S \* 7/2016 Monden ..... D15/7  
 9,493,329 B2 \* 11/2016 Lemke ..... F15B 13/0892  
 D805,560 S \* 12/2017 Kudo ..... D15/7  
 D819,700 S \* 6/2018 Kudo ..... D15/7  
 D871,457 S \* 12/2019 Ikari ..... D15/7  
 D888,770 S \* 6/2020 Mizutani ..... D15/7  
 D888,771 S \* 6/2020 Mizutani ..... D15/7  
 D888,774 S \* 6/2020 Asahara ..... D15/7  
 D903,717 S \* 12/2020 Schaefer ..... D15/7  
 2003/0070428 A1 \* 4/2003 Heusser ..... F15B 20/00  
 60/468  
 2005/0091972 A1 \* 5/2005 Redman ..... F15B 15/088  
 60/413

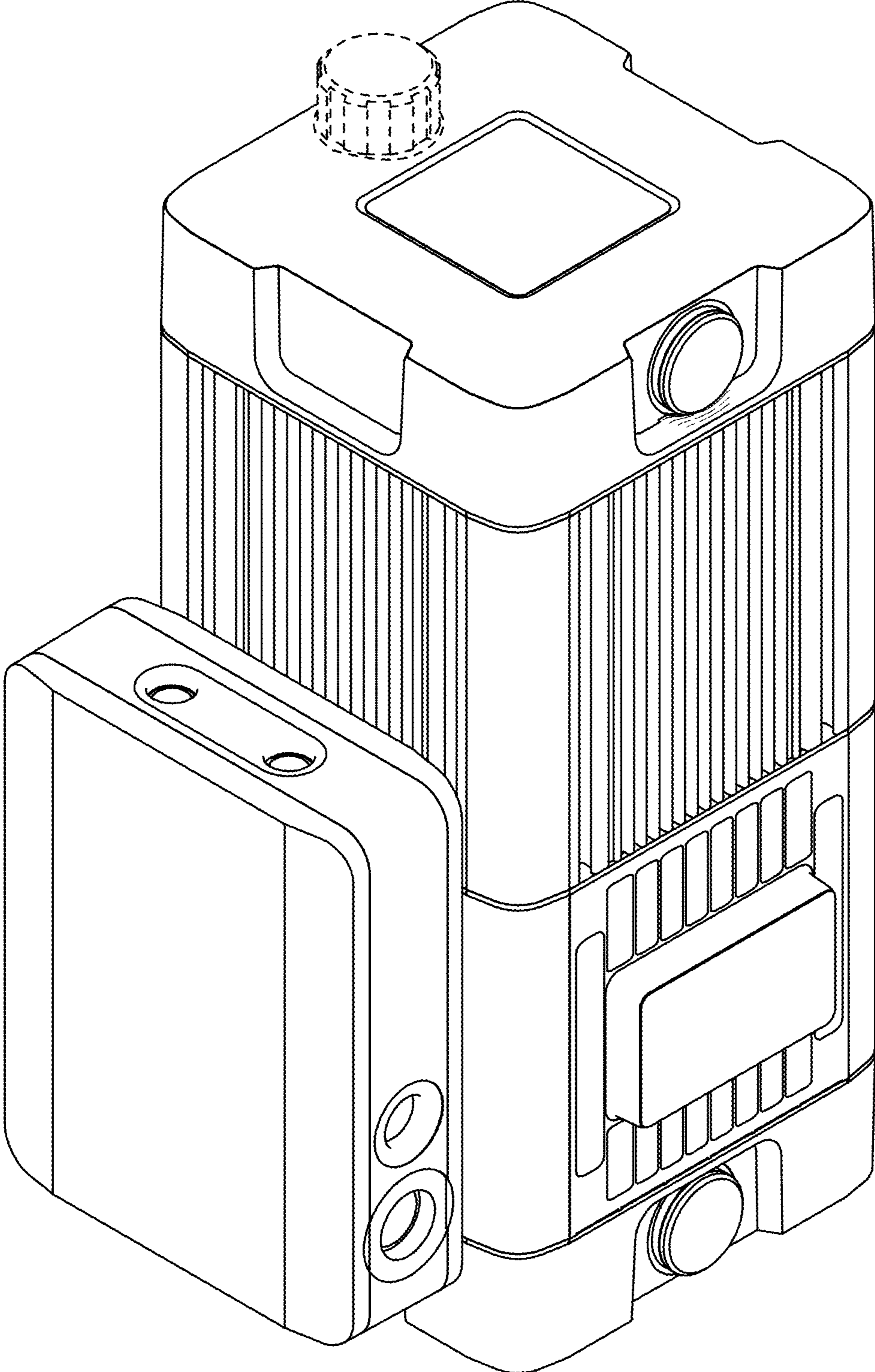
2006/0228235 A1 \* 10/2006 Neumair ..... F04B 23/025  
 417/410.1  
 2008/0010984 A1 \* 1/2008 Arbel ..... F04B 1/1071  
 60/476  
 2011/0126703 A1 \* 6/2011 Terasaki ..... F15B 15/2892  
 92/5 R  
 2019/0226504 A1 \* 7/2019 Richter ..... F15B 15/18  
 2020/0300276 A1 \* 9/2020 Tamura ..... F15B 15/14  
 2020/0347847 A1 \* 11/2020 Simon ..... F04C 29/0085

OTHER PUBLICATIONS

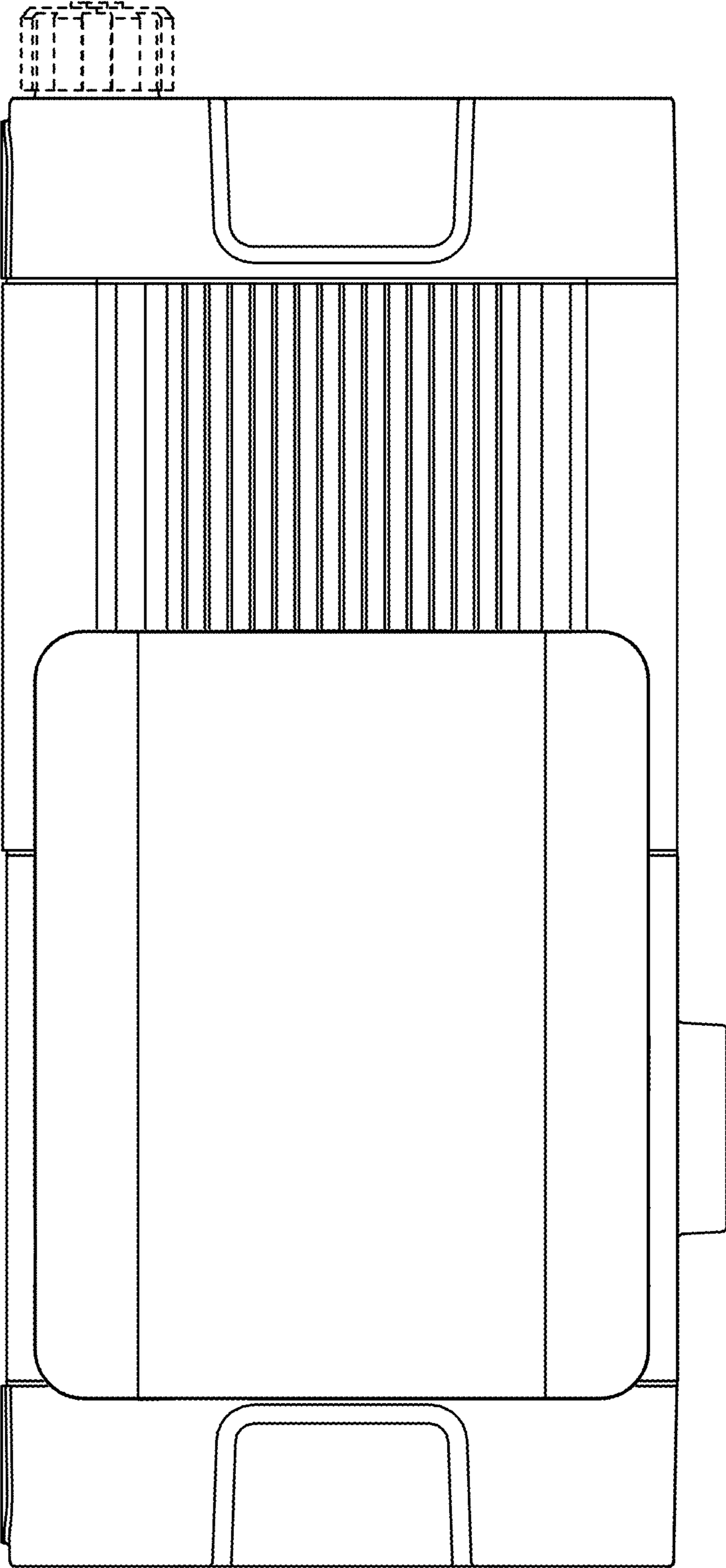
Design World Online, HAWE hydraulics compact power units, (site visited Dec. 11, 2020), Design World Online website, URL:<<https://www.designworldonline.com/hawe-hydraulics-compact-power-units/>> (Year: 2020).\*

Design Engineering, Allied Motion looks to OEMs with its Integrated Drive Electronics, Published Jul. 3, 2018), Design-Engineering.com, URL:<<https://www.design-engineering.com/products/electrohydraulic-pump-drive-motor/>> (Year: 2018).\*

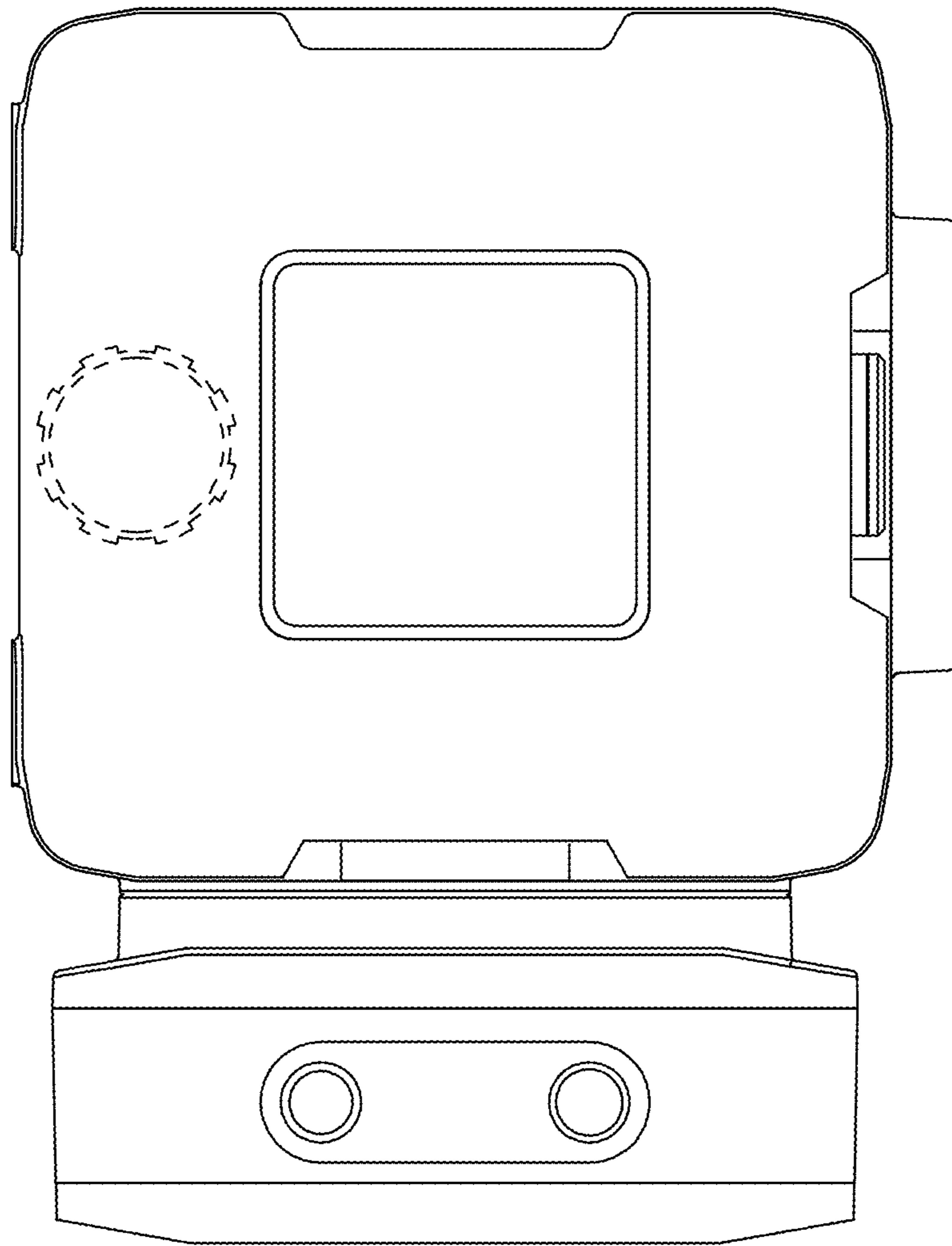
\* cited by examiner



**FIG. 1**



**FIG. 2**



**FIG. 3**

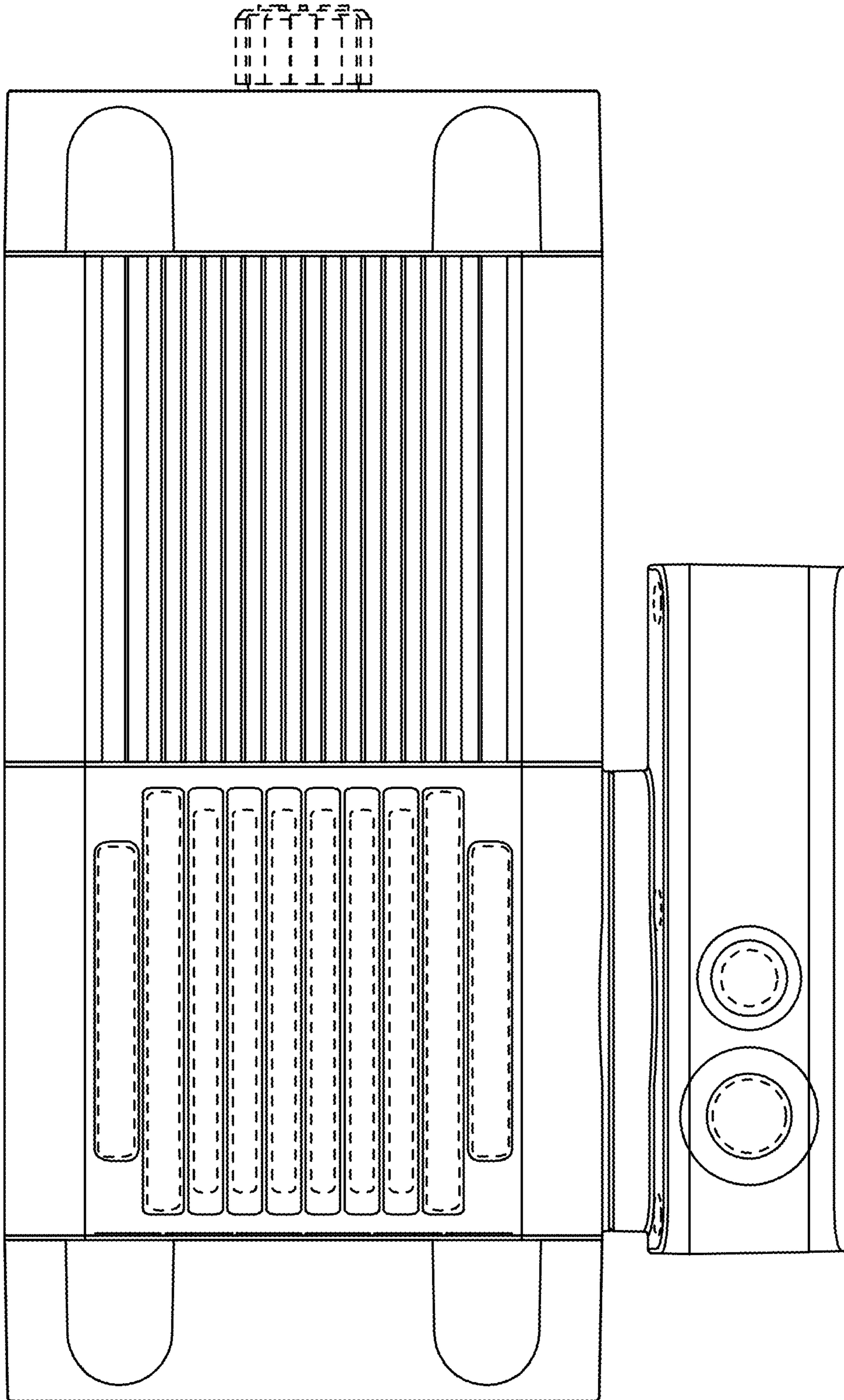
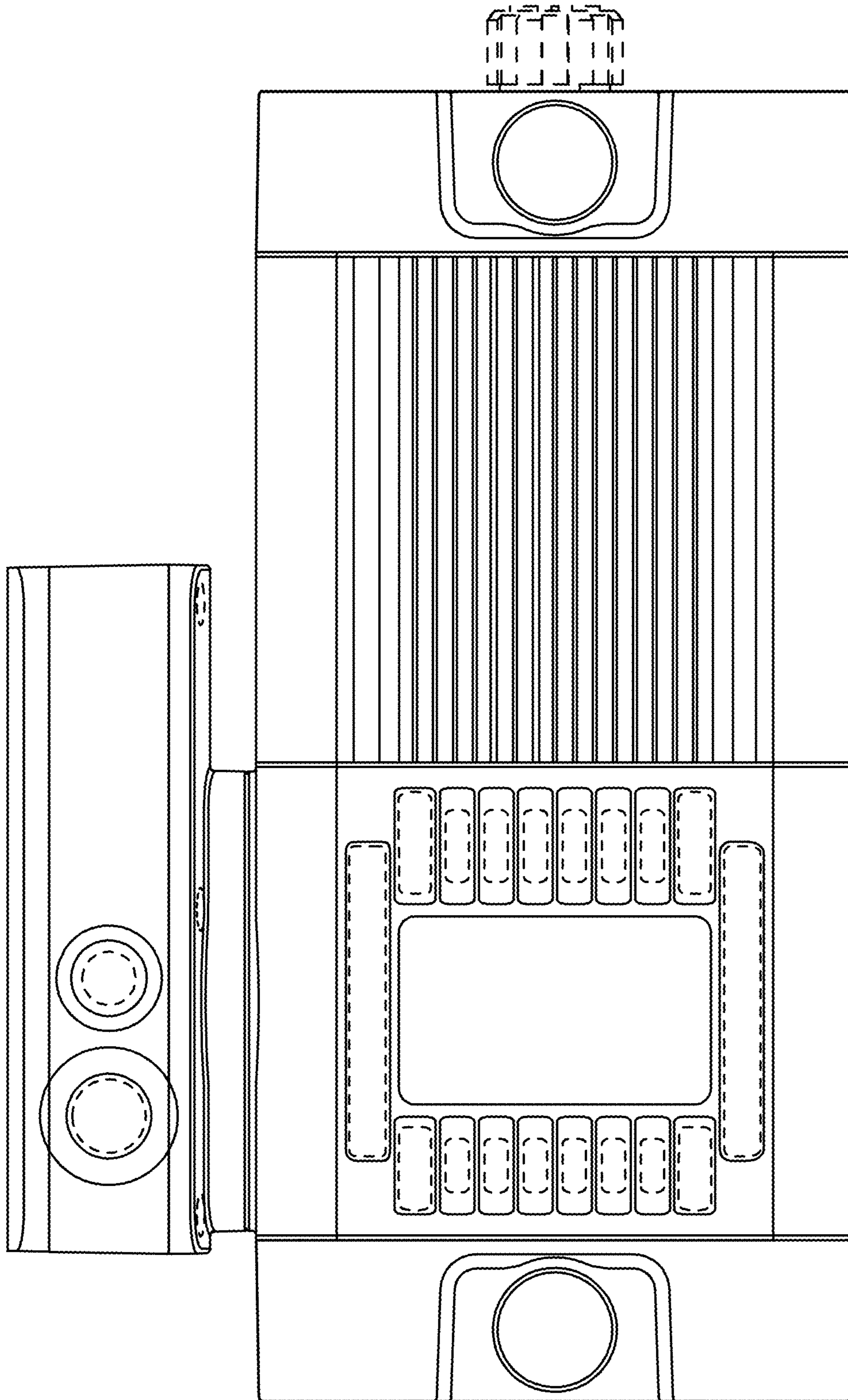
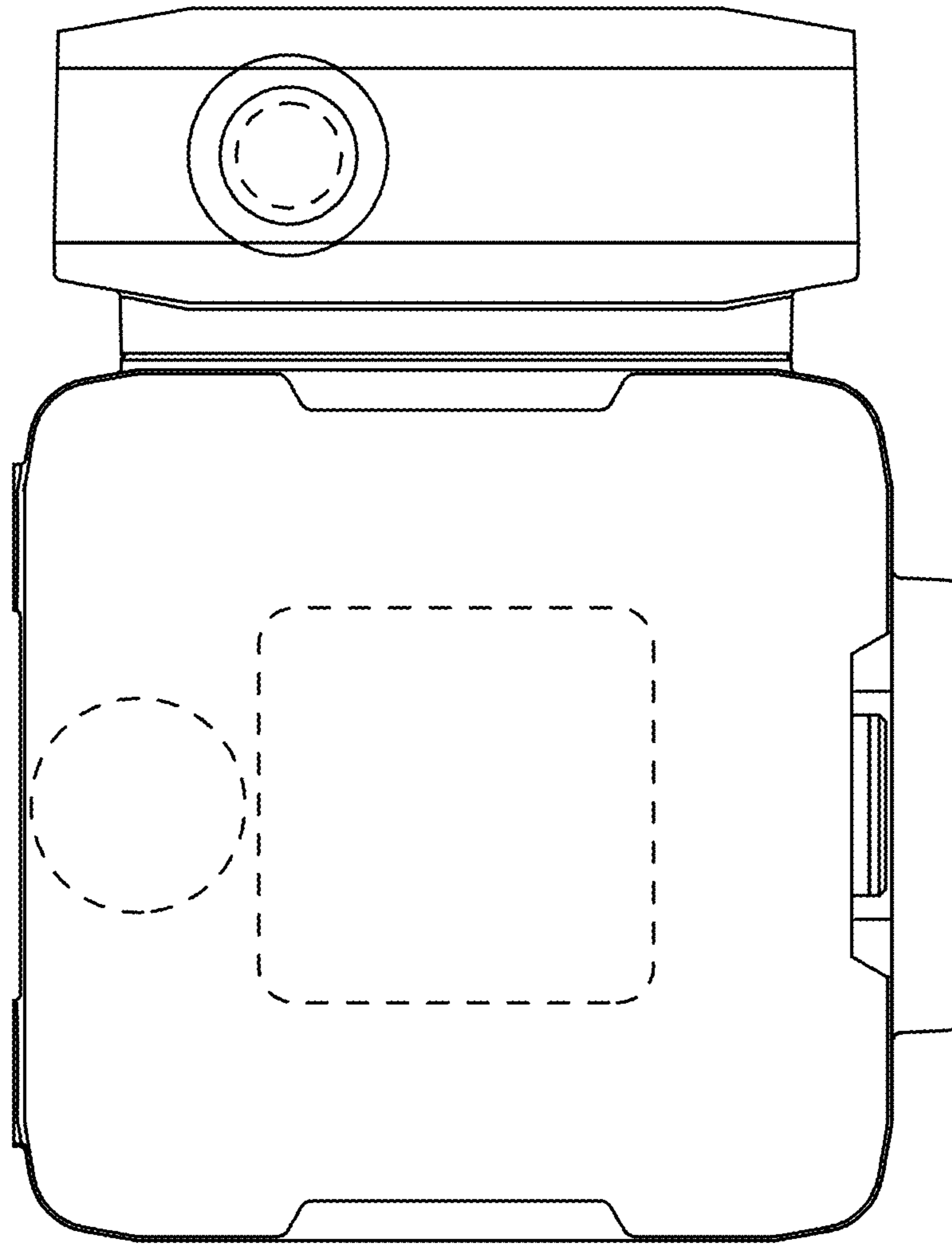


FIG. 4

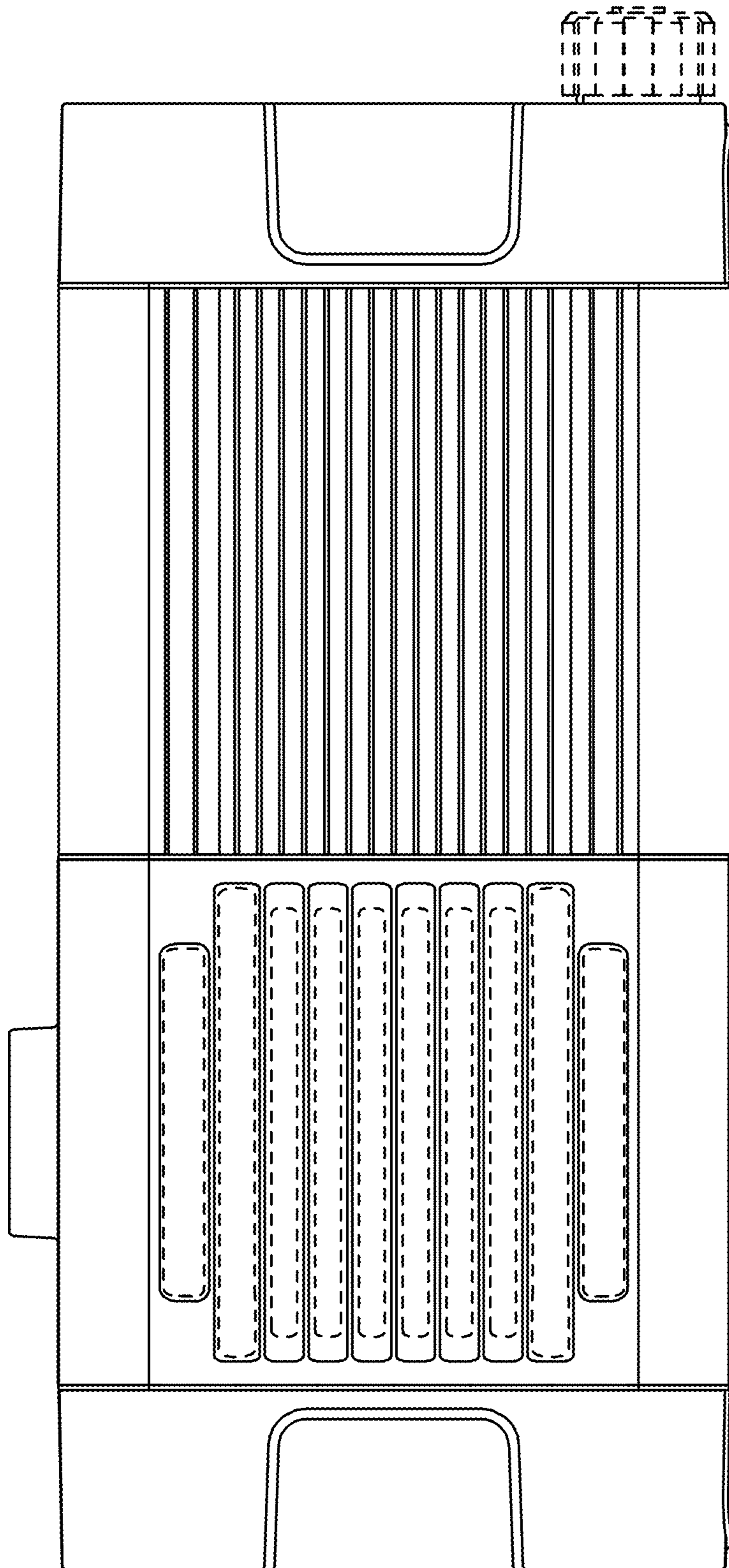


**FIG. 5**



**FIG. 6**





**FIG. 7**