



US00D921699S

(12) **United States Design Patent**
Pumphrey

(10) **Patent No.:** **US D921,699 S**

(45) **Date of Patent:** **** Jun. 8, 2021**

(54) **ENGINE CYLINDER MULTI-PORT
EXHAUST ARRANGEMENT**

(71) Applicant: **Andrew Lincoln Pumphrey,**
Cambridge, OH (US)

(72) Inventor: **Andrew Lincoln Pumphrey,**
Cambridge, OH (US)

(**) Term: **15 Years**

(21) Appl. No.: **29/677,211**

(22) Filed: **Jan. 17, 2019**

(51) **LOC (13) Cl.** **15-01**

(52) **U.S. Cl.**
USPC **D15/5**

(58) **Field of Classification Search**
USPC D12/194; D13/147; D15/1-6, 14, 17,
D15/28; D23/233
CPC F02M 35/048; F02M 35/10137; F02M
35/1255; F02M 35/161; F02M
35/10-10393; F02B 29/0475
See application file for complete search history.

(56) **References Cited**

U.S. PATENT DOCUMENTS

- 2,984,465 A * 5/1961 Hazzard F02M 17/04
261/37
- 5,490,488 A * 2/1996 Aversa F02B 75/22
123/184.31
- D392,648 S * 3/1998 Karlsson D15/5
- D533,194 S * 12/2006 Cimburu D15/5
- D697,943 S * 1/2014 Capko D15/5

- D701,885 S * 4/2014 Clark D15/5
- D704,744 S * 5/2014 Shuto D15/5
- D715,838 S * 10/2014 Nagakura D15/5
- D719,978 S * 12/2014 Nagakura D15/5
- 2005/0133009 A1 * 6/2005 Rowells F02M 35/10078
123/456
- 2012/0227687 A1 * 9/2012 Galeazzi F01N 13/105
123/41.82 R

* cited by examiner

Primary Examiner — Sheryl Lane

Assistant Examiner — Mark T. Philipps

(74) *Attorney, Agent, or Firm* — Quickpatents, LLC;
Kevin Prince

(57) **CLAIM**

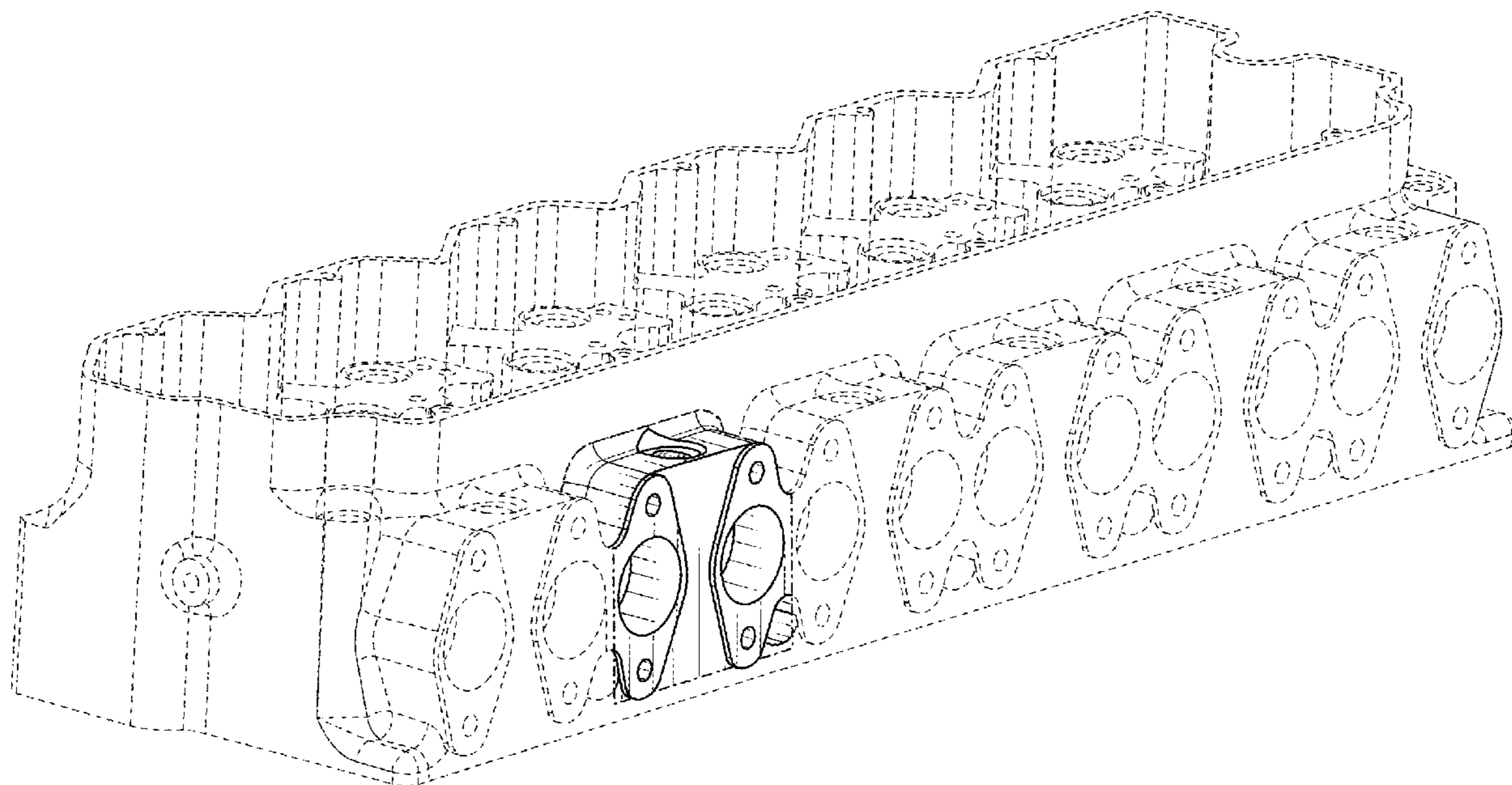
The ornamental design for an engine cylinder multi-port exhaust arrangement, as shown and described.

DESCRIPTION

FIG. 1 is a perspective view of an engine cylinder multi-port exhaust arrangement, showing my new design; FIG. 2 is a front elevational view thereof; FIG. 3 is a left-side elevational view thereof; FIG. 4 is a right-side elevational view thereof; FIG. 5 is a top plan view thereof; and, FIG. 6 is a bottom plan view thereof.

The dot-dash broken lines in the figures represent a boundary of the claimed design, elements of the engine cylinder multi-port exhaust arrangement outside of the boundary in regular broken lines forming no part of the claimed design, and the regular broken lines within the circular element in FIGS. 1 and 5 form no part of the claimed design.

1 Claim, 5 Drawing Sheets



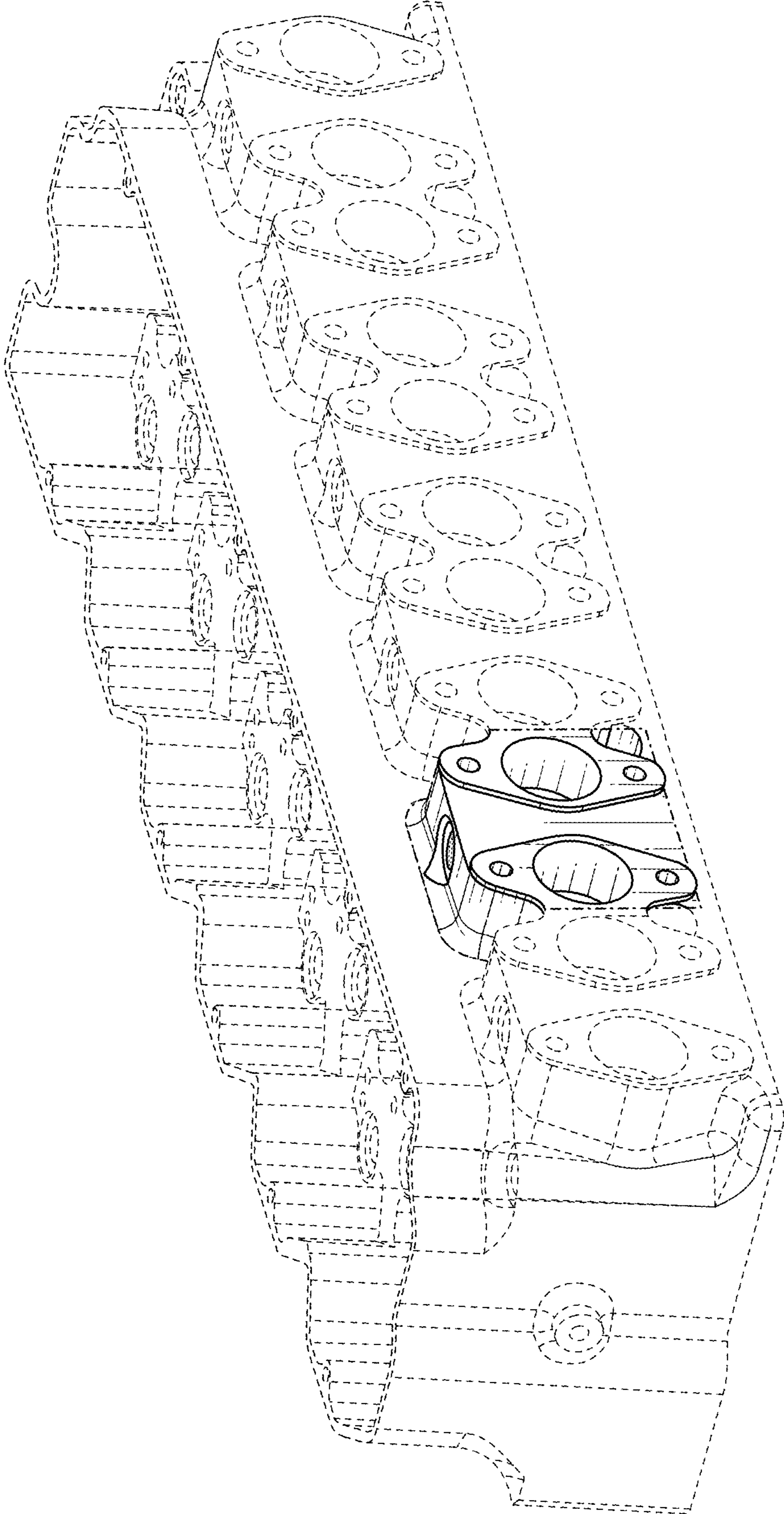


FIG. 1

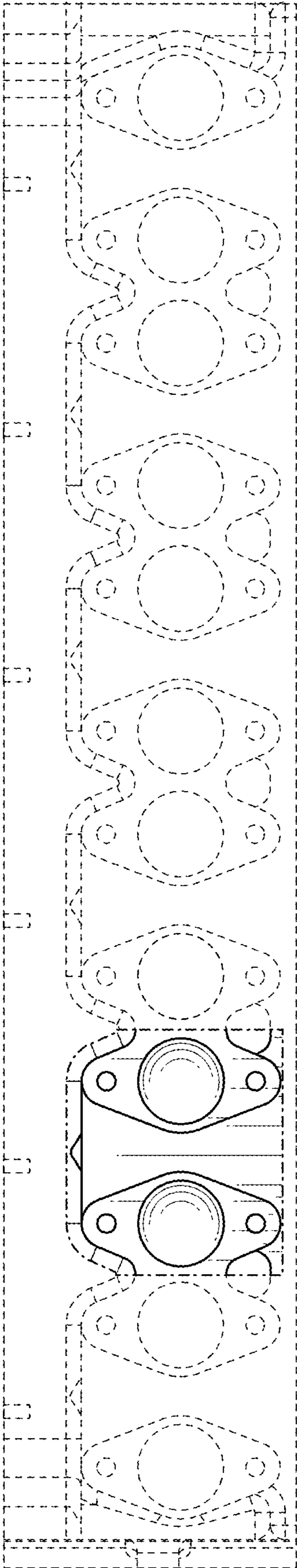


FIG. 2

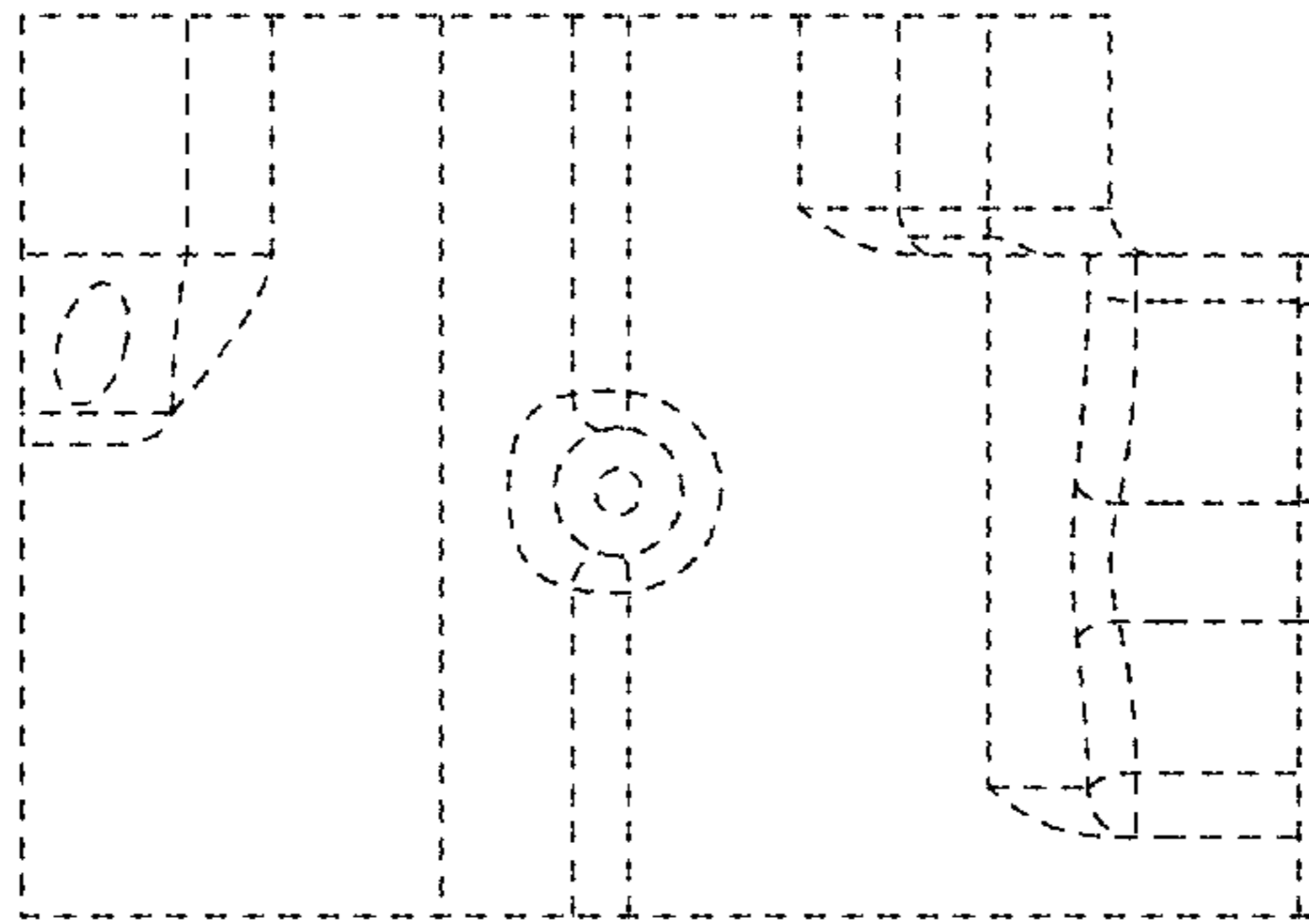


FIG. 3

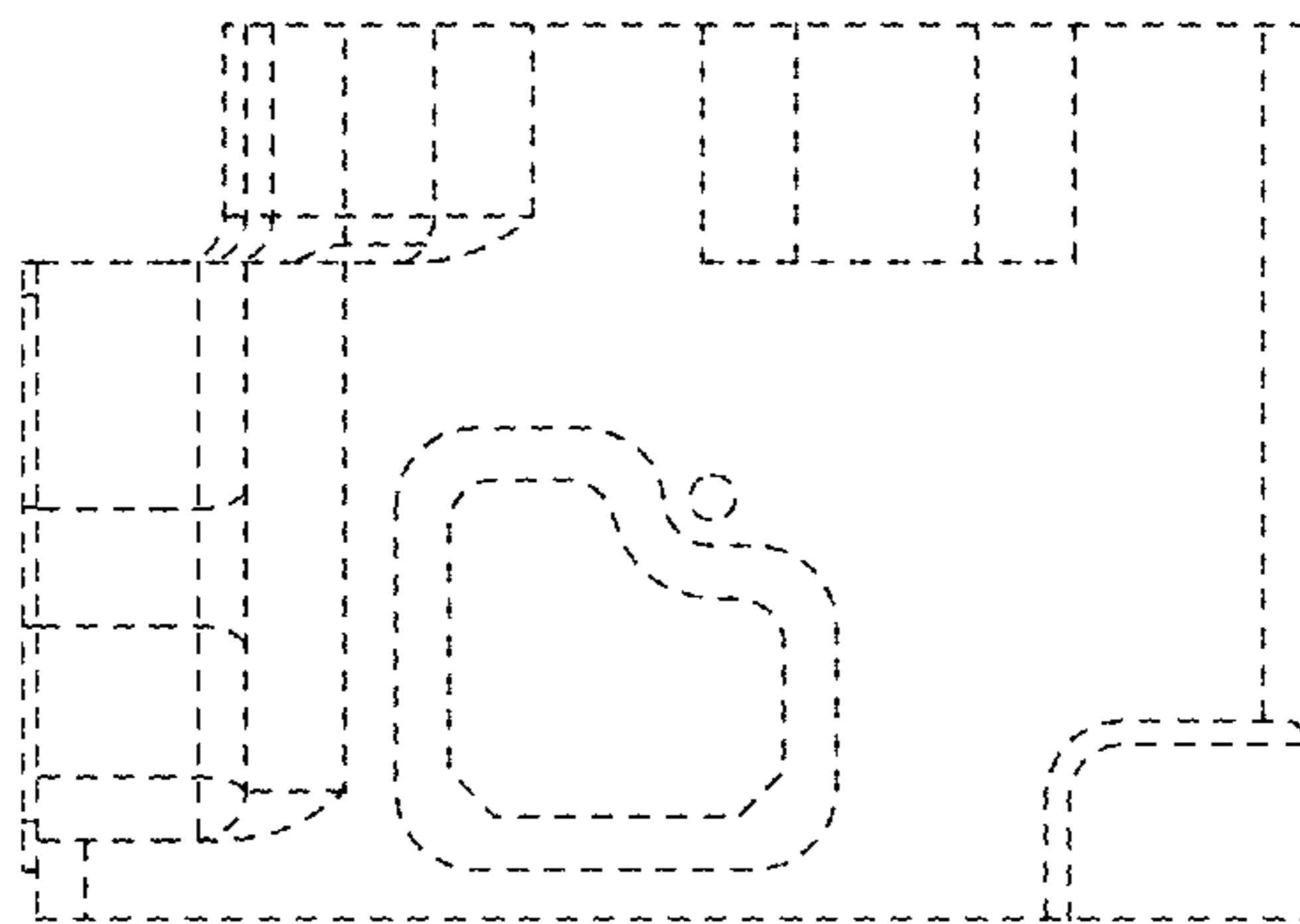


FIG. 4

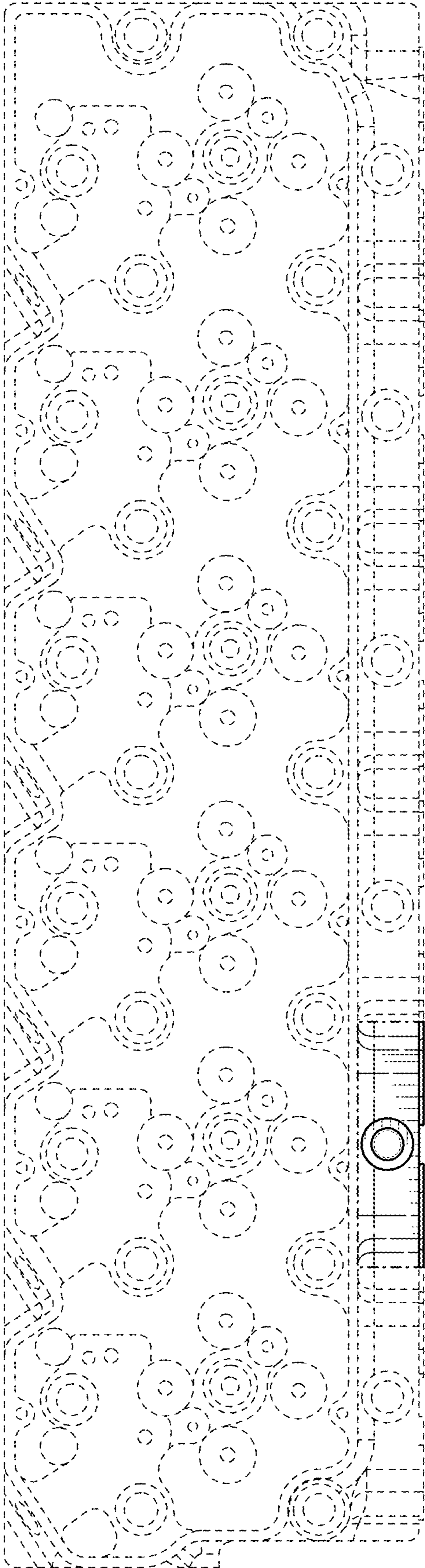


FIG. 5

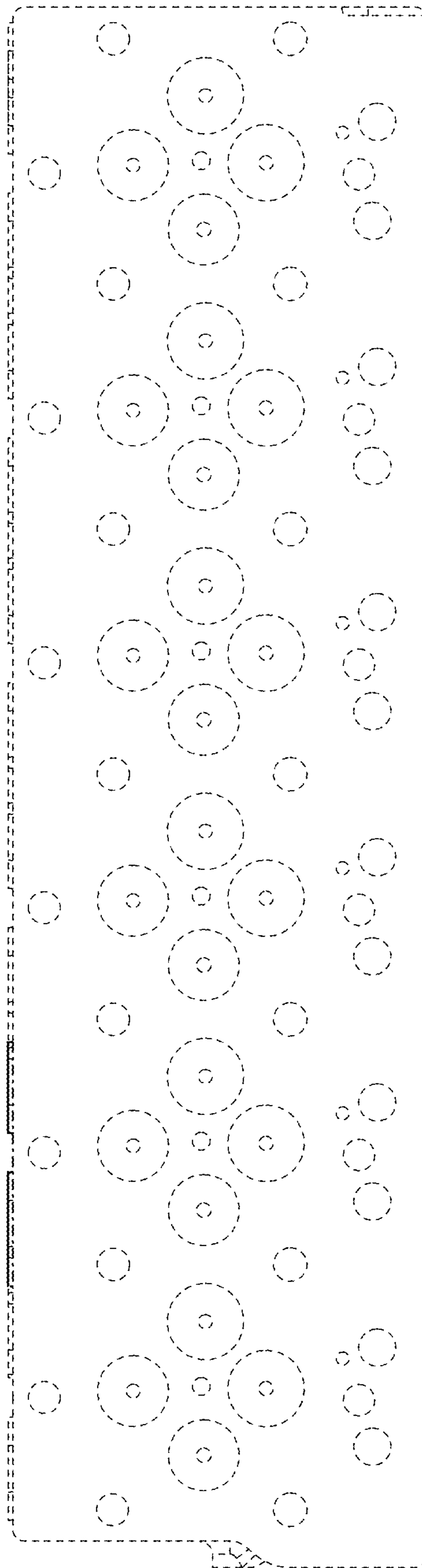


FIG. 6

UNITED STATES PATENT AND TRADEMARK OFFICE
CERTIFICATE OF CORRECTION

PATENT NO. : D921,699 S
APPLICATION NO. : 29/677211
DATED : June 8, 2021
INVENTOR(S) : Andrew Lincoln Pumphrey

Page 1 of 1

It is certified that error appears in the above-identified patent and that said Letters Patent is hereby corrected as shown below:

On the Title Page

1. Column 1, item (56), under 'U.S. PATENT DOCUMENTS', Cite No. 2, after "Aversa" insert -- et al. --.
2. Column 1, item (56), under 'U.S. PATENT DOCUMENTS', Cite No. 3, after "Karlsson" insert -- et al. --.
3. Column 1, item (56), under 'U.S. PATENT DOCUMENTS', Cite No. 5, after "Capko" insert -- et al. --.
4. Column 2, item (56), under 'U.S. PATENT DOCUMENTS', Cite No. 6, after "Clark" insert -- et al. --.
5. Column 2, item (56), under 'U.S. PATENT DOCUMENTS', Cite No. 7, after "Shuto" insert -- et al. --.
6. Column 2, item (56), under 'U.S. PATENT DOCUMENTS', Cite No. 8, after "Nagakura" insert -- et al. --.
7. Column 2, item (56), under 'U.S. PATENT DOCUMENTS', Cite No. 9, after "Nagakura" insert -- et al. --.
8. Column 2, item (56), under 'U.S. PATENT DOCUMENTS', Cite No. 10, after "Rowells" insert -- et al. --.
9. Column 2, item (56), under 'U.S. PATENT DOCUMENTS', Cite No. 11, after "Galeazzi" insert -- et al. --.

Signed and Sealed this
Eleventh Day of October, 2022
Katherine Kelly Vidal

Katherine Kelly Vidal
Director of the United States Patent and Trademark Office