



US00D921656S

(12) **United States Design Patent** (10) **Patent No.:** **US D921,656 S**
Griswold (45) **Date of Patent:** **** *Jun. 8, 2021**

(54) **DISPLAY SCREEN OR PORTION THEREOF WITH ANIMATED GRAPHICAL USER INTERFACE**

(74) *Attorney, Agent, or Firm* — Quarles & Brady LLP

(71) Applicant: **Case Western Reserve University**,
Cleveland, OH (US)

(57) **CLAIM**

The ornamental design for a display screen or portion thereof with animated graphical user interface, as shown and described.

(72) Inventor: **Mark A. Griswold**, Shaker Heights,
OH (US)

DESCRIPTION

(73) Assignee: **Case Western Reserve University**,
Cleveland, OH (US)

FIG. 1 is a front view of a first image in a sequence for a display screen or portion thereof with animated graphical user interface showing my new design;
FIG. 2 is a second image thereof;
FIG. 3 is a third image thereof;
FIG. 4 is a fourth image thereof;
FIG. 5 is a fifth image thereof;
FIG. 6 is a sixth image thereof;
FIG. 7 is a seventh image thereof;
FIG. 8 is an eighth image thereof;
FIG. 9 is a second embodiment thereof, showing a front view of a first image in a sequence for a display screen or portion thereof with animated graphical user interface showing my new design;
FIG. 10 is a second image thereof;
FIG. 11 is a third image thereof;
FIG. 12 is a fourth image thereof;
FIG. 13 is a fifth image thereof;
FIG. 14 is a sixth image thereof;
FIG. 15 is a seventh image thereof; and,
FIG. 16 is an eighth image thereof.

(*) Notice: This patent is subject to a terminal disclaimer.

(**) Term: **15 Years**

(21) Appl. No.: **29/736,185**

(22) Filed: **May 28, 2020**

Related U.S. Application Data

(63) Continuation of application No. 29/671,580, filed on Nov. 28, 2018, now Pat. No. Des. 888,073, which is
(Continued)

(51) **LOC (13) Cl.** **14-04**

(52) **U.S. Cl.**
USPC **D14/485**

(58) **Field of Classification Search**
USPC D14/485–495
(Continued)

(56) **References Cited**

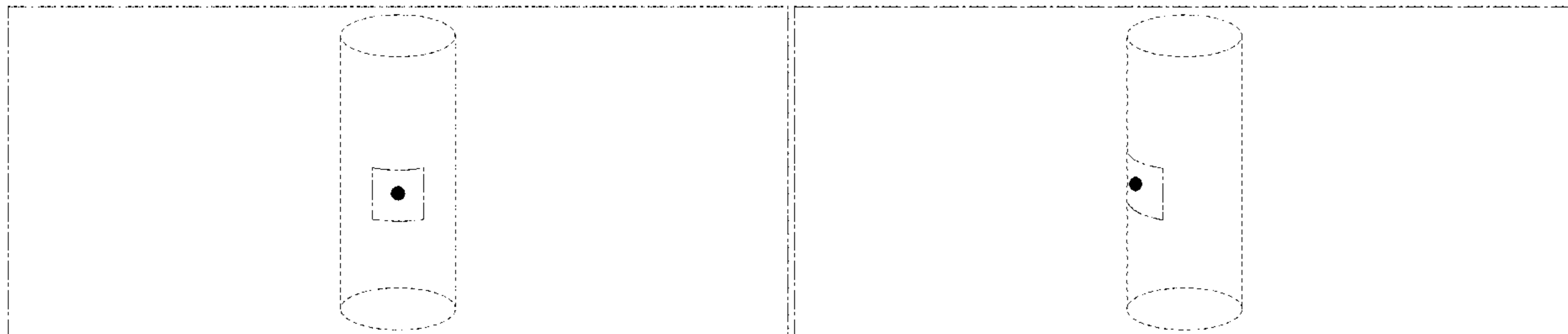
U.S. PATENT DOCUMENTS

5,870,092 A * 2/1999 Bedford-Roberts
G06F 3/0483
345/173
D469,442 S * 1/2003 Bohlen, Jr. D14/485
(Continued)

The appearance of the animated graphical user interface transitions sequentially between the images shown in FIGS. 1-8 in embodiment 1 and FIGS. 9-16 in embodiment 2. The process or period in which one image transitions to another forms no part of the claimed design. The dot-dash broken lines showing a display screen or portion thereof and elements of the graphical user interface, as well as the regular broken lines showing elements of the graphical user interface illustrate portions of the article. No subject matter shown in broken lines form part of the claimed design.

Primary Examiner — Daniel J Domino

1 Claim, 8 Drawing Sheets



Related U.S. Application Data

a continuation of application No. 29/601,331, filed on Apr. 21, 2017, now Pat. No. Des. 838,726.

- (58) **Field of Classification Search**
 CPC G06F 17/211; G06F 17/212; G06F 3/1251;
 G06F 3/0481; G06F 2203/04807
 See application file for complete search history.

(56) **References Cited**

U.S. PATENT DOCUMENTS

D479,531 S * 9/2003 Yanagida D14/486
 6,880,132 B2 * 4/2005 Uemura G06F 3/04815
 715/848
 D519,515 S * 4/2006 Mugura D14/485
 D553,146 S * 10/2007 Byeon D14/486
 7,386,799 B1 * 6/2008 Clanton A63F 13/12
 715/758
 D580,947 S * 11/2008 Onai D14/486
 7,479,949 B2 * 1/2009 Jobs H04M 1/72552
 345/173
 D603,421 S * 11/2009 Ebeling D14/489
 D616,503 S 5/2010 Scatterday
 D622,283 S * 8/2010 Van Os D14/486
 D625,324 S 10/2010 Fitzmaurice
 D626,648 S 11/2010 Ahlgren
 D630,321 S 1/2011 Hamilton, Jr.
 D630,729 S 1/2011 Bierman
 7,988,553 B2 * 8/2011 Kastner G07F 7/025
 463/29
 D648,851 S 11/2011 Copeland
 8,066,644 B2 11/2011 Sarkar
 D656,954 S * 4/2012 Arnold D14/489
 D664,992 S * 8/2012 Pizzutelli D14/492
 D665,418 S * 8/2012 Pizzutelli D14/492
 D689,874 S 9/2013 Brinda
 8,585,598 B2 * 11/2013 Razzaque A61B 90/37
 600/439
 D700,192 S 2/2014 Kaplan
 D705,250 S 5/2014 Khanna
 8,750,568 B2 * 6/2014 Frank A61B 8/0841
 382/103
 D716,832 S * 11/2014 Schoger D14/486
 D718,781 S 12/2014 Arnold
 D719,583 S 12/2014 Edwards
 D720,366 S 12/2014 Hiltunen
 D720,770 S 1/2015 Lacour
 D720,771 S 1/2015 Lacour
 D726,208 S 4/2015 Dorfmann
 D743,977 S 11/2015 Dela Cruz
 D748,137 S 1/2016 Merschon
 D753,150 S * 4/2016 Chmiel D14/485
 D753,677 S * 4/2016 Lee D14/485
 D753,712 S 4/2016 Lee
 D754,716 S * 4/2016 Davis D14/487
 D755,205 S * 5/2016 Sanderson D14/485
 D758,403 S * 6/2016 Lee D14/486
 D760,790 S 7/2016 Ishii
 D761,313 S * 7/2016 Quinn D14/492
 D761,808 S 7/2016 Quinn

D761,840 S 7/2016 Patterson
 D762,665 S 8/2016 Lee
 D764,549 S 8/2016 Cavander
 D765,681 S 9/2016 Nagel
 D766,961 S 9/2016 Choi
 D769,891 S 10/2016 Cho
 D780,982 S 3/2017 Starck
 D781,314 S * 3/2017 Astrom D14/486
 D781,873 S * 3/2017 Wu D14/485
 D785,656 S * 5/2017 Bramer D14/486
 D790,581 S * 6/2017 Chaudhri D14/486
 D791,144 S * 7/2017 Li D14/485
 D791,146 S * 7/2017 Su D14/485
 D792,894 S * 7/2017 Dzijind D14/486
 D794,672 S * 8/2017 Hirai D14/489
 D795,887 S * 8/2017 Bates D14/485
 D795,909 S 8/2017 Hirai
 D799,502 S * 10/2017 Kim D14/485
 D802,620 S * 11/2017 Bae D14/487
 D815,648 S 4/2018 Iyer
 D819,074 S * 5/2018 Chow D14/489
 D822,698 S 7/2018 Kim
 D832,866 S * 11/2018 Gomez-Rosado D14/485
 D835,126 S 12/2018 Sakata
 D835,129 S 12/2018 Yamazaki
 D836,123 S 12/2018 Pillalamarri
 D836,671 S * 12/2018 Guzman D14/489
 D838,726 S * 1/2019 Griswold D14/485
 D838,728 S 1/2019 Samanta
 D844,662 S * 4/2019 Schmidt D14/489
 D845,340 S * 4/2019 Wu D14/489
 D858,572 S * 9/2019 Kwiatkowski D14/489
 D862,515 S * 10/2019 Guzman D14/489
 D865,775 S 11/2019 Jones
 D866,590 S 11/2019 Akagawa
 D868,801 S 12/2019 Anno
 D868,802 S 12/2019 Tzeng
 D868,803 S 12/2019 Suslik
 D869,483 S 12/2019 Wilde
 D869,494 S 12/2019 Guo
 D869,495 S 12/2019 Pillalamarri
 D869,499 S 12/2019 Cronin
 D870,122 S 12/2019 Yoshioka
 D870,763 S 12/2019 Kiefer
 D871,423 S 12/2019 Butler
 D872,102 S * 1/2020 Wang D14/485
 D872,737 S * 1/2020 Ressel D14/485
 D872,751 S 1/2020 Ziezold
 D873,279 S 1/2020 Dye
 D885,427 S * 5/2020 Elgena D14/489
 D885,428 S * 5/2020 Elgena D14/489
 D889,509 S * 7/2020 Choi D14/489
 D890,192 S * 7/2020 Cortesi D14/485
 D890,195 S * 7/2020 Luchner D14/486
 D896,272 S * 9/2020 Griffin D14/492
 2008/0036776 A1 * 2/2008 Niles G06F 3/04847
 345/474
 2009/0243957 A1 * 10/2009 Ni G06F 3/04815
 345/1.1
 2010/0229130 A1 * 9/2010 Edge G06F 3/04883
 715/863
 2017/0212967 A1 * 7/2017 Dexter G06F 30/13

* cited by examiner

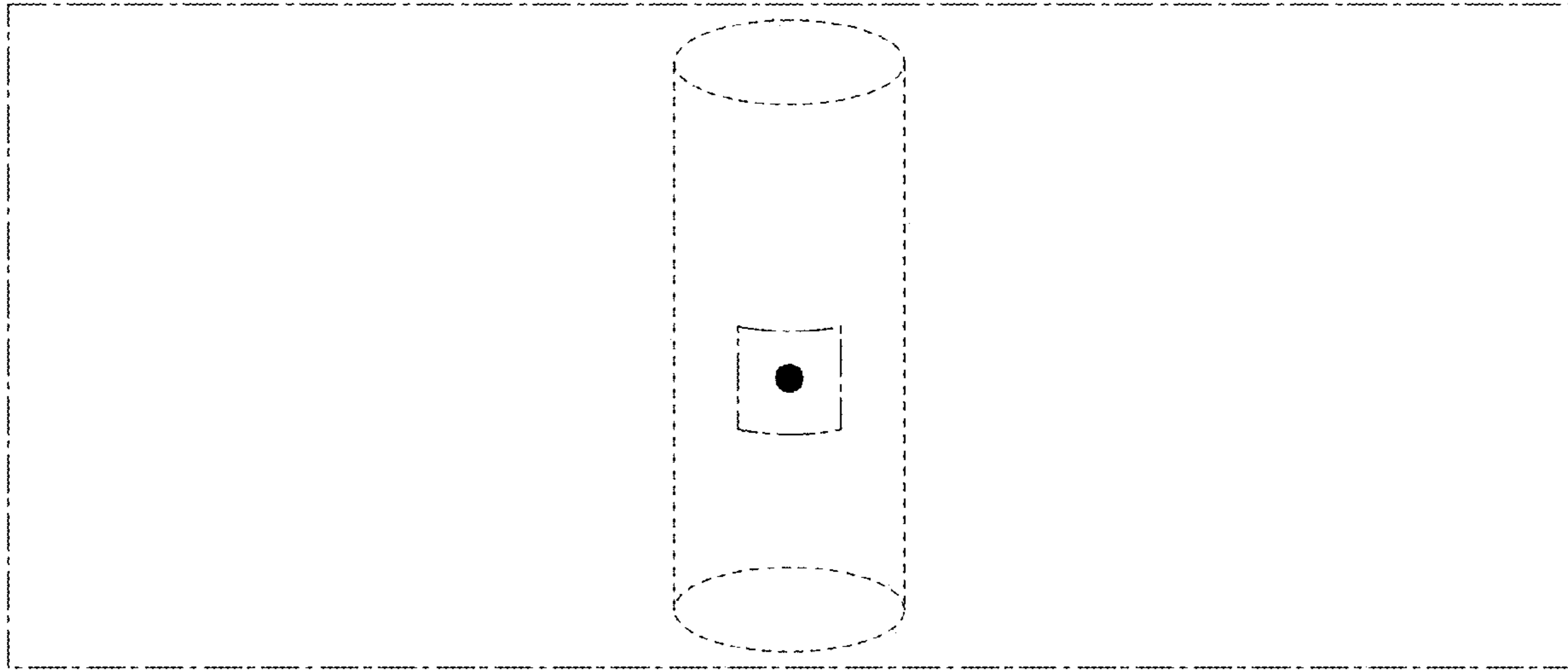


FIG. 1

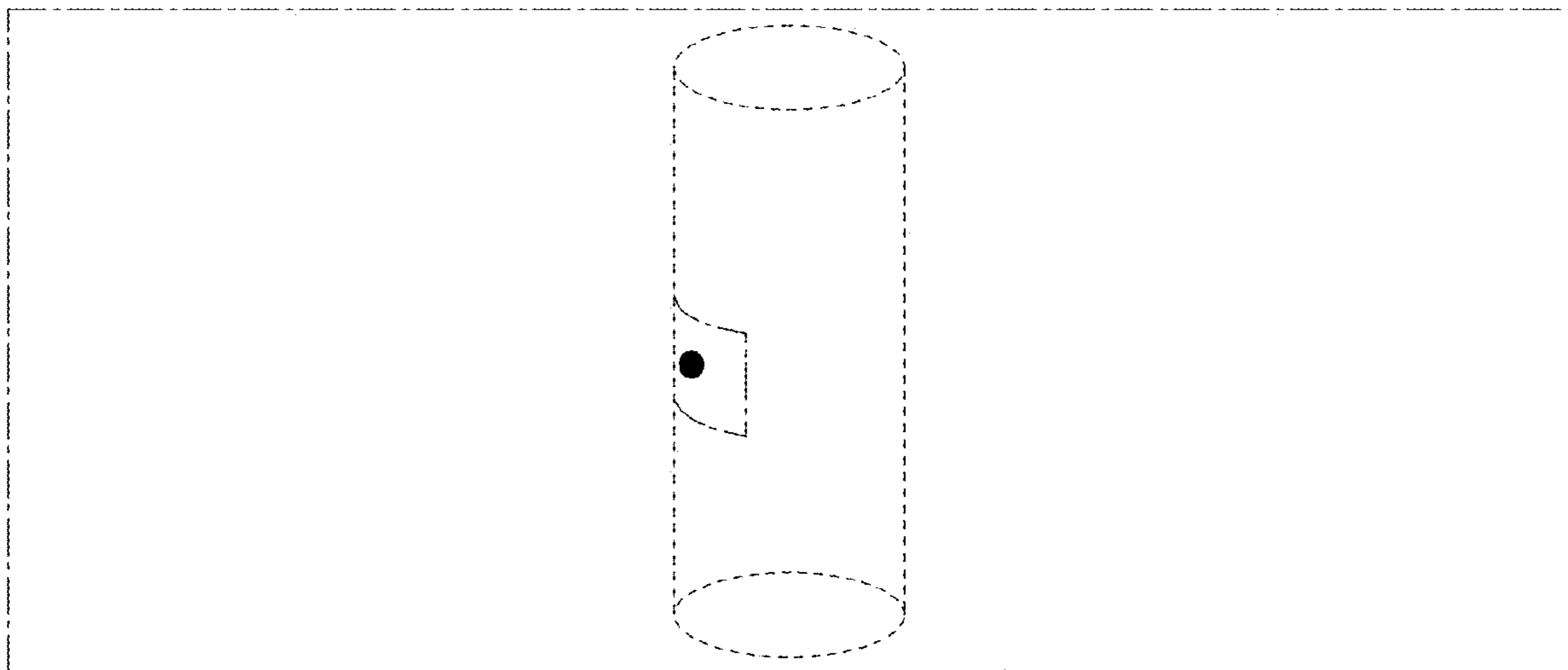


FIG. 2

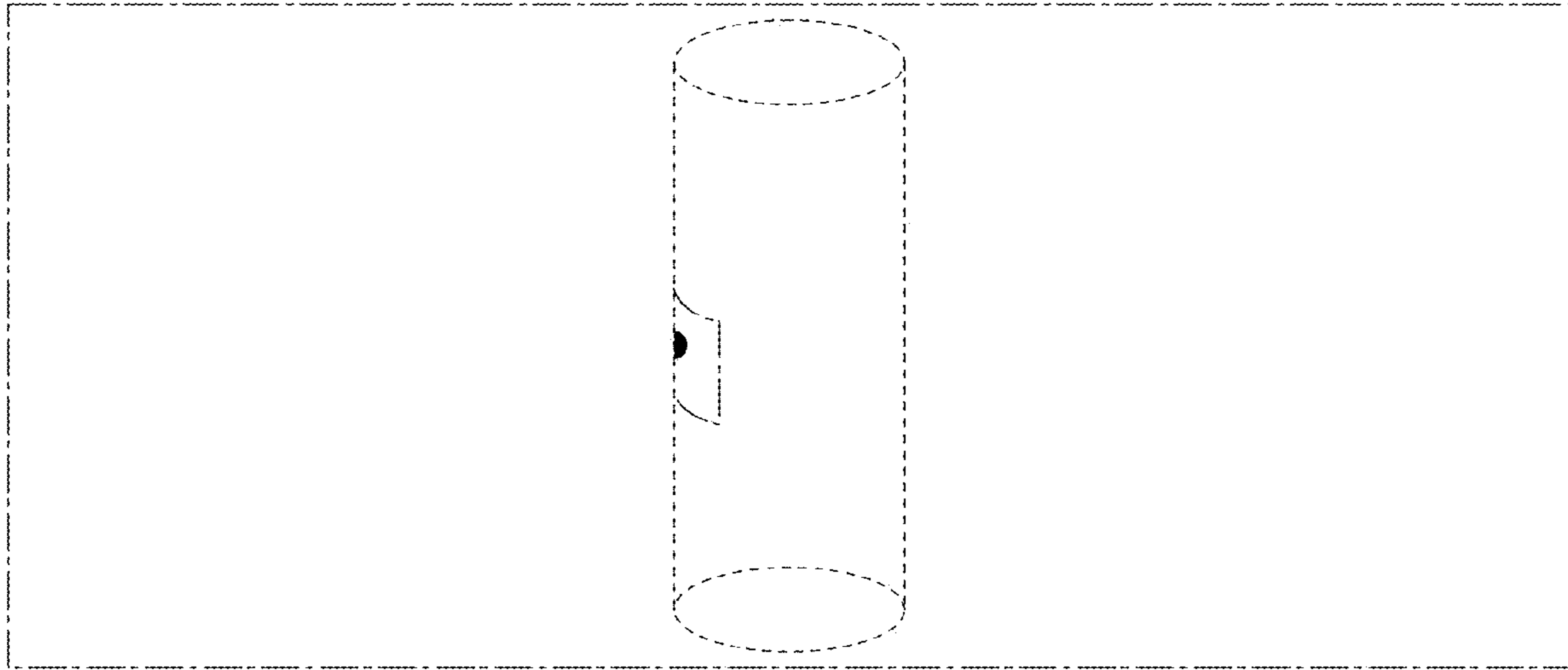


FIG. 3

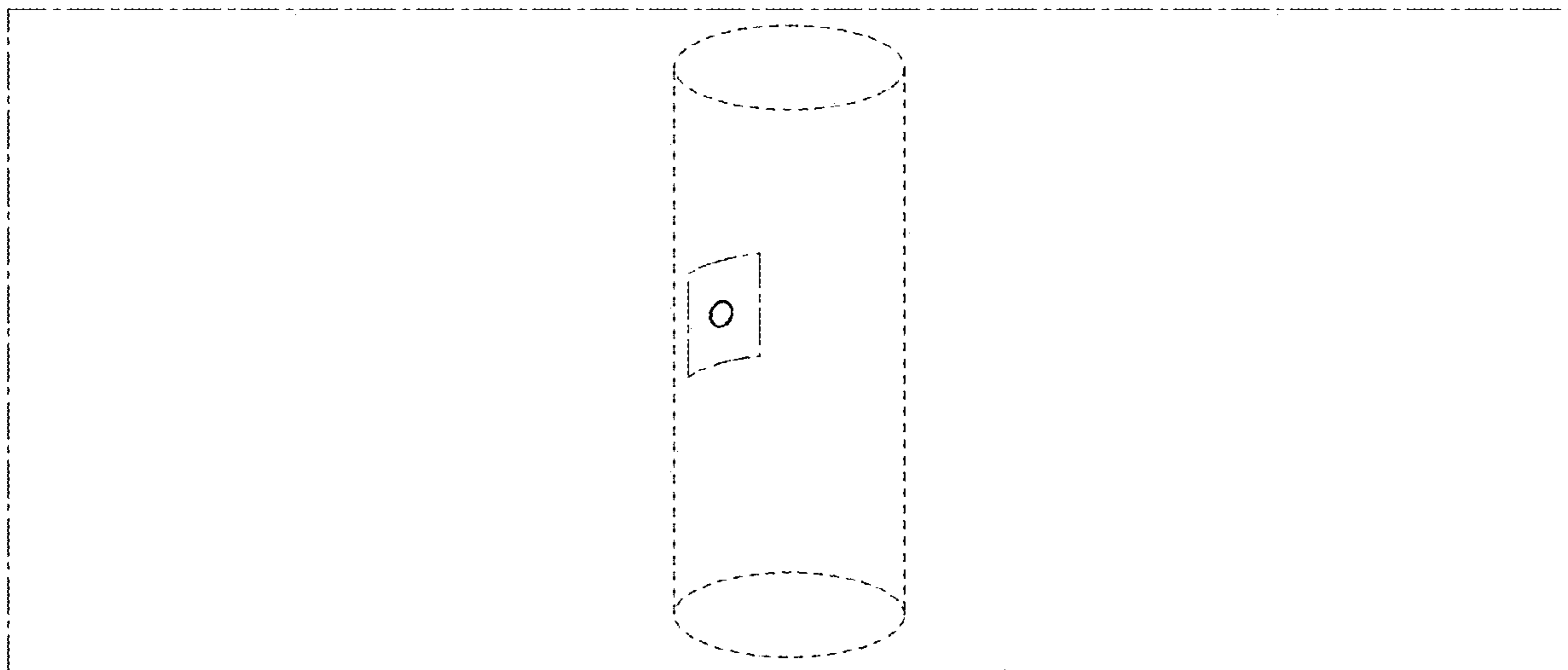


FIG. 4

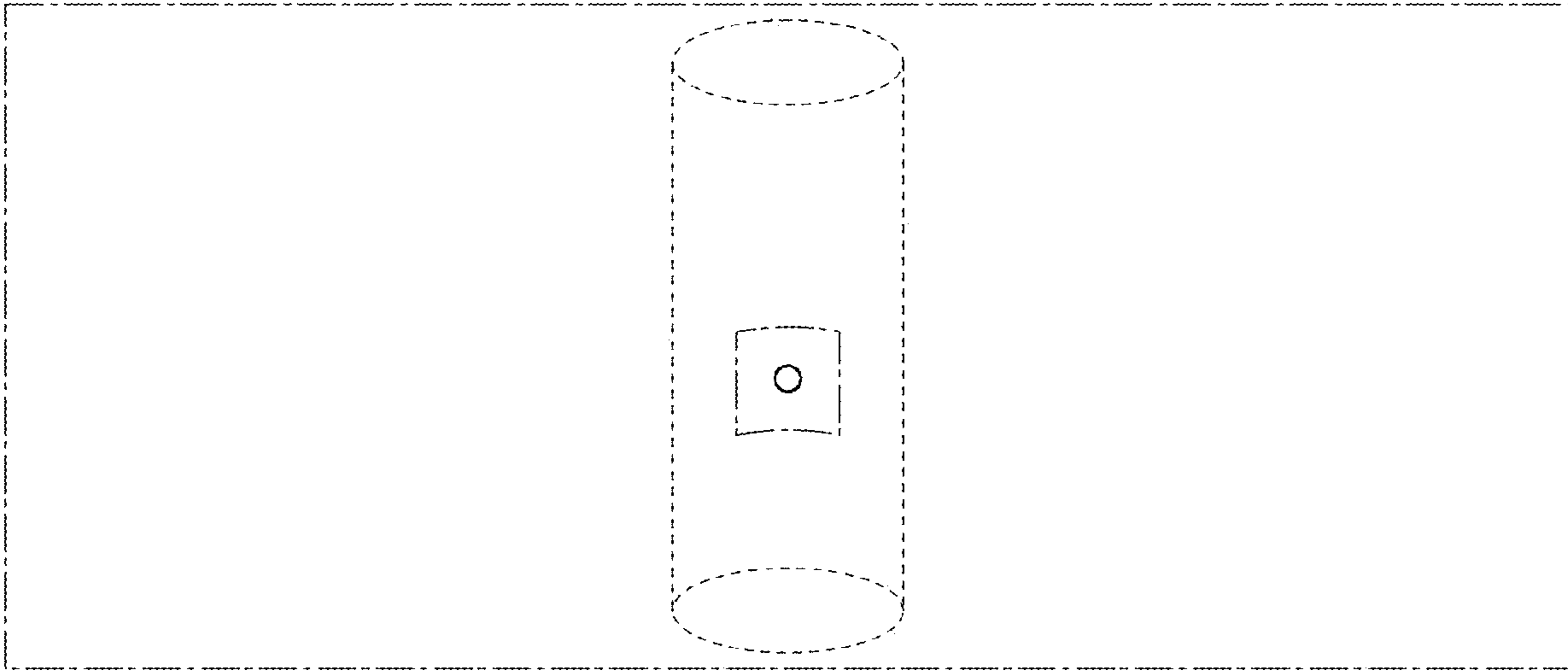


FIG. 5

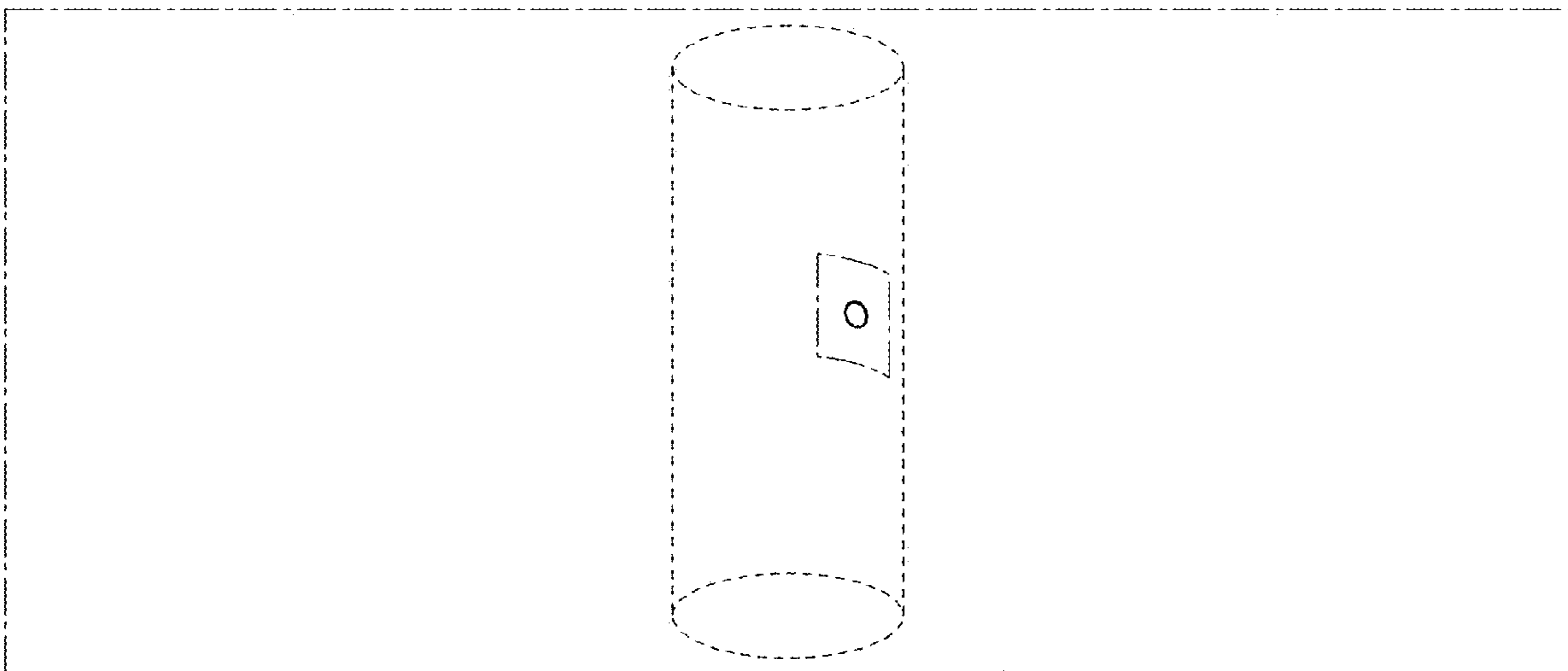


FIG. 6

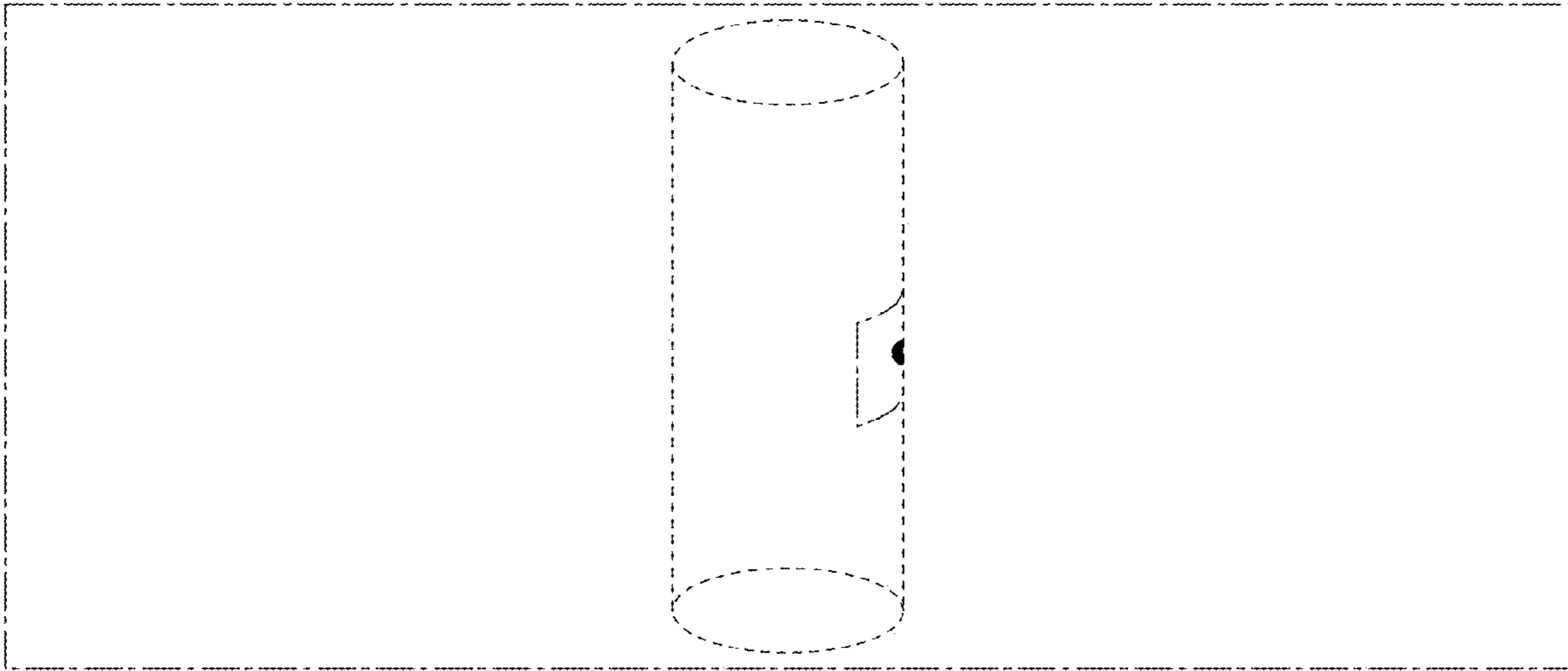


FIG. 7

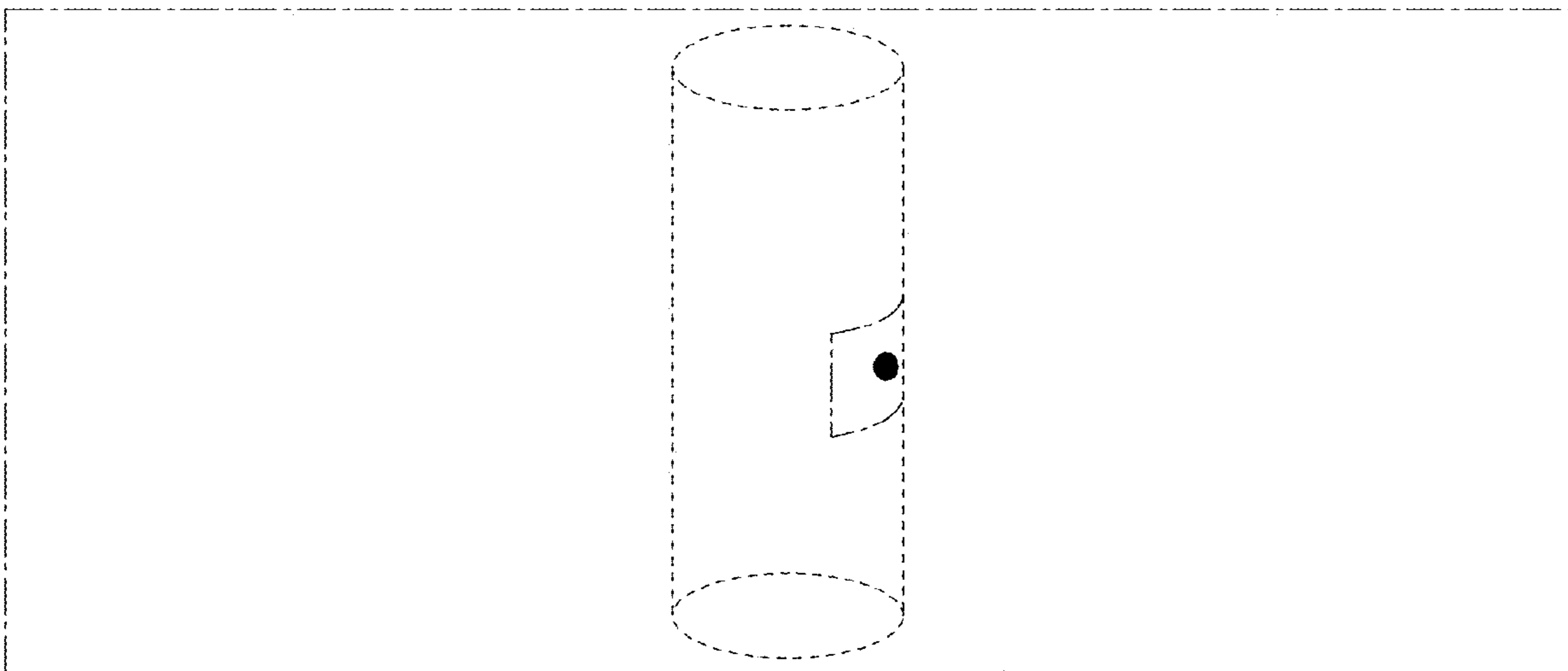


FIG. 8

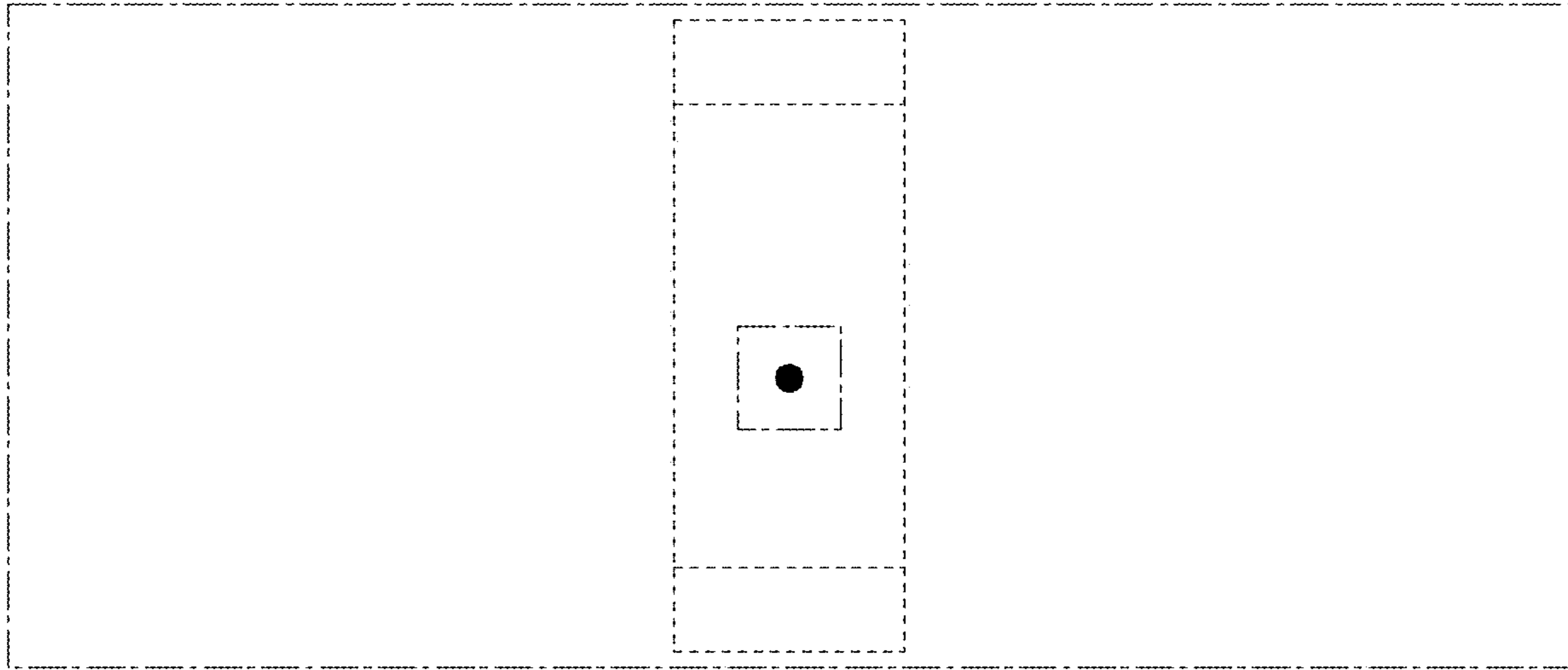


FIG. 9

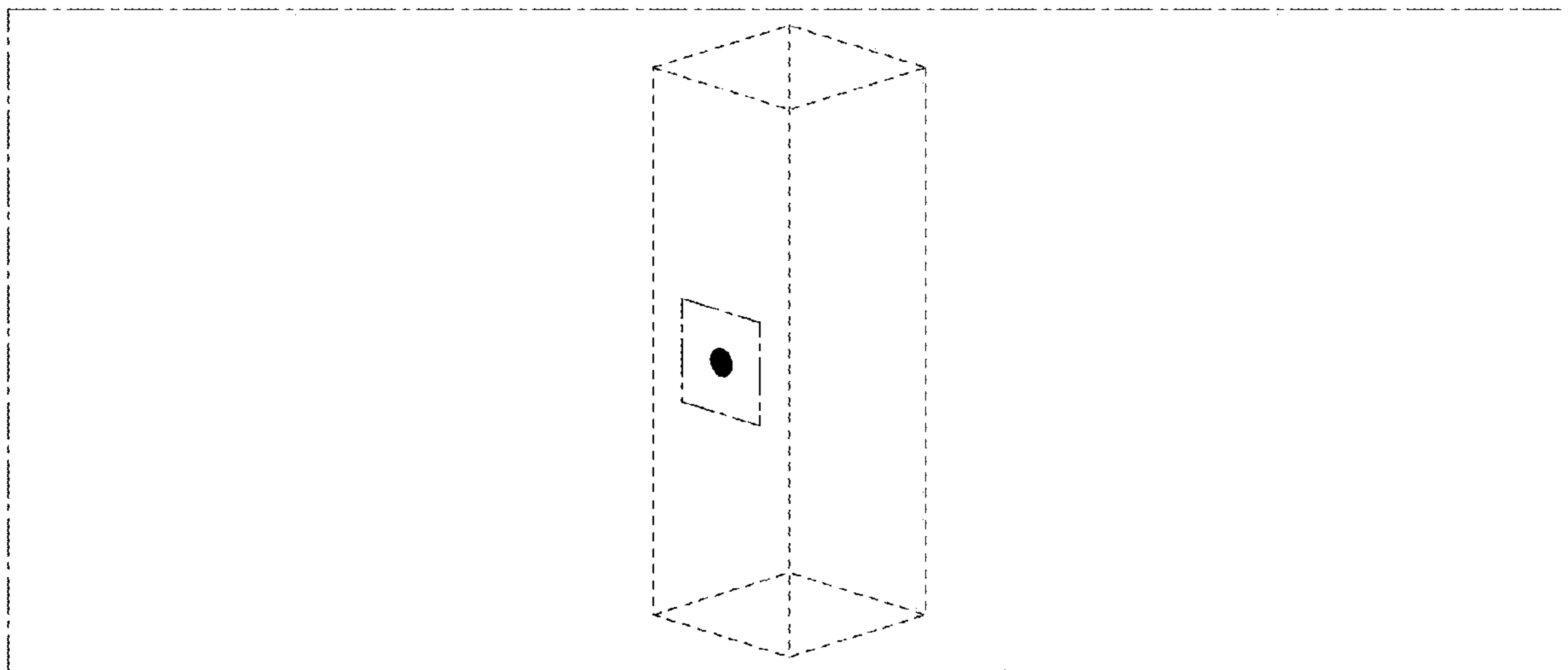


FIG. 10

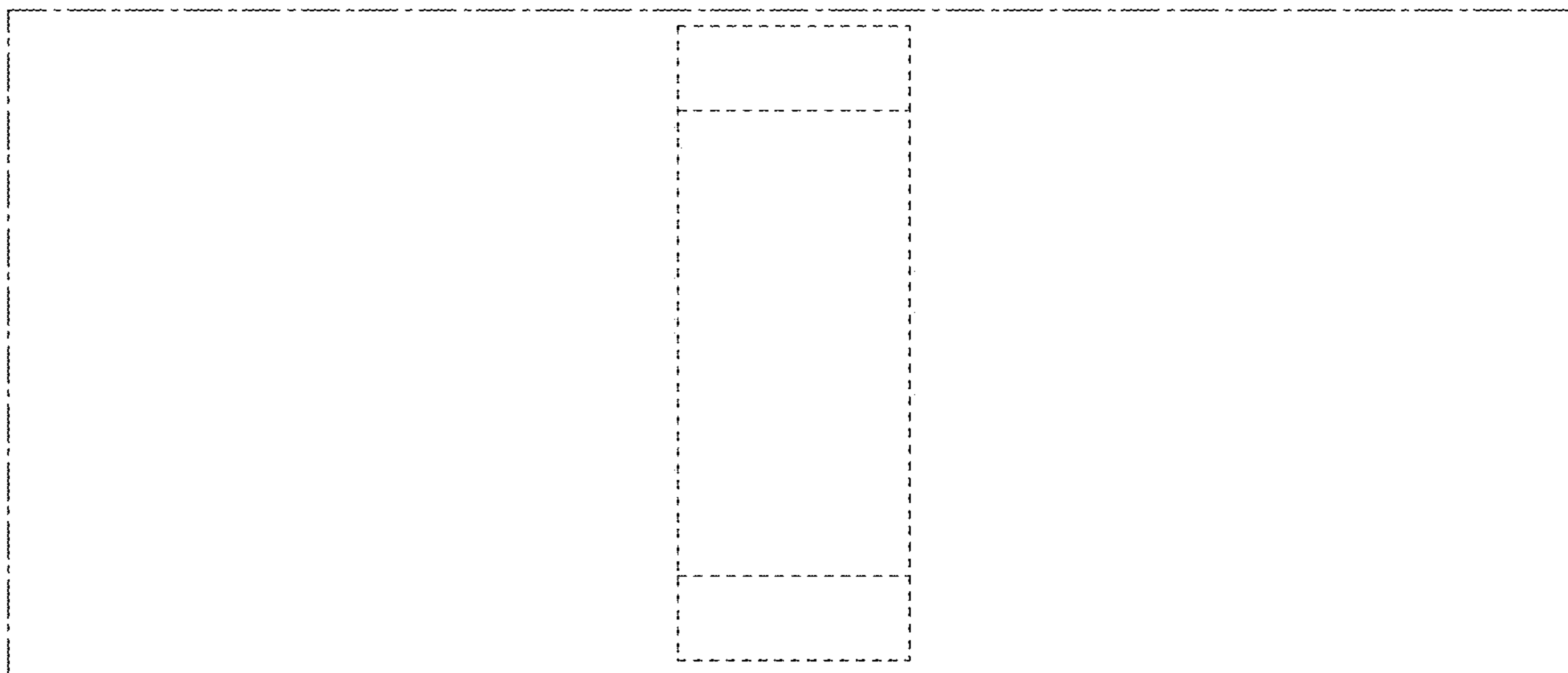


FIG. 11

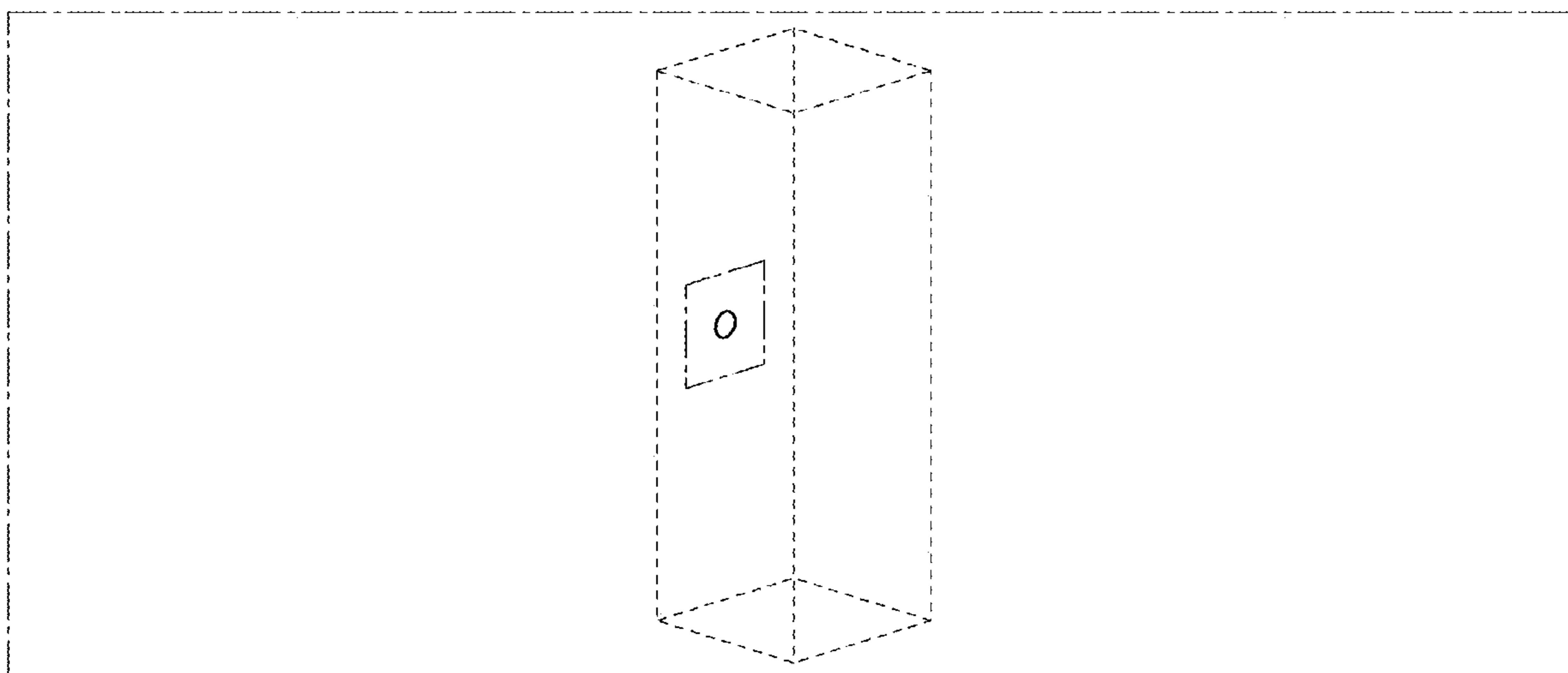


FIG. 12

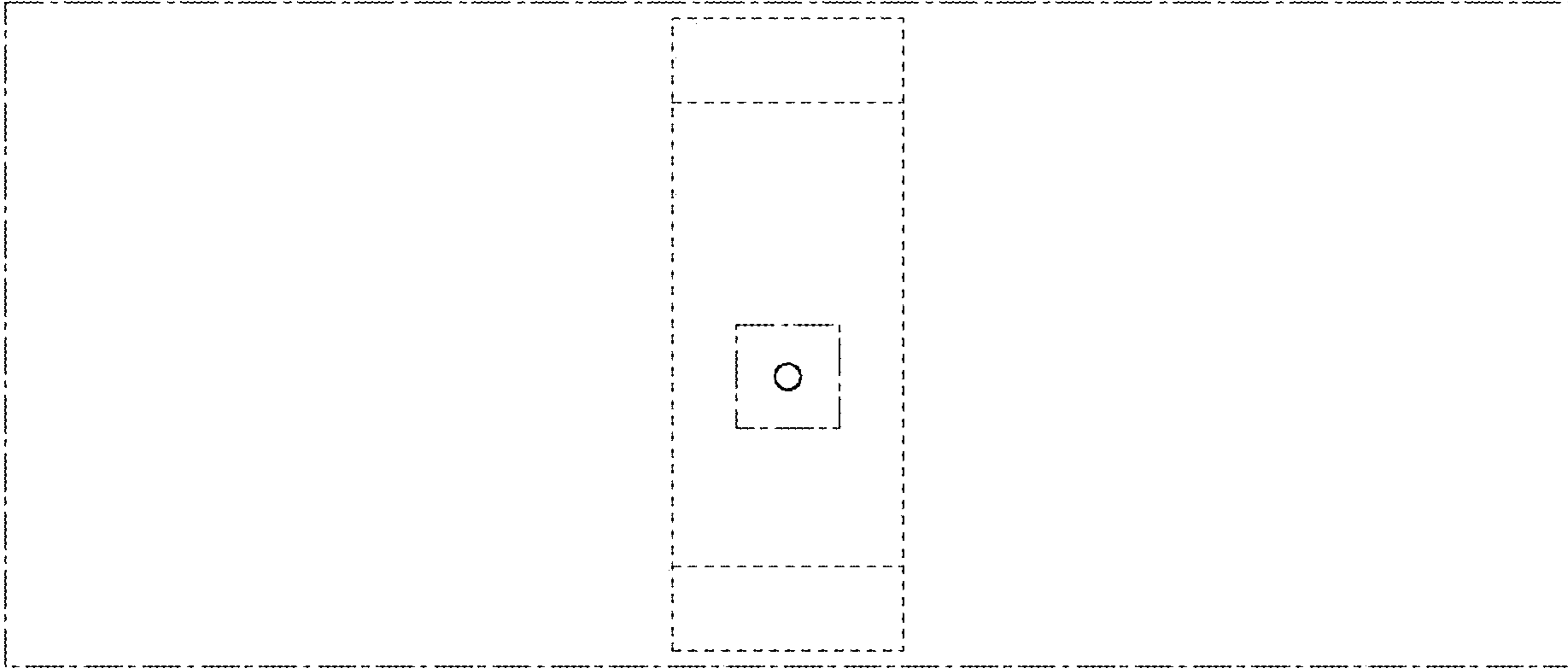


FIG. 13

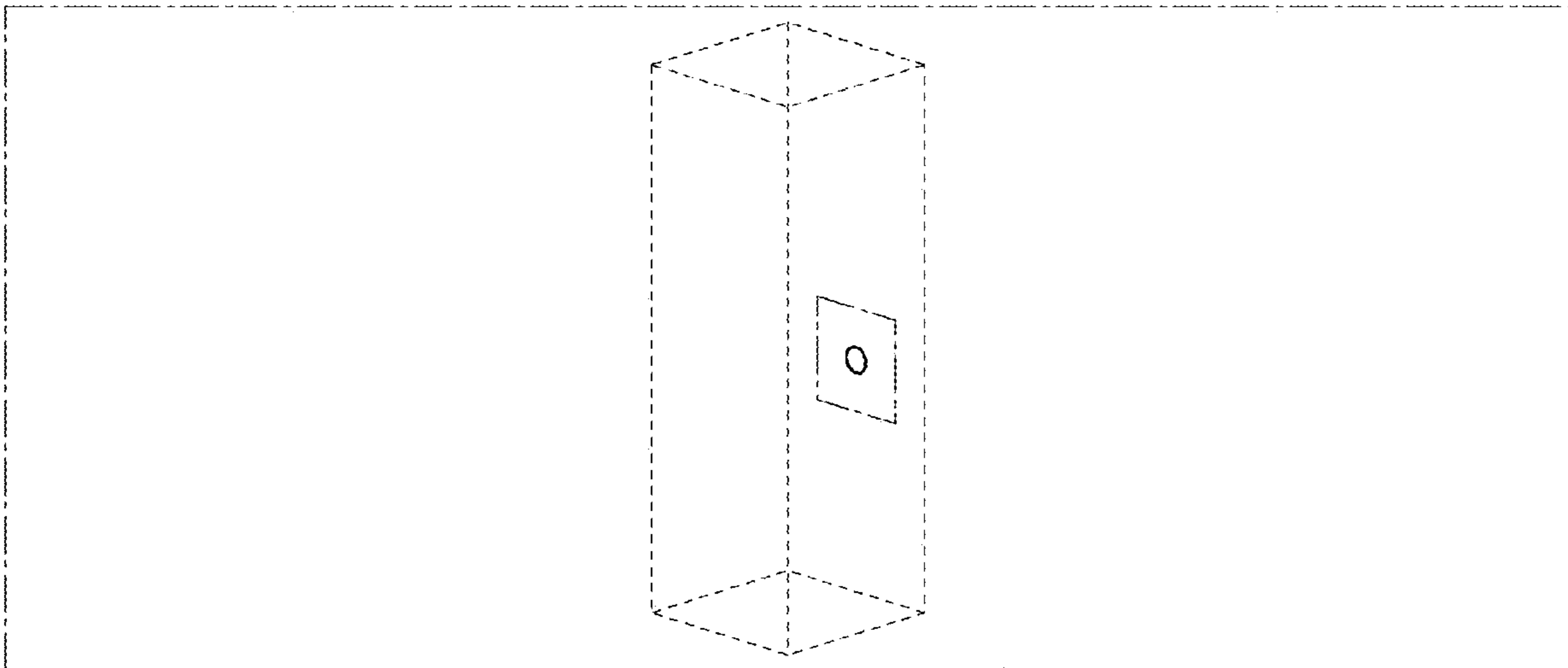


FIG. 14

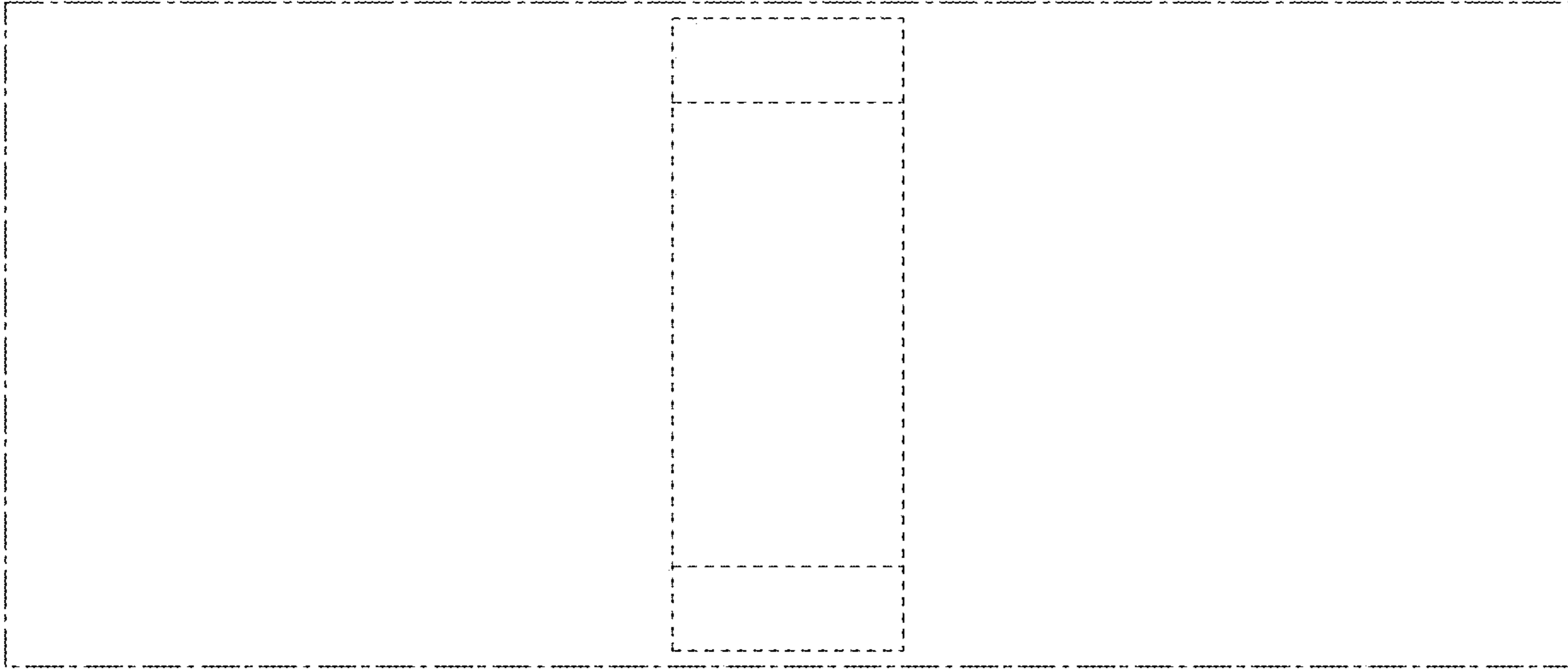


FIG. 15

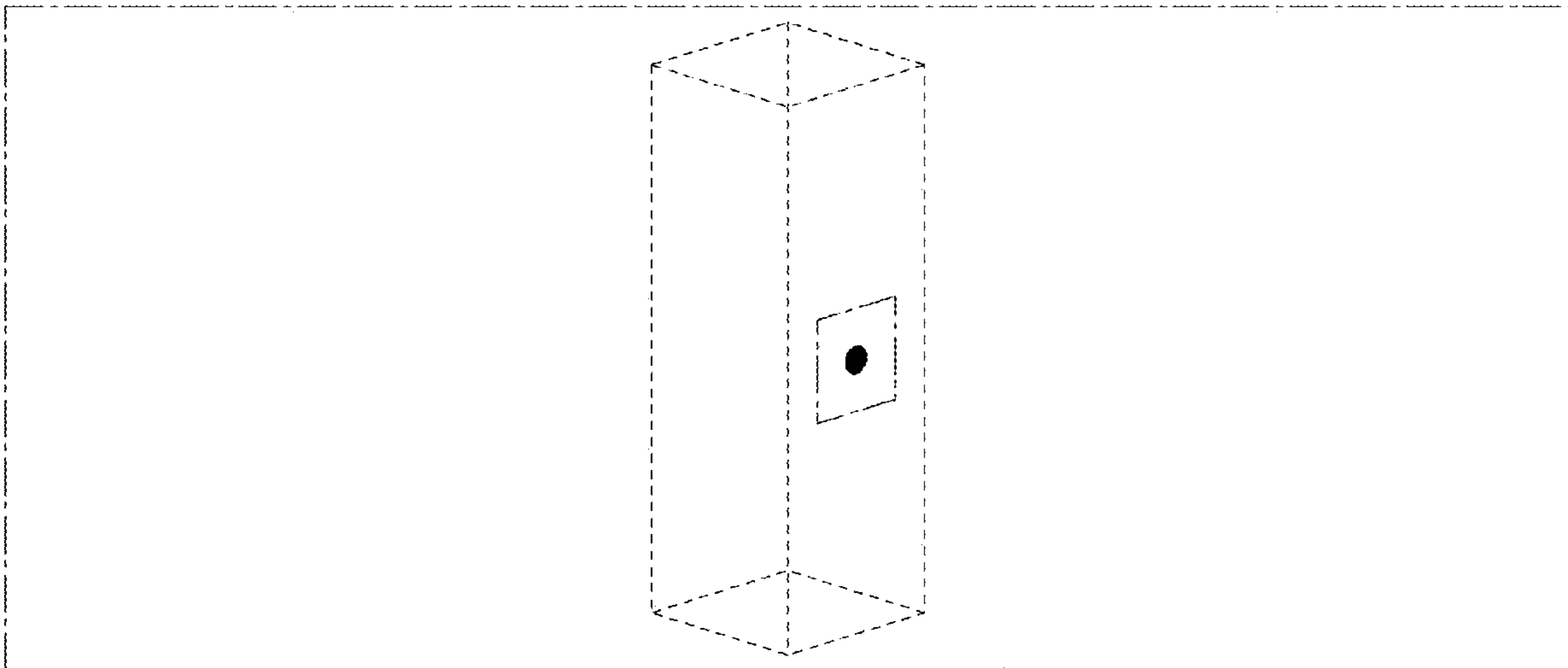


FIG. 16