



US00D921655S

(12) **United States Design Patent**
Giffels

(10) **Patent No.:** **US D921,655 S**

(45) **Date of Patent:** **** Jun. 8, 2021**

(54) **DISPLAY SCREEN WITH ANIMATED GRAPHICAL USER INTERFACE**

(71) Applicant: **Stryker European Operations Limited**, Carrigtwohill (IE)

(72) Inventor: **Matthew Giffels**, Allegan, MI (US)

(73) Assignee: **Stryker European Operations Limited**, Carrigtwohill (IE)

(**) Term: **15 Years**

(21) Appl. No.: **29/720,408**

(22) Filed: **Jan. 13, 2020**

(51) **LOC (13) Cl.** **14-04**

(52) **U.S. Cl.**
USPC **D14/485**

(58) **Field of Classification Search**
USPC D14/485-495; D20/11; D10/68, 102, D10/103; D22/109
CPC G06F 3/048-04897
See application file for complete search history.

(56) **References Cited**

U.S. PATENT DOCUMENTS

6,037,936	A *	3/2000	Ellenby	G06F 3/0481	715/764
6,529,765	B1	3/2003	Franck et al.			
D542,879	S *	5/2007	Zaderey	F41G 1/38	D22/108
D651,611	S *	1/2012	Ouilhet	D14/489	
D727,336	S *	4/2015	Allison	D14/485	
D727,928	S *	4/2015	Allison	D14/485	
D755,240	S *	5/2016	Cavander	G06F 3/04817	D14/494

(Continued)

OTHER PUBLICATIONS

Targets destination., by Olga Kurbatova, uploaded Mar. 18, 2019, istockphoto.com [online]. Retrieved Nov. 5, 2020 from internet

<URL: <https://www.istockphoto.com/vector/targets-destination-aim-sniper-shoot-focus-cursor-bullseye-mark-targeting-aiming-gm1136644050-302789651>> (Year: 2019).*

(Continued)

Primary Examiner — Karen E Kearney

Assistant Examiner — Andrew T Nemeth

(74) *Attorney, Agent, or Firm* — Howard & Howard Attorneys PLLC

(57) **CLAIM**

The ornamental design for a display screen with animated graphical user interface, as shown and described.

DESCRIPTION

FIG. 1 is a front view of a display screen with animated graphical user interface with a first image in an animated sequence;

FIG. 2 is a front view of the display screen with animated graphical user interface with a second image in the animated sequence;

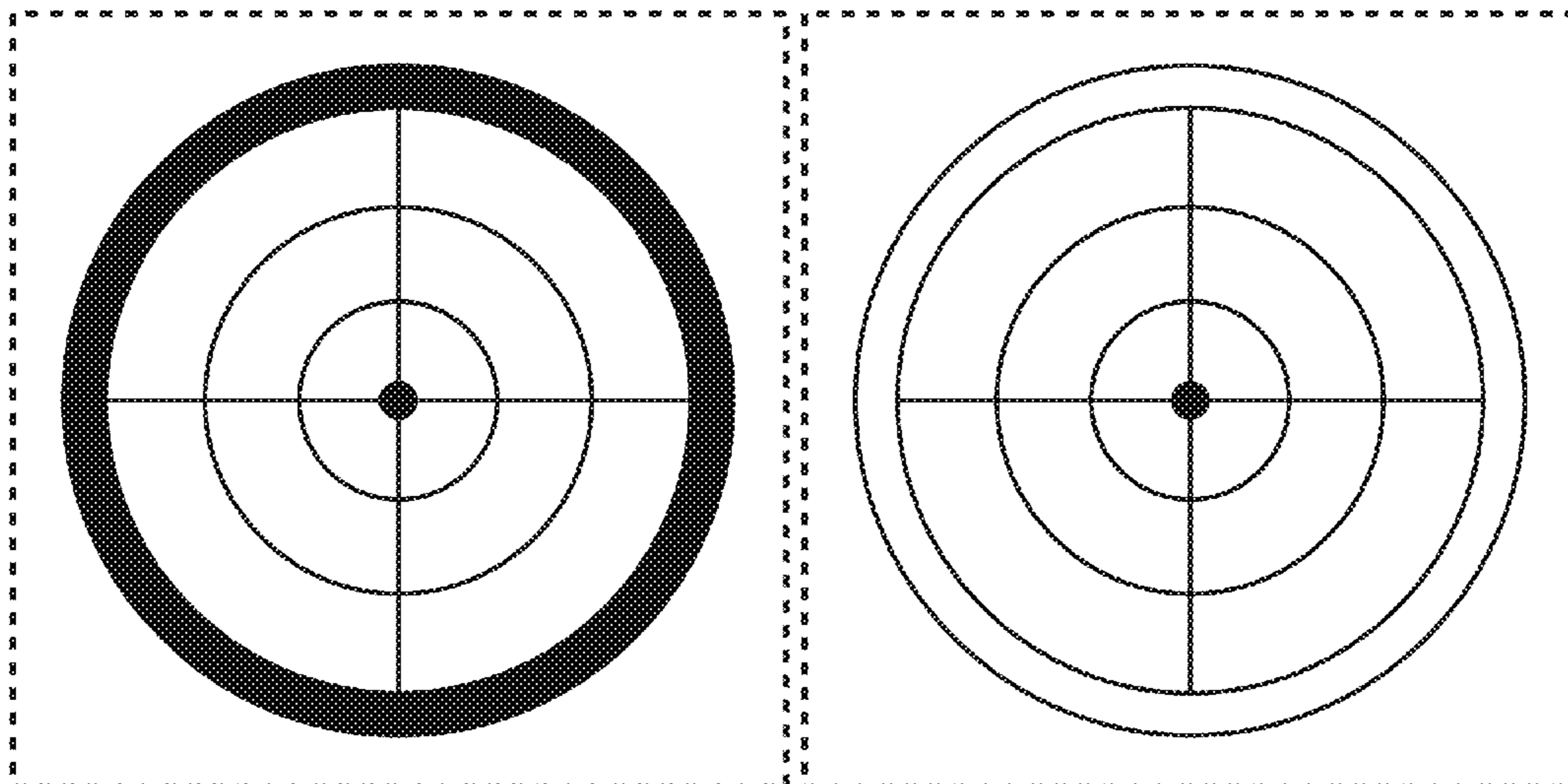
FIG. 3 is a front view of the display screen with animated graphical user interface with a third image in the animated sequence;

FIG. 4 is a front view of the display screen with animated graphical user interface with a fourth image in the animated sequence; and,

FIG. 5 is a front view of the display screen with animated graphical user interface with a fifth image in the animated sequence.

In the drawings, the outermost broken lines in the figures show a display screen or portion thereof and form no part of the claimed design. The appearance of the animated graphical user interface transitions between the images shown in FIGS. 1-5. The process or period in which one image transitions to another image forms no part of the claimed design.

1 Claim, 3 Drawing Sheets



(56)

References Cited

U.S. PATENT DOCUMENTS

D760,792 S * 7/2016 Liu G06F 3/04817
D14/494
D771,130 S * 11/2016 Cho D14/490
9,510,771 B1 * 12/2016 Finley A61B 34/20
9,594,980 B1 * 3/2017 Graham A61B 6/5241
D785,128 S * 4/2017 Kobayashi D22/109
9,626,589 B1 * 4/2017 Graham G06K 9/34
D788,122 S * 5/2017 Tada D14/485
D798,752 S * 10/2017 Nakaniwa D10/74
D799,498 S * 10/2017 Graham D14/485
D800,764 S * 10/2017 Thoreson D14/488
D802,702 S * 11/2017 Zhang D22/109
D807,376 S * 1/2018 Mizono D14/485
D815,971 S * 4/2018 Goldstein D10/126
D820,863 S * 6/2018 Zhang D14/486
10,130,429 B1 * 11/2018 Weir A61B 34/30
D839,897 S * 2/2019 Graham D14/486
D848,466 S * 5/2019 Mizono D14/486
D852,821 S * 7/2019 Anderson D14/485
D854,569 S * 7/2019 Hu D14/486
D870,738 S * 12/2019 Robinson D14/485
D884,714 S * 5/2020 Lee D14/485
D888,093 S * 6/2020 Huft D14/489
D891,448 S * 7/2020 Graham D14/486
2005/0182454 A1 * 8/2005 Gharib A61B 17/02
607/48
2008/0221520 A1 9/2008 Nagel et al.
2010/0229130 A1 * 9/2010 Edge G06F 3/04883
715/863
2011/0118609 A1 * 5/2011 Goldshleger A61F 9/00829
600/476
2011/0208052 A1 * 8/2011 Entrekin G16H 15/00
600/437
2012/0116244 A1 * 5/2012 McIntyre A61N 1/36103
600/554

2013/0167060 A1 * 6/2013 Wang G06F 3/04883
715/769
2013/0275872 A1 * 10/2013 Kim G01S 3/8006
715/716
2013/0326380 A1 * 12/2013 Lai G01C 21/32
715/765
2013/0326407 A1 * 12/2013 van Os G06F 3/04883
715/810
2015/0062160 A1 * 3/2015 Sakamoto G06F 3/04815
345/633
2015/0331601 A1 * 11/2015 Rosenberg E21B 47/13
715/753
2016/0143576 A1 * 5/2016 Symon A61B 8/5261
600/411
2017/0189126 A1 * 7/2017 Weir A61B 34/30
2018/0217734 A1 8/2018 Koenig et al.
2019/0278002 A1 * 9/2019 Fewless G01W 1/10
2020/0030044 A1 * 1/2020 Wang G16H 50/50

OTHER PUBLICATIONS

Connection Points | Jun. 2018, by Nicole Santero, Jun. 5, 2018, lvgea.org [online]. Retrieved Nov. 4, 2020 from internet <URL:https://www.lvgea.org/connection-points-june-2018/> (Year: 2018).*
Trademark Serial No. 90063897, filed Sep. 21, 2020, Trademark Electronic Service System (TESS), (Year: 2020).*
Trademark Serial No. 86782251, published for opposition Aug. 9, 2016, Trademark Electronic Service System (TESS), (Year: 2016).*
Trademark Serial No. 85886562, filed Mar. 26, 2013, Trademark Electronic Service System (TESS), (Year: 2013).*
Trademark Serial No. 78678768, published for opposition Apr. 18, 2006, Trademark Electronic Service System (TESS), (Year: 2006).*
Trademark Serial No. 74230006, filed Dec. 13, 1991, Trademark Electronic Service System (TESS), (Year: 1991).*

* cited by examiner

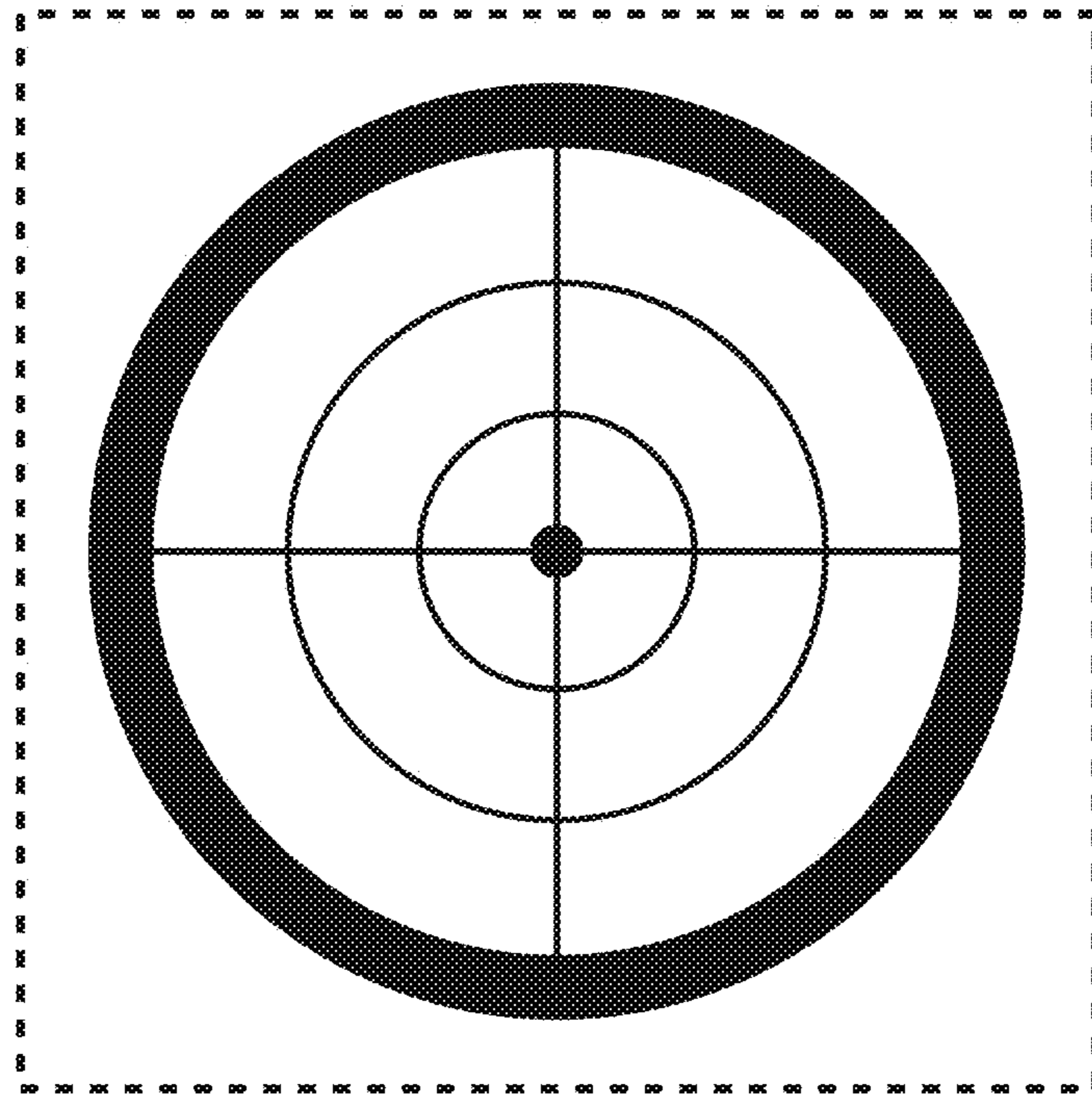


FIG. 1

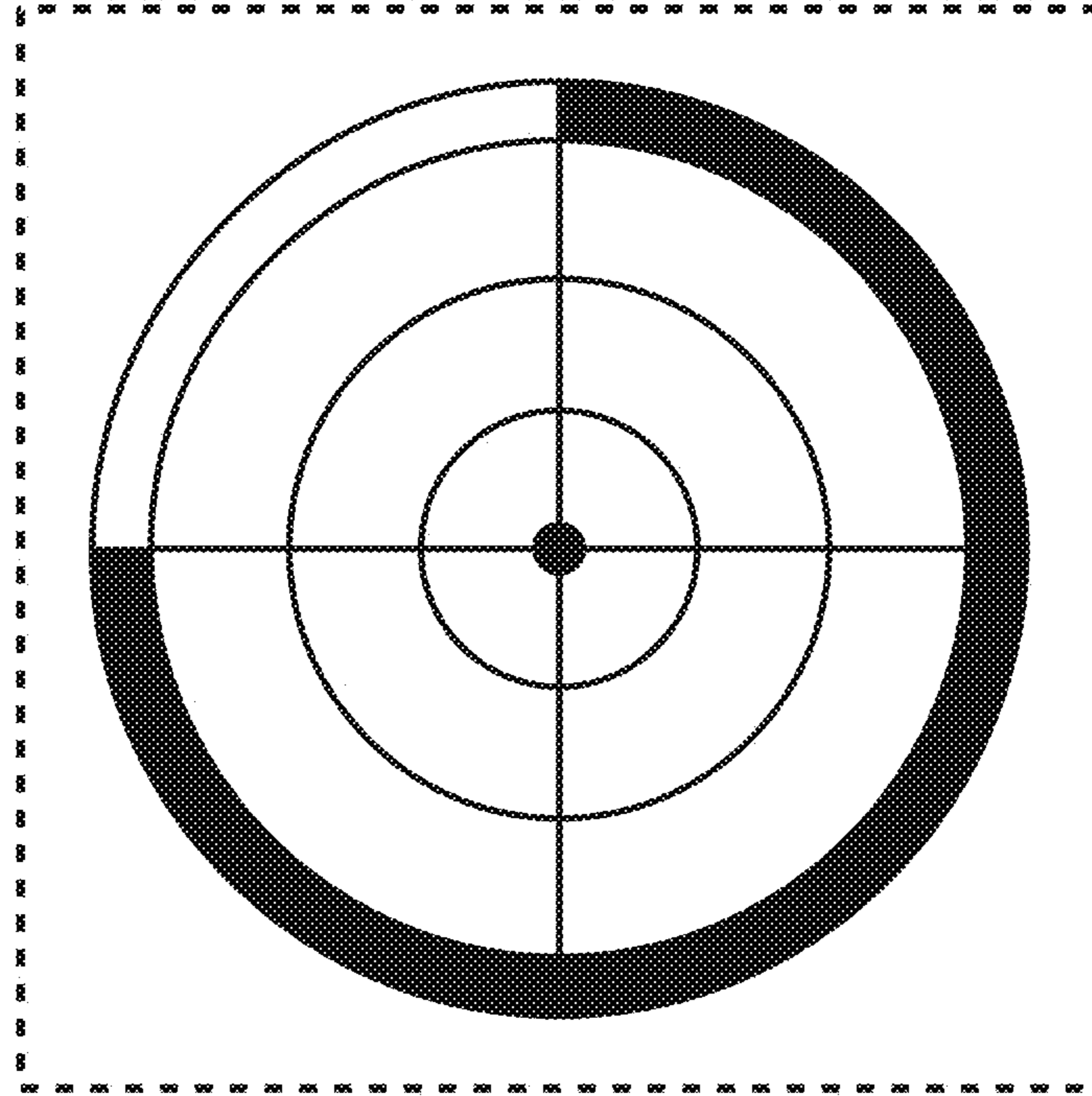


FIG. 2

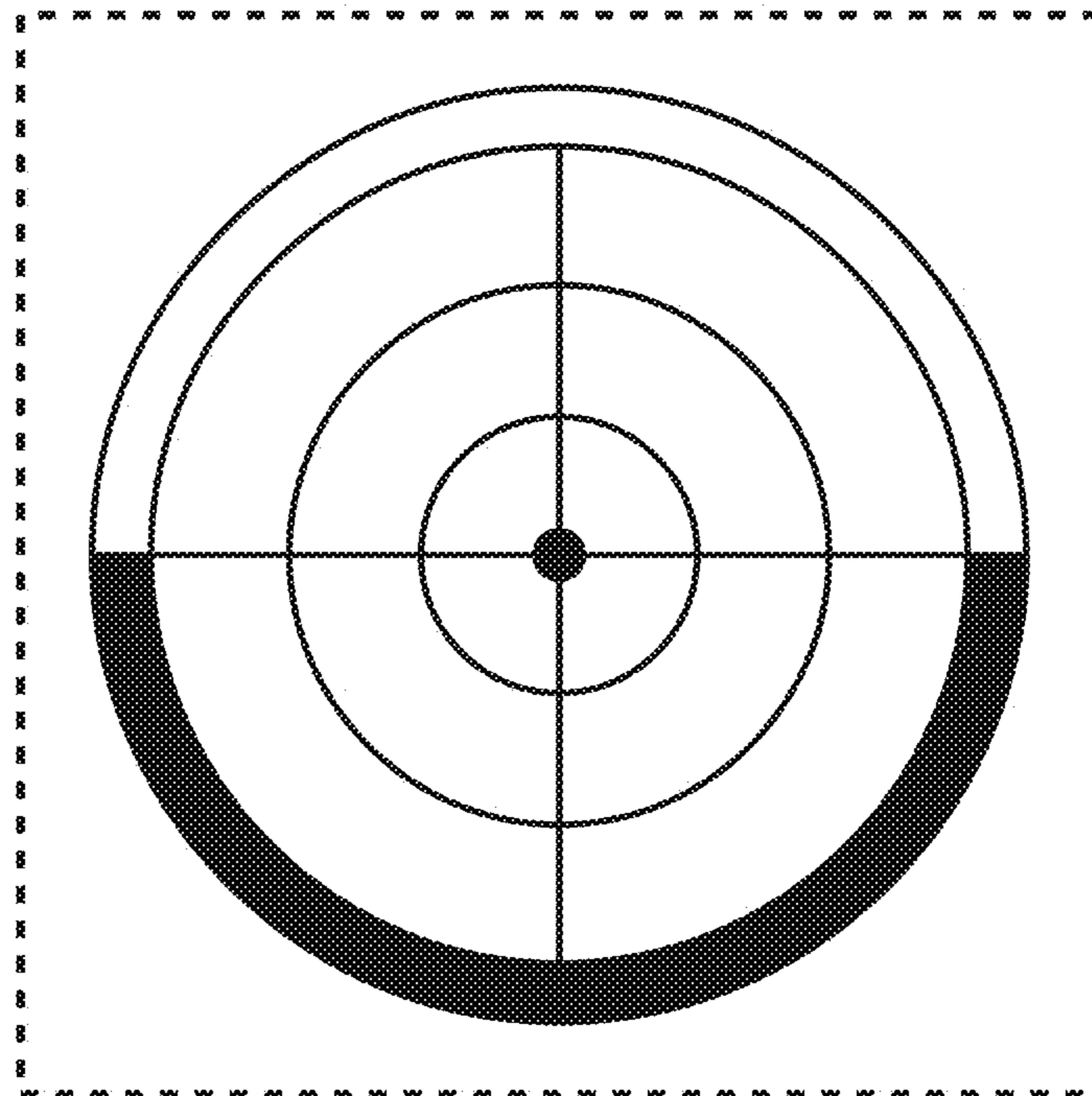


FIG. 3

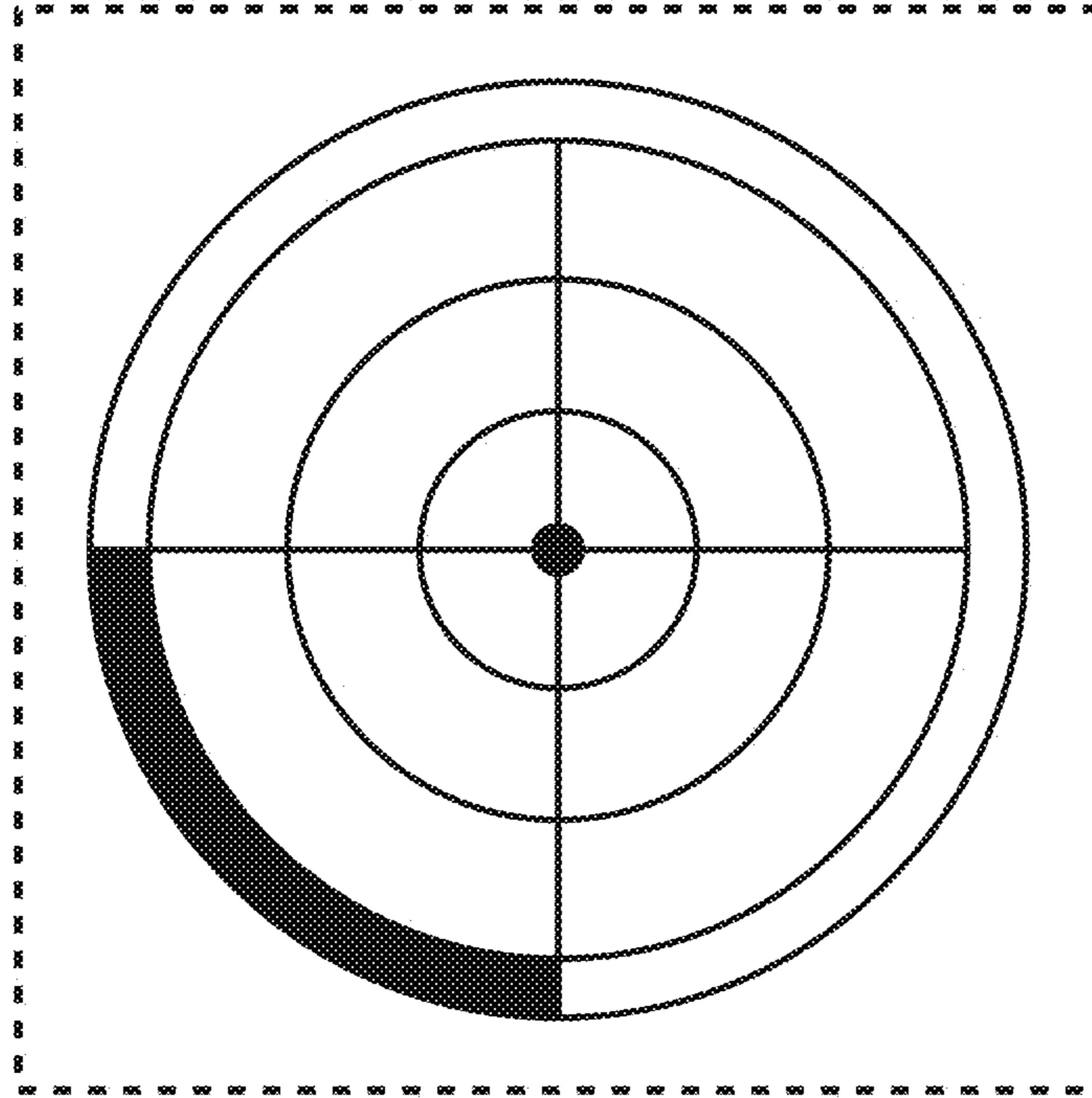


FIG. 4

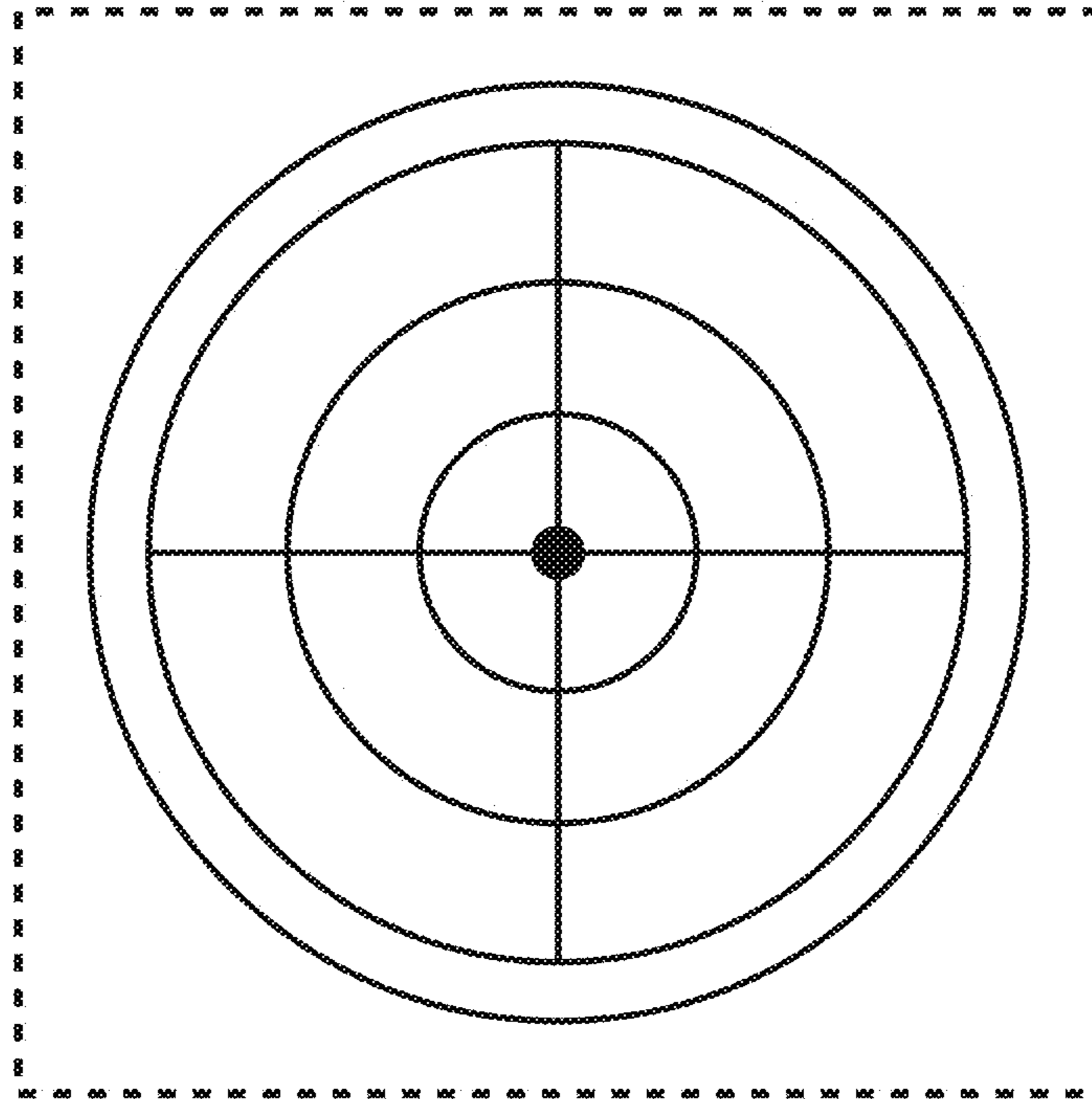


FIG. 5