



US00D921645S

(12) **United States Design Patent**
Shu

(10) **Patent No.:** **US D921,645 S**

(45) **Date of Patent:** **** Jun. 8, 2021**

(54) **ARTICULATING ARM MONITOR STAND**

FOREIGN PATENT DOCUMENTS

(71) Applicant: **Hua Shu**, Shenzen (CN)

CN 302551477 * 8/2013
CN 302931518 * 9/2014

(72) Inventor: **Hua Shu**, Shenzen (CN)

(Continued)

(**) Term: **15 Years**

OTHER PUBLICATIONS

(21) Appl. No.: **29/734,964**

Amazon. Link: https://www.amazon.com/dp/B085Y3XT5Z/ref=cm_sw_em_r_mt_dp_I.51FbXZW0GA9?_encoding=UTF8&psc=1. Mar. 16, 2020. ErGear 17"-34" Single Monitor Desk Mount Stand Kit. (Year: 2020).*

(22) Filed: **May 17, 2020**

(Continued)

(51) **LOC (13) Cl.** **14-03**

(52) **U.S. Cl.**
USPC **D14/452**

(58) **Field of Classification Search**
USPC D14/447-452, 239, 371, 372, 373, 374,
D14/125, 127, 128, 129, 335-337, 375,
D14/376, 377, 341, 126; D8/355, 363,
D8/373; D6/672, 682
CPC F16M 11/2085; F16M 11/2092; F16M
11/2007; F16M 11/2014; F16M 11/2021;
F16M 11/105; F16M 11/10; F16M
11/048; F16M 11/12; F16M 13/022
See application file for complete search history.

Primary Examiner — Lauren D McVey

(57) **CLAIM**

The ornamental design for an articulating arm monitor stand, as shown and described.

(56) **References Cited**

DESCRIPTION

U.S. PATENT DOCUMENTS

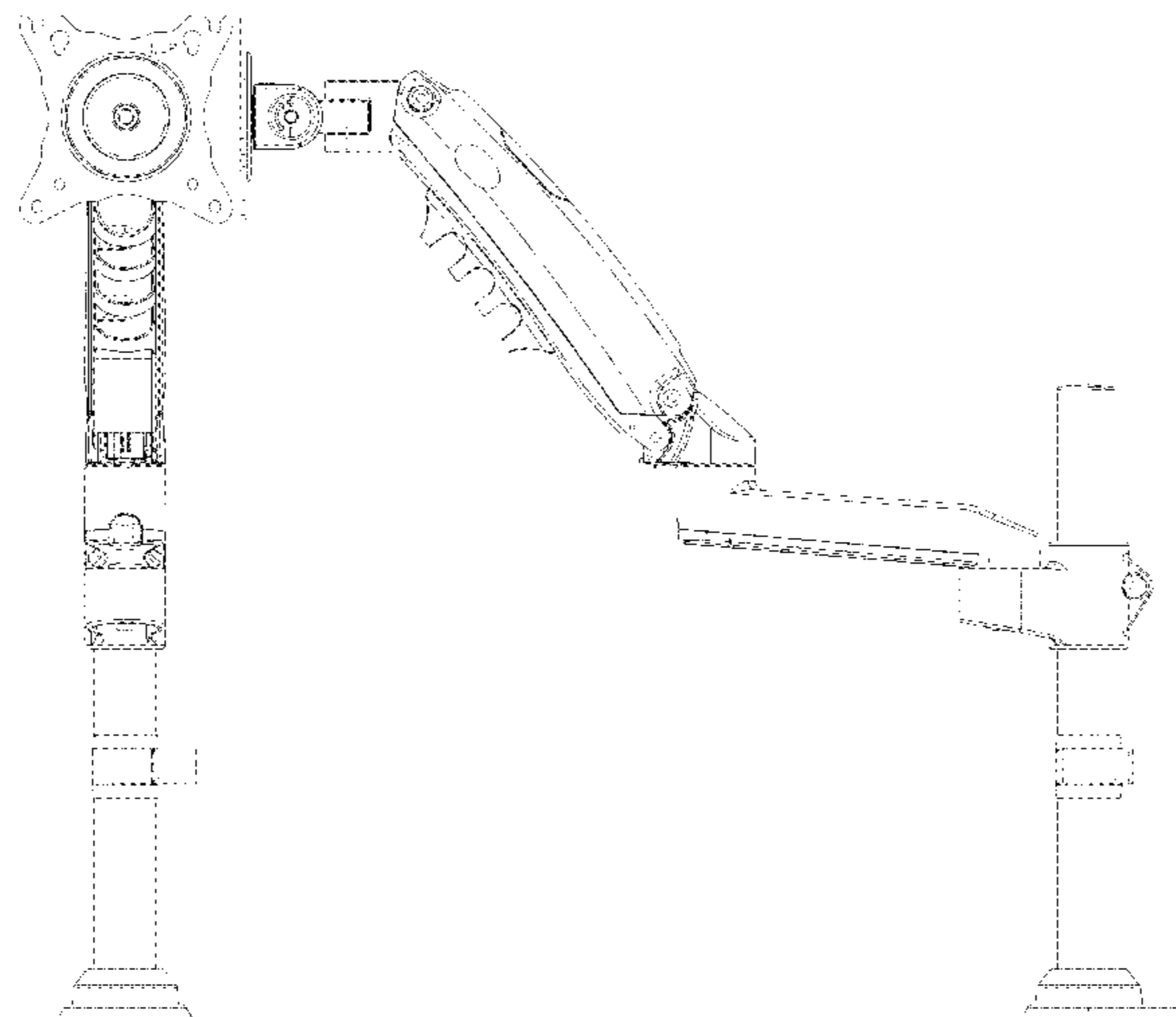
| | | | |
|-------------------|---------|--------|----------------------------|
| D606,548 S | 12/2009 | Sapper | |
| 7,694,927 B2 * | 4/2010 | Chuang | F16M 11/041 248/276.1 |
| D654,503 S | 2/2012 | Sapper | |
| D679,282 S * | 4/2013 | Liu | D14/452 |
| 9,033,292 B2 * | 5/2015 | Lu | F16M 11/2014 248/123.11 |
| 9,746,128 B2 * | 8/2017 | Huang | F16M 11/22 |
| 9,890,899 B2 * | 2/2018 | Theis | F16M 13/022 |
| 10,323,791 B1 * | 6/2019 | Liu | F16B 2/065 |
| 10,827,831 B2 * | 11/2020 | Ren | F16M 11/24 |
| 2008/0029661 A1 * | 2/2008 | Chen | F16M 11/105 248/176.1 |
| 2008/0029670 A1 * | 2/2008 | Hung | F16M 11/041 248/278.1 |
| 2008/0164395 A1 * | 7/2008 | Chang | F16M 11/105 248/276.1 |

(Continued)

FIG. 1 is a perspective view of an articulating arm monitor stand showing my new design;
FIG. 2 is another perspective view thereof;
FIG. 3 is a front elevational view thereof;
FIG. 4 is a rear elevational view thereof;
FIG. 5 is a left side elevational view thereof;
FIG. 6 is a right side elevational view thereof;
FIG. 7 is a top plan view thereof; and,
FIG. 8 is a bottom plan view thereof.

The broken lines immediately adjacent to the claim depict the bounds of the claimed design, while all other broken lines are directed to environment. The broken lines form no part of the claimed design. The wire frame lines shown throughout the views indicate surface contour.

1 Claim, 8 Drawing Sheets



(56)

References Cited

U.S. PATENT DOCUMENTS

2010/0327129 A1* 12/2010 Chen F16M 11/2092
248/121
2012/0267497 A1* 10/2012 Bowman F16M 11/2014
248/280.11
2016/0352054 A1* 12/2016 Xiang F16M 11/2007

FOREIGN PATENT DOCUMENTS

CN 304414835 * 12/2017
CN 305240877 * 7/2019
GB 6035313 * 5/2018

OTHER PUBLICATIONS

Amazon. Link: https://www.amazon.com/HUANUO-Single-Monitor-Stand-Adjustable/dp/B08FB7WFCT?ref_=ast_sto_dp. Apr. 19, 2020. HUANUO Single Monitor Stand. (Year: 2020).*

ErGear. Link: NB EGSS3-Manual-V2.0-NB-2020.07.07 (六国) (media-amazon.com).visited Dec. 14, 2020. Product brochure ErGear item D1EPMIMp3IS. (Year: 2020).*

* cited by examiner

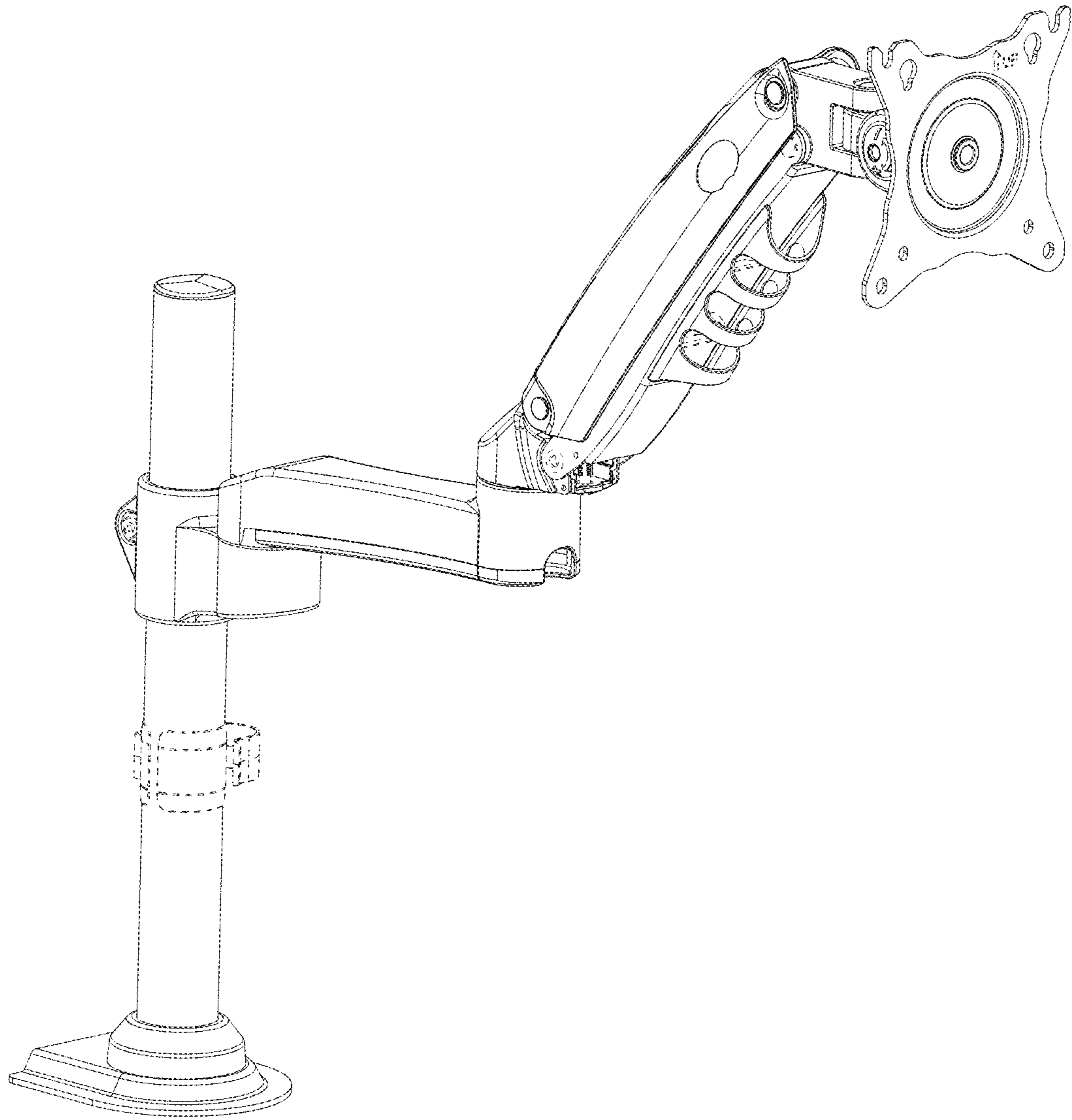


FIG. 1

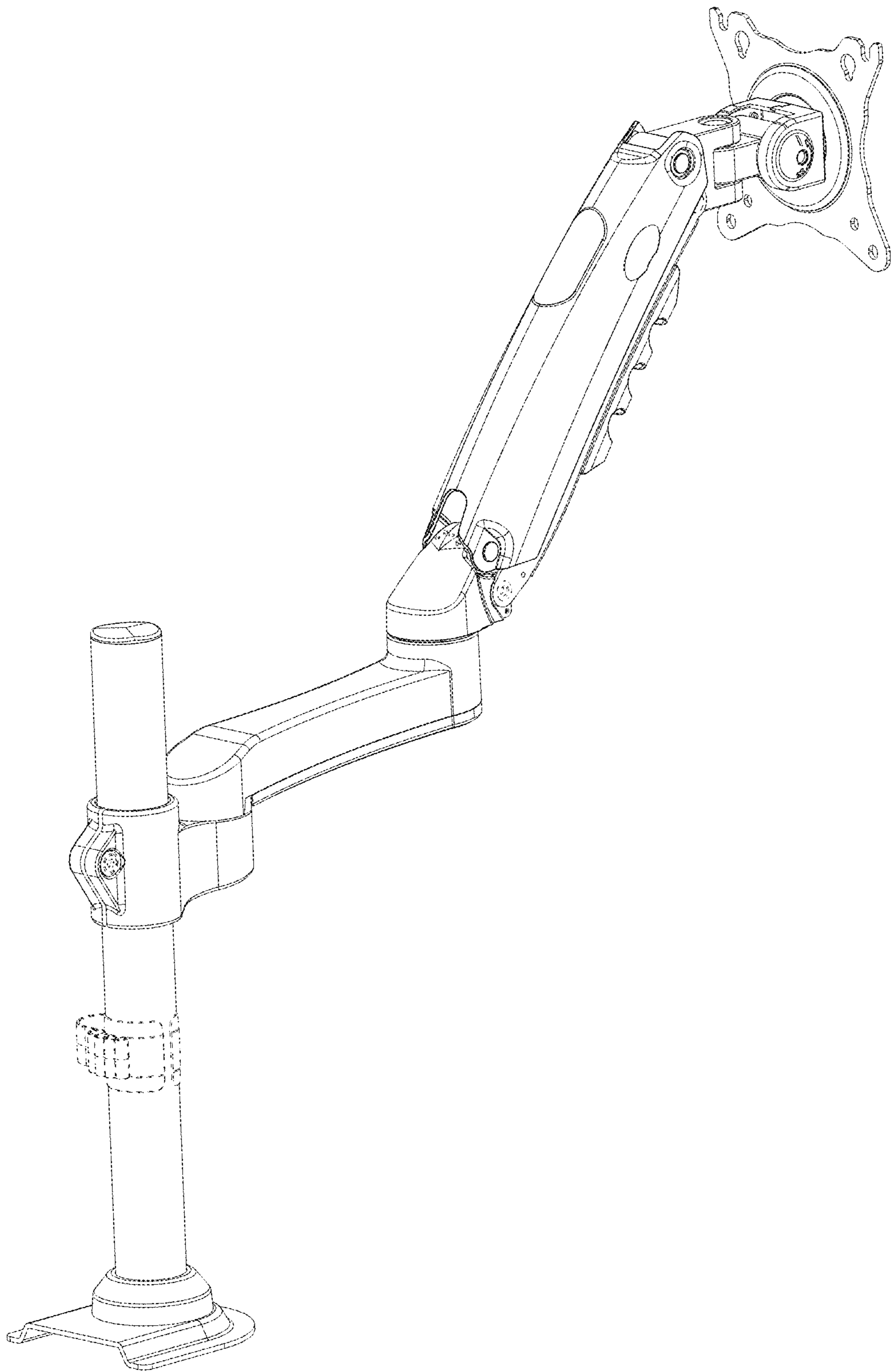


FIG. 2

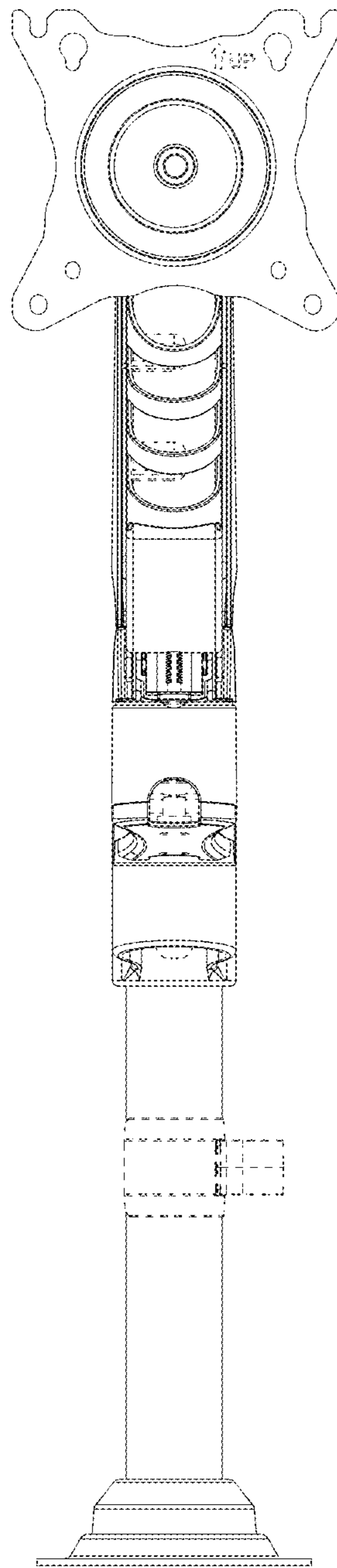


FIG. 3

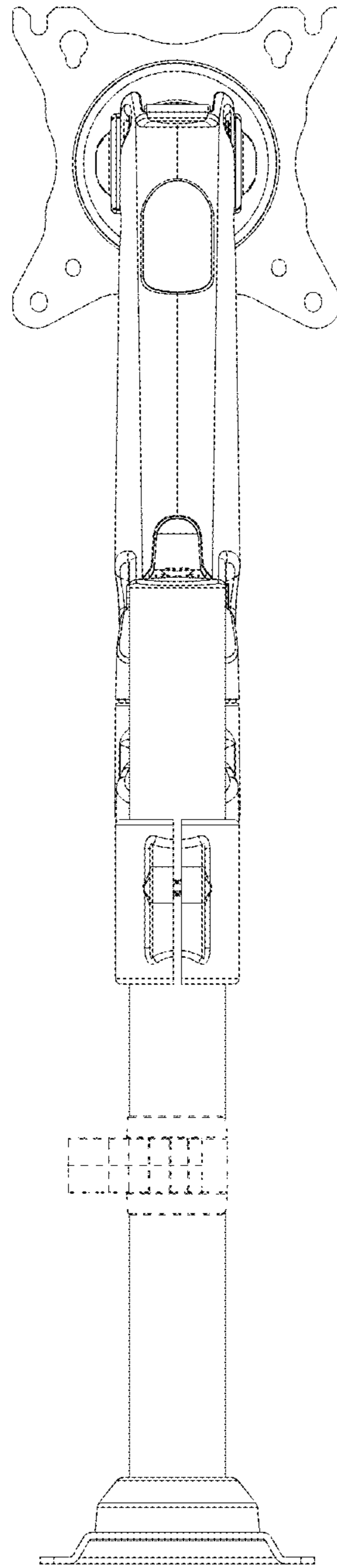


FIG. 4

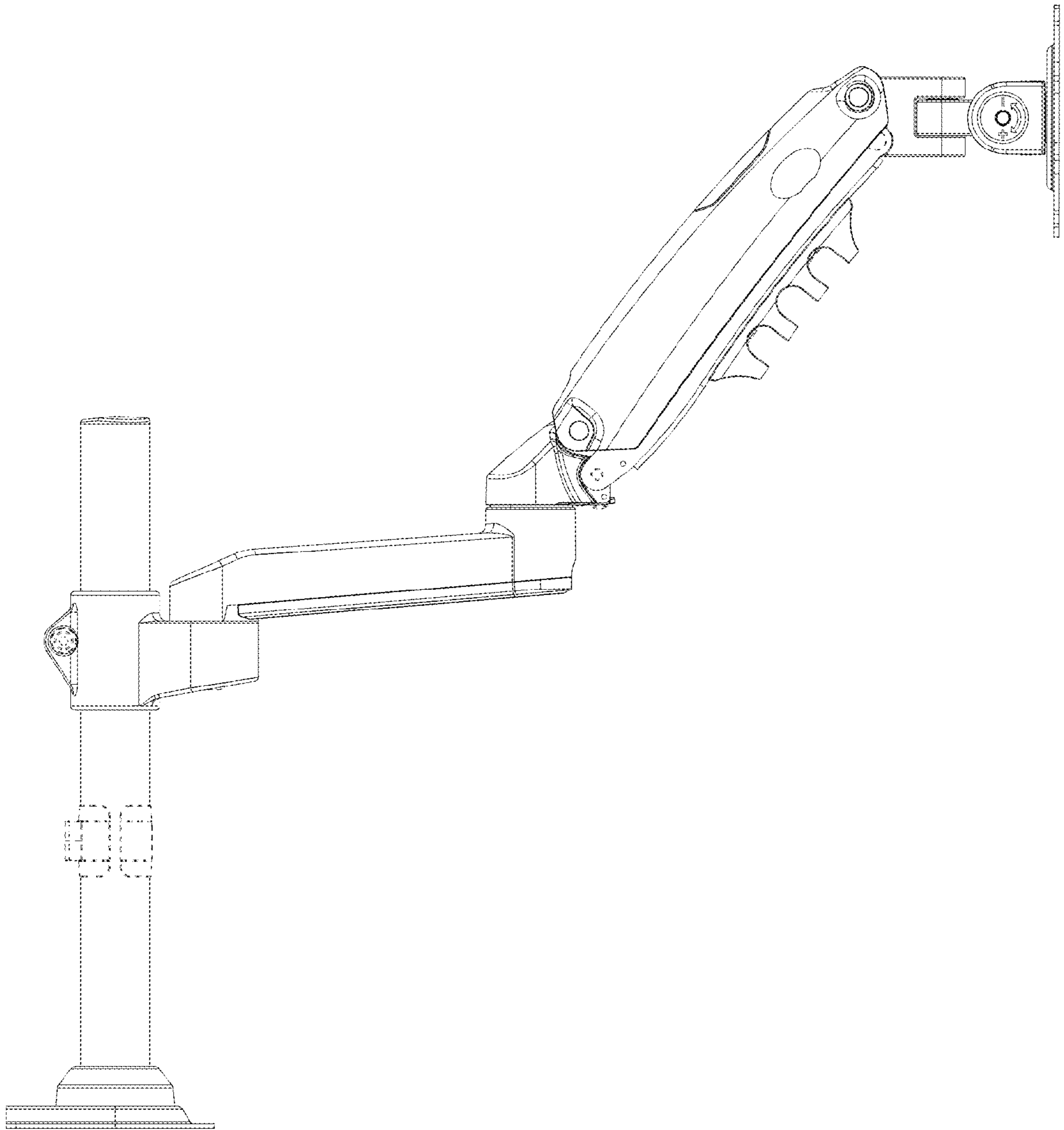


FIG. 5

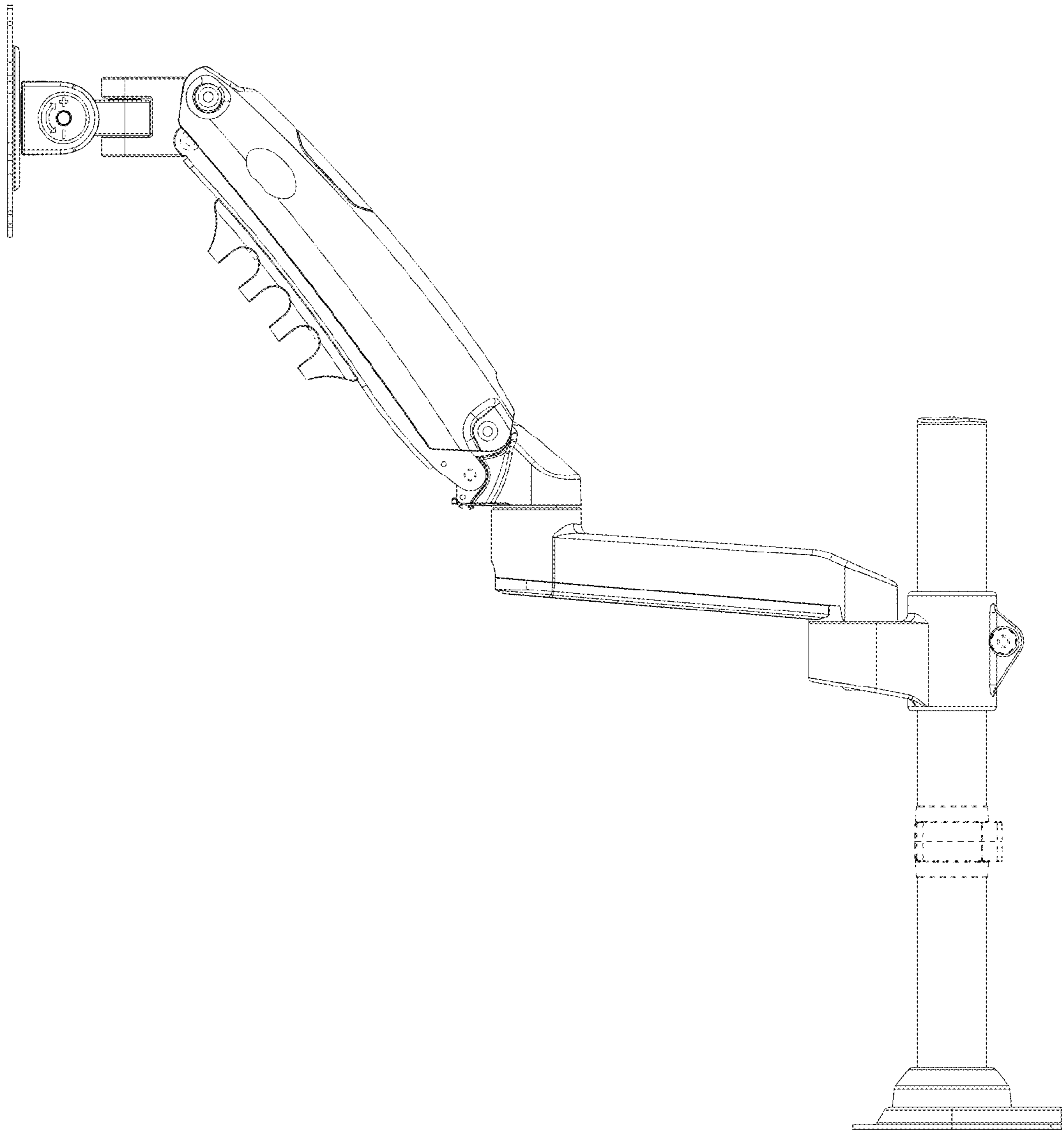


FIG. 6

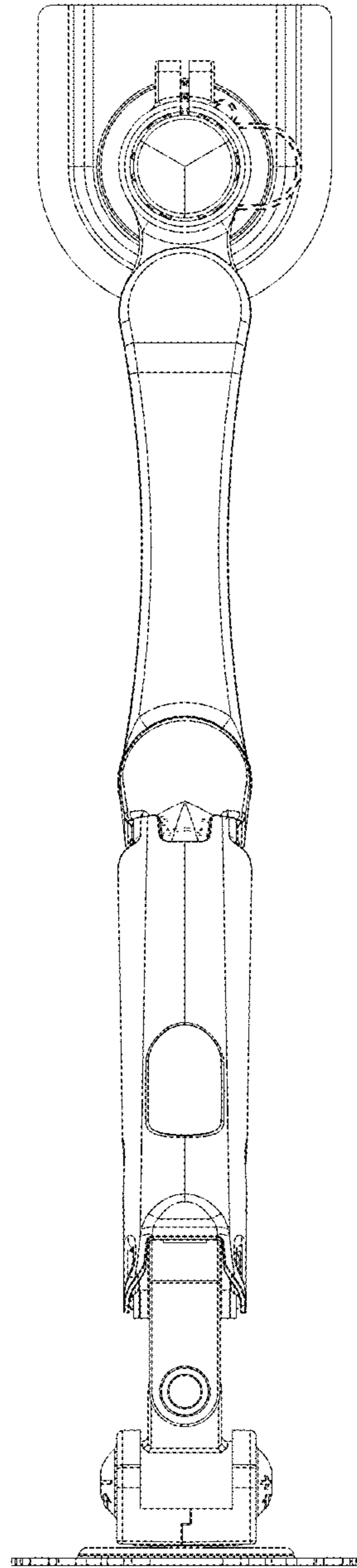


FIG. 7

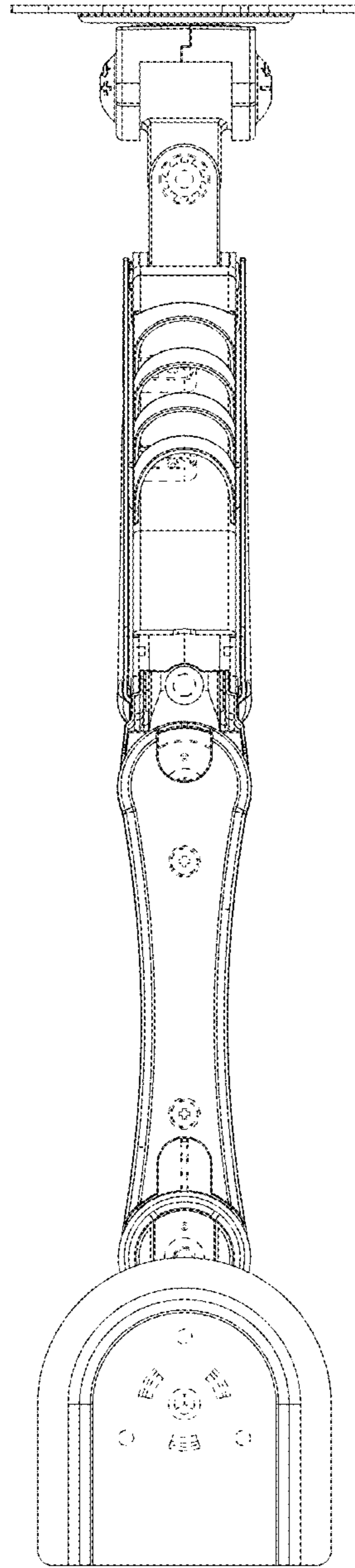


FIG. 8