



US00D921644S

(12) **United States Design Patent** (10) **Patent No.:** **US D921,644 S**  
**Chen** (45) **Date of Patent:** **\*\* Jun. 8, 2021**

(54) **CPU HOLDER**

A47B 88/044; A47B 2021/0335; H02G 3/126; F16B 47/00; F16B 47/006; A47G 1/17; A47K 2201/00

(71) Applicant: **SHENZHEN MENGXIANGYUAN FITNESS DEVELOPMENT CO., LTD.**, Shenzhen (CN)

See application file for complete search history.

(72) Inventor: **Huasheng Chen**, Shenzhen (CN)

(56) **References Cited**

(73) Assignee: **SHENZHEN MENGXIANGYUAN FITNESS DEVELOPMENT CO., LTD.**, Shenzhen (CN)

U.S. PATENT DOCUMENTS

(\*\*) Term: **15 Years**

(21) Appl. No.: **29/748,947**

D348,816	S	*	7/1994	Degen	.....	D8/73
D393,998	S	*	5/1998	Anderson	.....	D8/394
D443,493	S	*	6/2001	Skeem	.....	D8/72
D537,706	S		3/2007	Ly Hau et al.		
D549,232	S	*	8/2007	Li	.....	D14/434
D557,582	S	*	12/2007	Murray	.....	D8/73
D602,923	S		10/2009	Skull		
9,804,652	B2	*	10/2017	Volek	.....	G06F 1/1632
D827,405	S	*	9/2018	Chun	.....	D8/72
D837,225	S		1/2019	Russell et al.		
D846,154	S	*	4/2019	Coe	.....	D25/68
D854,006	S	*	7/2019	Wang	.....	D14/253
D886,094	S	*	6/2020	Xu	.....	D14/253
D896,234	S	*	9/2020	Garrity, III	.....	D14/447

(22) Filed: **Sep. 2, 2020**

(51) **LOC (13) Cl.** ..... **14-02**

(52) **U.S. Cl.**  
USPC ..... **D14/451**

(58) **Field of Classification Search**

USPC ..... D14/371-382, 125-129, 336, 337, D14/447-452, 492, 335, 376-382, 239, D14/457, 439-441, 432, 251-253; D8/349, 354, 363, 373, 376, 380; D21/333; D12/415; D3/218; 348/180, 348/184, 325, 739, 825

CPC ..... G06F 3/0412; G06F 3/016; G06F 3/0488; G06F 3/011; G06F 3/038; G06F 3/03543; G06F 3/0338; G06F 3/0202; G06F 3/0219; G06F 3/0213; G06F 1/1616; G06F 3/023; G06F 3/04883; G02F 1/13338; G02F 1/1313; G02F 1/1333; G02F 1/135; G02F 1/132; G02F 1/133308; G02F 1/134309; G02F 1/13718; G09G 3/3648; G06K 15/1252; B41J 2/465; G03F 7/70291; G02B 27/0172; G02B 5/30; G02B 2027/1118; G02B 27/0101; F16M 13/02; F16M 13/00; F16M 11/10; F16M 11/04; F16M 2200/08; F16M 11/2021; A47B 21/0314;

(Continued)

*Primary Examiner* — Katie Jane Stofko

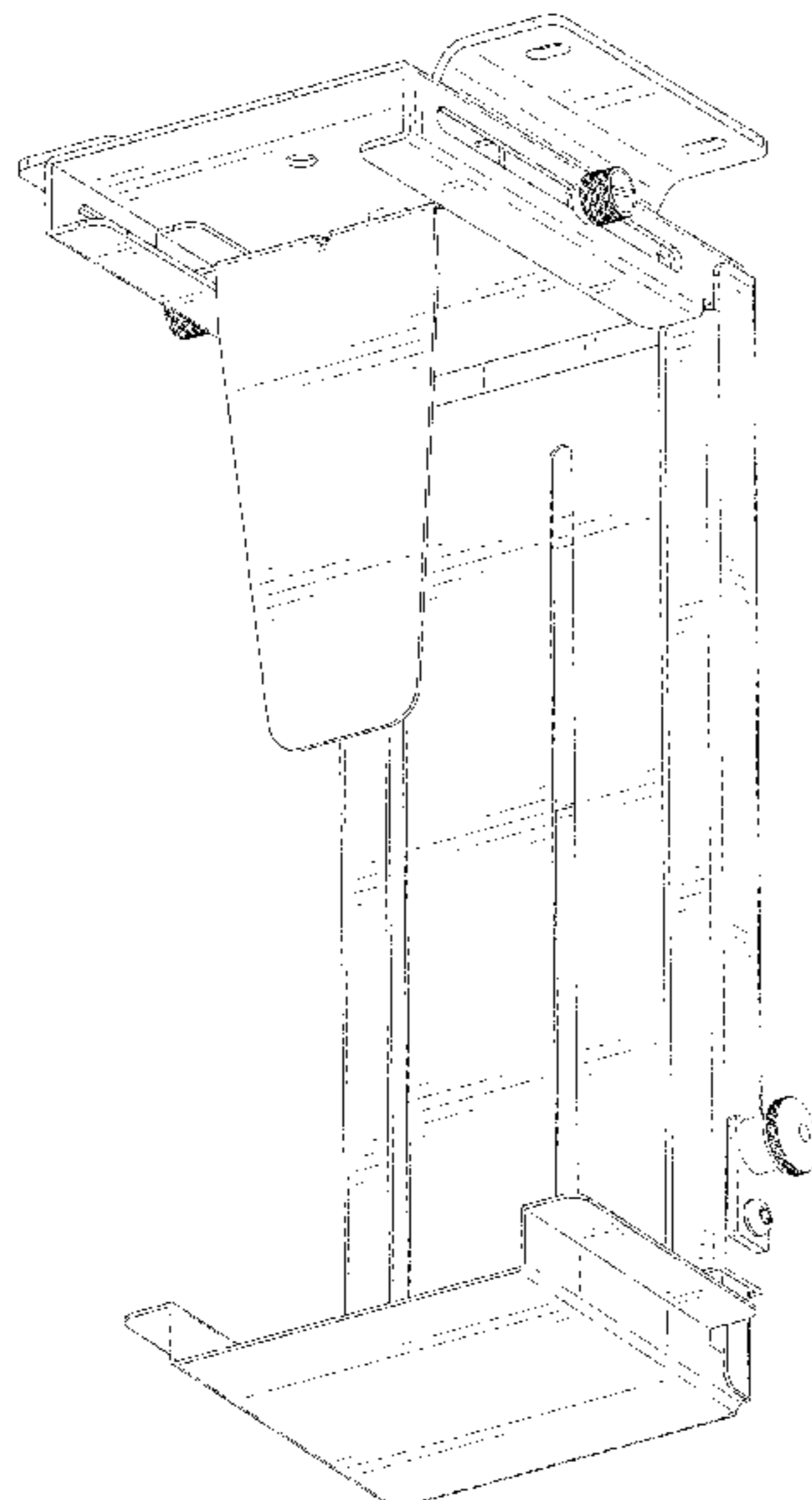
(57) **CLAIM**

The ornamental design for a CPU holder, as shown and described.

**DESCRIPTION**

FIG. 1 is a perspective view of a CPU holder showing my new design;  
FIG. 2 is another perspective view thereof;  
FIG. 3 is a front elevational view thereof;  
FIG. 4 is a rear elevational view thereof;  
FIG. 5 is a left side elevational view thereof;  
FIG. 6 is a right side elevational view thereof;  
FIG. 7 is a top plan view thereof; and,  
FIG. 8 is a bottom plan view thereof.  
The broken lines in the drawings depict portions of the CPU holder that form no part of the claimed design.

**1 Claim, 8 Drawing Sheets**



(56)

**References Cited**

U.S. PATENT DOCUMENTS

D903,653 S \* 12/2020 Liu ..... D14/253  
D909,362 S \* 2/2021 Cheng ..... D14/253

\* cited by examiner

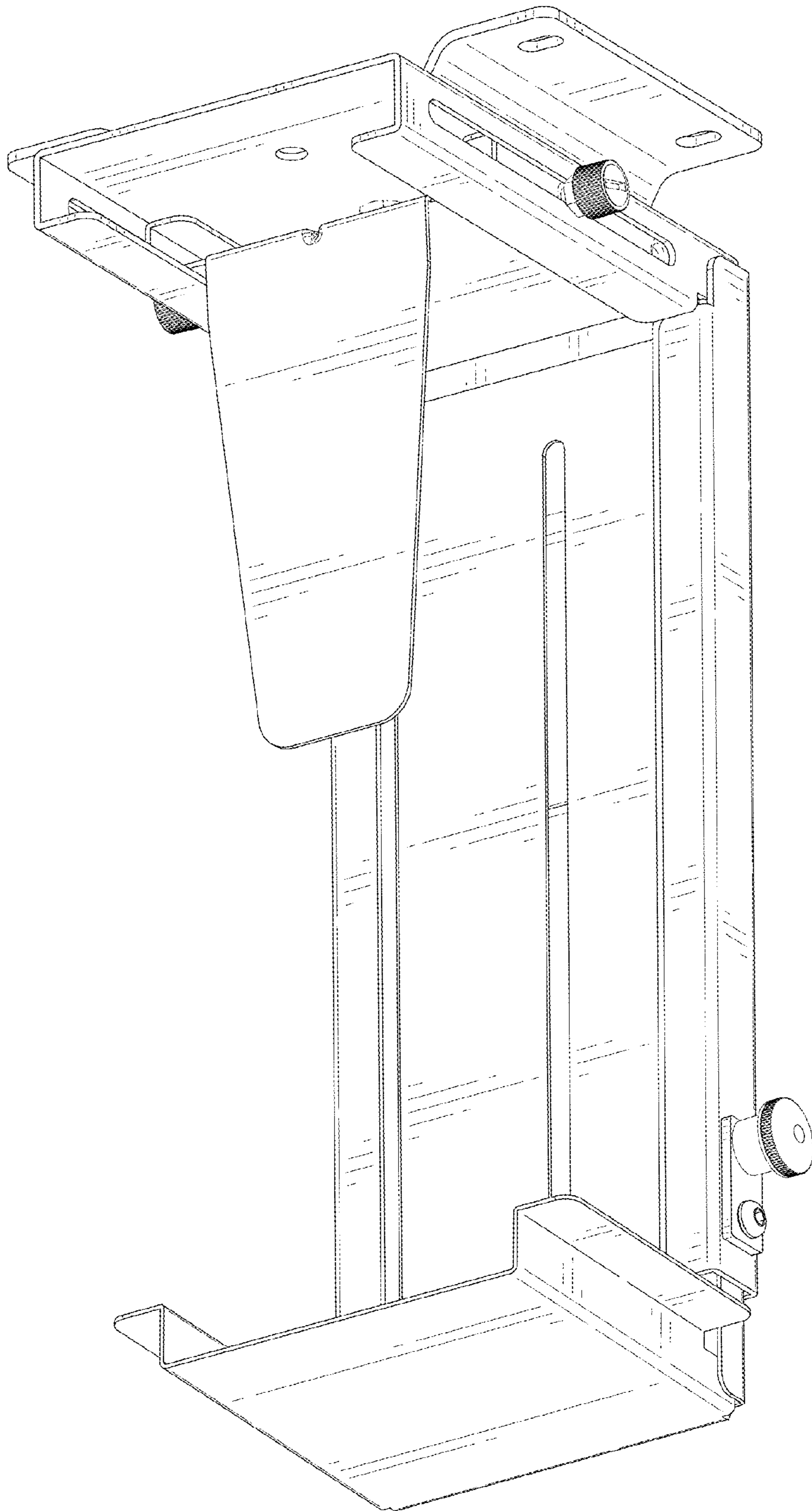


FIG. 1

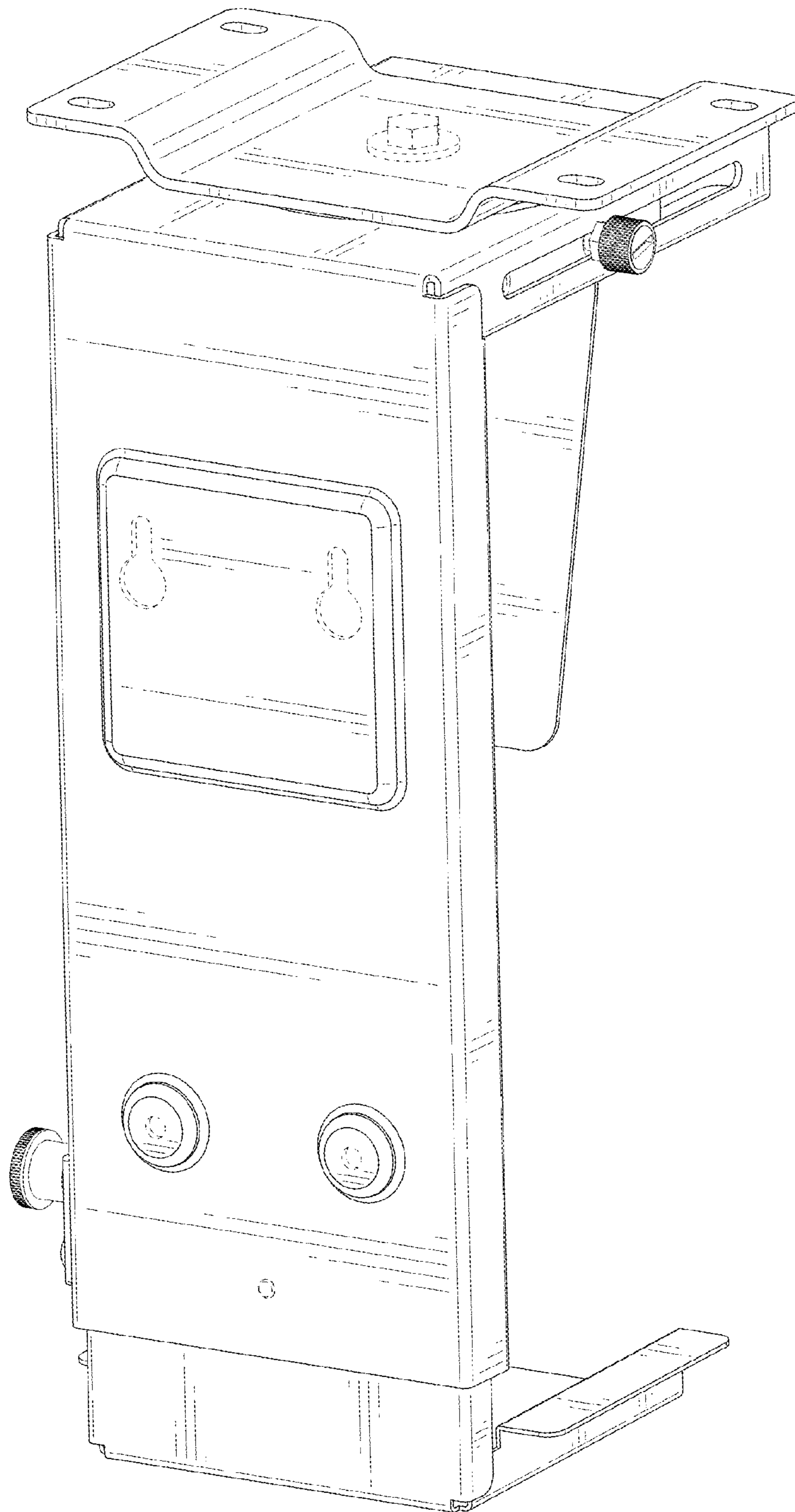


FIG. 2

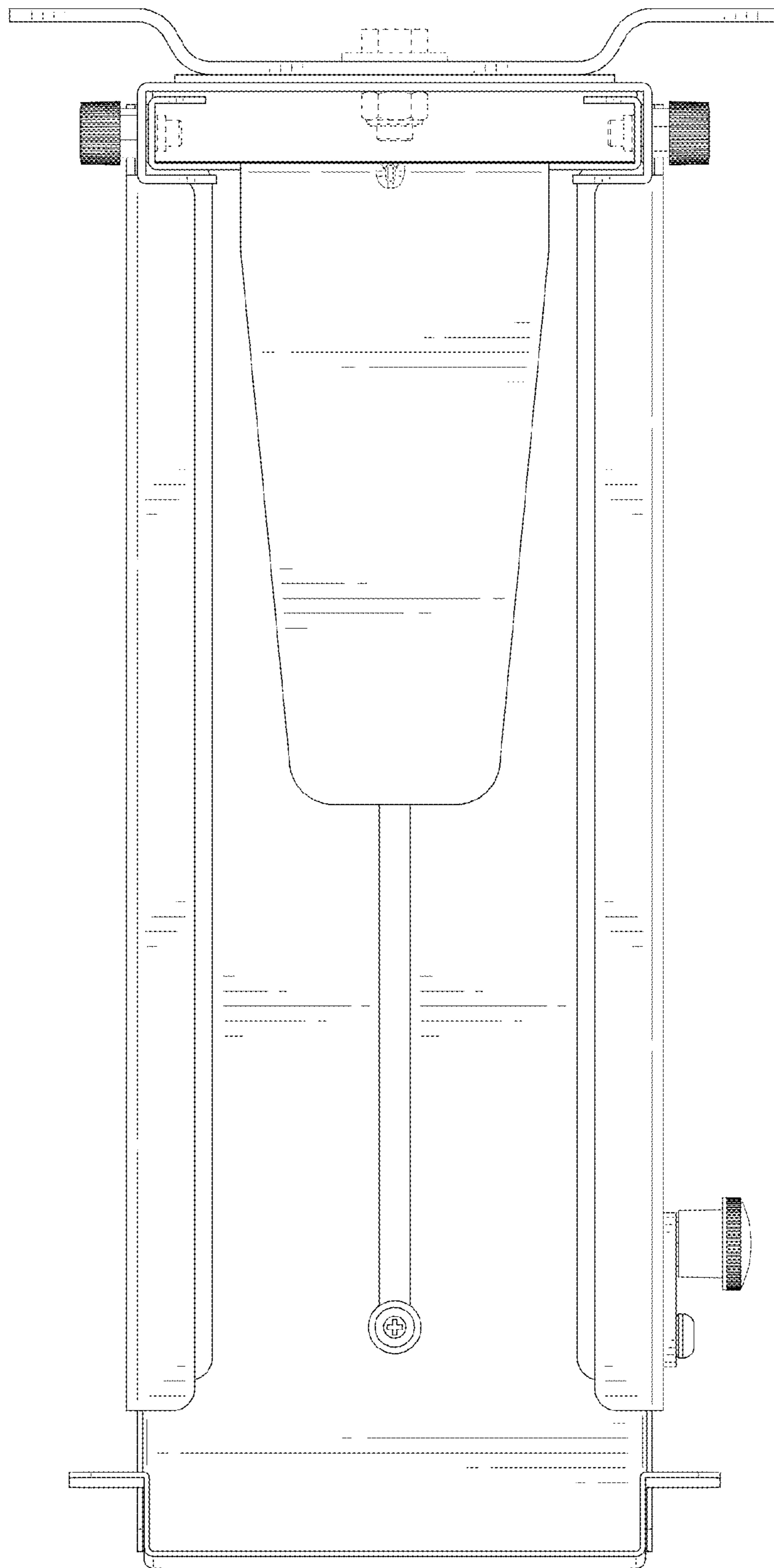


FIG. 3

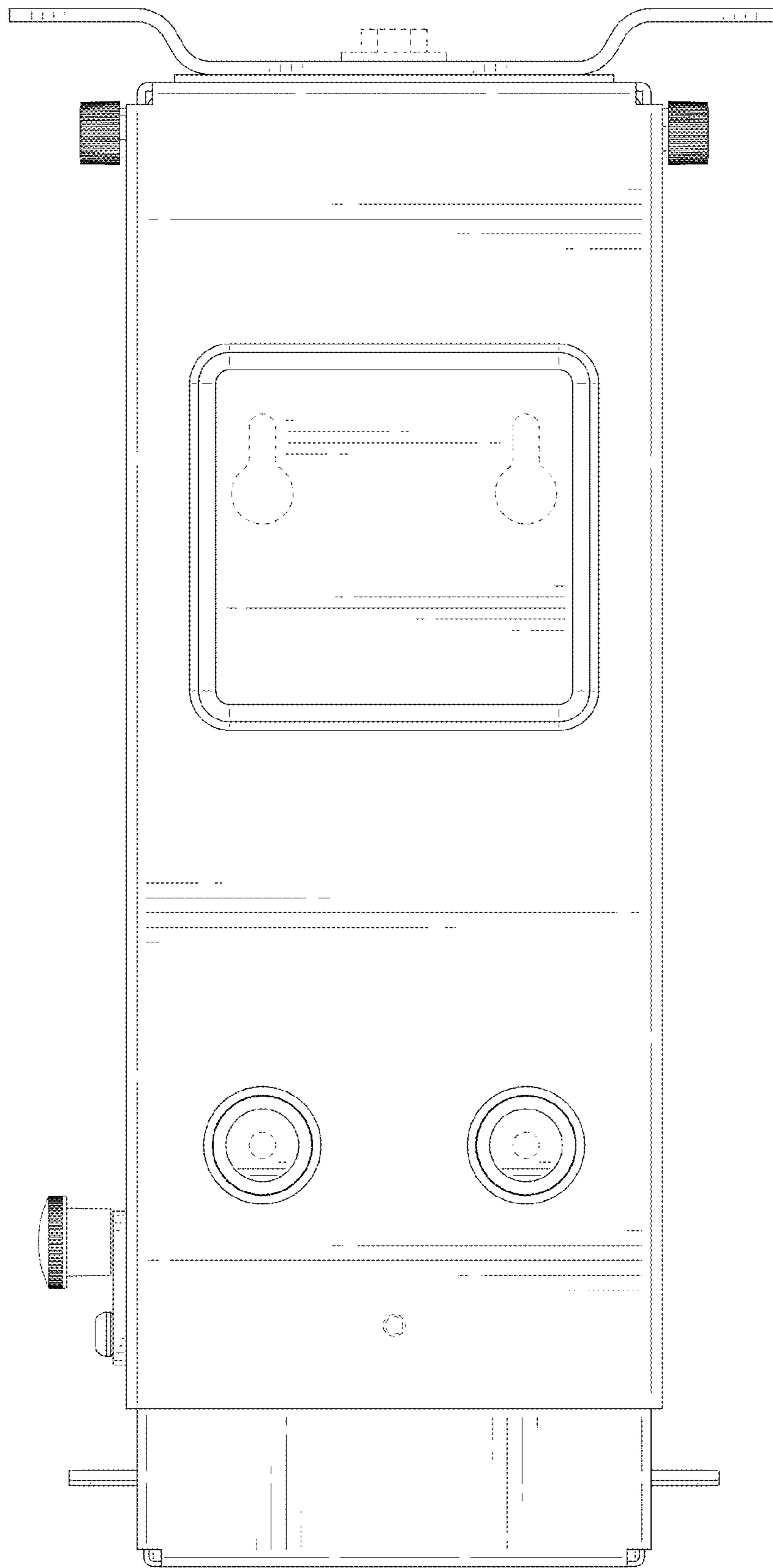


FIG. 4

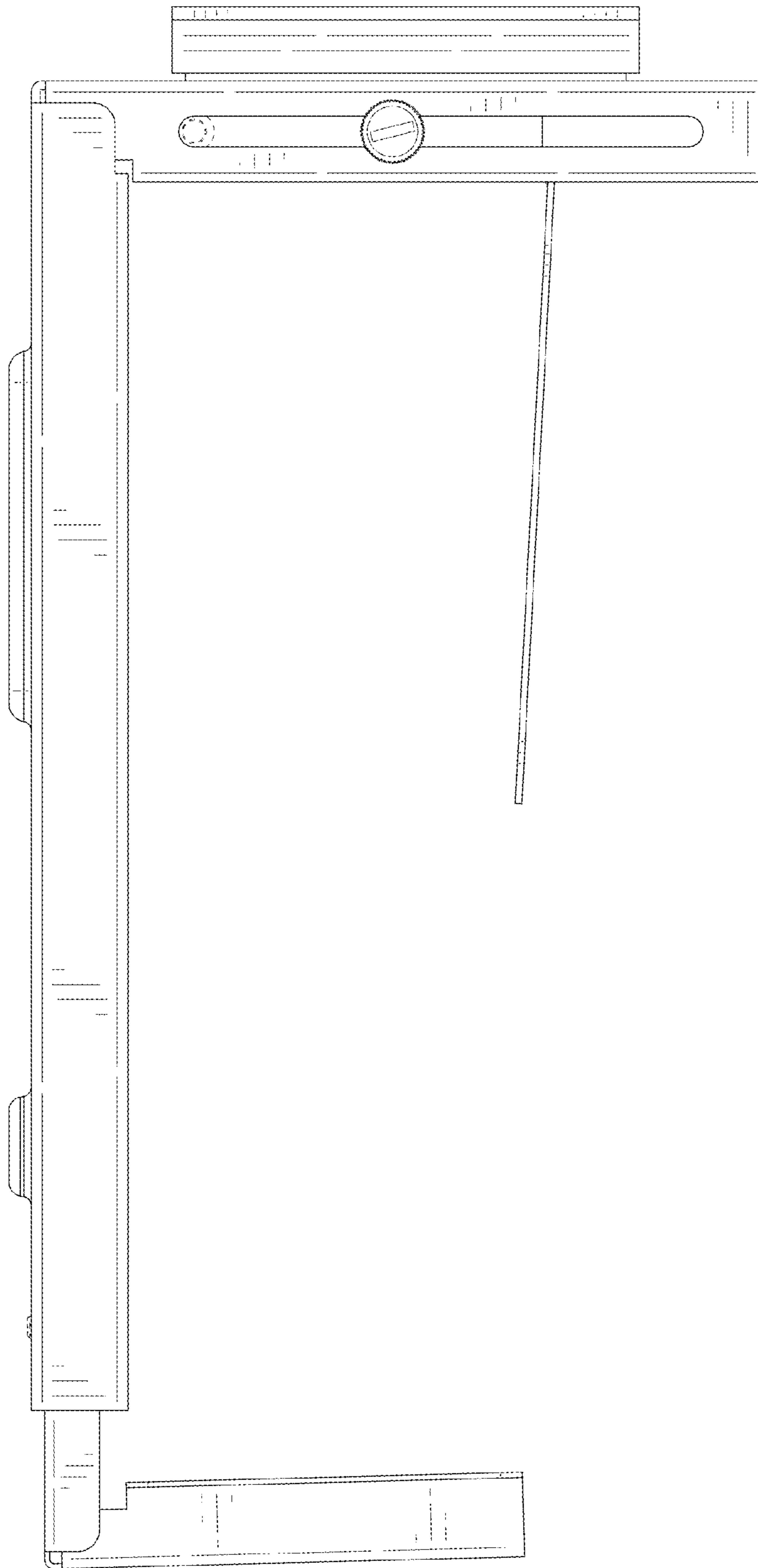


FIG. 5

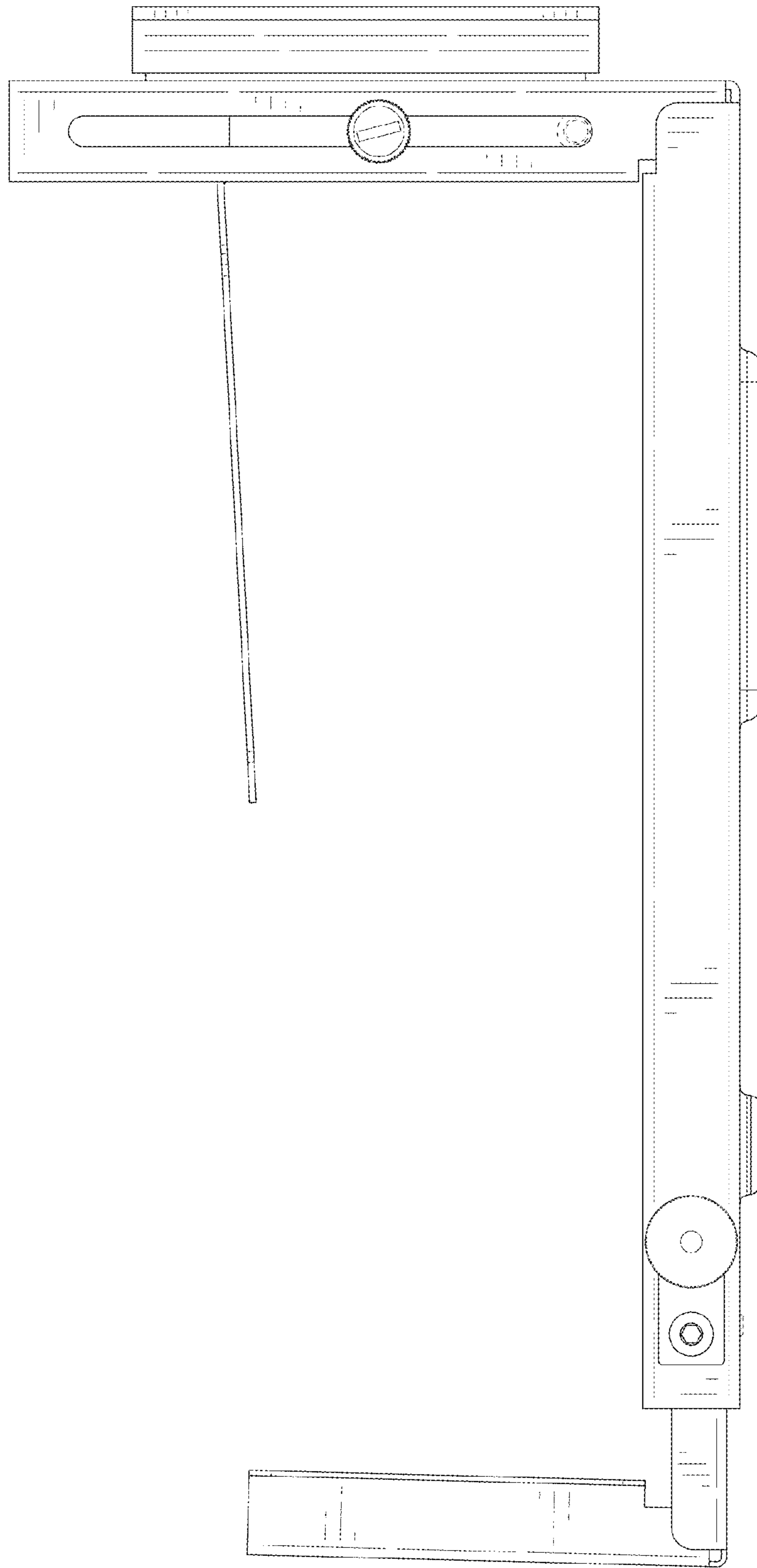


FIG. 6



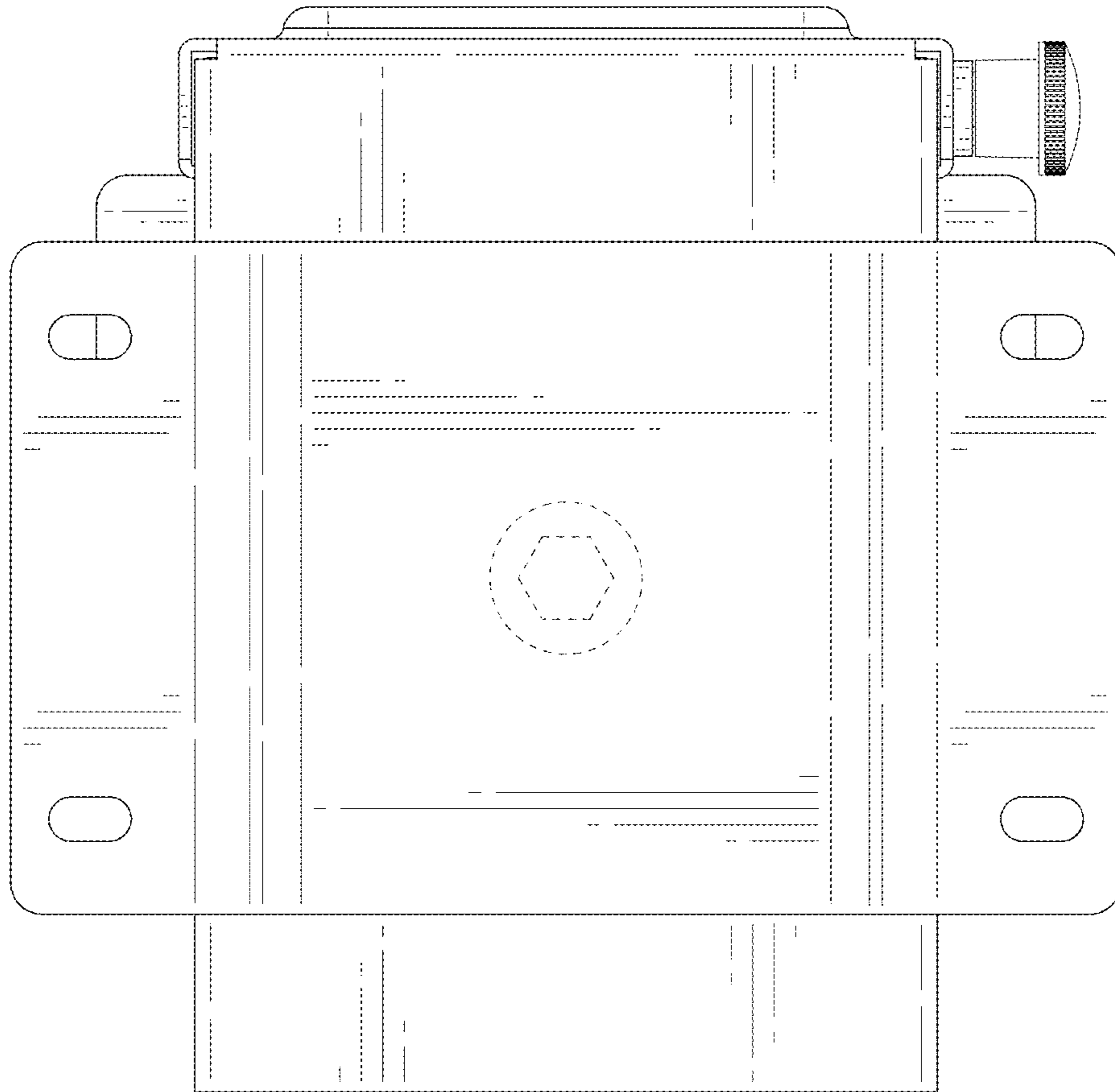


FIG. 7

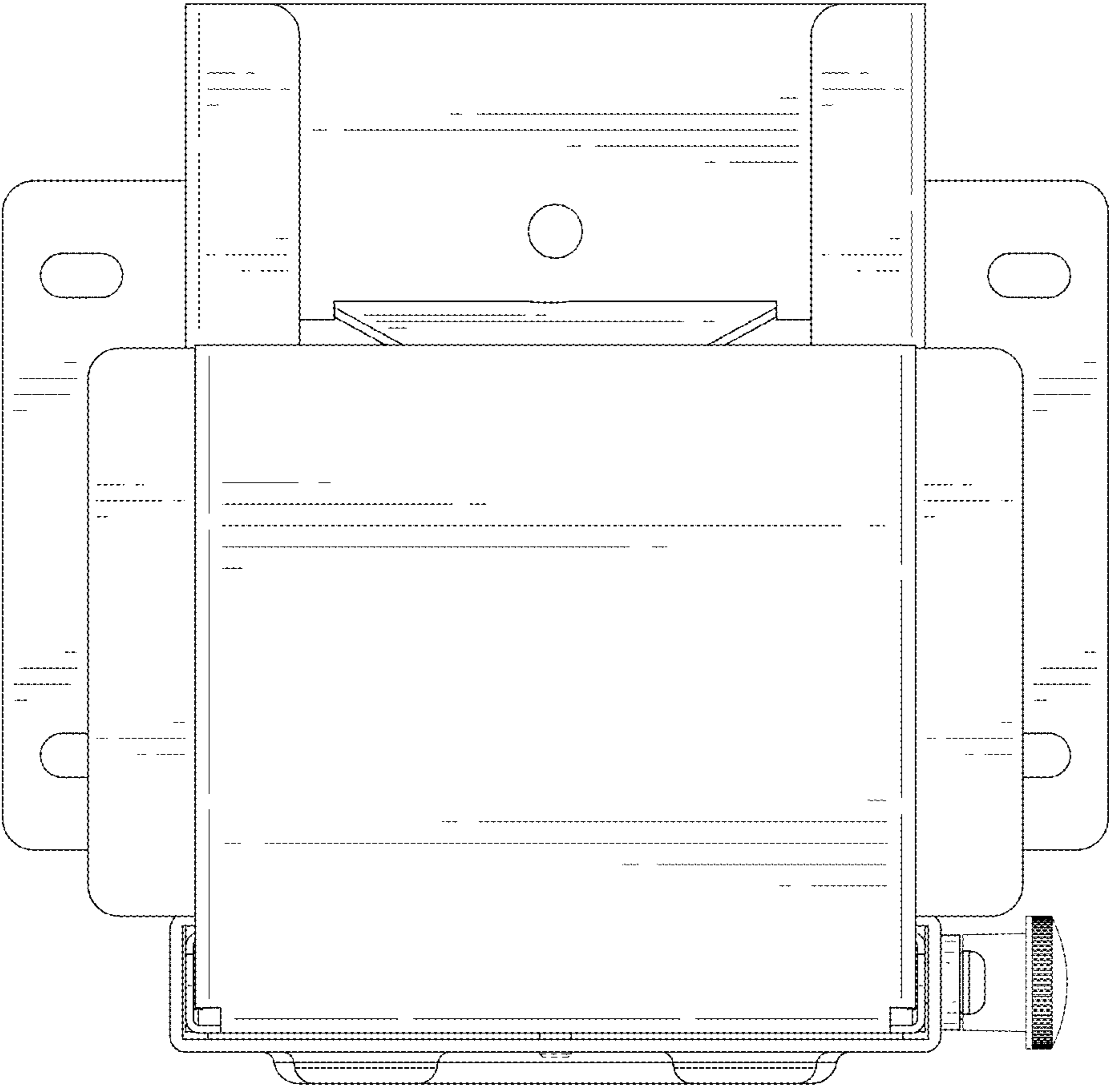


FIG. 8