



US00D921643S

(12) **United States Design Patent**
Jin

(10) **Patent No.:** **US D921,643 S**
(45) **Date of Patent:** **** Jun. 8, 2021**

- (54) **LAPTOP STAND**
- (71) Applicant: **HAVEN FURNITURE CO., LIMITED**, Hong Kong (CN)
- (72) Inventor: **Wenwu Jin**, Hong Kong (CN)
- (73) Assignee: **HAVEN FURNITURE CO., LIMITED**, Hong Kong (CN)
- (**) Term: **15 Years**

D468,542 S	1/2003	Hennekes et al.	
D483,771 S	12/2003	Esswein	
D578,130 S	10/2008	Sween	
D589,964 S *	4/2009	Heggland	D14/434
D624,922 S *	10/2010	Hui	D14/447
D635,797 S *	4/2011	Xingyin	D6/656.11
D752,908 S *	4/2016	McGrath	D6/699.5
D769,247 S *	10/2016	Heyen	D14/447
D864,619 S *	10/2019	Hu	D6/655
D878,815 S *	3/2020	Peng	D6/656
D907,644 S *	1/2021	Li	D14/447
2018/0008037 A1 *	1/2018	Laudadio	A47B 9/16
2020/0375351 A1 *	12/2020	Xiang	A47B 3/02

- (21) Appl. No.: **29/748,347**
- (22) Filed: **Aug. 28, 2020**
- (51) **LOC (13) Cl.** **08-07**
- (52) **U.S. Cl.**
USPC **D14/447**
- (58) **Field of Classification Search**
USPC D14/447, 432, 434, 439, 440, 451, 452,
D14/457, 239, 253; D8/363, 373, 380;
D6/406.3, 406.4, 406.5, 406.6; D12/415
CPC A47B 21/04; A47B 2097/006; A47B
2097/005; A47B 2023/049; A45C
2011/002; A45C 2011/003; F16M
2200/00; F16M 13/00
See application file for complete search history.

* cited by examiner

Primary Examiner — Angela J Lee

(57) **CLAIM**

The ornamental design for a laptop stand, as shown and described.

DESCRIPTION

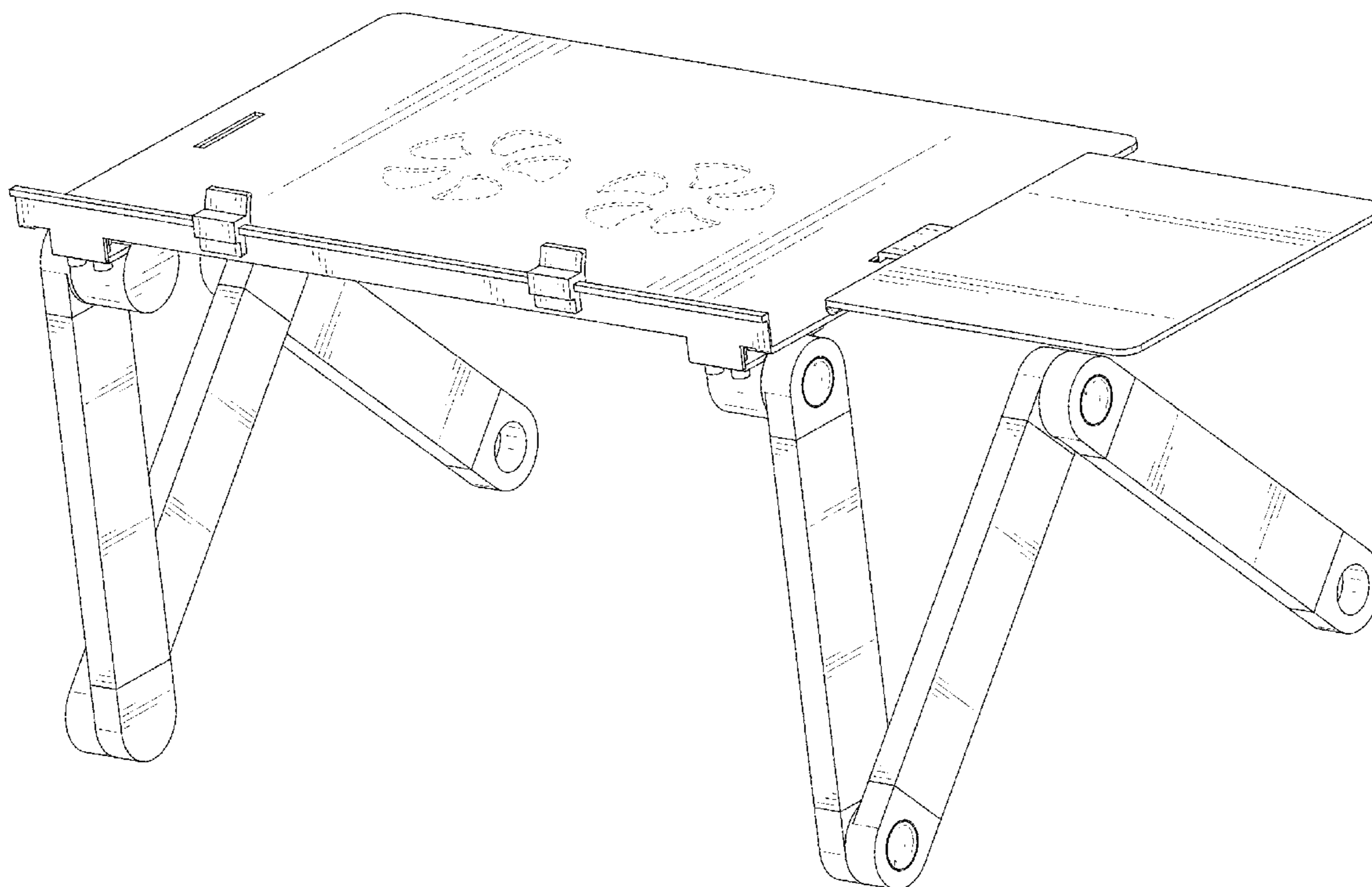
FIG. 1 is a perspective view of a laptop stand showing my new design;
 FIG. 2 is another perspective view thereof;
 FIG. 3 is another perspective view thereof;
 FIG. 4 is a front elevational view thereof;
 FIG. 5 is a rear elevational view thereof;
 FIG. 6 is a left side elevational view thereof;
 FIG. 7 is a right side elevational view thereof;
 FIG. 8 is a top plan view thereof; and,
 FIG. 9 is a bottom plan view thereof.
 The broken lines in the drawings depict portions of the laptop stand that form no part of the claimed design.

(56) **References Cited**

U.S. PATENT DOCUMENTS

4,726,556 A *	2/1988	Weir	A47B 27/18 248/454
D398,458 S *	9/1998	Martell	D6/656.11
D410,910 S *	6/1999	Martell	D14/457

1 Claim, 9 Drawing Sheets



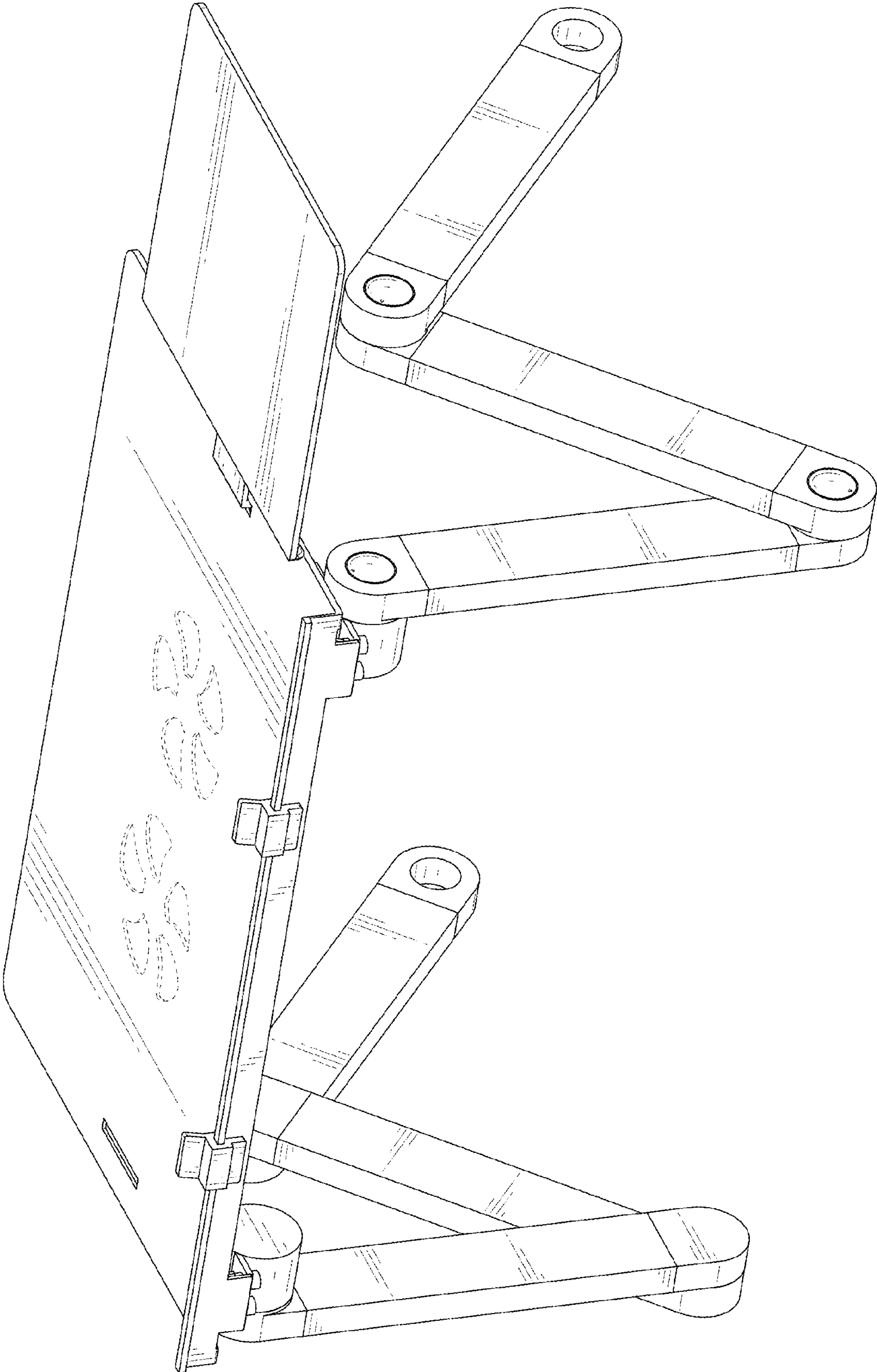


FIG. 1

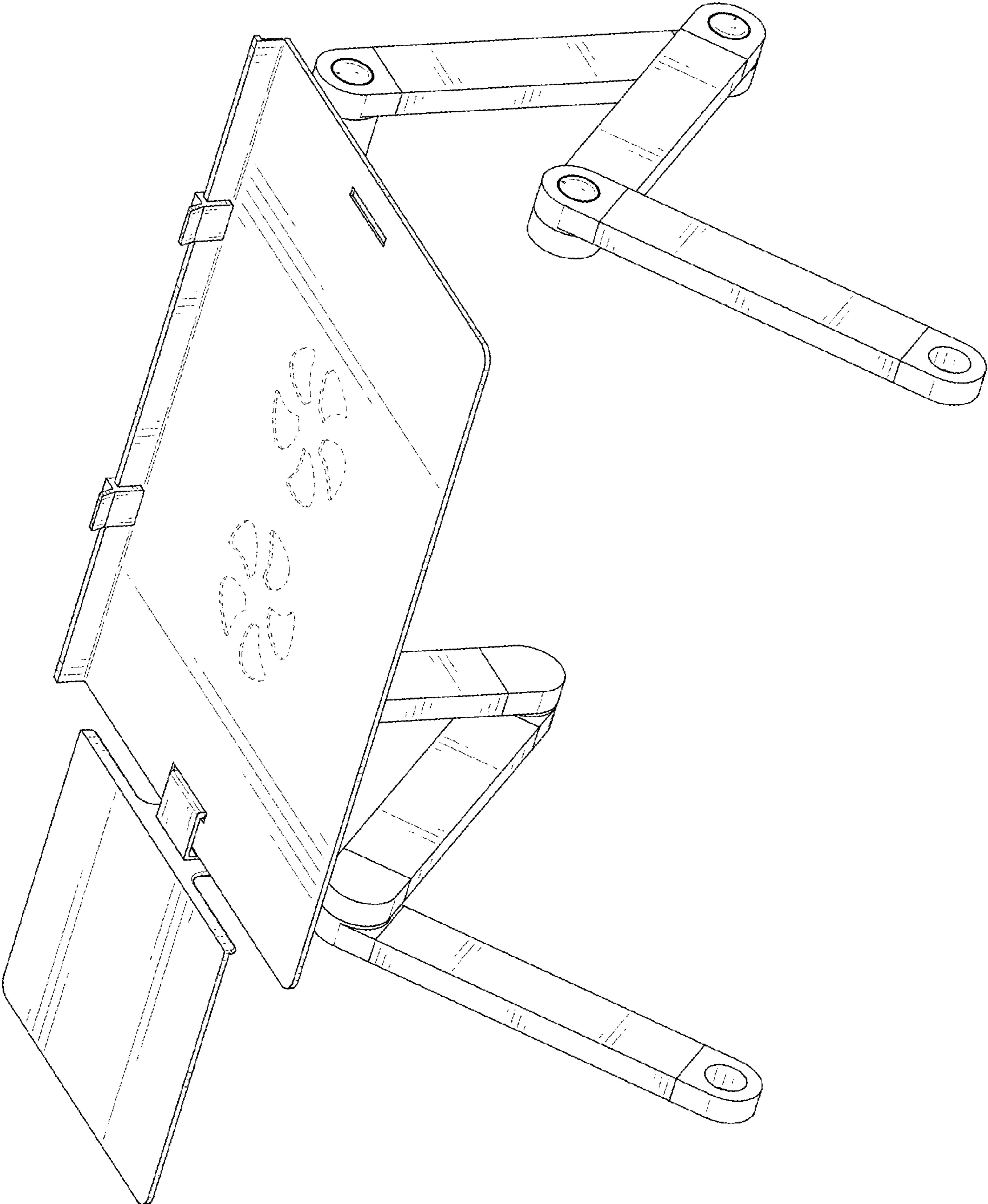


FIG. 2

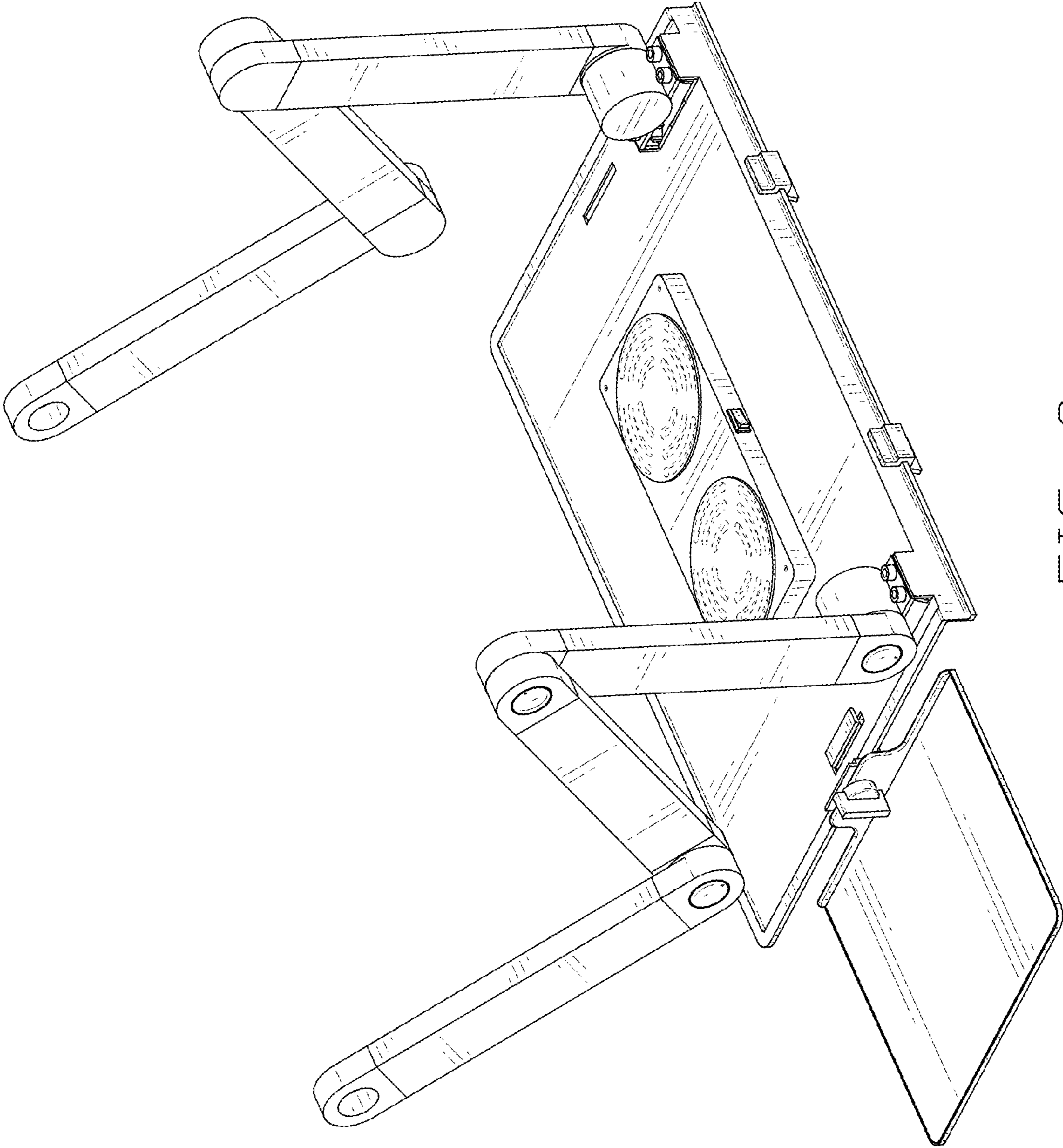


FIG. 3

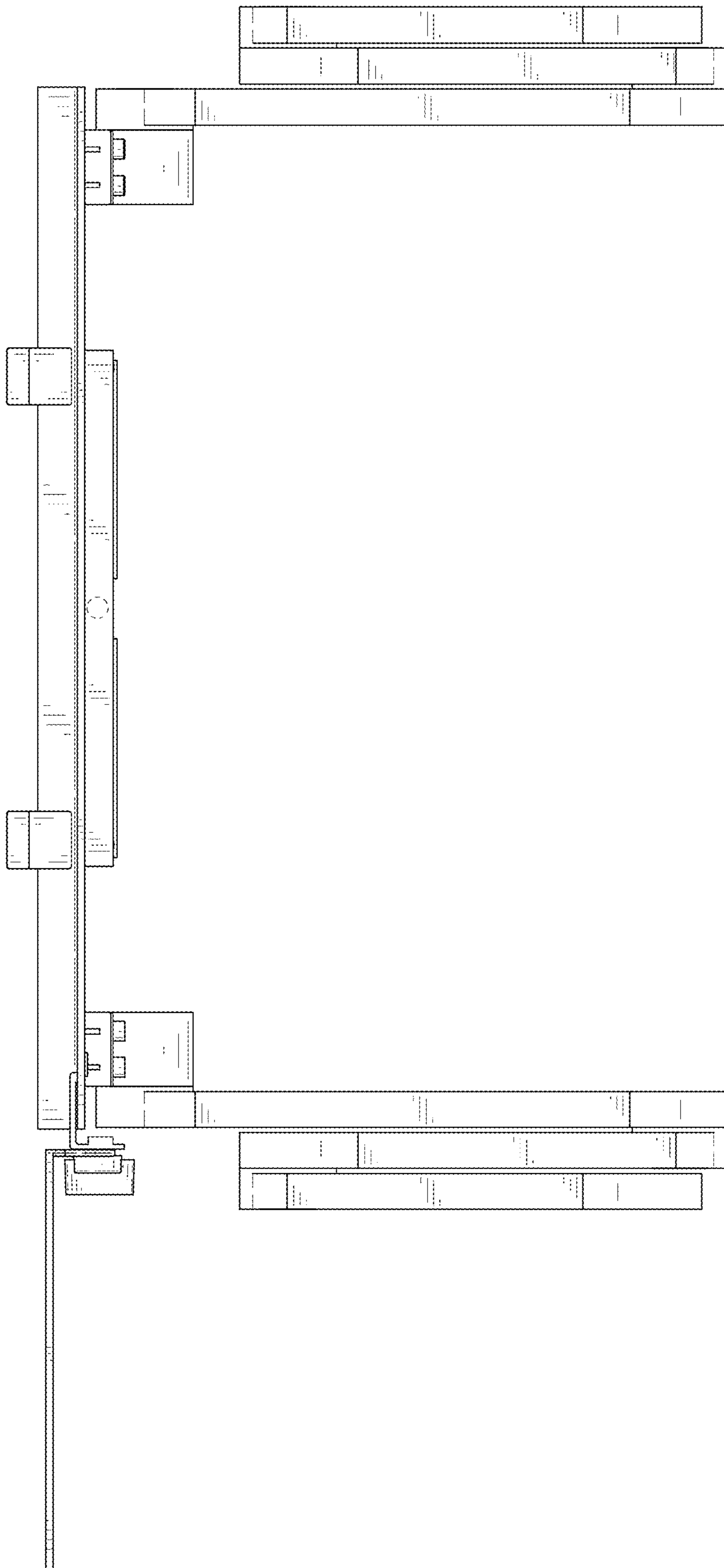


FIG. 4

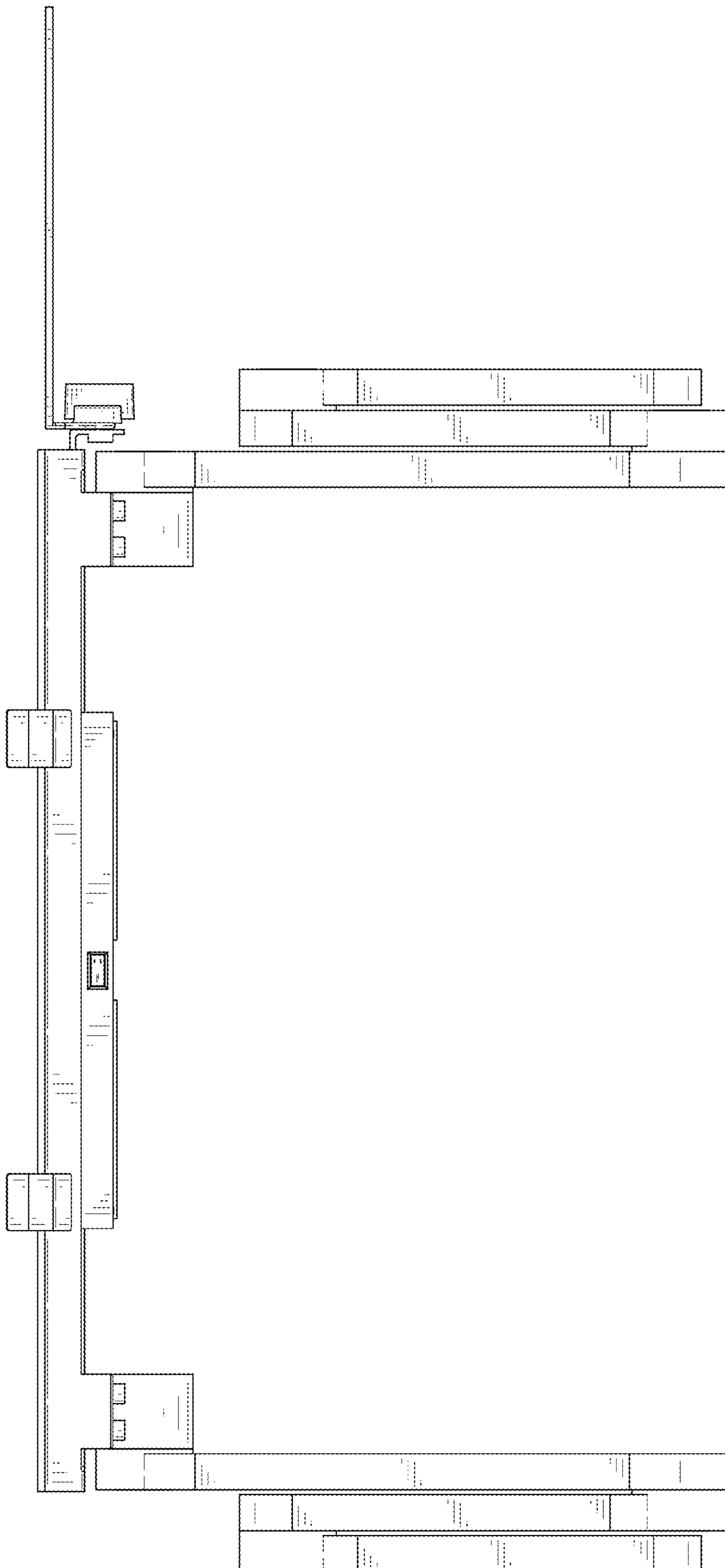


FIG. 5

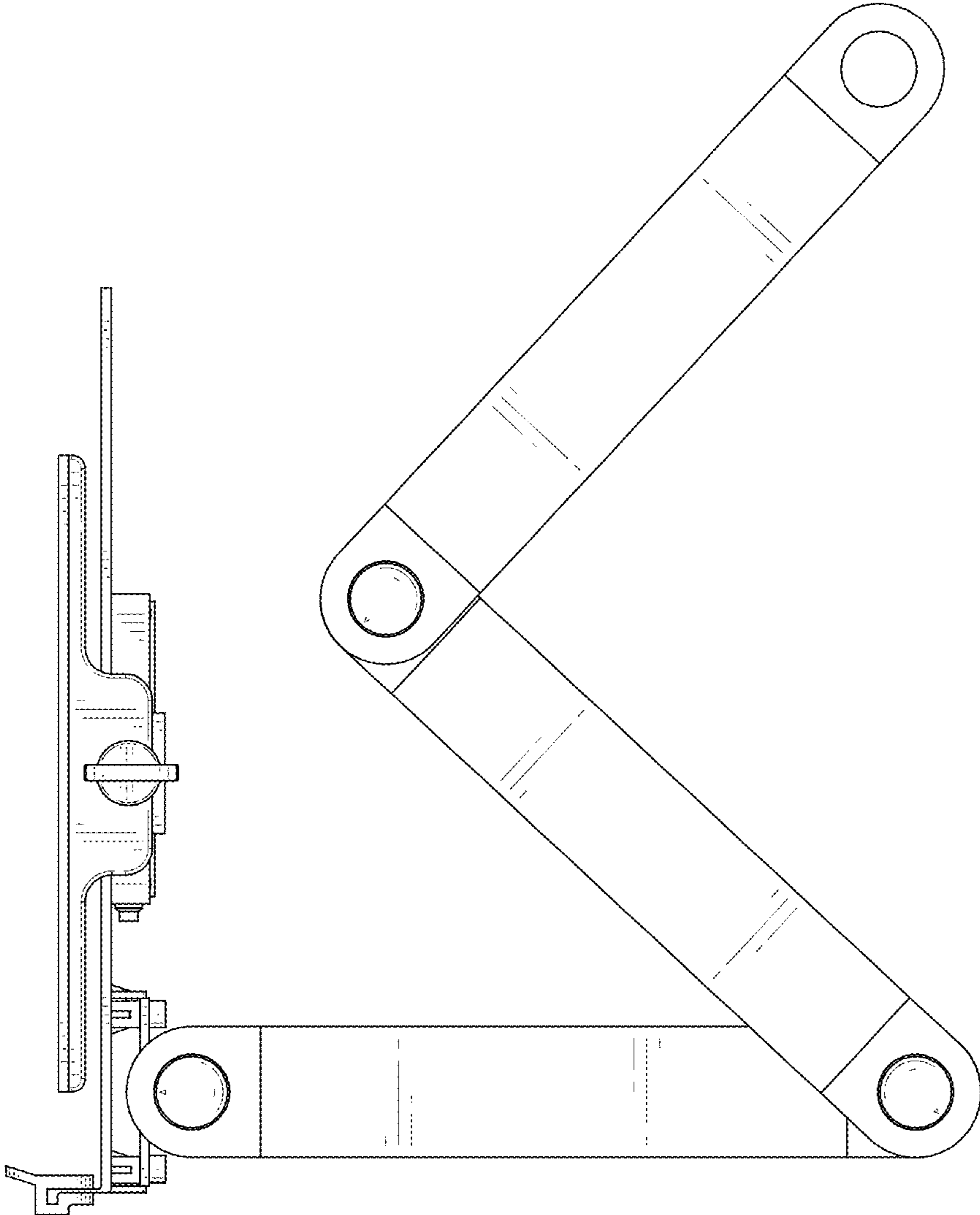


FIG. 6

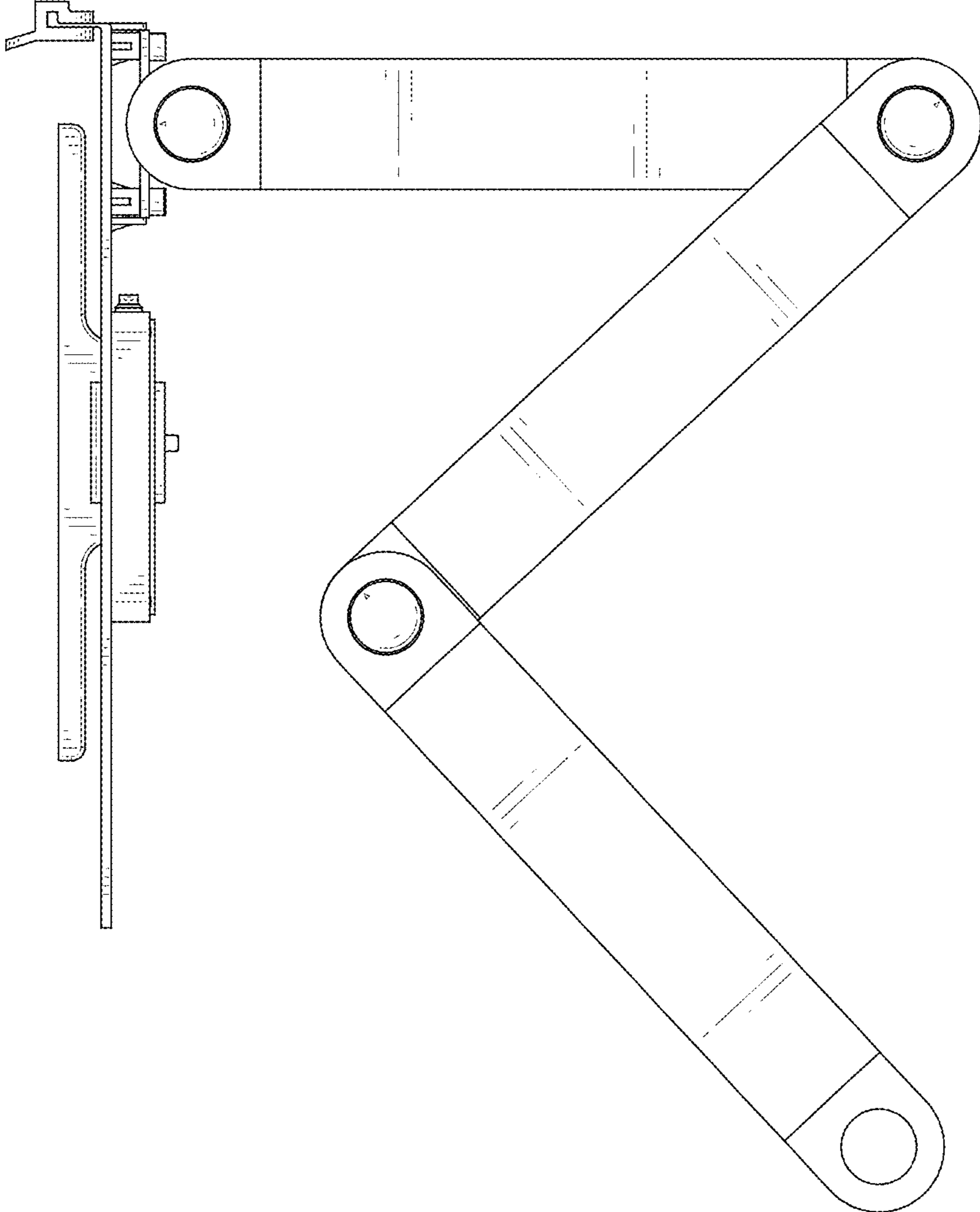


FIG. 7

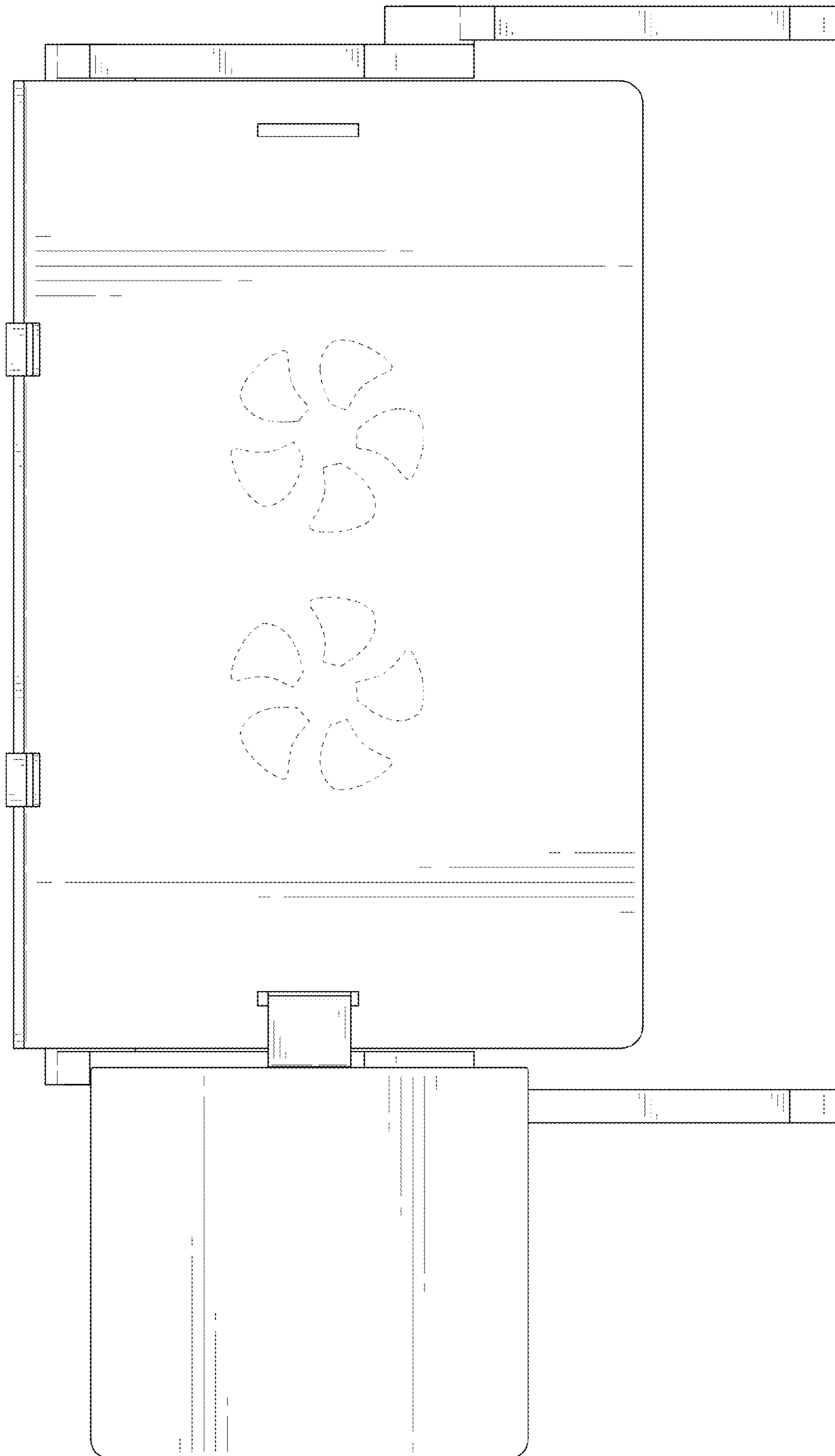


FIG. 8

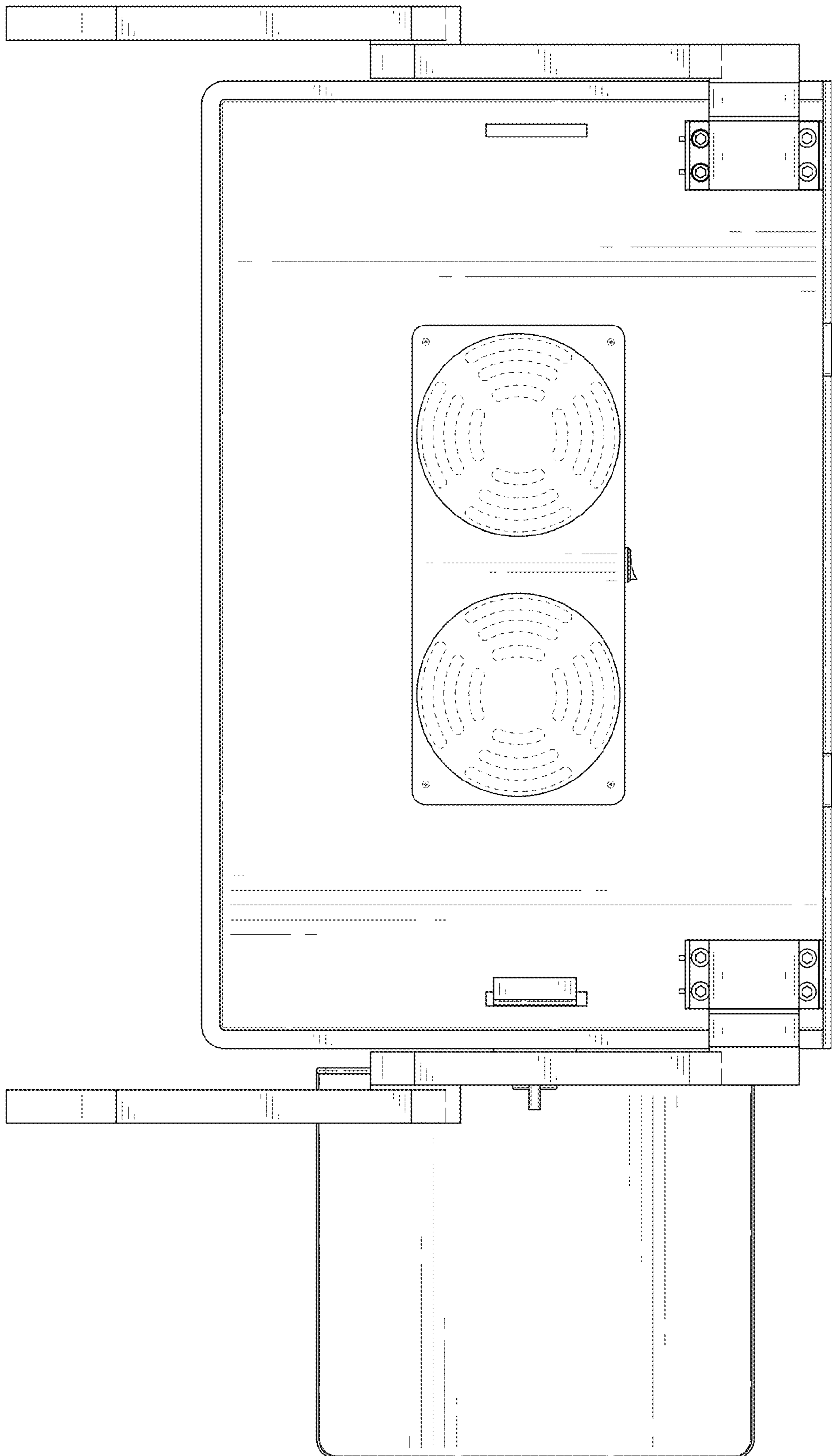


FIG. 9