



US00D921642S

(12) **United States Design Patent** (10) **Patent No.:** **US D921,642 S**
Hong (45) **Date of Patent:** **** Jun. 8, 2021**

(54) **TABLET HOLDER**
(71) Applicant: **COOLCOLD TECHNOLOGY (SHENZHEN) CO., LTD.**, Shenzhen (CN)
(72) Inventor: **Songliang Hong**, Shenzhen (CN)
(73) Assignee: **COOLCOLD TECHNOLOGY (SHENZHEN) CO., LTD.**, Shenzhen (CN)

D757,019 S 5/2016 Pitteri
D783,628 S * 4/2017 Pitteri D14/447
D792,417 S * 7/2017 Xiang D14/447
D827,652 S 9/2018 Jacques
D838,724 S * 1/2019 Olander F16M 11/38
D14/447
D857,698 S 8/2019 Hu
D861,701 S * 10/2019 Benoni D14/447
D898,748 S * 10/2020 Ma D14/447
D902,936 S * 11/2020 Hong D14/447
D904,416 S * 12/2020 Xu D14/447

* cited by examiner

(**) Term: **15 Years**

Primary Examiner — Angela J Lee

(21) Appl. No.: **29/738,453**

(74) *Attorney, Agent, or Firm* — Law Offices of Steven W. Weinrieb

(22) Filed: **Jun. 17, 2020**

(57) **CLAIM**

(51) **LOC (13) Cl.** **08-07**

The ornamental design for a tablet holder, as shown and described.

(52) **U.S. Cl.**

USPC **D14/447**

(58) **Field of Classification Search**

DESCRIPTION

USPC D14/447, 432, 434, 439, 440, 451, 452, D14/457, 239, 253; D8/363, 373, 380; D6/406.3, 406.4, 406.5, 406.6; D12/415
CPC A47B 21/04; A47B 2097/006; A47B 2097/005; A47B 2023/049; A45C 2011/002; A45C 2011/003; F16M 2200/00; F16M 13/00

FIG. 1 is a front, left side, bottom perspective view of a tablet holder showing my new design wherein the tablet holder support legs are shown at partially extended use positions;
FIG. 2 is a front elevational view thereof;
FIG. 3 is a rear elevational view thereof;
FIG. 4 is a left side elevational view thereof;
FIG. 5 is a right side elevational view thereof;
FIG. 6 is a top plan view thereof;
FIG. 7 is a bottom plan view thereof; and
FIG. 8 is a front, left side, bottom perspective view thereof wherein the tablet holder support legs are shown at fully extended use positions; and,
FIG. 9 is a front, left side, top perspective view thereof showing the tablet holder in a fully collapsed position.
The broken lines depict portions of the tablet holder that form no part of the claimed design.

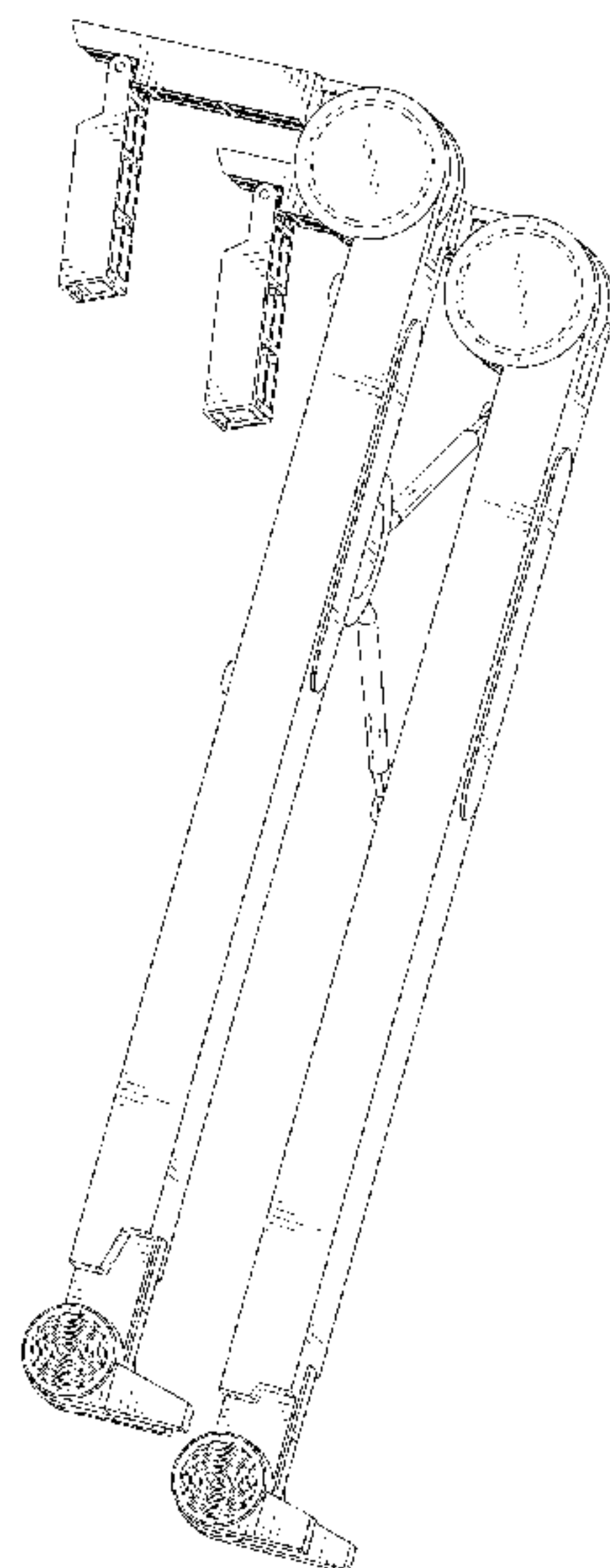
See application file for complete search history.

(56) **References Cited**

U.S. PATENT DOCUMENTS

D483,767 S 12/2003 Green et al.
D558,772 S 1/2008 Derry et al.
D659,147 S * 5/2012 Hu D14/447
D672,782 S * 12/2012 Gross D14/447
D673,960 S 1/2013 Lindfield et al.
D689,500 S * 9/2013 Faulk D14/447
D690,306 S * 9/2013 Malisse D14/447
D731,497 S * 6/2015 Xiang D14/447
D742,386 S * 11/2015 Rost D14/447

1 Claim, 9 Drawing Sheets



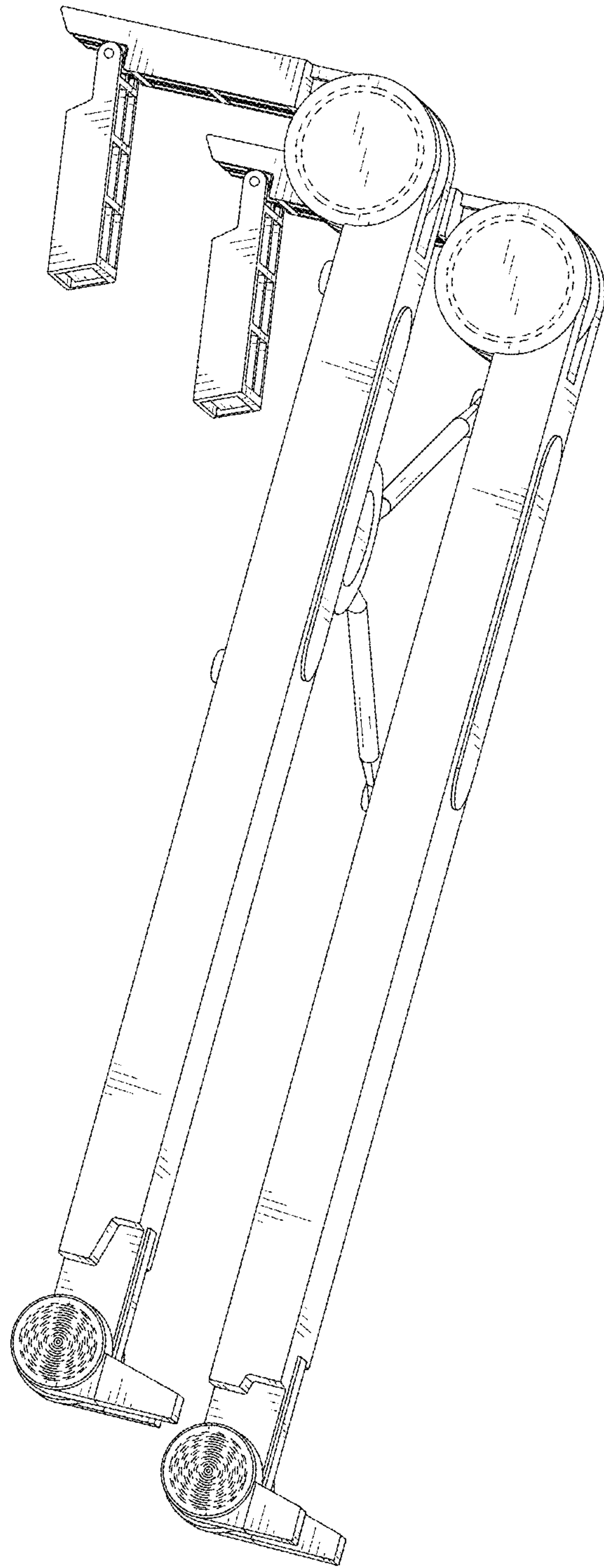


FIG. 1

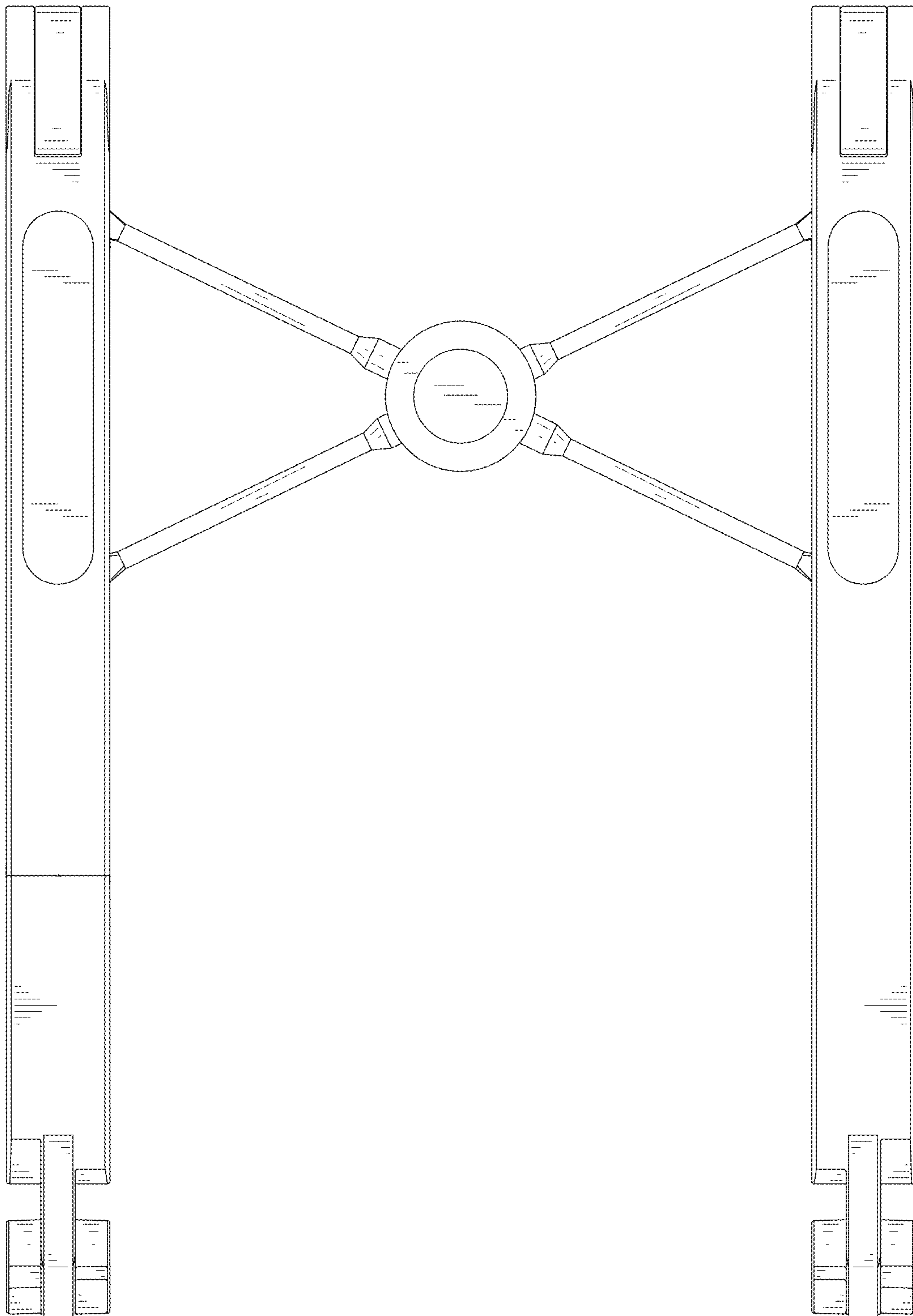


FIG. 2

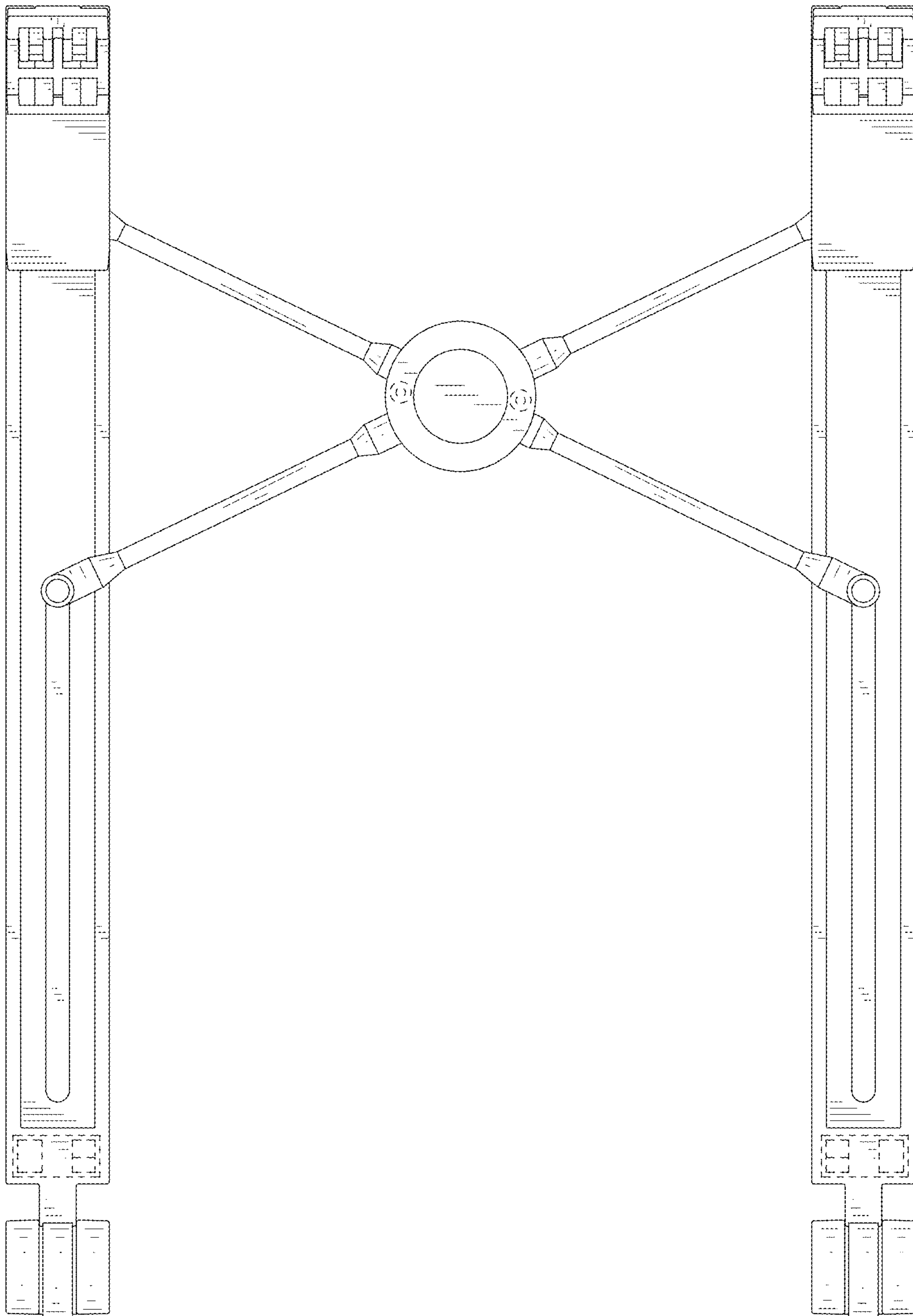


FIG. 3

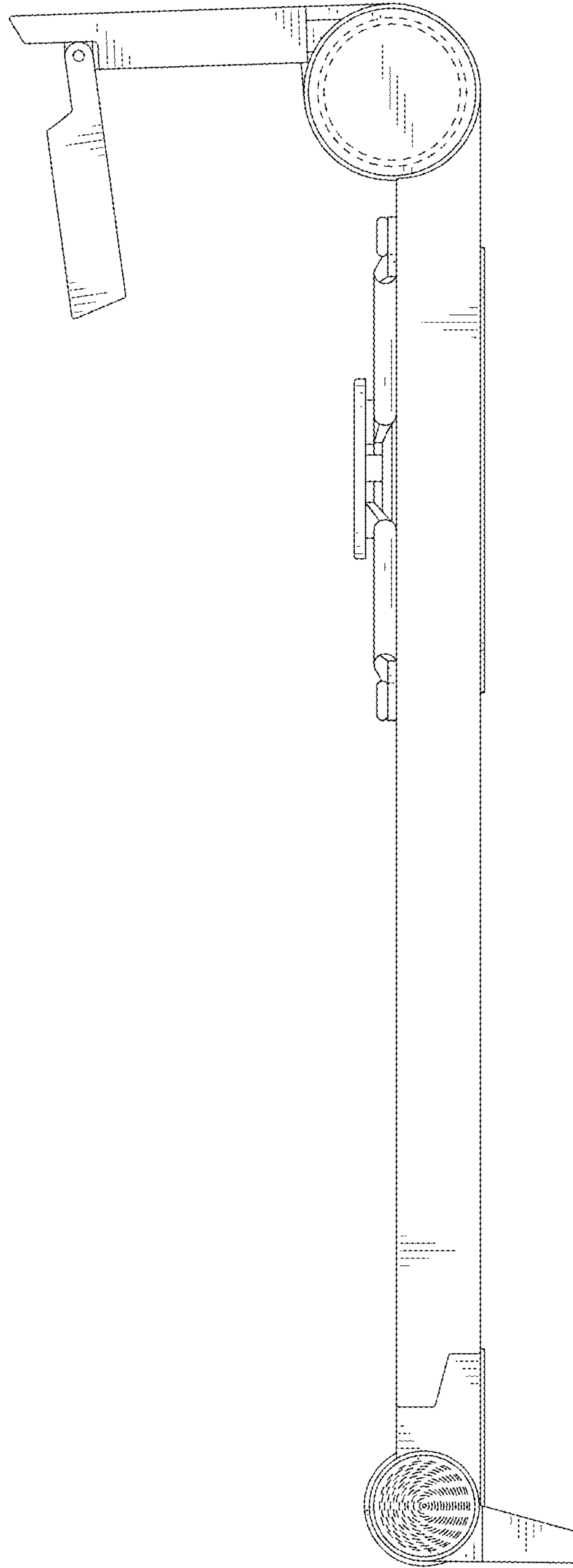


FIG. 4

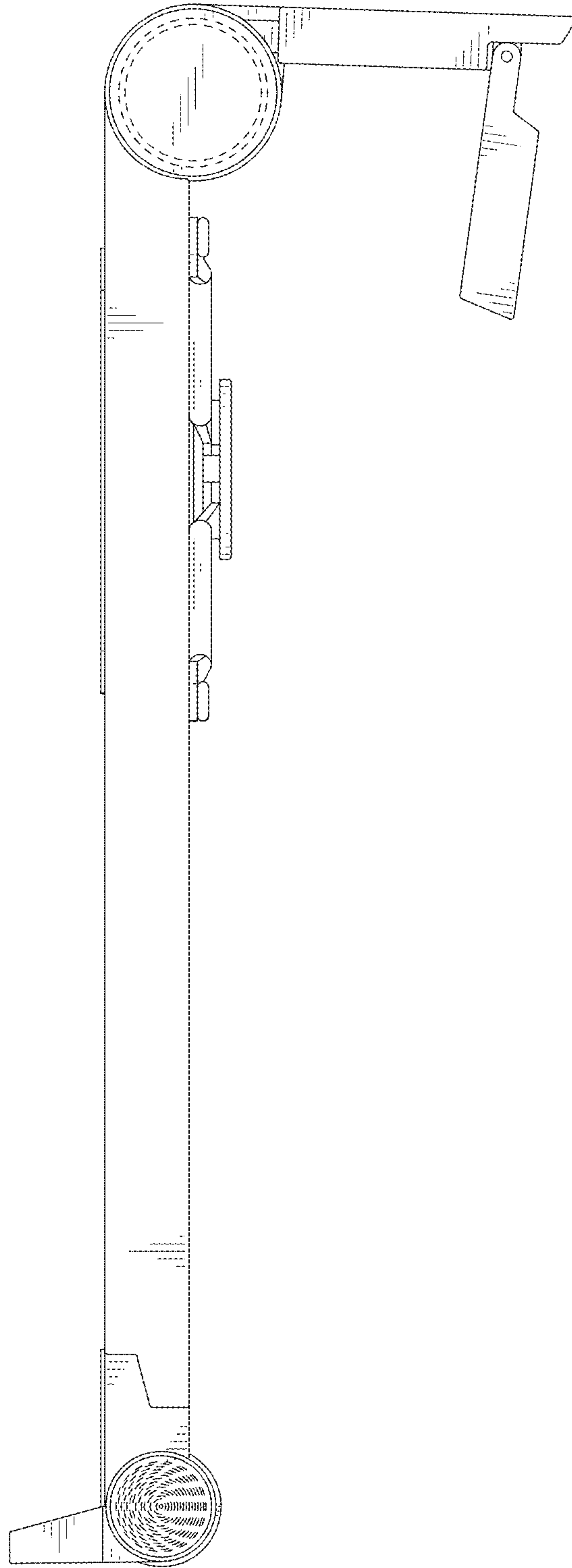


FIG. 5

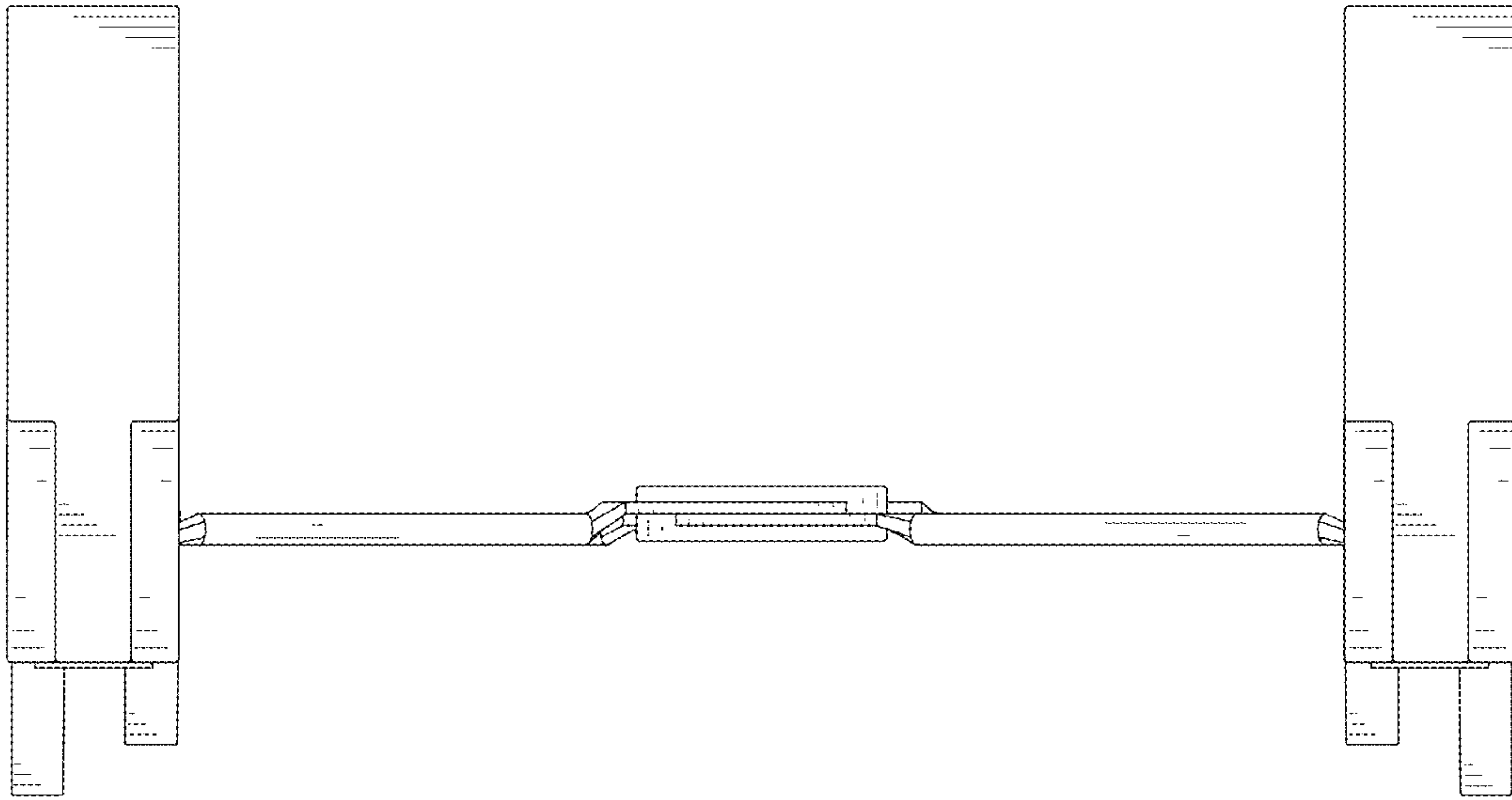


FIG. 6

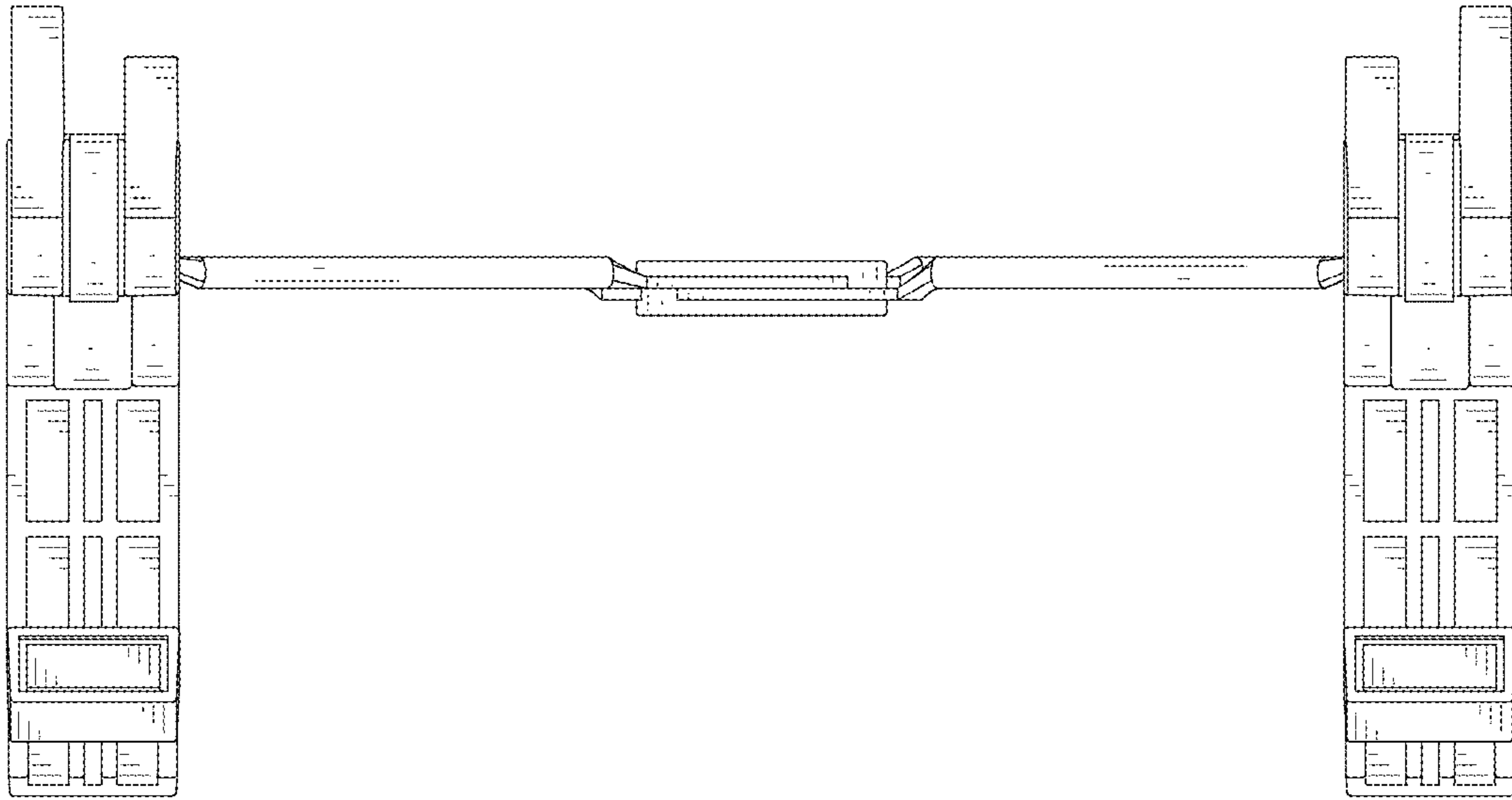


FIG. 7

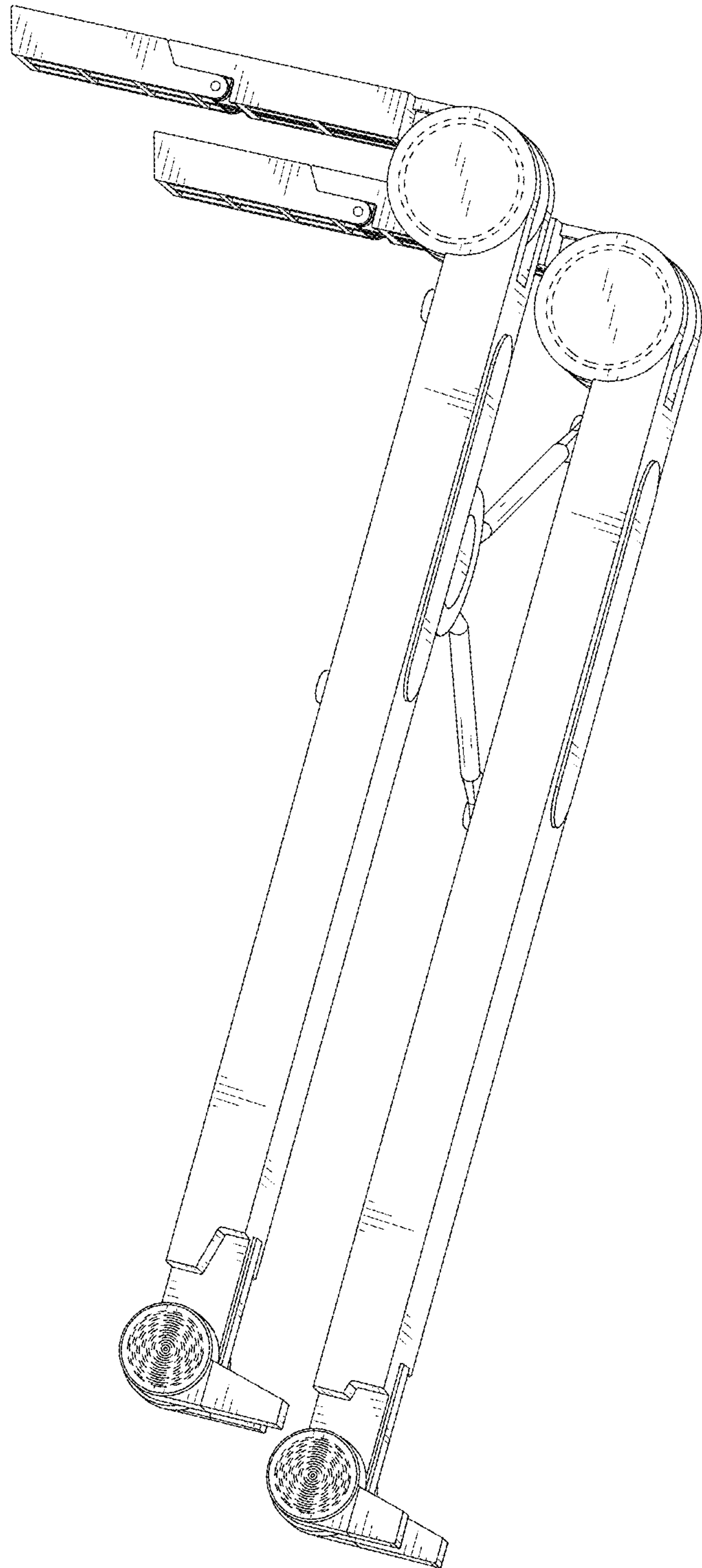


FIG. 8

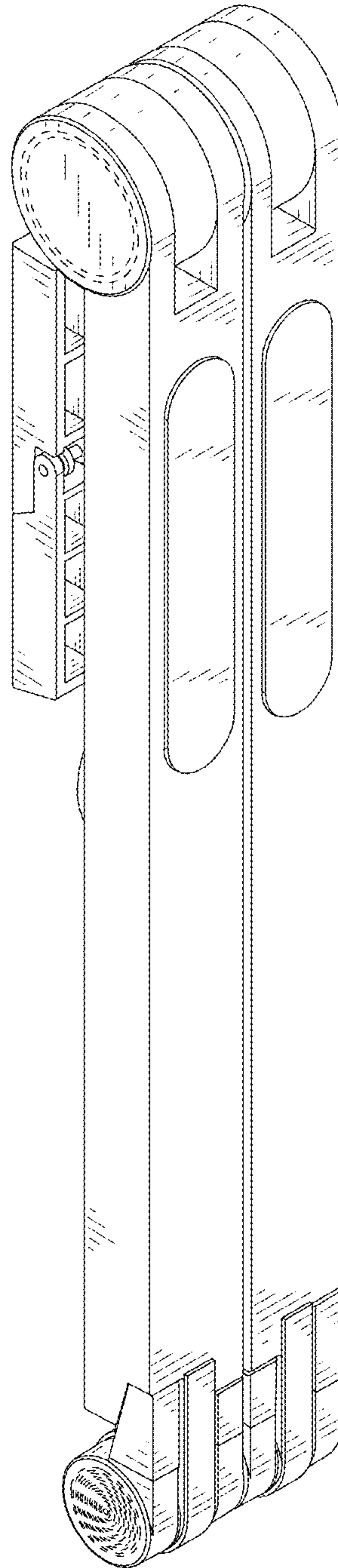


FIG. 9