



US00D921641S

(12) **United States Design Patent** (10) **Patent No.:** **US D921,641 S**
Kuo (45) **Date of Patent:** **** Jun. 8, 2021**

(54) **SUPPORT PAD FOR NOTEBOOK COMPUTER**

(71) Applicant: **Getac Technology Corporation**,
Hsinchu County (TW)

(72) Inventor: **Hsiu-Yu Kuo**, Taipei (TW)

(73) Assignee: **GETAC TECHNOLOGY CORPORATION**, Hsinchu County (TW)

(**) Term: **15 Years**

(21) Appl. No.: **29/725,793**

(22) Filed: **Feb. 27, 2020**

(51) **LOC (13) Cl.** **08-07**

(52) **U.S. Cl.**
USPC **D14/447**

(58) **Field of Classification Search**
USPC D14/447, 432, 434, 439, 440, 451, 452,
D14/457, 239, 253; D8/363, 373, 380;
D6/406.3, 406.4, 406.5, 406.6
CPC A47B 21/04; A47B 2097/006; A47B
2097/005; A47B 2023/049; A45C
2011/002; A45C 2011/003; F16M
2200/00; F16M 13/00
See application file for complete search history.

(56) **References Cited**

U.S. PATENT DOCUMENTS

| | | | | |
|--------------|---------|--------|-------|---------|
| D627,340 S * | 11/2010 | Lan | | D14/253 |
| D637,155 S * | 5/2011 | Jeon | | D13/108 |
| D661,309 S * | 6/2012 | Murrer | | D14/447 |
| D692,011 S * | 10/2013 | Wu | | D14/447 |
| D692,012 S * | 10/2013 | Thorne | | D14/447 |

| | | | | |
|--------------|--------|----------|-------|-----------|
| D699,246 S * | 2/2014 | Ringlein | | D14/447 |
| D706,784 S * | 6/2014 | Mills | | D14/447 |
| D710,363 S * | 8/2014 | Wengreen | | D14/432 |
| D722,062 S * | 2/2015 | Zwerner | | D14/447 |
| D732,046 S * | 6/2015 | Lee | | D14/447 |
| D746,807 S * | 1/2016 | McGarry | | D14/253 |
| D825,576 S * | 8/2018 | Krupa | | D14/447 |
| D847,800 S * | 5/2019 | Wengreen | | D14/238.1 |

* cited by examiner

Primary Examiner — Angela J Lee

(74) *Attorney, Agent, or Firm* — Locke Lord LLP; Tim Tingkang Xia, Esq.

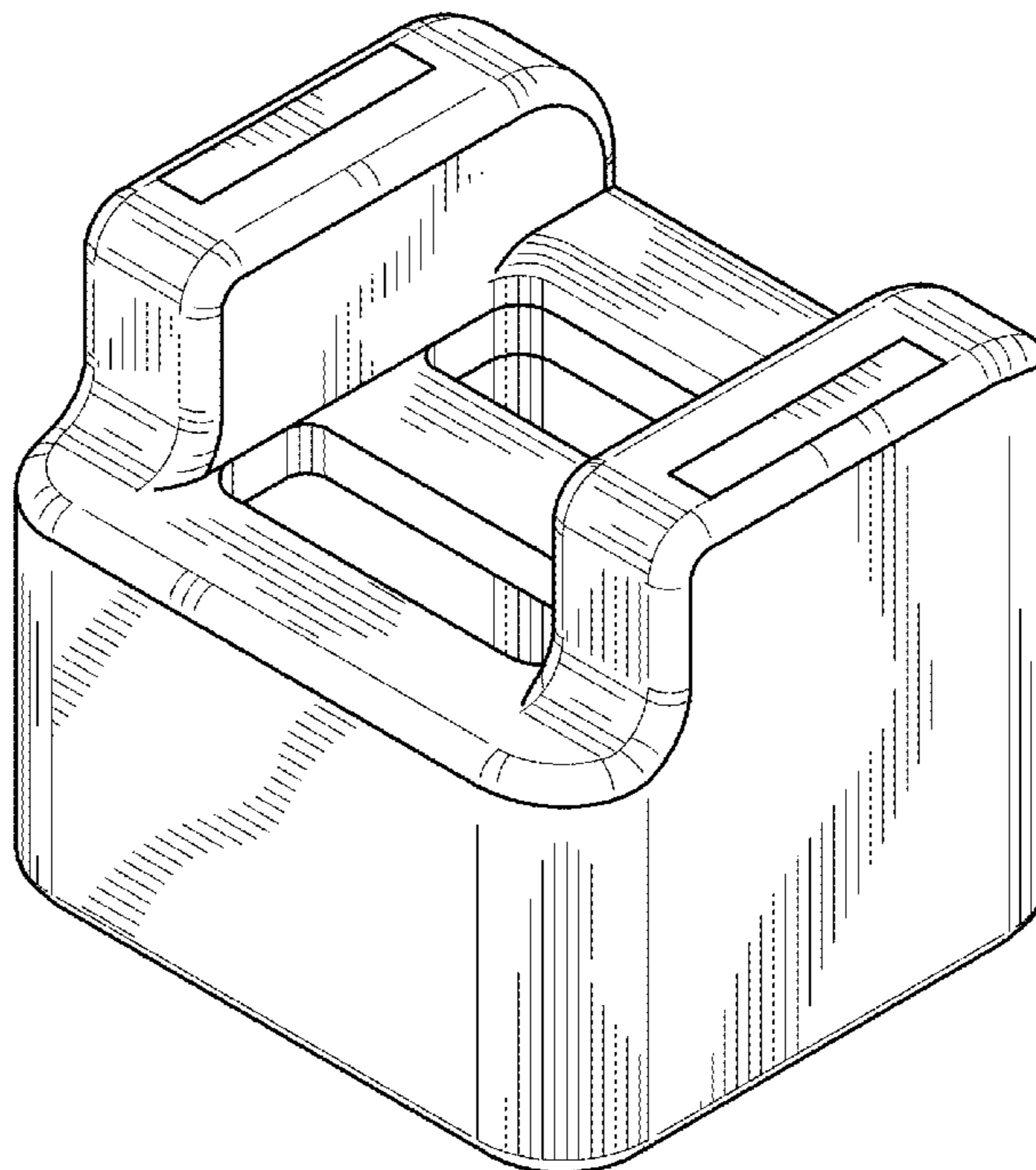
(57) **CLAIM**

The ornamental design for a “support pad for notebook computer”, as shown and described.

DESCRIPTION

FIG. 1 is a front, top, right perspective view of a support pad for notebook computer, showing my new design; FIG. 2 is a front elevational view thereof; FIG. 3 is a rear elevational view thereof; FIG. 4 is a left side elevational view thereof; FIG. 5 is a right side elevational view thereof; FIG. 6 is a top plan view thereof; FIG. 7 is a bottom plan view thereof; and, FIG. 8 is a reference perspective view of a notebook computer installed on my new design. The surface shading lines illustrate contour only and form no part of the present design. The plaid lines illustrate a strap through the support pad which forms no part of the claimed design. The dashed broken lines illustrate environmental subject matter which forms no part of the claimed design.

1 Claim, 8 Drawing Sheets



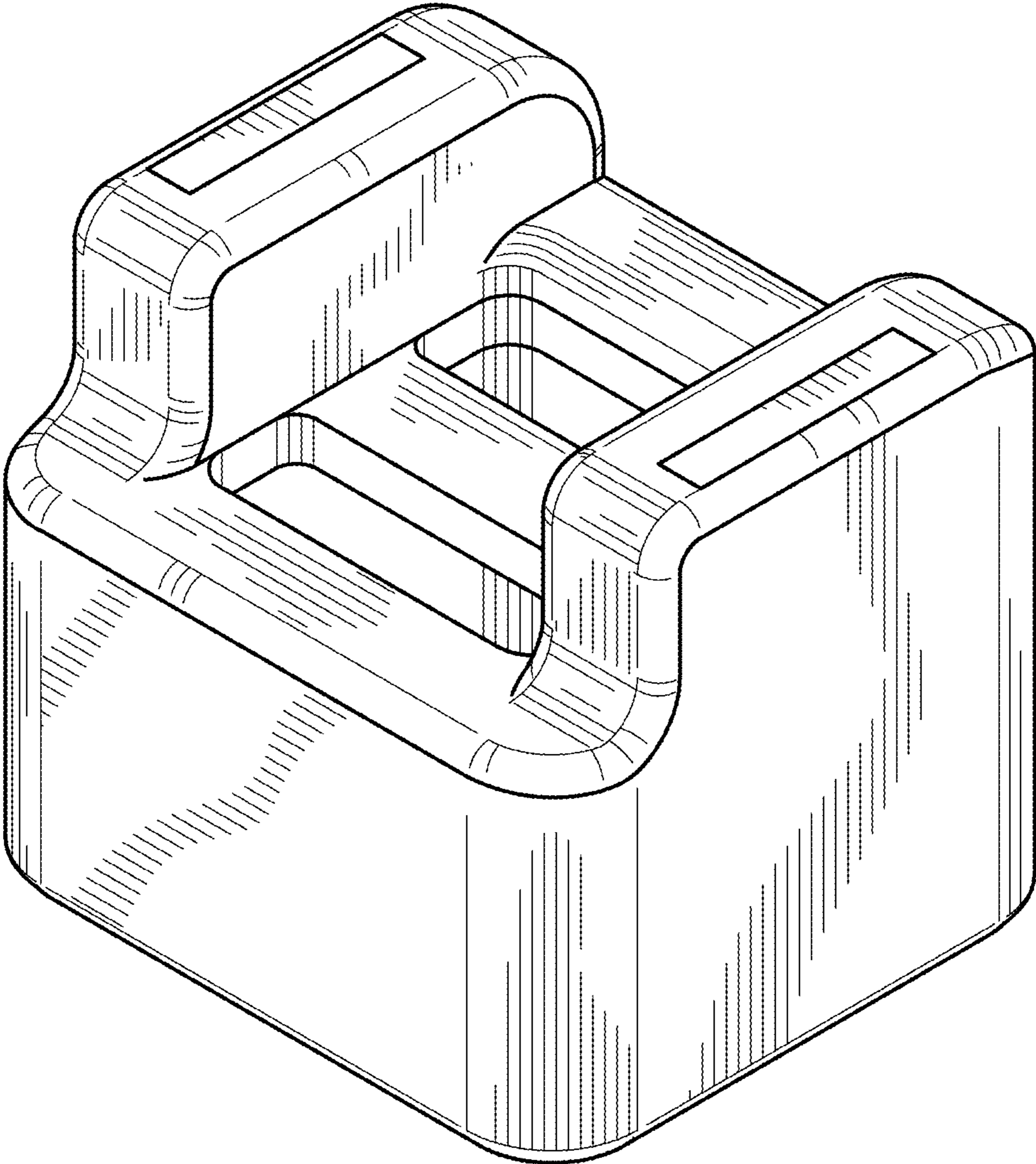


Fig. 1

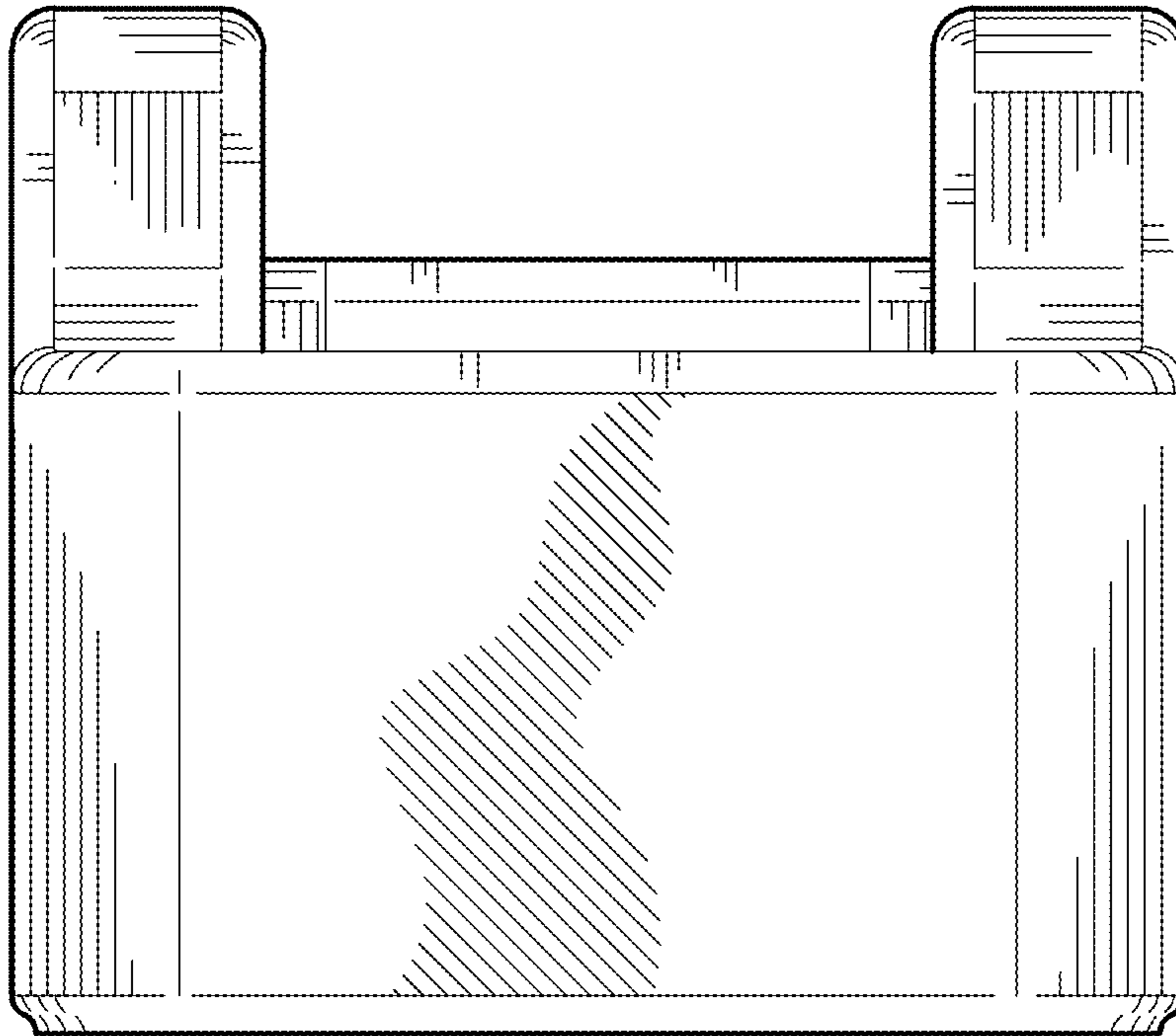


Fig.2

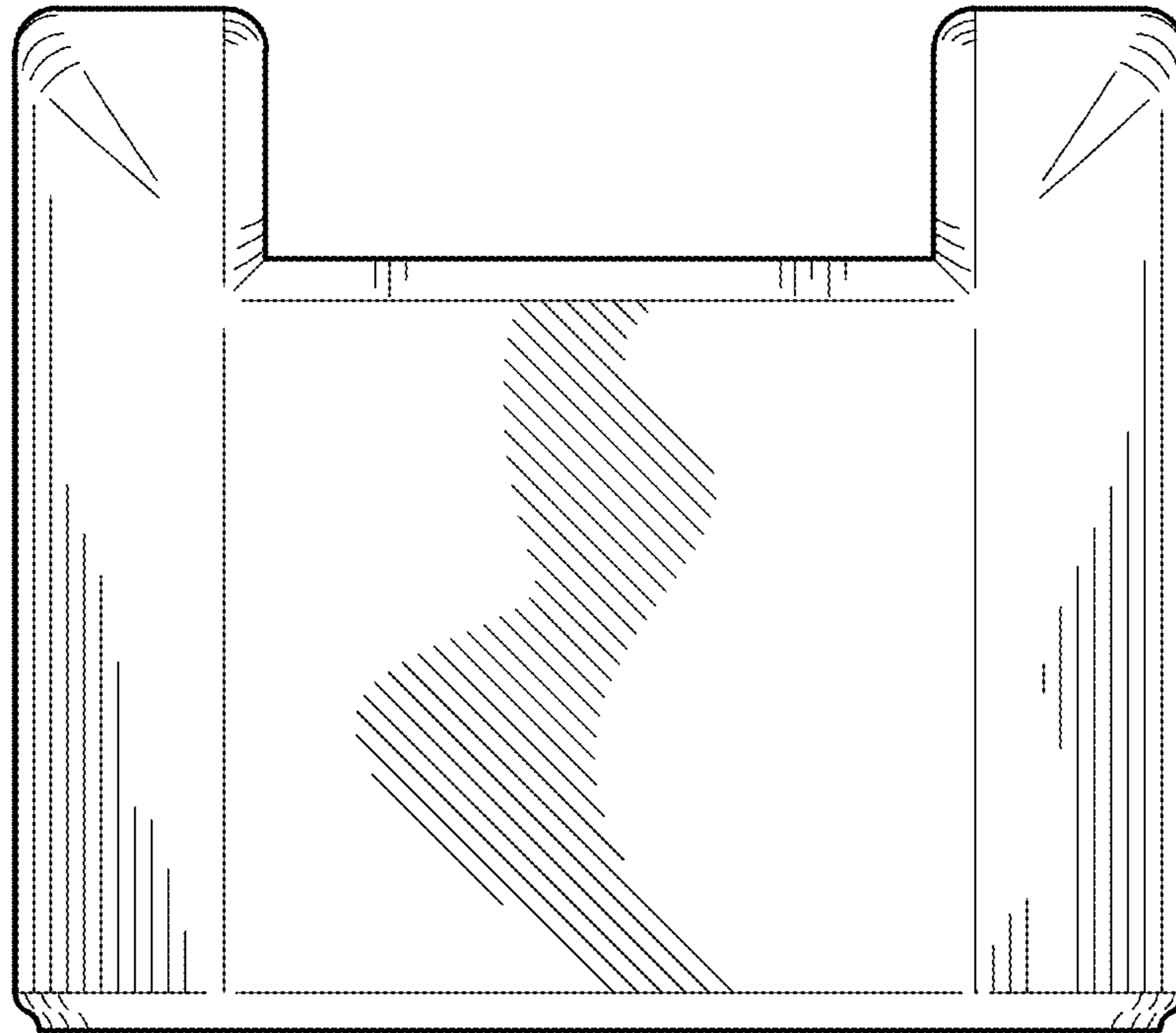


Fig.3

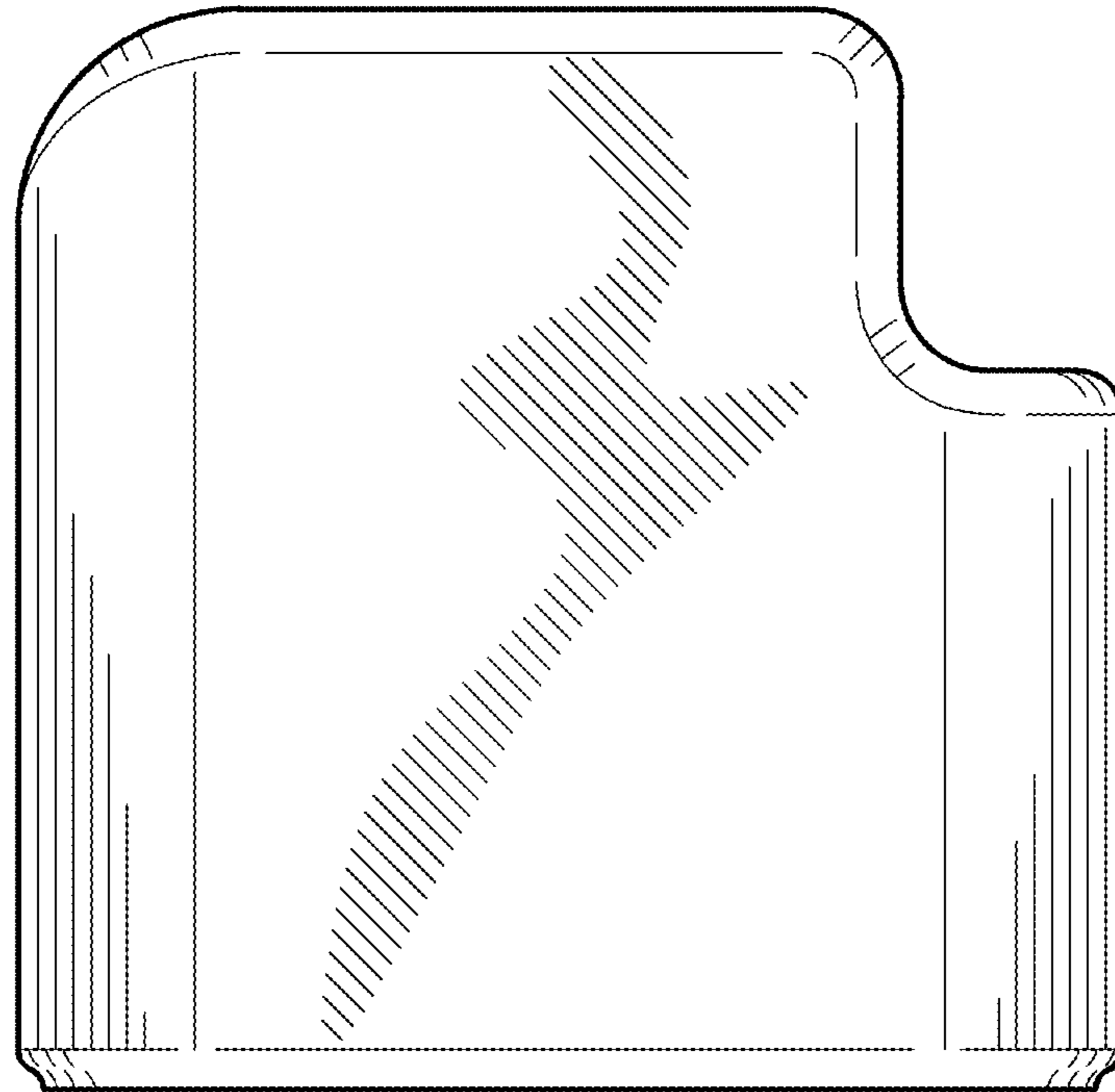


Fig.4

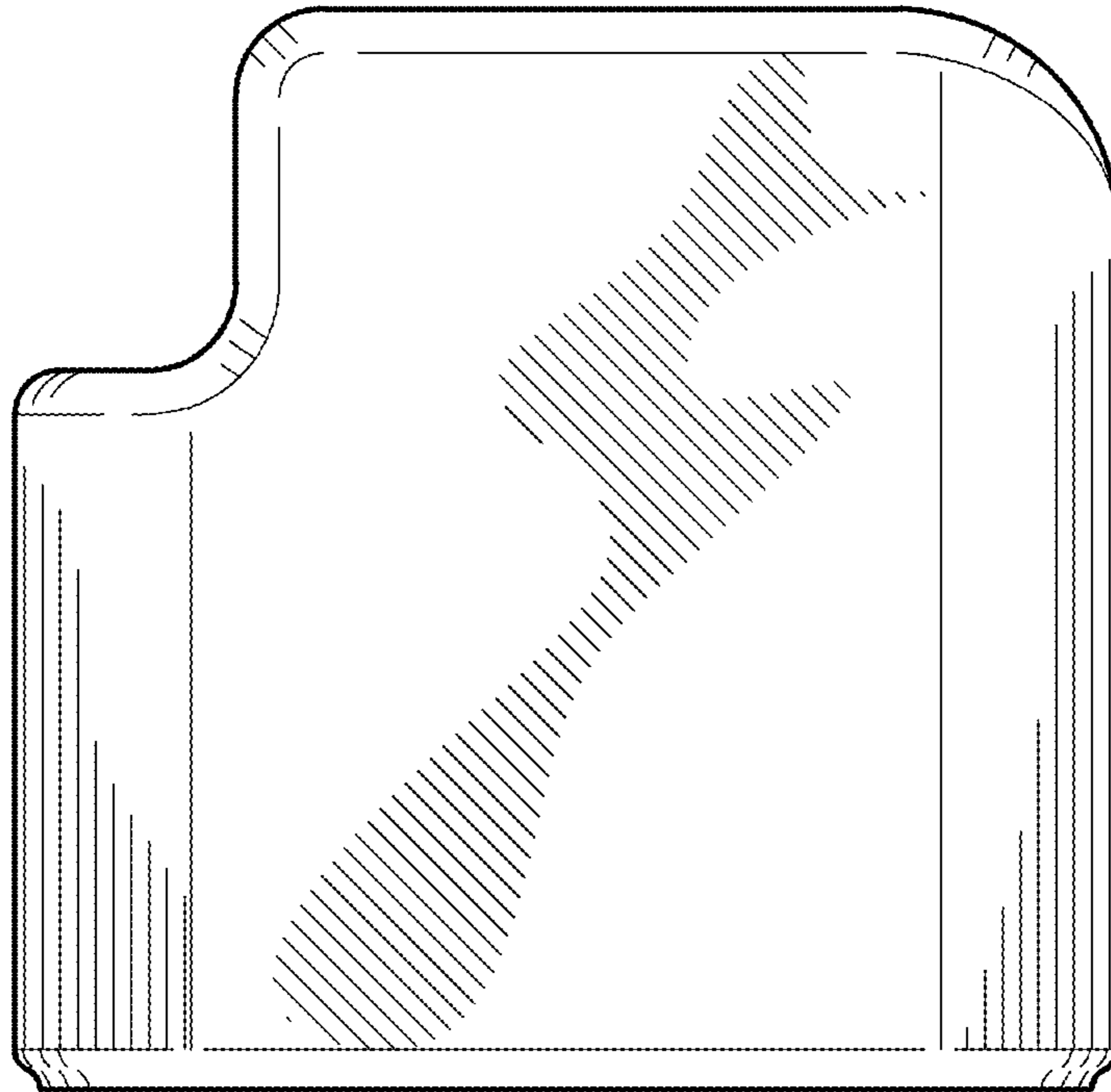


Fig.5

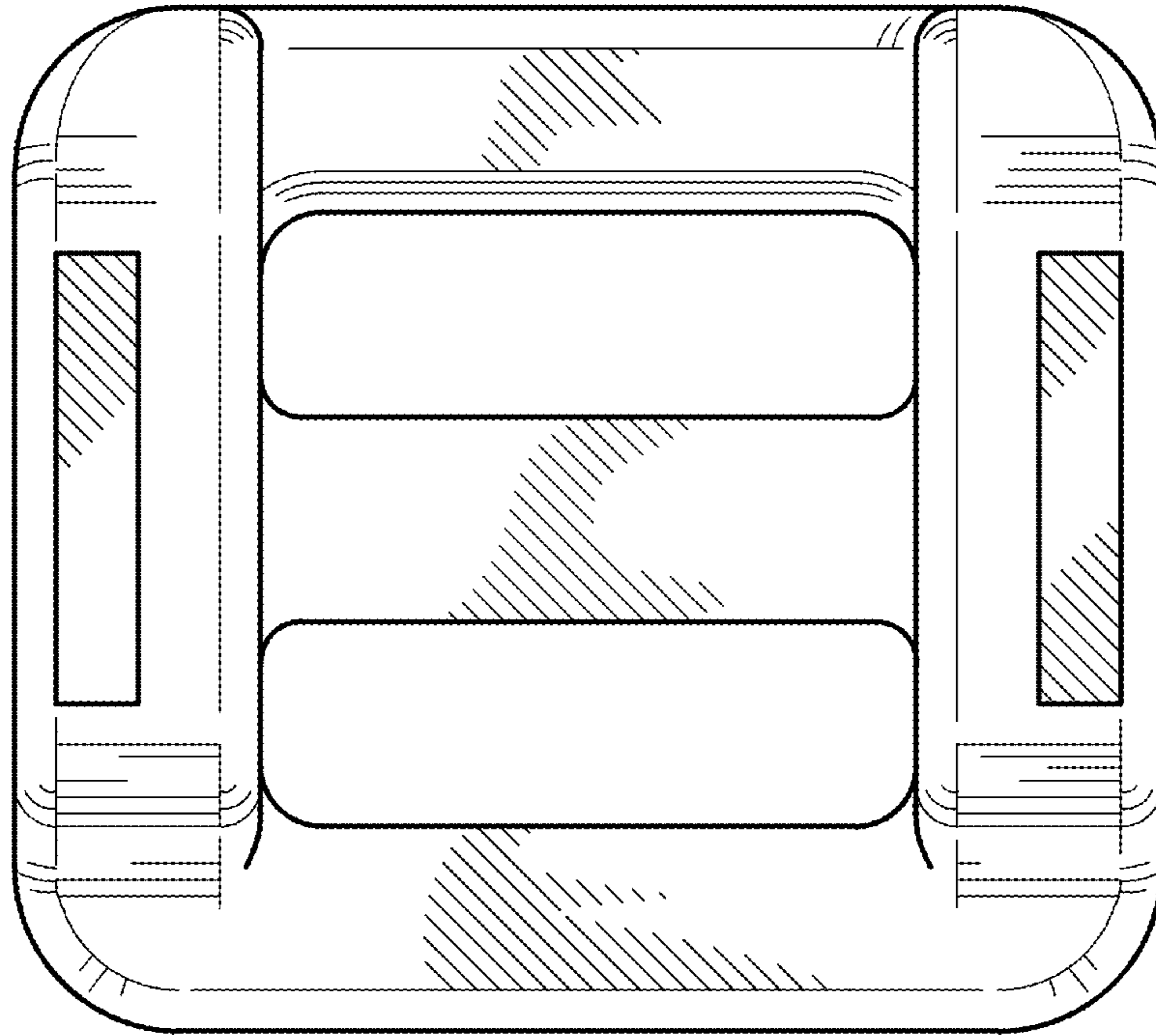


Fig.6

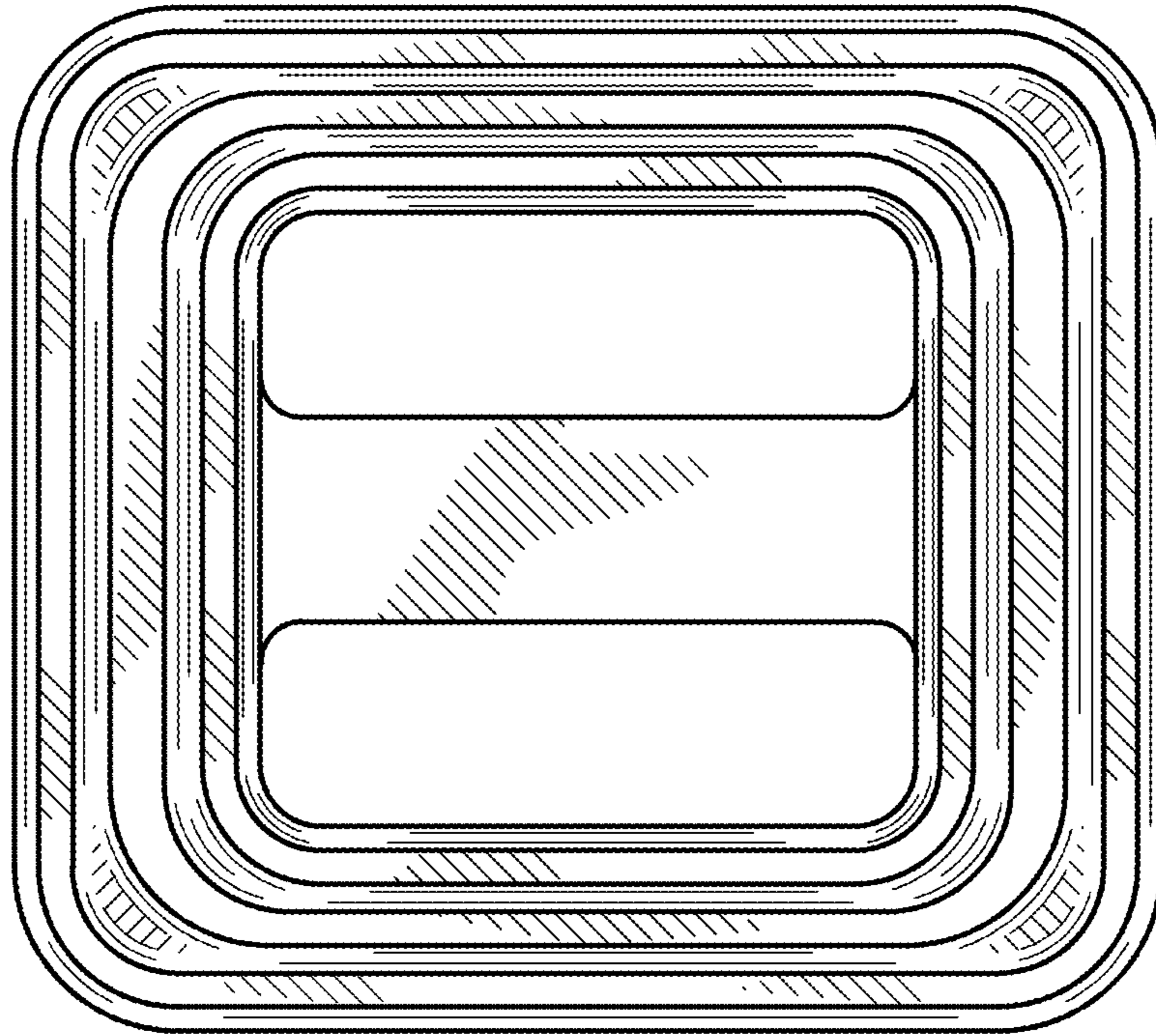


Fig.7

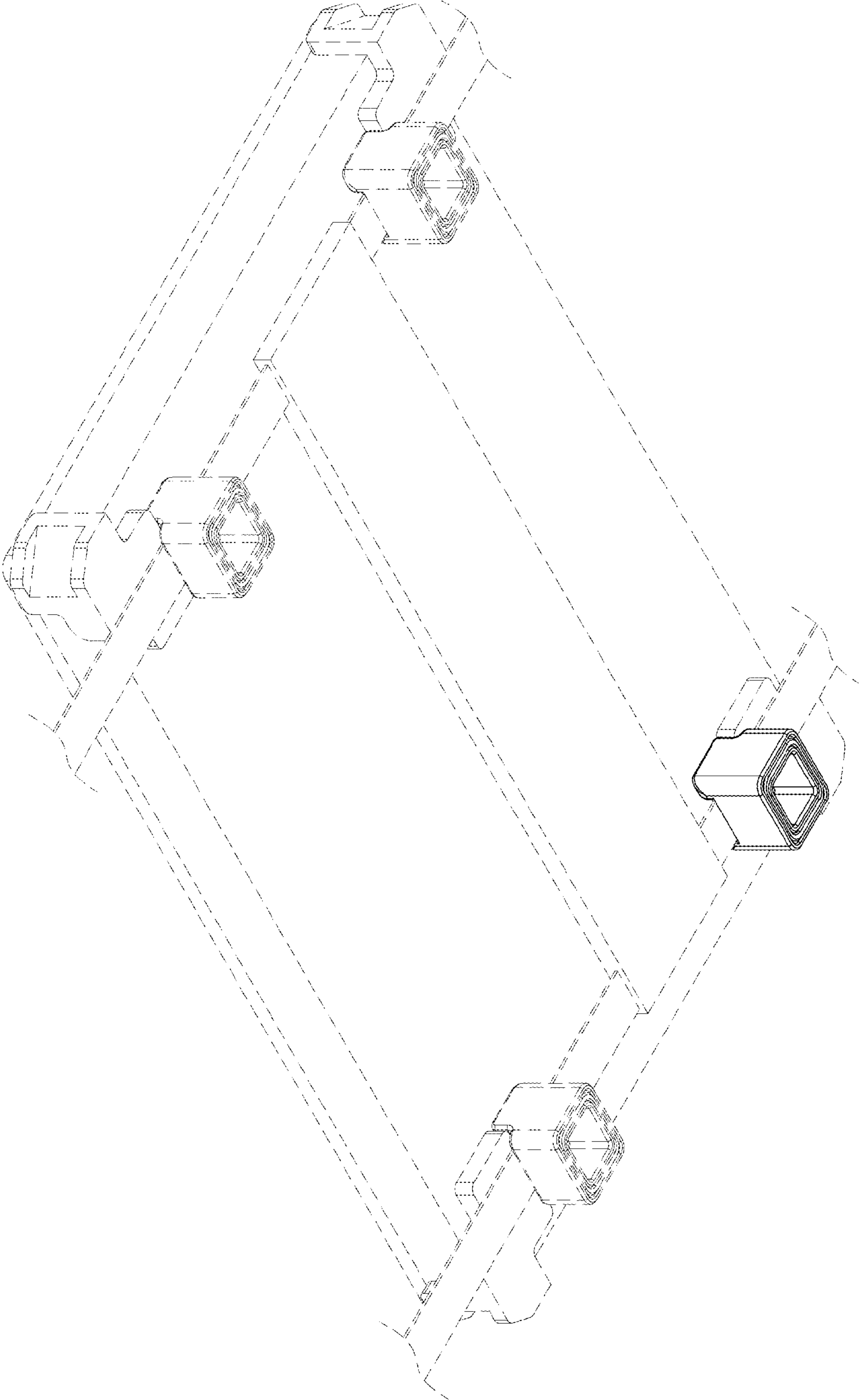


Fig. 8