



US00D921640S

(12) **United States Design Patent** (10) **Patent No.:** **US D921,640 S**  
**Cheng** (45) **Date of Patent:** **\*\* Jun. 8, 2021**

(54) **VERTICAL GRAPHICS CARD HOLDER WITH PCIE XI6 ADAPTER**

(71) Applicant: **Liang-Ho Cheng**, Taoyuan (TW)

(72) Inventor: **Liang-Ho Cheng**, Taoyuan (TW)

(\*\*) Term: **15 Years**

(21) Appl. No.: **29/722,700**

(22) Filed: **Jan. 31, 2020**

(51) **LOC (13) Cl.** ..... **14-02**

(52) **U.S. Cl.**

USPC ..... **D14/447**; D8/354; D8/381

(58) **Field of Classification Search**

USPC ..... D14/334-337, 371, 374-382, 126-129, D14/314, 451-452, 457, 447-448, D14/339-340, 316, 307, 251-253; D8/349, 352, 354, 363, 373, 376, D8/380-381; D24/185; D18/4.3, 4.4, D18/4.5, 4.6; D20/41

CPC ..... H05K 7/00; H05K 7/14; H05K 7/1488; H05K 7/1489; H05K 7/18; H05K 7/183; H05K 7/186; F16M 13/025

See application file for complete search history.

(56) **References Cited**

**U.S. PATENT DOCUMENTS**

- D266,461 S \* 10/1982 Helzer ..... D6/310
- 4,809,940 A \* 3/1989 Trestyn ..... A47B 57/425  
211/187
- 5,048,083 A \* 9/1991 Dunchock ..... B60R 11/0241  
379/454
- D328,078 S \* 7/1992 Jacobs ..... D14/253
- D338,637 S \* 8/1993 Shenkar ..... D11/156
- D349,844 S \* 8/1994 Jaremkof ..... D8/380
- D364,331 S \* 11/1995 Leek ..... D8/354
- D467,930 S \* 12/2002 Hwang ..... D14/447
- D469,774 S \* 2/2003 Bradley ..... D14/434
- D596,932 S \* 7/2009 Kleinsasser ..... D8/381

- D662,341 S \* 6/2012 Sanders ..... D6/705
- D681,642 S \* 5/2013 Meadows ..... D14/447
- D681,644 S \* 5/2013 Meadows ..... D14/447
- D728,580 S \* 5/2015 Campbell ..... D14/447
- D730,720 S \* 6/2015 Nowak ..... D8/355
- D753,465 S \* 4/2016 Marsh ..... D8/349
- D754,136 S \* 4/2016 Schoening ..... D14/447

(Continued)

**FOREIGN PATENT DOCUMENTS**

- JP 3211762 U \* 8/2017 ..... A47B 47/0058
- WO WO-2008143235 A1 \* 11/2008 ..... H05K 5/0017

**OTHER PUBLICATIONS**

B., Damon, Li-Heat GPU Vertical Mounting Bracket Review, posted at PROCLOCKERS, posting date Sep. 4, 2019. Site visited Nov. 18, 2020. URL: <<https://proclockers.com/review/li-heat-gpu-vertical-mounting-bracket-review/>> (Year: 2019).\*

(Continued)

*Primary Examiner* — Kevin K Rudzinski  
*Assistant Examiner* — Kathleen L Jones  
(74) *Attorney, Agent, or Firm* — Rosenberg, Klein & Lee

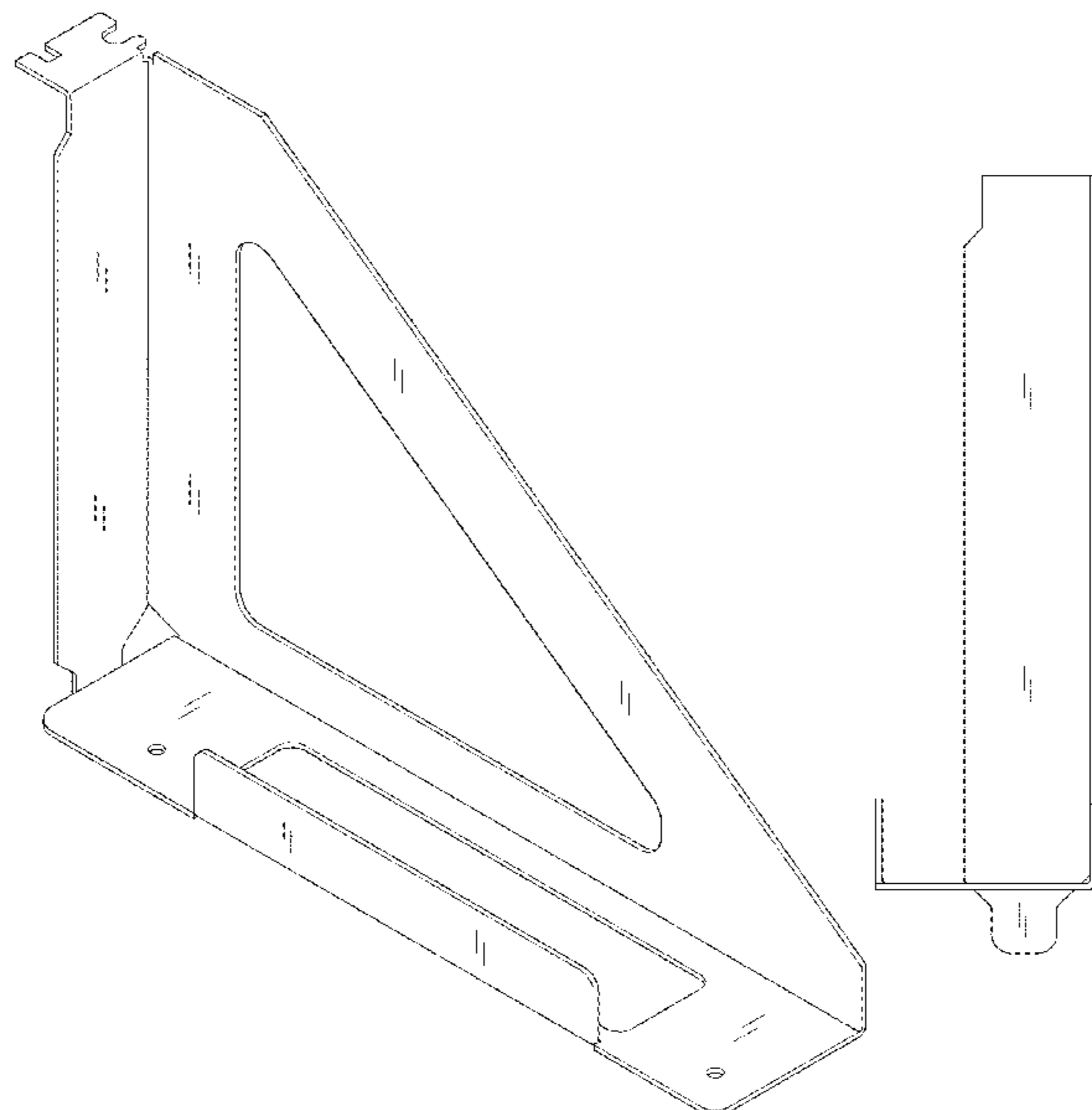
(57) **CLAIM**

The ornamental design for a vertical graphics card holder with PCIe x16 adapter, as shown and described.

**DESCRIPTION**

FIG. 1 is a perspective view of a vertical graphics card holder with PCIe x16 adapter showing my new design; FIG. 2 is a front elevation view thereof; FIG. 3 is a rear elevation view thereof; FIG. 4 is a left side elevational view thereof; FIG. 5 is a right side elevational view thereof; FIG. 6 is a top plan view thereof; and, FIG. 7 is a bottom plan view thereof.

**1 Claim, 5 Drawing Sheets**



(56)

**References Cited**

U.S. PATENT DOCUMENTS

D769,247 S \* 10/2016 Heyen ..... D14/447  
 D796,302 S \* 9/2017 Bright ..... D8/354  
 D820,664 S \* 6/2018 Allen ..... D8/354  
 D829,216 S \* 9/2018 Belitz ..... D14/447  
 D842,862 S \* 3/2019 Ellis ..... D14/447  
 D855,441 S \* 8/2019 Schmonsees ..... D8/349  
 D890,590 S \* 7/2020 O'Halloran ..... D8/71  
 D892,597 S \* 8/2020 Stoops ..... D8/354  
 D901,281 S \* 11/2020 Fox ..... D8/354  
 10,844,898 B1 \* 11/2020 Crawford ..... F21S 8/043  
 D906,788 S \* 1/2021 Ochi ..... D8/354  
 D908,225 S \* 1/2021 Vidakovic ..... D24/185  
 D908,779 S \* 1/2021 Lenihan ..... D16/242  
 2006/0213853 A1 \* 9/2006 Schluter ..... H05K 7/186  
 211/189

2009/0109130 A1 \* 4/2009 Murphy ..... G06F 1/1601  
 345/31  
 2011/0012489 A1 \* 1/2011 Shen ..... A47B 96/14  
 312/326  
 2014/0255085 A1 \* 9/2014 Densberger ..... H05K 7/183  
 403/205  
 2018/0081391 A1 \* 3/2018 Mittler ..... G07F 17/3211  
 2020/0296855 A1 \* 9/2020 Huang ..... G06F 1/183

OTHER PUBLICATIONS

EZDIY-FAB Vertical Graphics Card Holder Bracket, posted at fishpond, posting date Dec. 2, 2019. Site visited Nov. 18, 2020. URL: <<https://www.fishpond.com.au/Electronics/EZDIY-FAB-Vertical-Graphics-Card-Holder-BracketGPU-MountVideo-Card-VGA-Support-Kit-with-Riser-Cable-V2/9999487948721>> (Year: 2019).\*

\* cited by examiner

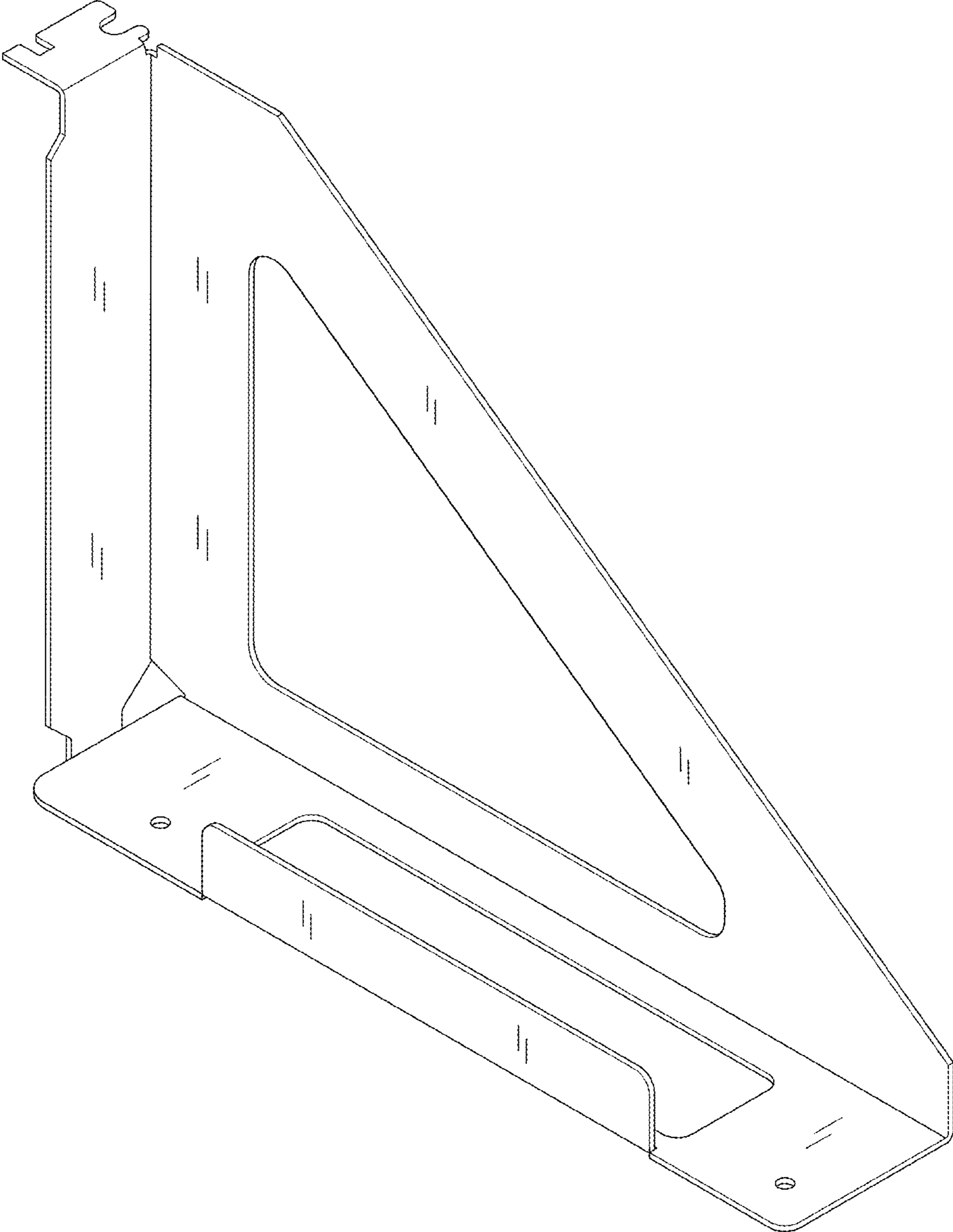


FIG. 1

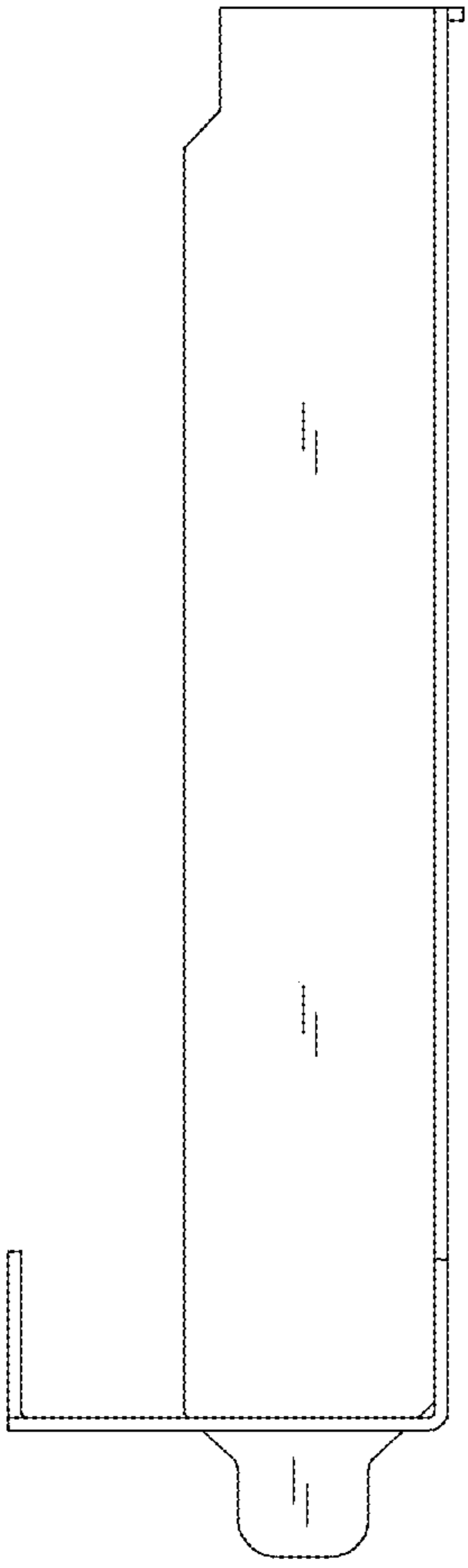


FIG. 2

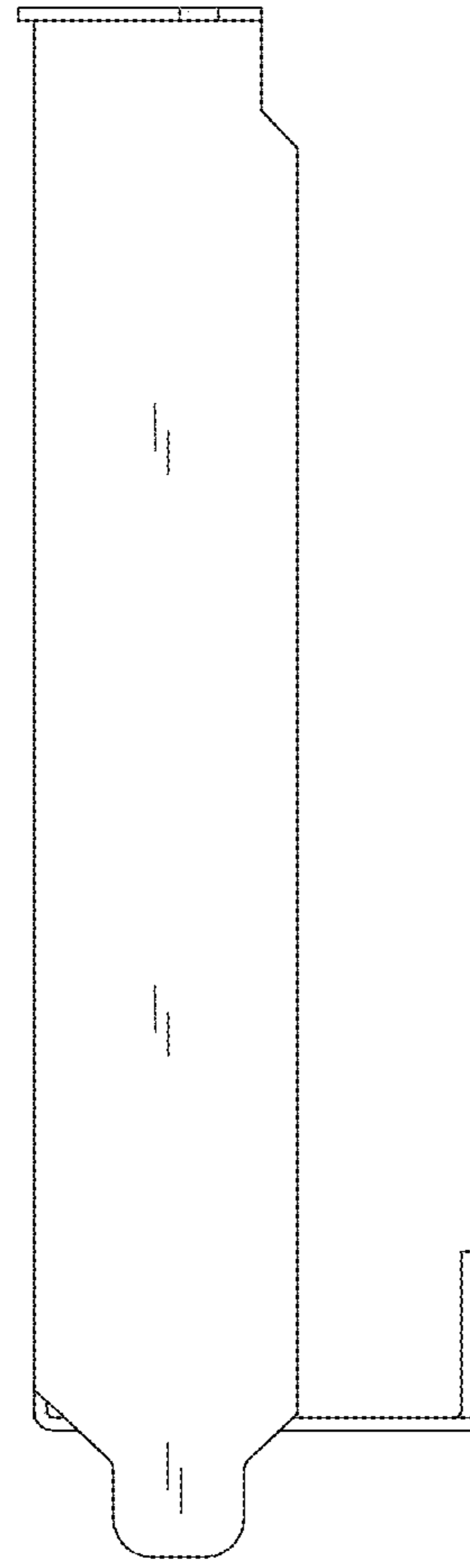


FIG. 3

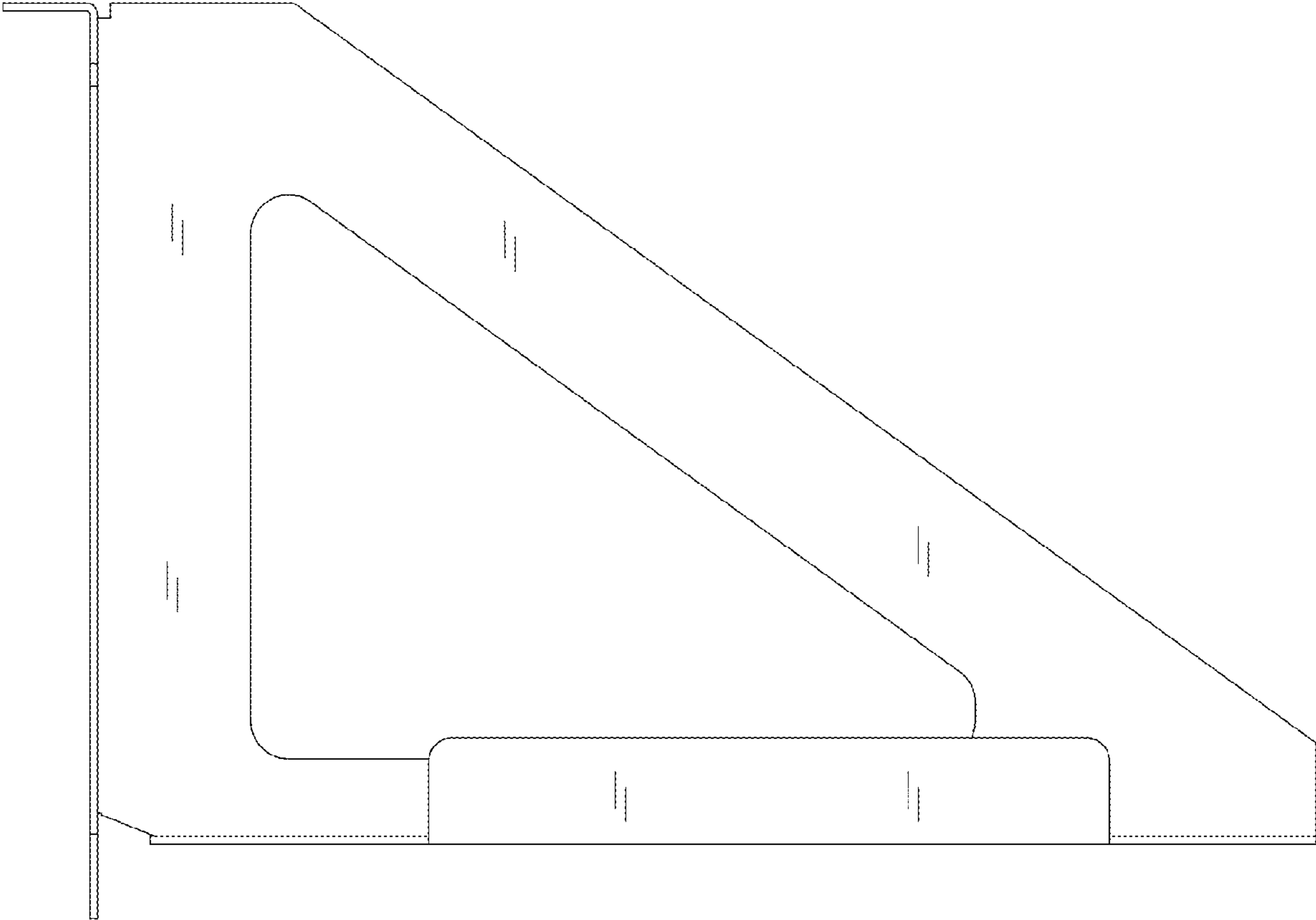


FIG.4

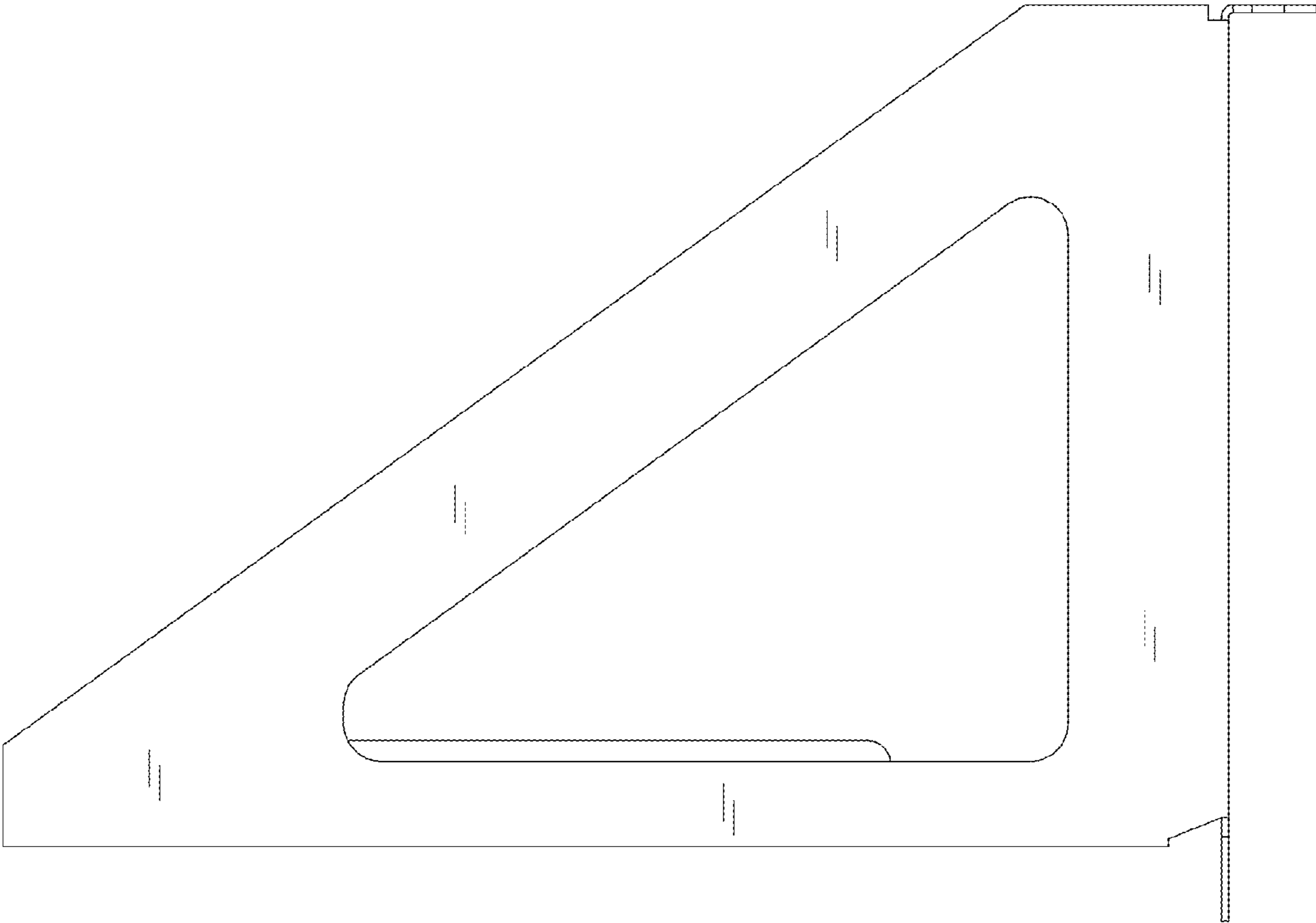


FIG.5

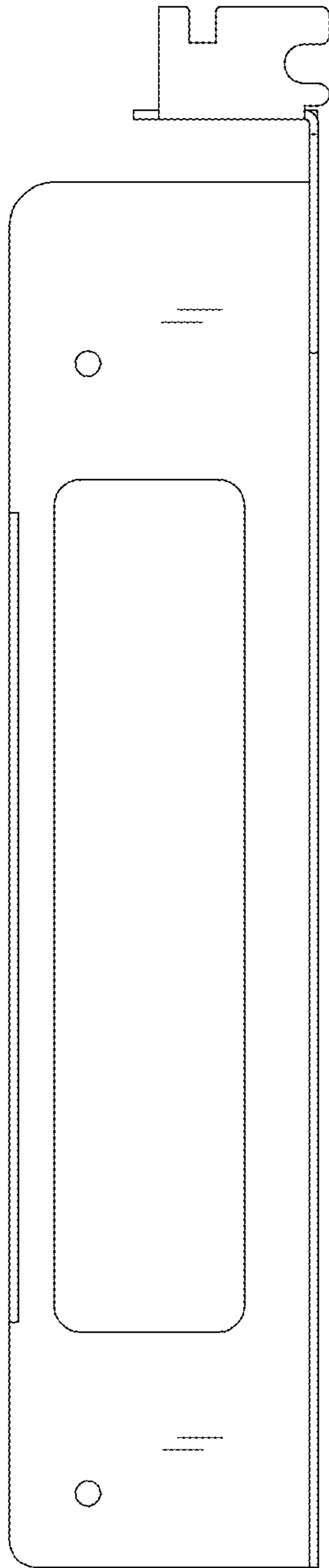


FIG. 6

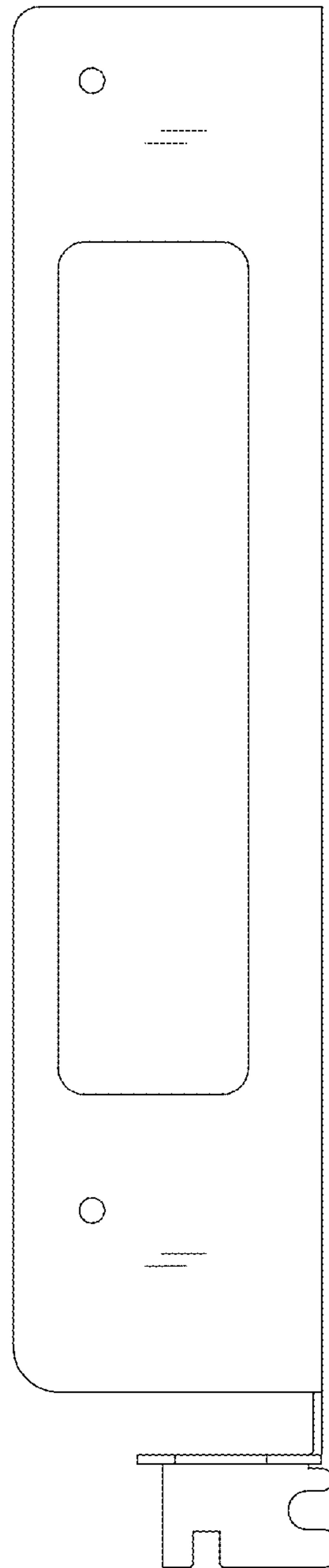


FIG. 7