



US00D921639S

(12) **United States Design Patent**
Nienstedt

(10) **Patent No.:** **US D921,639 S**
(45) **Date of Patent:** **** Jun. 8, 2021**

(54) **CRADLE FOR MIXED REALITY DEVICE**
(71) Applicant: **MAGIC LEAP, INC.**, Plantation, FL (US)
(72) Inventor: **Zak Nienstedt**, Fort Lauderdale, FL (US)
(73) Assignee: **Magic Leap, Inc.**, Plantation, FL (US)
(**) Term: **15 Years**
(21) Appl. No.: **29/653,725**

D362,245 S * 9/1995 Moffatt D14/447
D369,039 S * 4/1996 Guccione D6/682
D420,989 S * 2/2000 Sandhu D14/447
D457,193 S * 5/2002 Brulotte D21/333
D463,799 S * 10/2002 Goto D14/447
D475,716 S * 6/2003 Wada D14/432
D481,734 S * 11/2003 Goto D14/447
D482,039 S * 11/2003 Chen D14/447
D490,437 S * 5/2004 Miao D14/447
D494,182 S * 8/2004 Singer D14/447
D494,595 S * 8/2004 Lin D14/447
D525,999 S * 8/2006 Matsuda D16/242
D635,918 S * 4/2011 Le D13/108
D696,672 S * 12/2013 Brittain D14/447
D702,886 S * 4/2014 Bohman D28/38

(Continued)

(22) Filed: **Jun. 18, 2018**
(51) **LOC (13) Cl.** **14-02**
(52) **U.S. Cl.**
USPC **D14/447**; D14/432
(58) **Field of Classification Search**
USPC D14/250–254, 126, 129, 147, 217, 224,
D14/224.1, 238.1, 299, 433, 434, 447,
D14/451–452, 483, 372, 432, 448, 454;
D12/400, 415–418, 420, 426.1, 114, 223;
D16/237, 242, 245; D10/74; D3/218;
D13/107, 108; D24/118, 127, 128, 187,
D24/199, 227; D8/363, 373, 380;
D6/553, 567
CPC B60R 11/00; B60R 11/02; B60R 11/0241;
B60R 11/0252; B60R 2011/0003; B60R
2011/0005; B60R 2011/0008; H04M
1/04; H04B 1/3877; A45F 2200/0516;
A45F 2200/0525; H05K 5/0204; F16M
13/02; F16M 13/022; F16M 11/04; F16M
11/041; F16M 11/14; F16M 11/22; F16B
2/12; H01F 7/0252; G03B 17/561
See application file for complete search history.

OTHER PUBLICATIONS

Magic Leap 1—Hardware Cradle, online, post date Jun. 13, 2018,
URL: <https://developer.magicleap.com/en-us/learn/guides/magicleap-one-hardware-cradle>, retrieved Jul. 1, 2020.*

Primary Examiner — Jeffrey D Asch
Assistant Examiner — Rebekah A Caruso
(74) *Attorney, Agent, or Firm* — Vista IP Law Group LLP

(57) **CLAIM**

The ornamental design for a cradle for mixed reality device,
as shown and described.

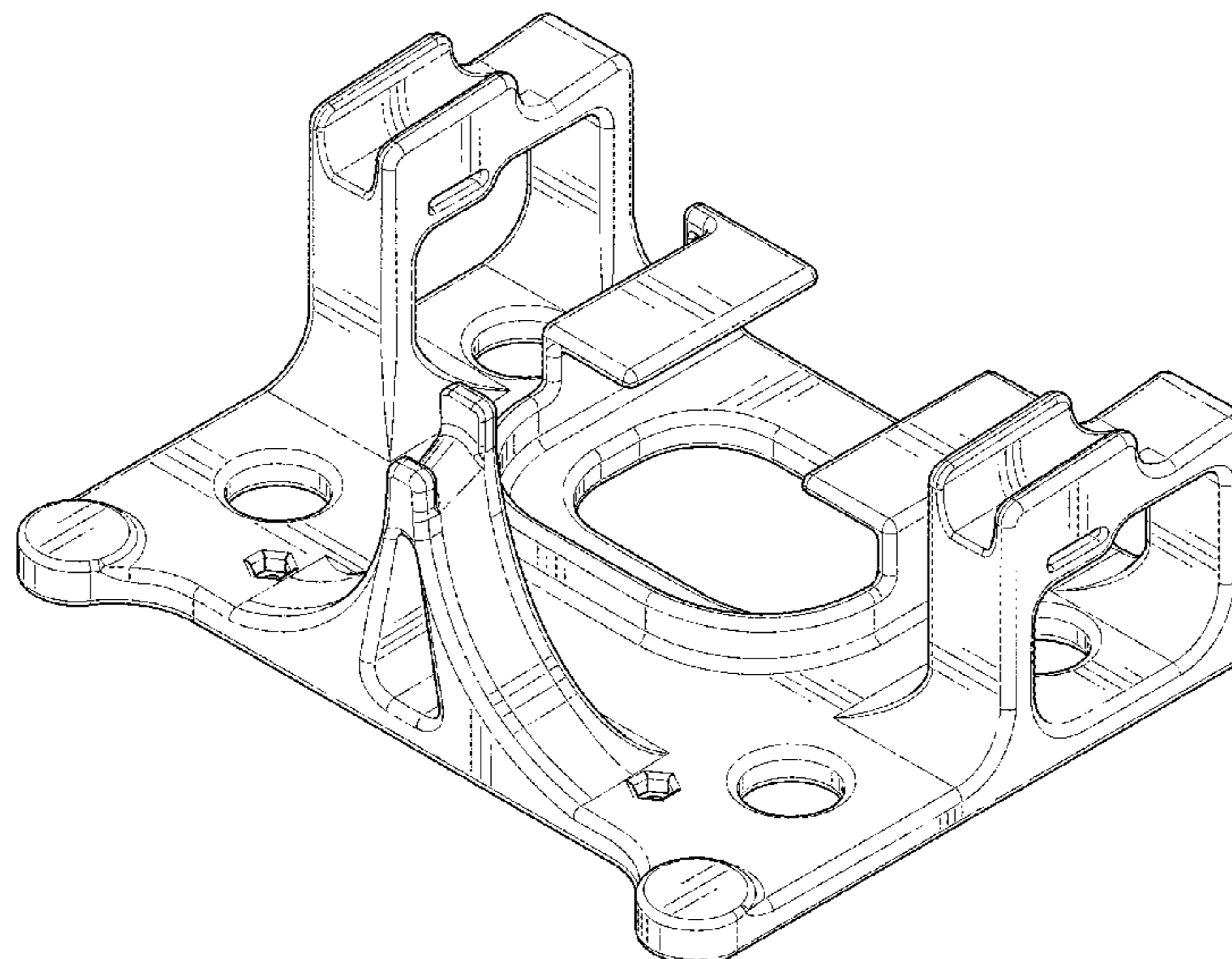
DESCRIPTION

FIG. 1 is a front perspective view of a cradle for mixed reality device showing our design;
FIG. 2 is a rear perspective view thereof;
FIG. 3 is a front view thereof;
FIG. 4 is a rear view thereof;
FIG. 5 is a right view thereof;
FIG. 6 is a left view thereof;
FIG. 7 is a top view thereof; and,
FIG. 8 is a bottom view thereof.

(56) **References Cited**
U.S. PATENT DOCUMENTS

D287,365 S * 12/1986 Judd D14/447
D349,696 S * 8/1994 Hames D14/447

1 Claim, 8 Drawing Sheets



(56)

References Cited

U.S. PATENT DOCUMENTS

D711,890 S *	8/2014	Stener	D14/447
D717,783 S *	11/2014	Gelsomini	D14/253
D765,449 S *	9/2016	Buller	D6/682.3
D784,352 S *	4/2017	Burgess	D14/447
D822,028 S *	7/2018	Hackett	D14/432
D825,576 S *	8/2018	Krupa	D14/447
D827,344 S *	9/2018	Dillon	D6/682
D856,320 S *	8/2019	Li	D14/253
D858,025 S *	8/2019	Beamish	D34/35

* cited by examiner

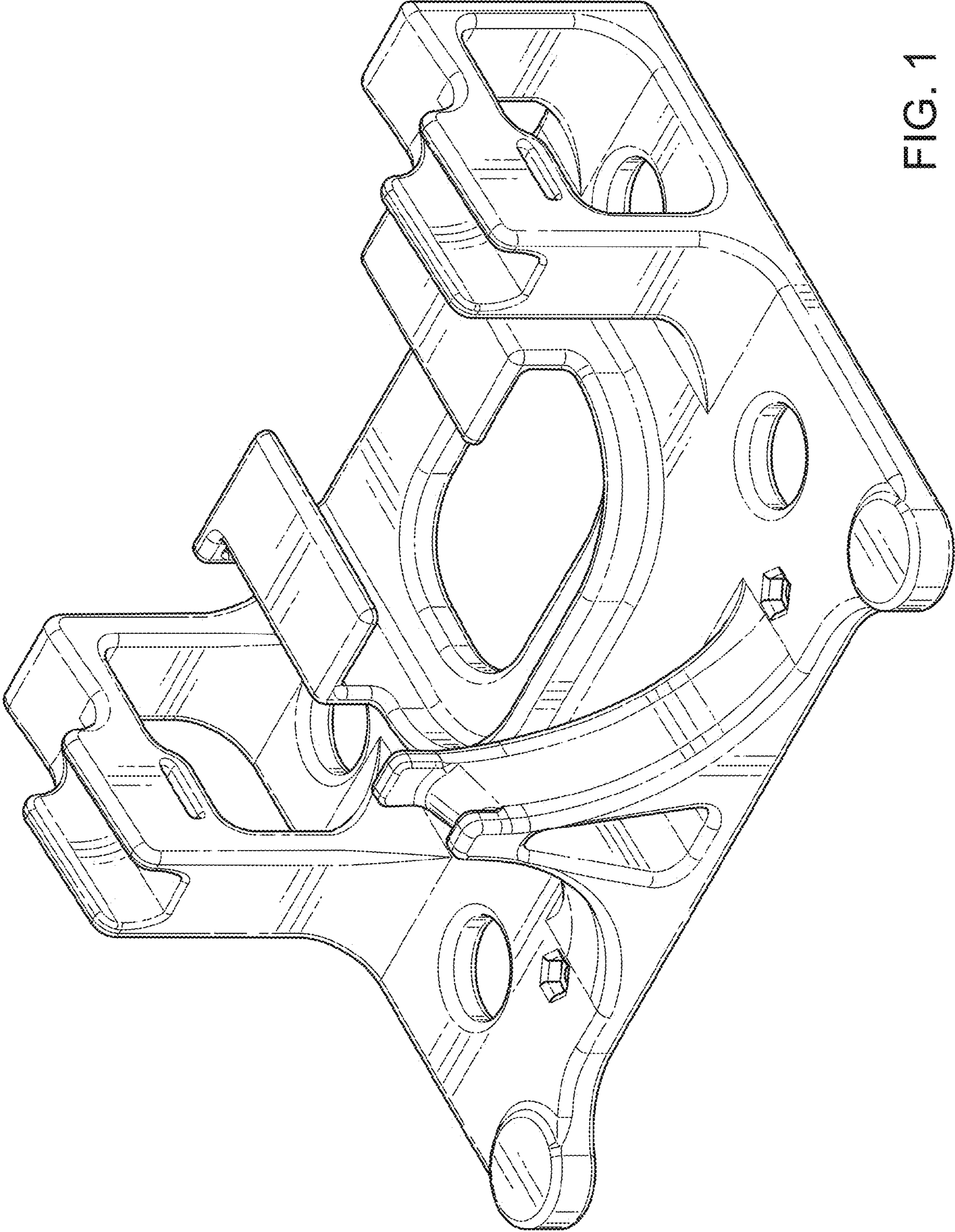


FIG. 1

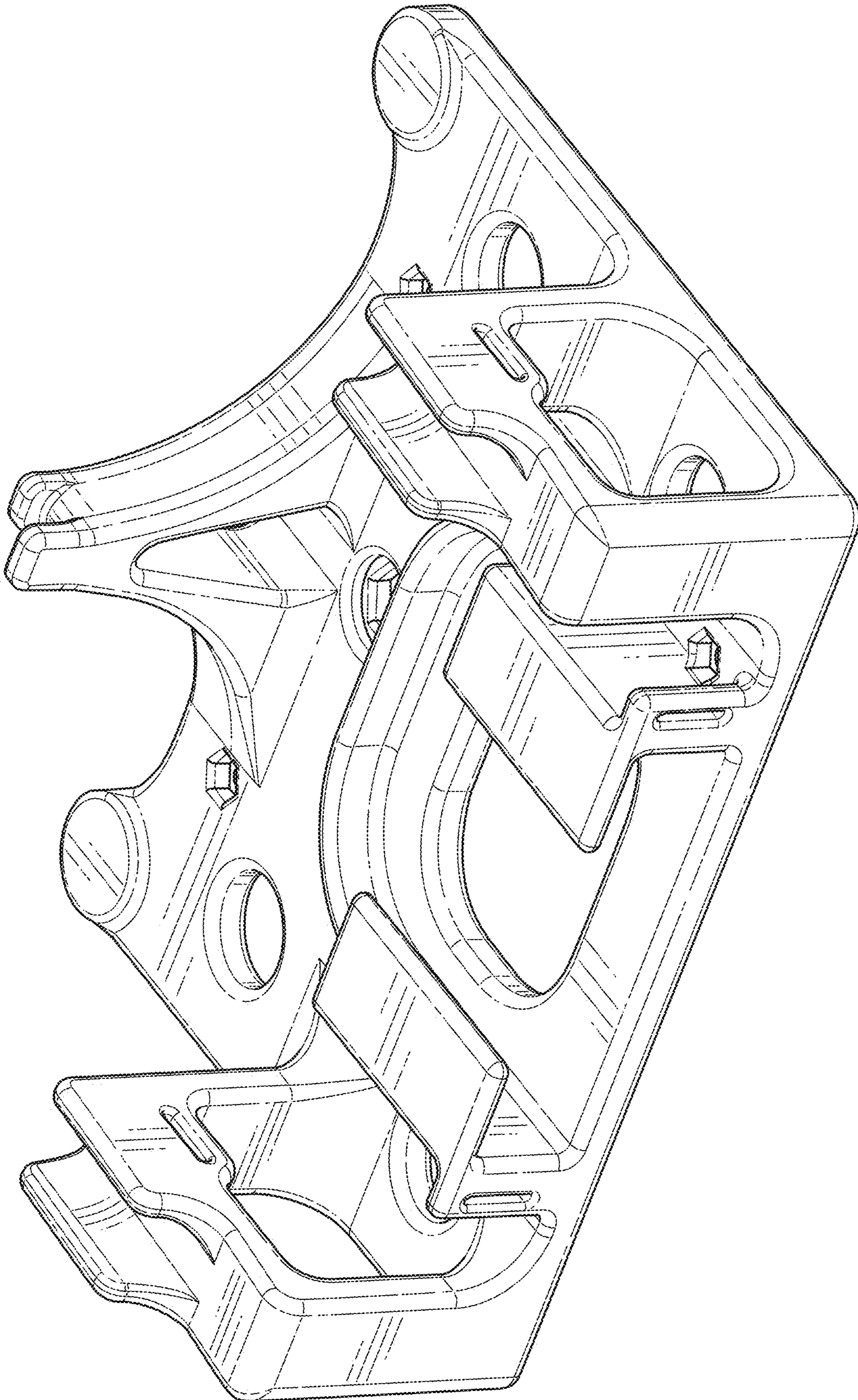


FIG. 2

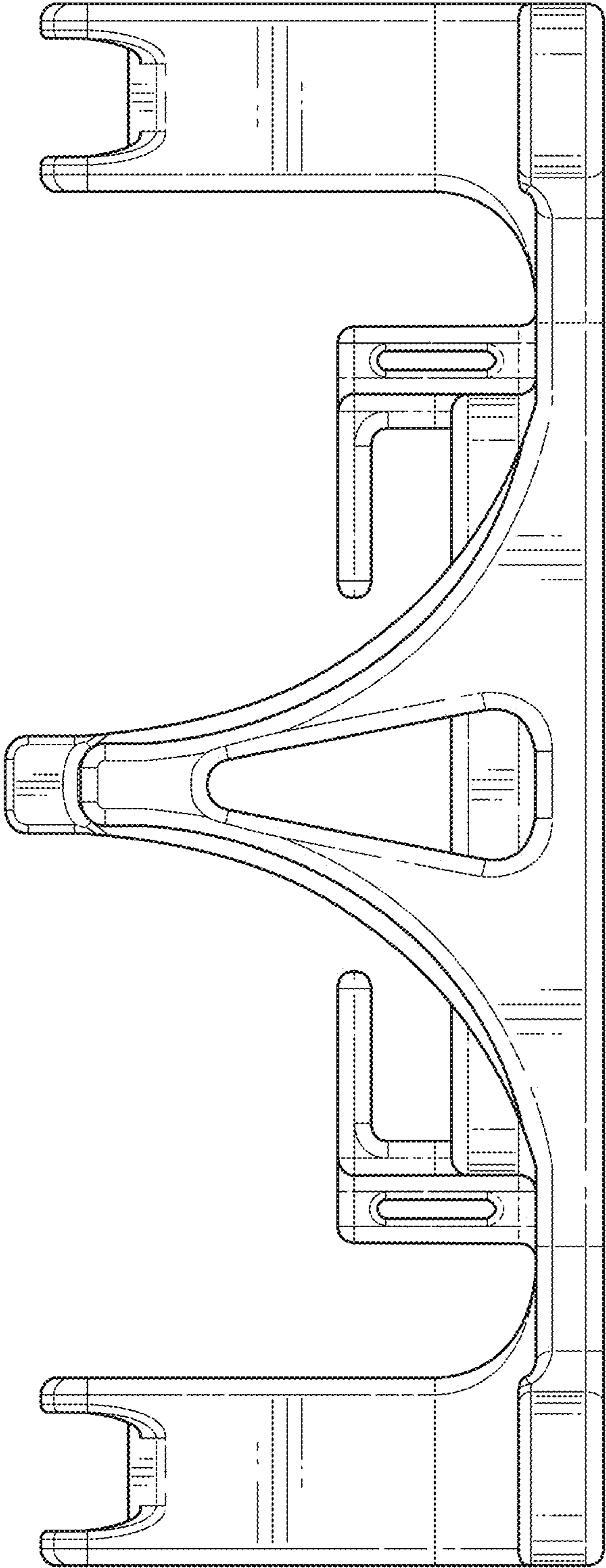


FIG. 3

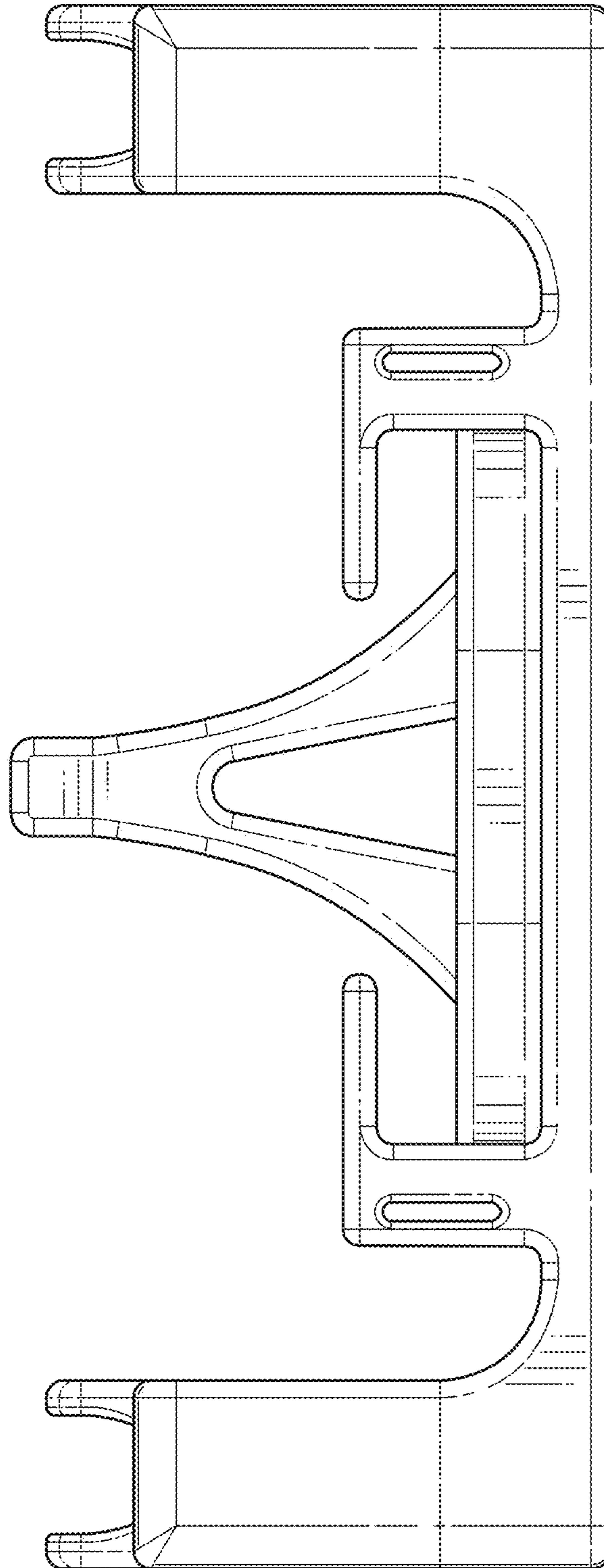


FIG. 4

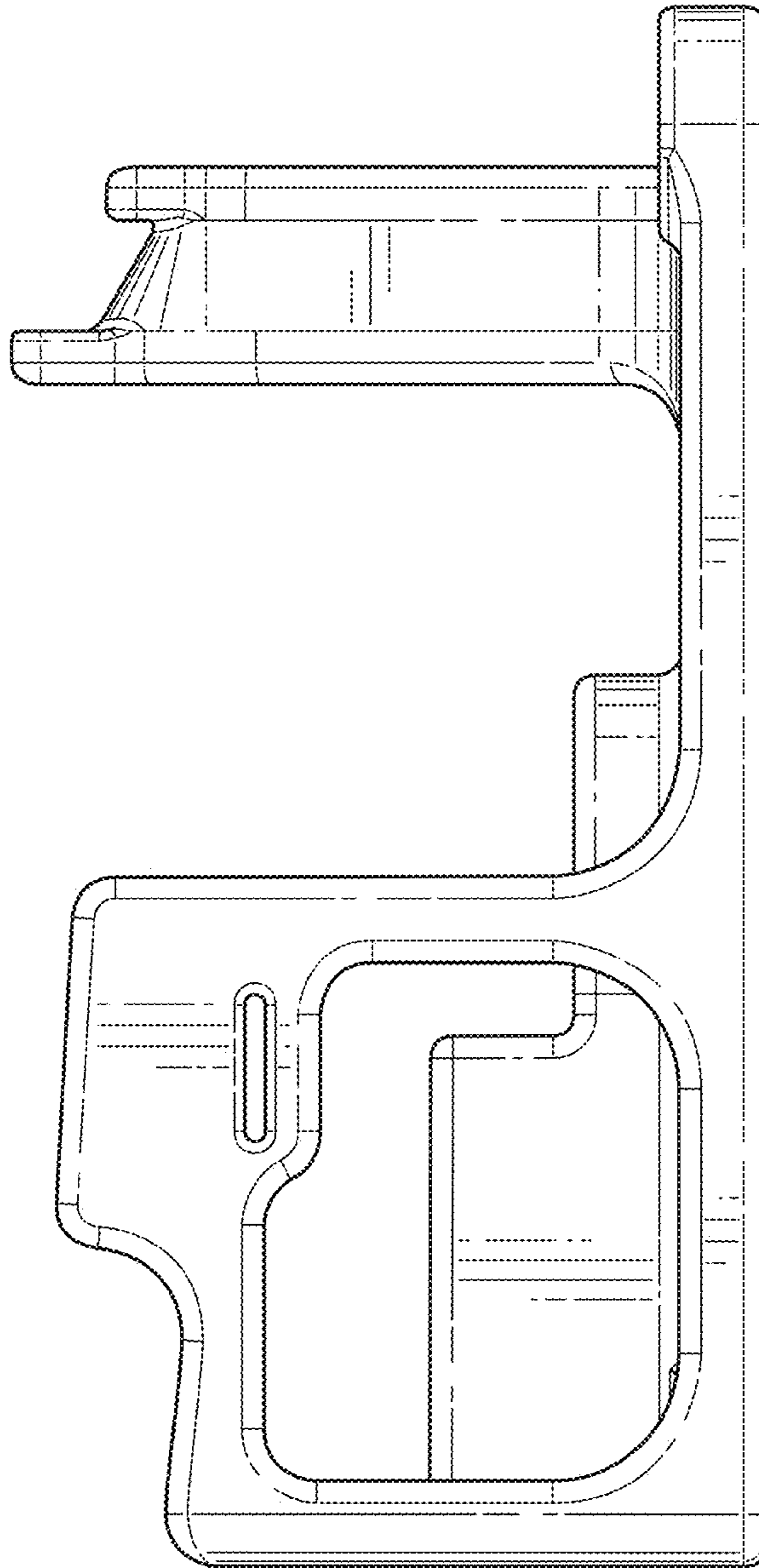


FIG. 5

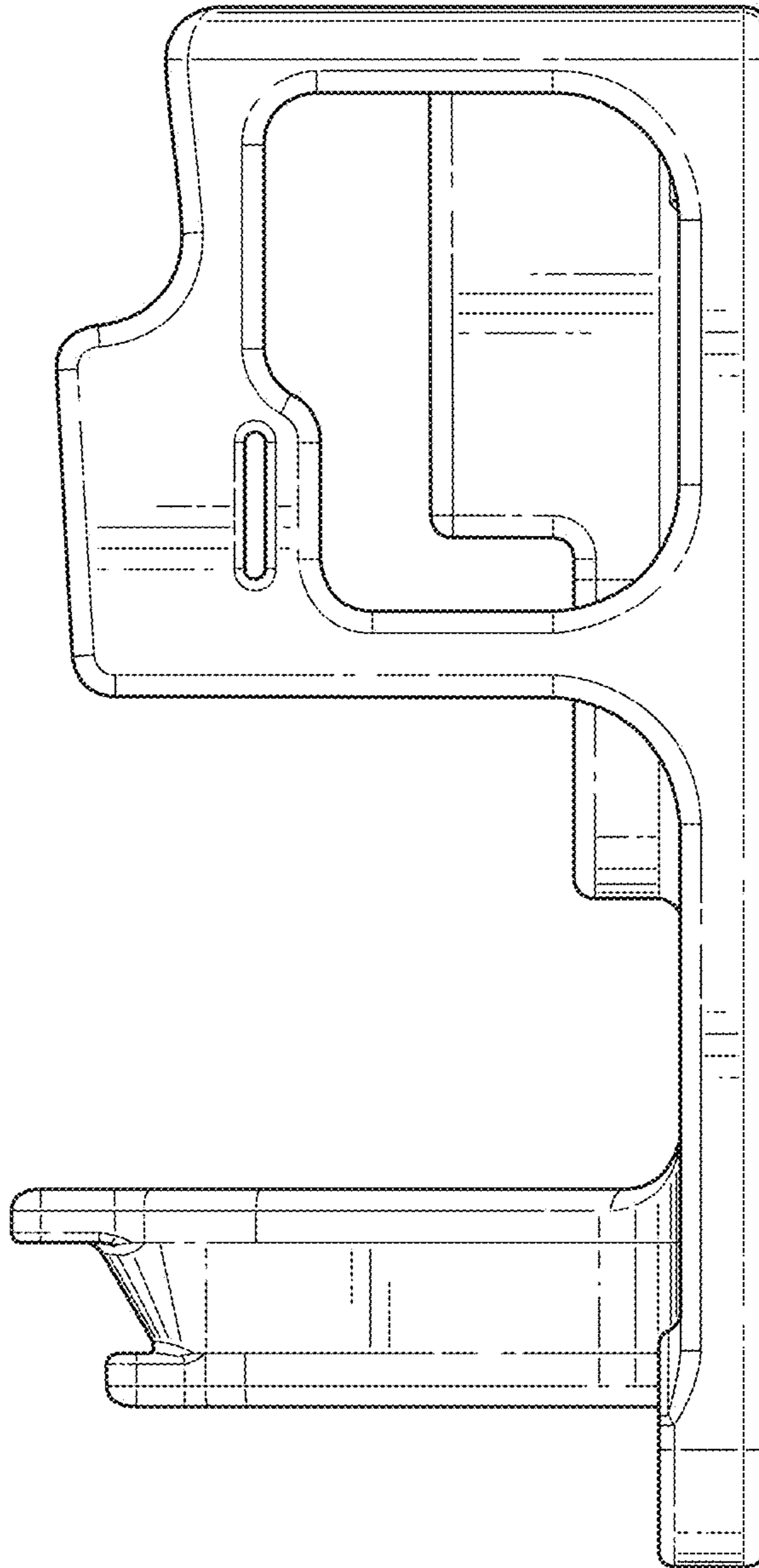


FIG. 6

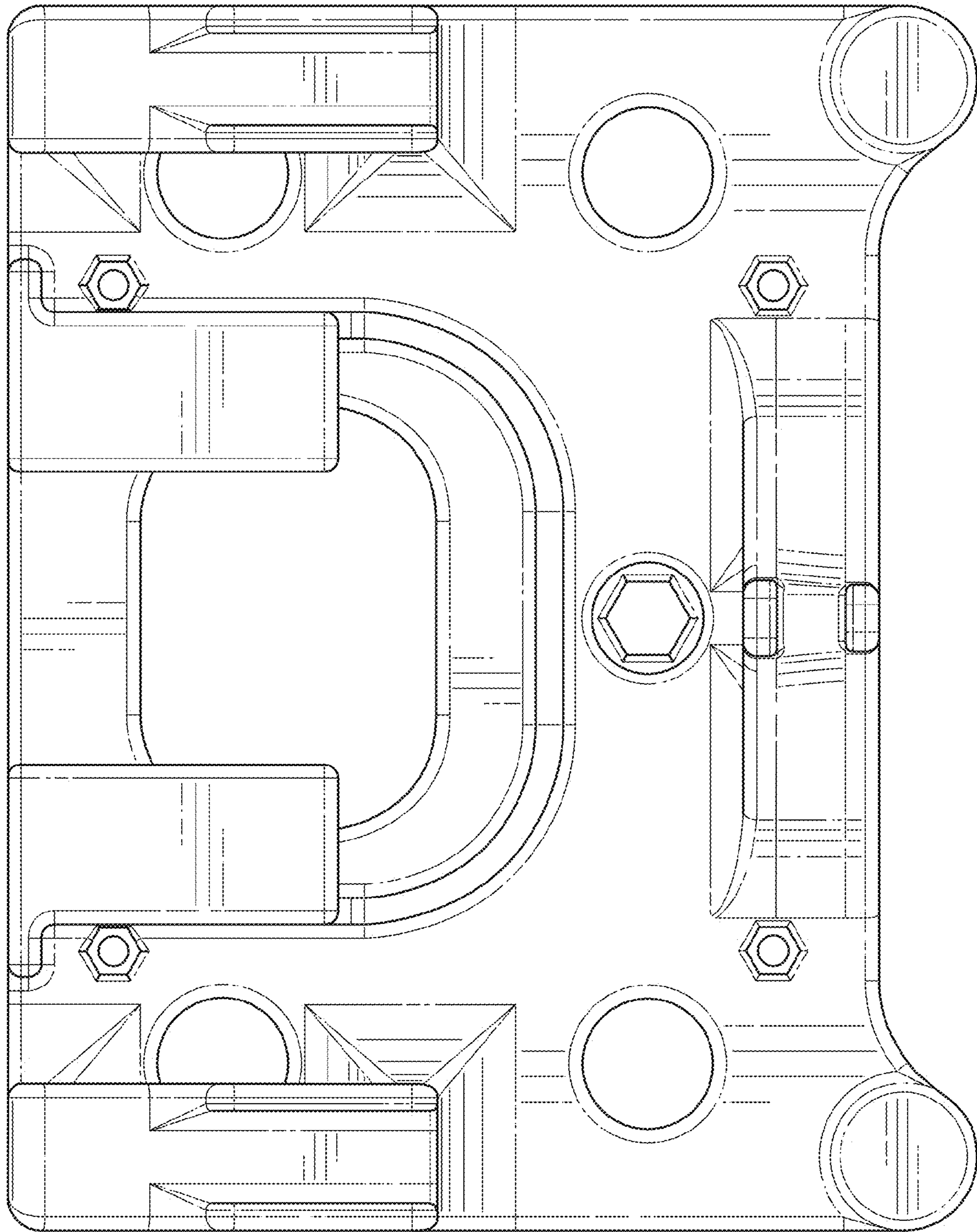


FIG. 7

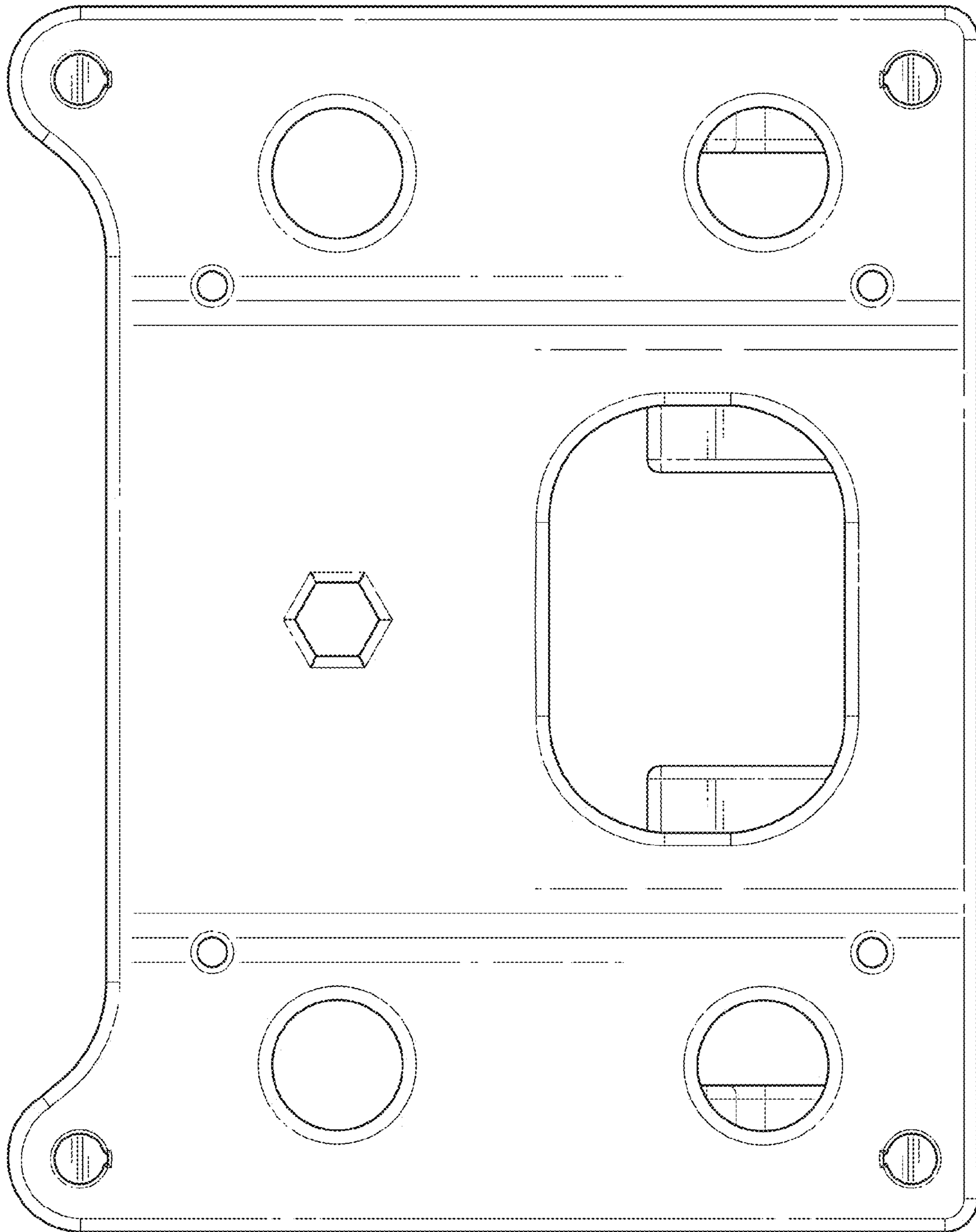


FIG. 8