



US00D921637S

(12) **United States Design Patent** (10) **Patent No.:** **US D921,637 S**
Cheng (45) **Date of Patent:** **** Jun. 8, 2021**

(54) **CASE FOR ELECTRONIC DEVICE WITH PENCIL HOLDER**

(71) Applicant: **Fintie LLC**, Hilliard, OH (US)

(72) Inventor: **Nai Chu Cheng**, Hilliard, OH (US)

(73) Assignee: **Fintie LLC**, Hilliard, OH (US)

(**) Term: **15 Years**

(21) Appl. No.: **29/714,316**

(22) Filed: **Nov. 22, 2019**

(51) **LOC (13) Cl.** **14-02**

(52) **U.S. Cl.**
USPC **D14/440**

(58) **Field of Classification Search**
USPC D14/440, 447, 250; 206/45.23, 320,
206/45.2; 361/679.55; 294/25; 224/218
CPC G06F 1/1628; G06F 1/1626; G06F 1/699;
A47B 23/044; H04B 1/3888
See application file for complete search history.

(56) **References Cited**

U.S. PATENT DOCUMENTS

4,259,568	A	3/1981	Dynesen
5,375,076	A	12/1994	Goodrich et al.
5,383,138	A	1/1995	Motoyama et al.
D385,264	S	10/1997	Schindler et al.
D386,171	S	11/1997	Tague
7,042,712	B2	5/2006	Ghosh et al.
7,281,698	B2	10/2007	Patterson, Jr.
D597,052	S	7/2009	Kim et al.
D611,253	S	3/2010	Lown et al.
D620,001	S	7/2010	Reed
7,925,312	B2	4/2011	Takagi et al.

(Continued)

FOREIGN PATENT DOCUMENTS

CN	2645409	Y	9/2004
JP	2009253232	A	10/2009

OTHER PUBLICATIONS

EU Design Registration No. 002447318-0001, Apple Inc., Registered Apr. 15, 2014.

(Continued)

Primary Examiner — Cynthia R Underwood

(74) *Attorney, Agent, or Firm* — Standley Law Group LLP

(57) **CLAIM**

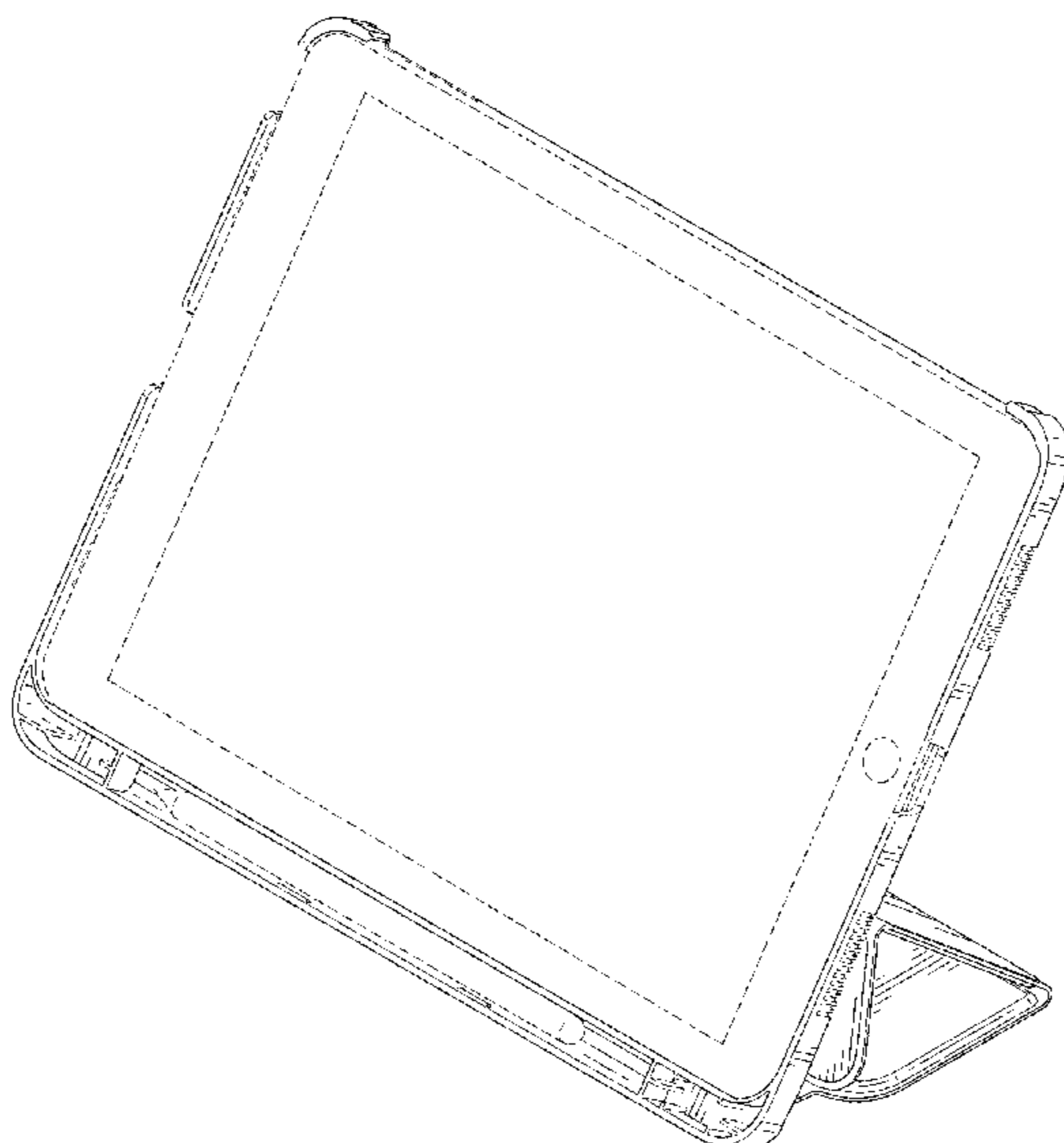
The ornamental design for a case for electronic device with pencil holder, as shown and described.

DESCRIPTION

FIG. 1 is a front perspective view of a case for electronic device with pencil holder shown in a first open position; FIG. 2 is a front elevation view of the FIG. 1 device in the first open position; FIG. 3 is a rear elevation view of the FIG. 1 device in the first open position; FIG. 4 is a right-side elevation view of the FIG. 1 device in the first open position; FIG. 5 is a left-side elevation view of the FIG. 1 device in the first open position; FIG. 6 is a top plan view of the FIG. 1 device in the first open position; FIG. 7 is a bottom plan view of the FIG. 1 device in the first open position; FIG. 8 is a rear perspective view of the FIG. 1 device in the first open position; FIG. 9 is a front perspective view of the FIG. 1 device shown in a second open position; FIG. 10 is a right-side elevation view of the FIG. 1 device in the second open position; and, FIG. 11 is a front perspective view of the FIG. 1 device shown in a closed position.

The broken lines are for illustration only and form no part of the claimed design.

1 Claim, 11 Drawing Sheets



(56)

References Cited

U.S. PATENT DOCUMENTS

D645,251 S	9/2011	Lee		9,489,054 B1	11/2016	Sumsion	
D649,144 S	11/2011	Fathollahi		D773,470 S	12/2016	Akana	
8,230,992 B2	7/2012	Law et al.		D779,485 S	2/2017	Akana	
D667,831 S	9/2012	Stravitz		9,578,941 B2	2/2017	MacLachlan	
D668,661 S	10/2012	Norfolk		D784,350 S	4/2017	Li	
8,282,060 B2	10/2012	Fan		D786,853 S	5/2017	Friedland	
D672,353 S	12/2012	Liu		D787,497 S	5/2017	Friedland	
D676,448 S	2/2013	Gorman et al.		D789,342 S	6/2017	Sirichai	
D676,449 S	2/2013	Probst et al.		D789,937 S	6/2017	Zhang	
8,382,059 B2	2/2013	Le Gette et al.		D792,887 S	7/2017	Zhang	
D677,668 S	3/2013	Phillips et al.		D794,626 S	8/2017	Armstrong	
D678,886 S	3/2013	Heckler		D795,264 S	8/2017	Wright et al.	
D681,951 S	5/2013	Phillips et al.		9,717,314 B2	8/2017	Idehara	
D682,839 S	5/2013	Sampson et al.		D803,222 S	11/2017	Cheng	
8,434,601 B2 *	5/2013	Hou	A47B 23/043 190/1	D806,082 S	12/2017	Armstrong	
D685,358 S	7/2013	Armstrong		D807,363 S	1/2018	Hallier	
D685,786 S	7/2013	Seoc		D807,365 S	1/2018	Liu	
D689,056 S	9/2013	Li		D807,892 S	1/2018	Wang	
D690,704 S	10/2013	Padilla et al.		D808,394 S	1/2018	Lakraa	
D691,144 S	10/2013	Peters et al.		D808,395 S	1/2018	Fenton	
D694,246 S	11/2013	Park et al.		D811,390 S	2/2018	Kim	
D694,759 S	12/2013	Chang		D811,411 S	2/2018	Moore	
D696,256 S	12/2013	Piedra		D819,038 S	5/2018	Diebel	
D696,669 S	12/2013	Akana		D819,603 S	6/2018	Pearce	
D696,864 S	1/2014	Phillips et al.		D820,839 S	6/2018	Akana	
D700,611 S	3/2014	Boldetti		D822,675 S	7/2018	Zhu	
D703,672 S	4/2014	Kim et al.		D825,571 S	8/2018	Shannon, III	
D706,783 S	6/2014	Almodova		D829,722 S	10/2018	Kim	
8,746,449 B2	6/2014	Gallagher et al.		D832,269 S	10/2018	Cheng	
D709,509 S	7/2014	Kim		D832,270 S	10/2018	Cheng	
8,766,921 B2 *	7/2014	Ballagas	G06F 1/1632 345/168	D832,271 S	10/2018	Cheng	
8,783,458 B2	7/2014	Gallagher et al.		10,117,505 B1	11/2018	Alvarez	
D711,886 S	8/2014	Kerawala et al.		10,139,861 B2	11/2018	Gallagher et al.	
8,800,937 B1	8/2014	Lee et al.		D837,219 S *	1/2019	Gao	D14/440
D712,412 S	9/2014	Bleau et al.		D845,305 S *	4/2019	Xu	D14/440
D712,413 S	9/2014	Fukai		D846,550 S *	4/2019	Feng	D14/440
D715,052 S	10/2014	Fair		D846,551 S *	4/2019	Feng	D14/440
D715,785 S	10/2014	Jacob		D846,552 S *	4/2019	Feng	D14/440
D719,169 S	12/2014	McBroom		D846,553 S *	4/2019	Feng	D14/440
D720,355 S	12/2014	Akana et al.		D848,409 S *	5/2019	Feng	D14/250
8,905,231 B2	12/2014	Couch, III		D848,410 S	5/2019	Schiro	
D722,057 S	2/2015	Schoenith et al.		D850,455 S	6/2019	Cheng	
8,960,421 B1	2/2015	Diebel		D851,649 S	6/2019	Tan	
D723,568 S	3/2015	Kim		D857,023 S *	8/2019	Hyun	D14/440
D724,090 S	3/2015	Kim		10,389,398 B1 *	8/2019	Garcia	A45C 13/005
D724,092 S *	3/2015	Zangari	D14/440	D868,071 S	11/2019	Liu	
D727,916 S *	4/2015	Melmon	D14/440	D868,072 S *	11/2019	Lei	D14/440
D727,917 S	4/2015	Yeo		D868,788 S *	12/2019	Weng	D14/440
D727,919 S	4/2015	Melmon et al.		D870,116 S	12/2019	Lei	
D729,252 S	5/2015	Smith et al.		D871,415 S	12/2019	Lin	
D729,253 S	5/2015	Nyholm		D872,093 S *	1/2020	Xu	D14/440
D729,256 S	5/2015	Feng		D874,466 S *	2/2020	Lei	D14/440
D733,150 S	6/2015	Sirichai		D881,895 S	4/2020	Liu	
D733,152 S	6/2015	Sirichai		D883,986 S	5/2020	Akana et al.	
D734,340 S	7/2015	Kim		D883,989 S	5/2020	Cheng	
9,095,194 B2 *	8/2015	Hassett	A45C 11/00	D884,710 S	5/2020	Hyun	
9,170,611 B2	10/2015	Gallagher et al.		D885,399 S	5/2020	Chen	
D743,170 S	11/2015	Akana et al.		D887,415 S	6/2020	Claudepierre et al.	
D744,489 S	12/2015	Sirichai		D888,718 S	6/2020	Xu	
D744,492 S	12/2015	Lin		D888,719 S	6/2020	Moore	
9,227,763 B2	1/2016	Gengler		D889,474 S	7/2020	Akana et al.	
D749,069 S	2/2016	Senoff		D892,126 S *	8/2020	Kim	D14/440
D749,083 S	2/2016	Senoff		D892,128 S *	8/2020	Chen	D14/440
D750,089 S	2/2016	Langhein		D892,803 S *	8/2020	Armstrong	D14/440
D750,632 S	3/2016	Diebel		D893,497 S	8/2020	Li	
D752,052 S	3/2016	Park		D897,346 S	9/2020	Claudepierre et al.	
D752,593 S	3/2016	Diebel		D900,114 S	10/2020	Tang	
D753,648 S	4/2016	Shyu		D901,512 S	11/2020	Chen	
9,307,062 B2	4/2016	Kim		D903,684 S	12/2020	Lee et al.	
D764,472 S	8/2016	Corcoran		D906,340 S	12/2020	Akana et al.	
D765,662 S	9/2016	Kang		D907,044 S *	1/2021	Cheng	D14/440
D770,458 S	11/2016	Corcoran		D909,391 S	2/2021	Cheng	
D772,880 S	11/2016	Corcoran		D910,641 S	2/2021	Wu	
				D912,060 S	3/2021	Zhu	
				D912,063 S	3/2021	Yan	
				D913,293 S	3/2021	Feng	
				2001/0009500 A1	7/2001	Selker	
				2003/0213886 A1	11/2003	Gilbert	
				2005/0213298 A1	9/2005	Doherty et al.	

(56)

References Cited

U.S. PATENT DOCUMENTS

2007/0057140 A1 3/2007 Liou
 2007/0177344 A1 8/2007 Hsia
 2007/0254729 A1 11/2007 Freund
 2008/0029412 A1* 2/2008 Ho F16M 11/2014
 206/320
 2008/0167095 A1 7/2008 Kim
 2009/0017883 A1 1/2009 Lin
 2009/0159763 A1 6/2009 Kim
 2009/0178938 A1 7/2009 Palmer
 2009/0194209 A1 8/2009 De Fiilippis
 2009/0201254 A1 8/2009 Rais
 2010/0230301 A1 9/2010 Fellig
 2010/0294909 A1 11/2010 Hauser
 2010/0300909 A1 12/2010 Hung
 2011/0227463 A1 9/2011 Hou
 2011/0266194 A1* 11/2011 Bau A45C 11/00
 206/736
 2011/0284599 A1 11/2011 Sternick
 2011/0290687 A1 12/2011 Plan
 2011/0297566 A1 12/2011 Gallagher
 2012/0012483 A1 1/2012 Fan
 2012/0044638 A1* 2/2012 Mongan A45C 11/00
 361/679.55
 2012/0075799 A1 3/2012 Pollex
 2012/0140396 A1 6/2012 Zeliff
 2012/0194448 A1 8/2012 Rothkopf
 2013/0088431 A1 4/2013 Ballagas et al.
 2013/0140194 A1 6/2013 Plan
 2013/0223005 A1 8/2013 Smith et al.
 2013/0233762 A1 9/2013 Balaji
 2013/0264459 A1 10/2013 McCosh
 2014/0139989 A1 5/2014 Mod et al.
 2014/0274215 A1 9/2014 Del Toro et al.
 2014/0291175 A1 10/2014 Chung

2014/0291177 A1 10/2014 Ko et al.
 2015/0001105 A1 1/2015 Nyholm et al.
 2015/0041341 A1 2/2015 Marshall et al.
 2015/0065208 A1 3/2015 Balaji et al.
 2015/0083615 A1* 3/2015 Lay F16M 11/38
 206/45.24
 2015/0151887 A1 6/2015 Huang
 2015/0237979 A1 8/2015 Huang
 2015/0263776 A1 9/2015 Shyu
 2015/0266610 A1 9/2015 Melmon et al.
 2015/0280768 A1 10/2015 Huang
 2015/0282354 A1 10/2015 Spollen et al.
 2015/0293601 A1 10/2015 Gu
 2015/0296060 A1 10/2015 Gu
 2015/0296068 A1 10/2015 Chin
 2016/0011628 A1 1/2016 Sato
 2016/0018854 A1 1/2016 Yu et al.
 2016/0187937 A1 6/2016 Ahee

OTHER PUBLICATIONS

EU Design Registration No. 002447318-0002, Apple Inc., Registered Apr. 15, 2014.
 EU Design Registration No. 002447318-0003, Apple Inc., Registered Apr. 15, 2014.
 EU Design Registration No. 002447318-0004, Apple Inc., Registered Apr. 15, 2014.
 Axis Case for iPad from Javo Edge Intl. LLC, at least as early as Jul. 8, 2010.
 JAVOedge Axis iPad Case for the iPad, JAVOedge, Jul. 8, 2010, youtube.com.
 JAVOedge Fiber Axis iPad Case Review, Pat David, Aug. 13, 2010, patdavid.net.
 Nanovision MIMO 710-S USB LCD display gets folding travel case/stand, Chris Davies, Aug. 4, 2009, slashgear.com.

* cited by examiner

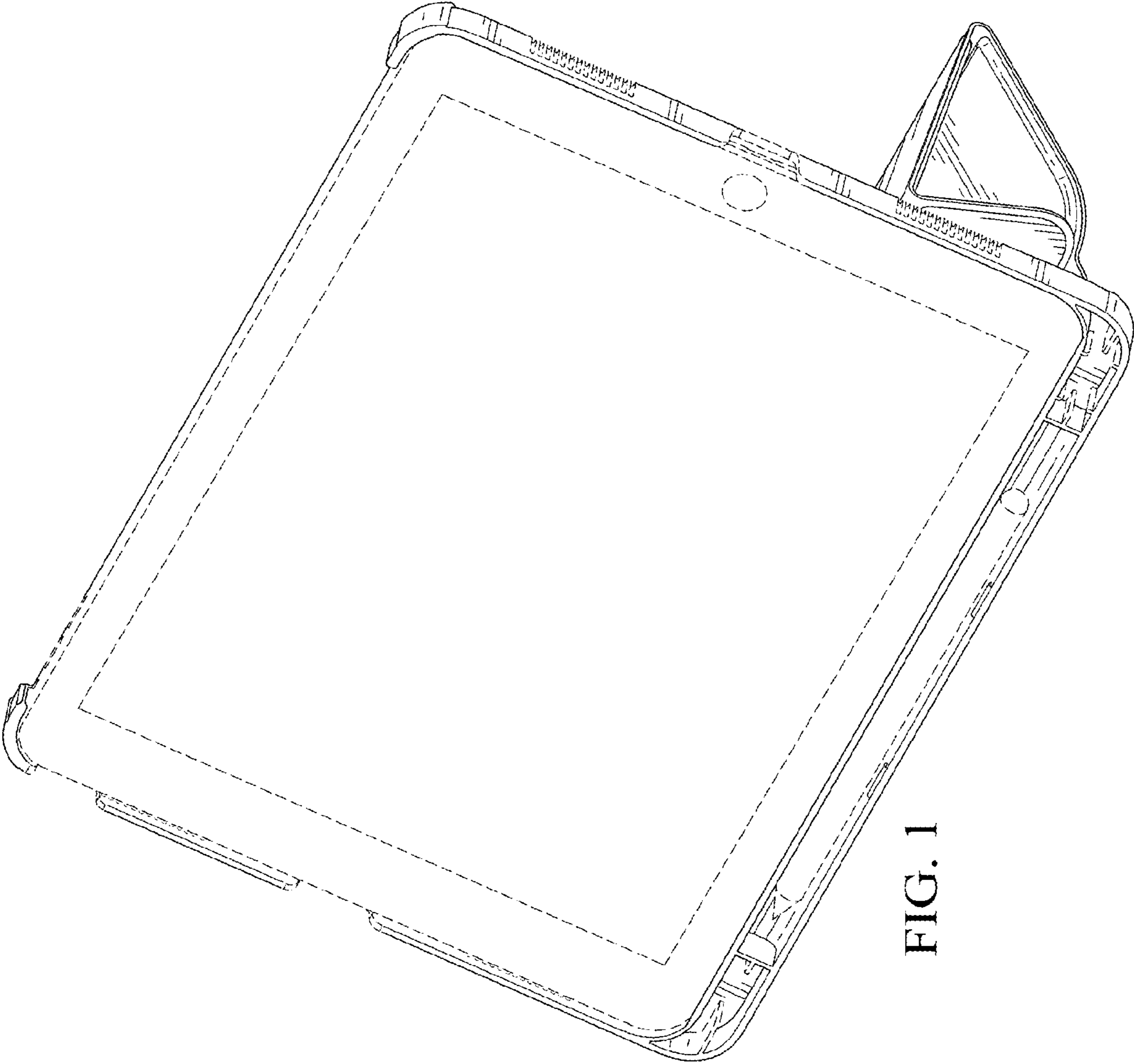


FIG. 1

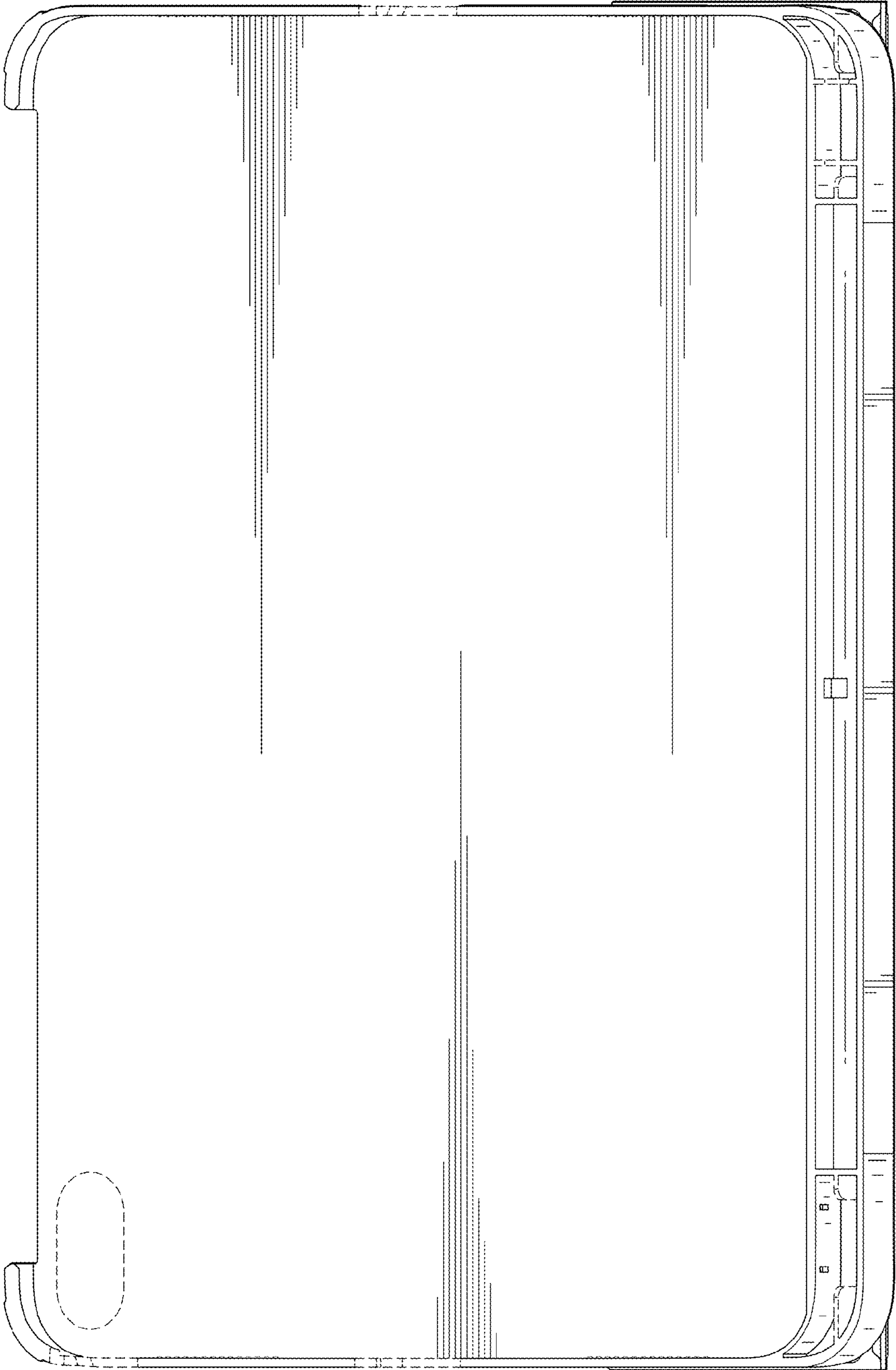


FIG. 2

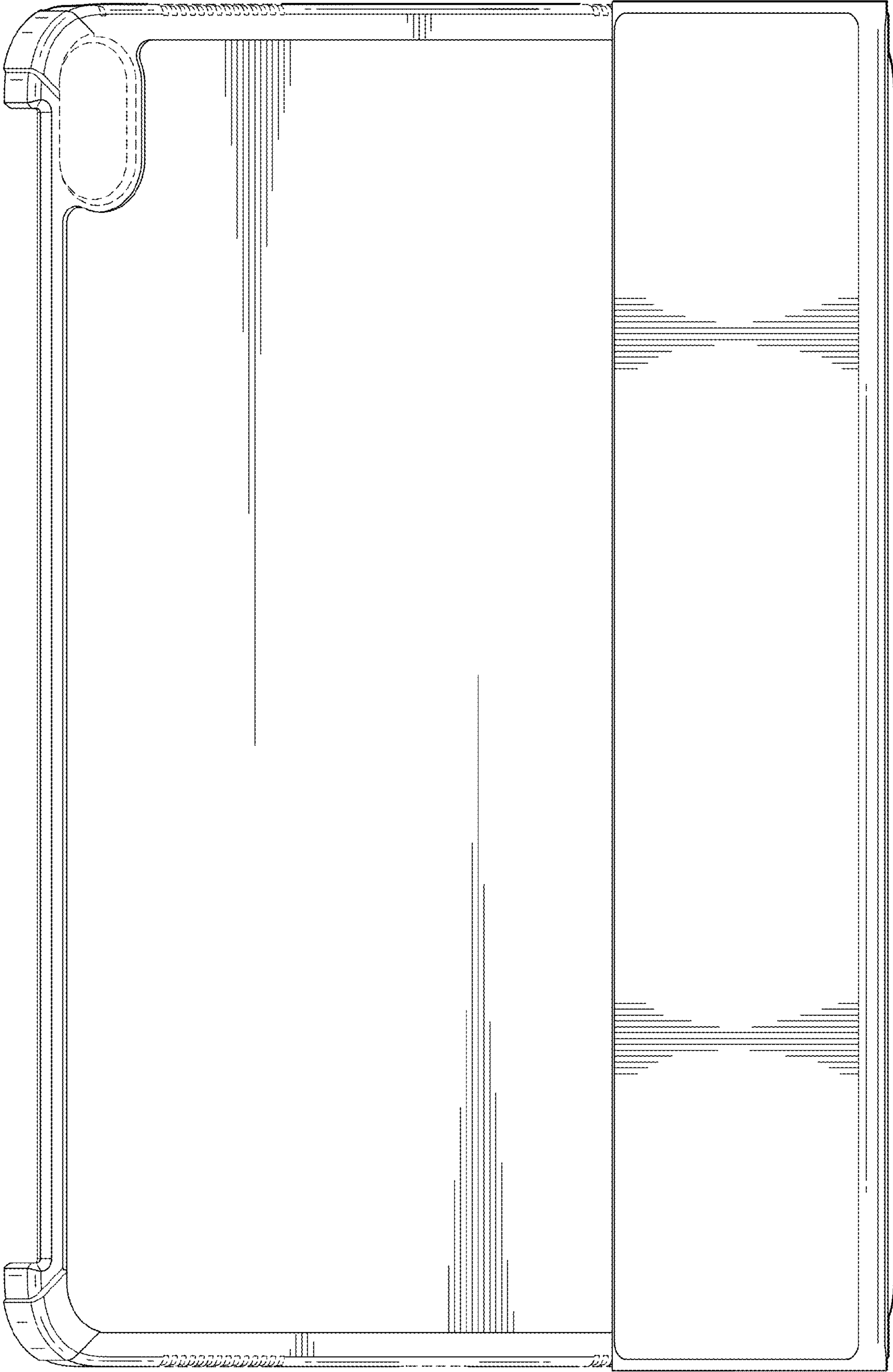


FIG. 3

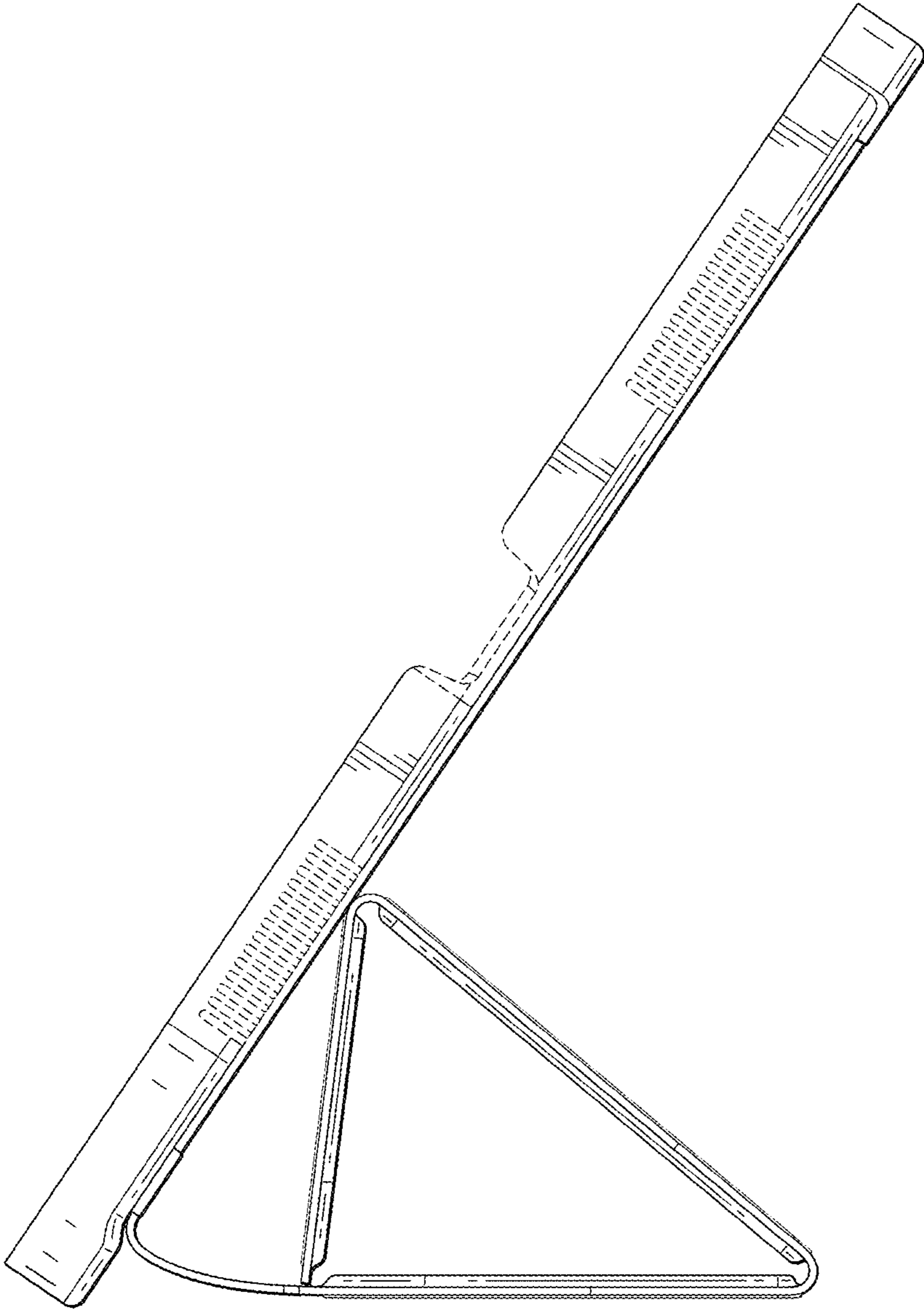


FIG. 4

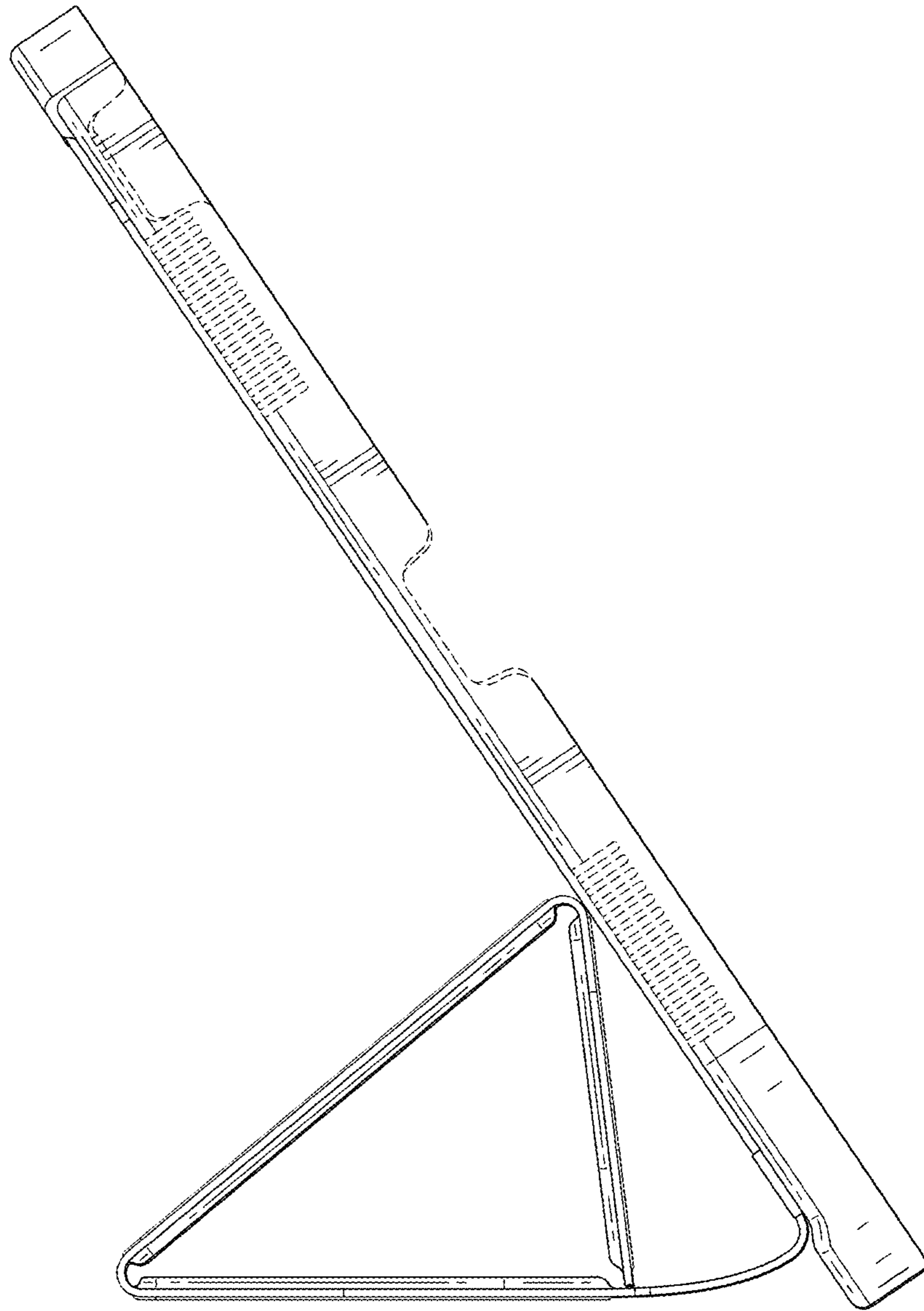


FIG. 5

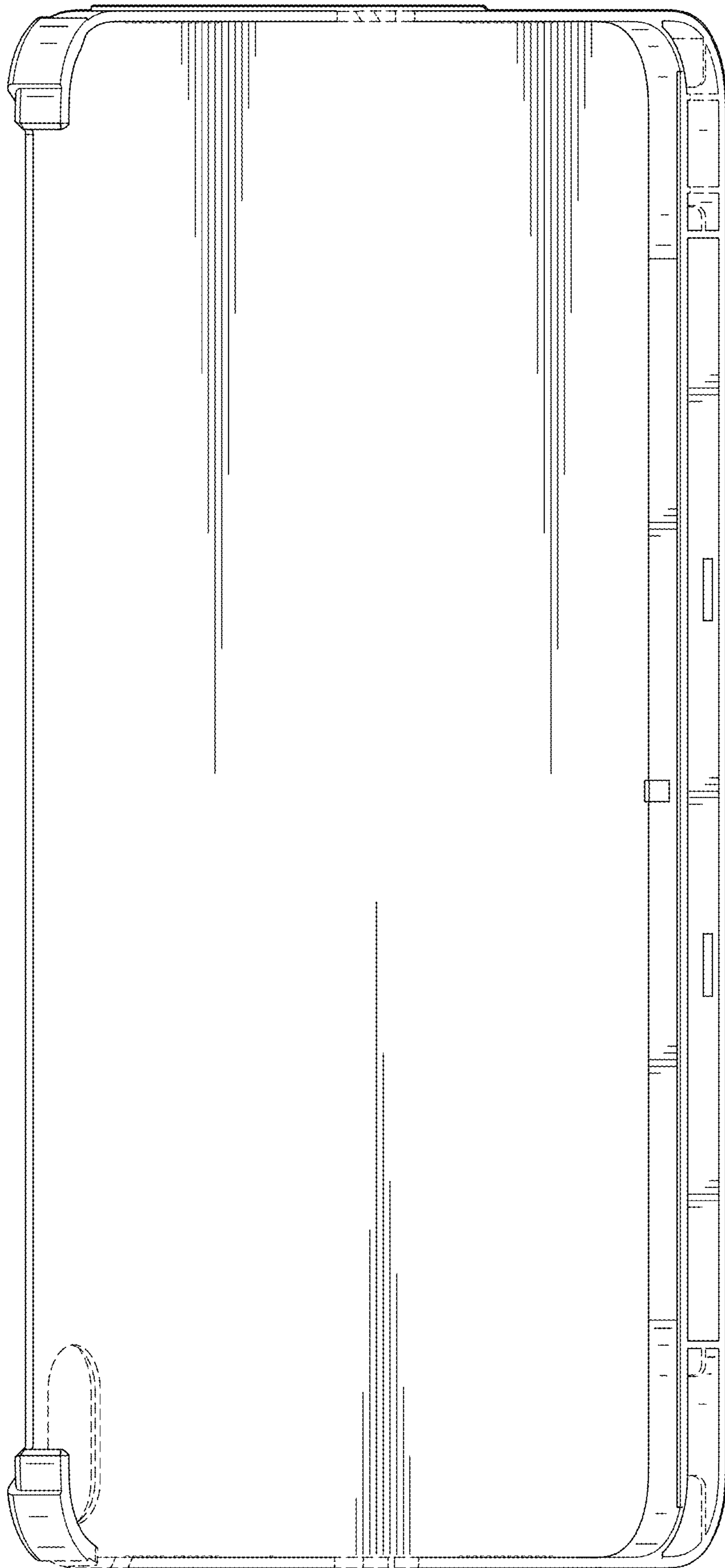


FIG. 6

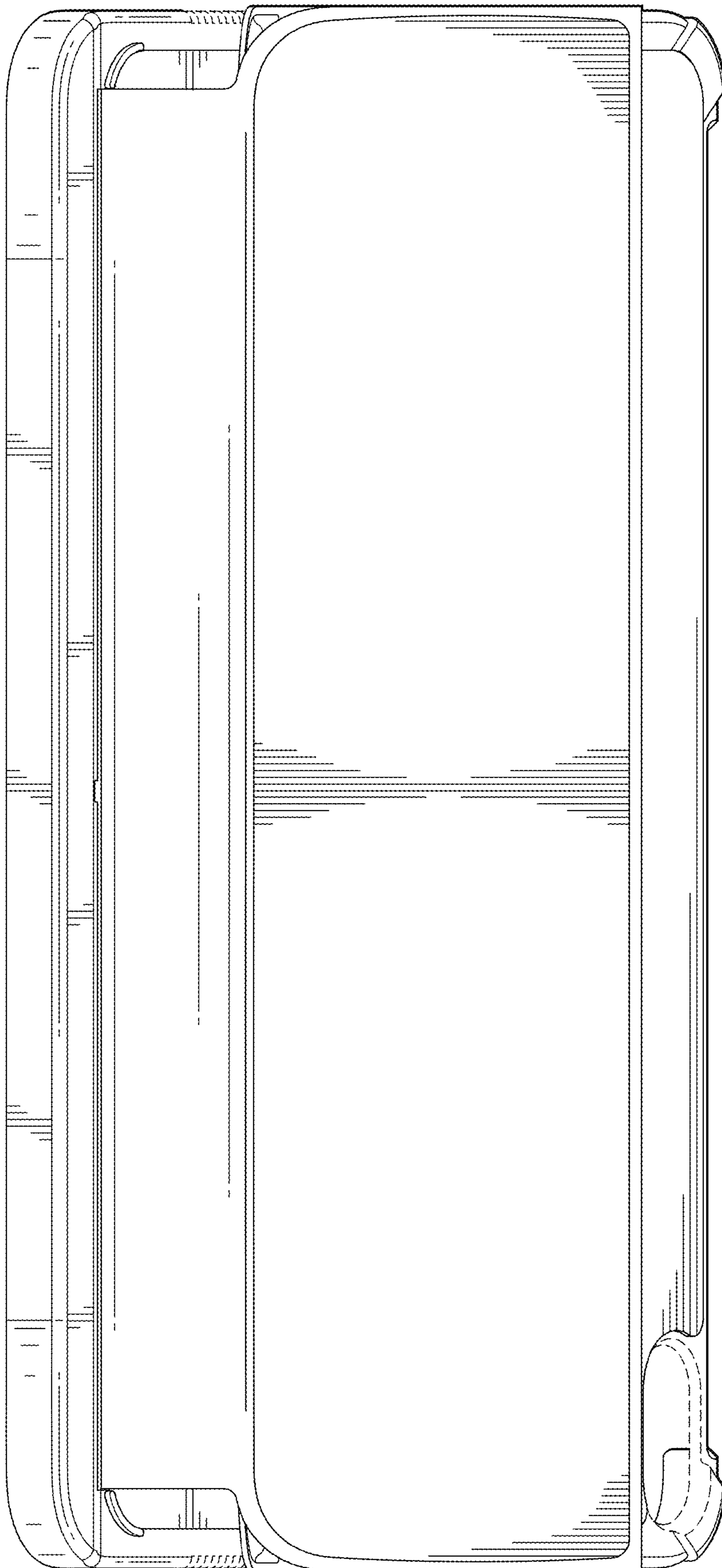


FIG. 7

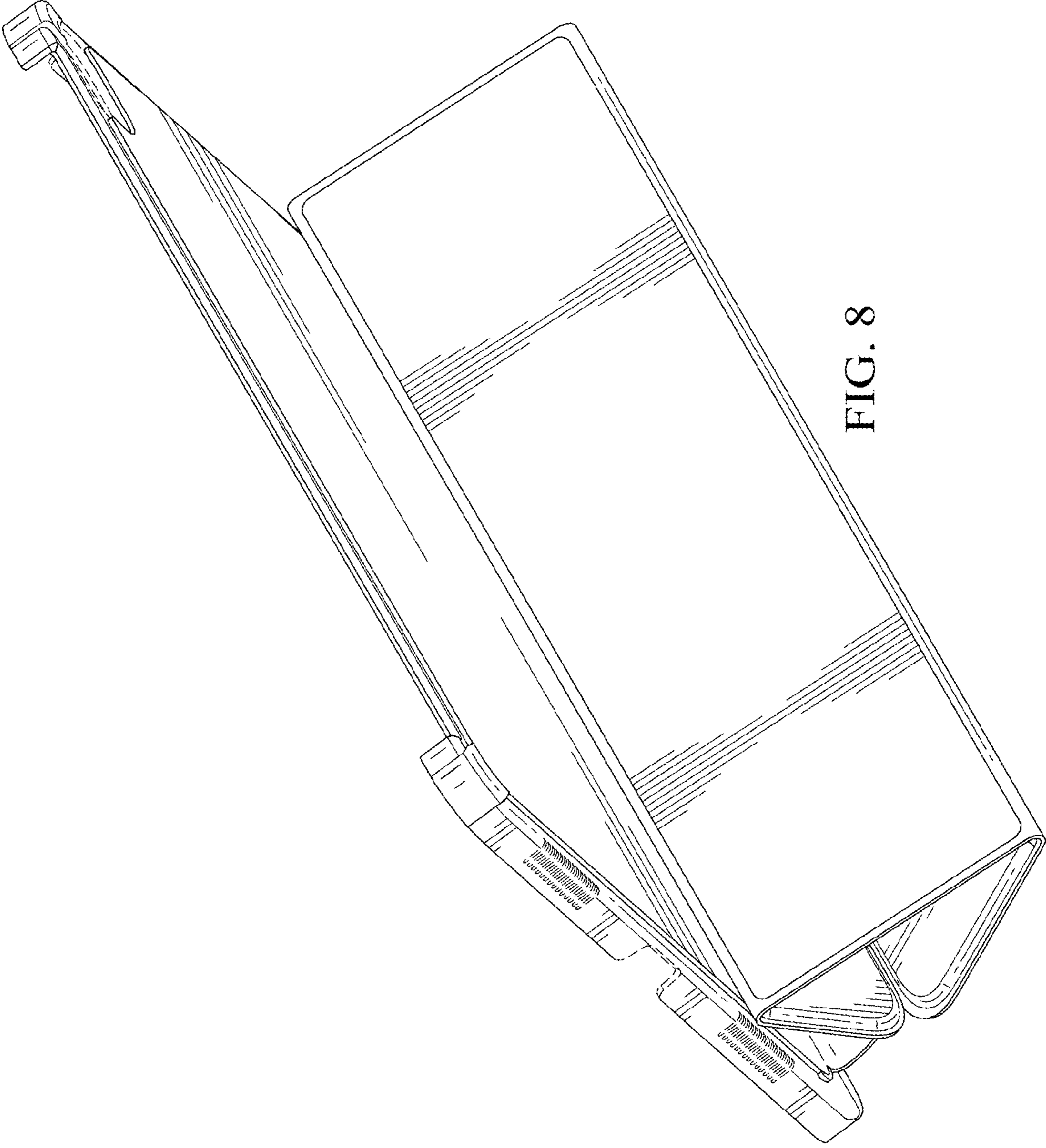


FIG. 8

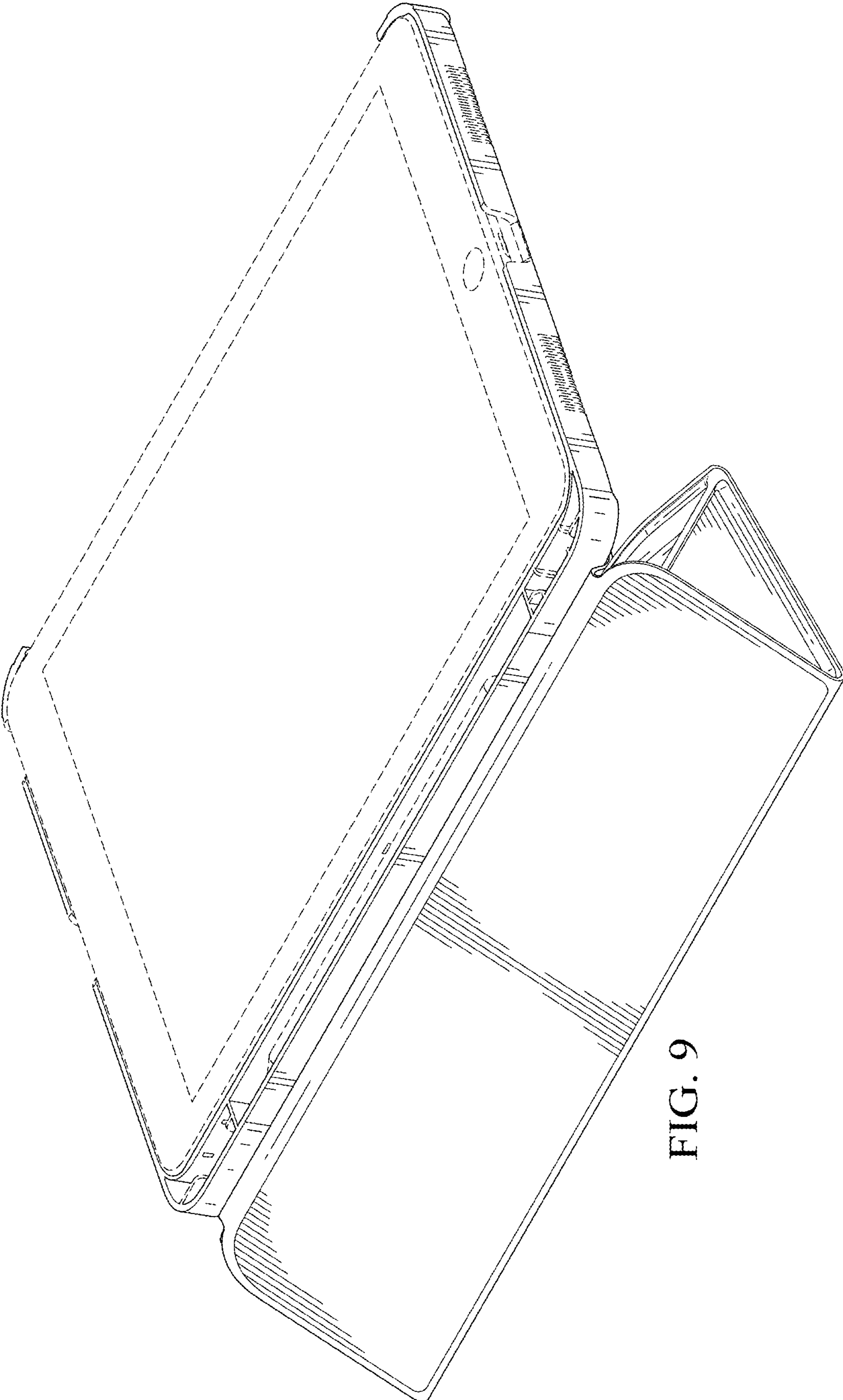


FIG. 9

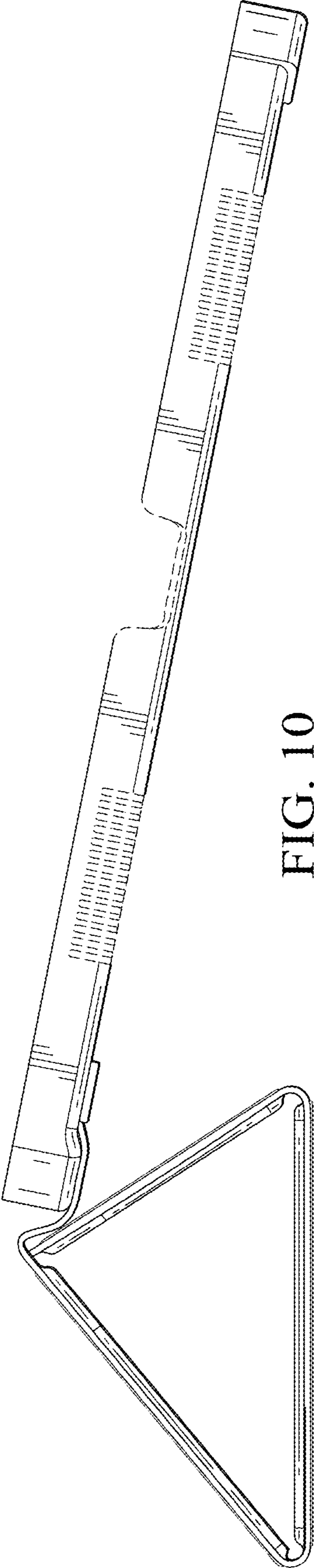


FIG. 10

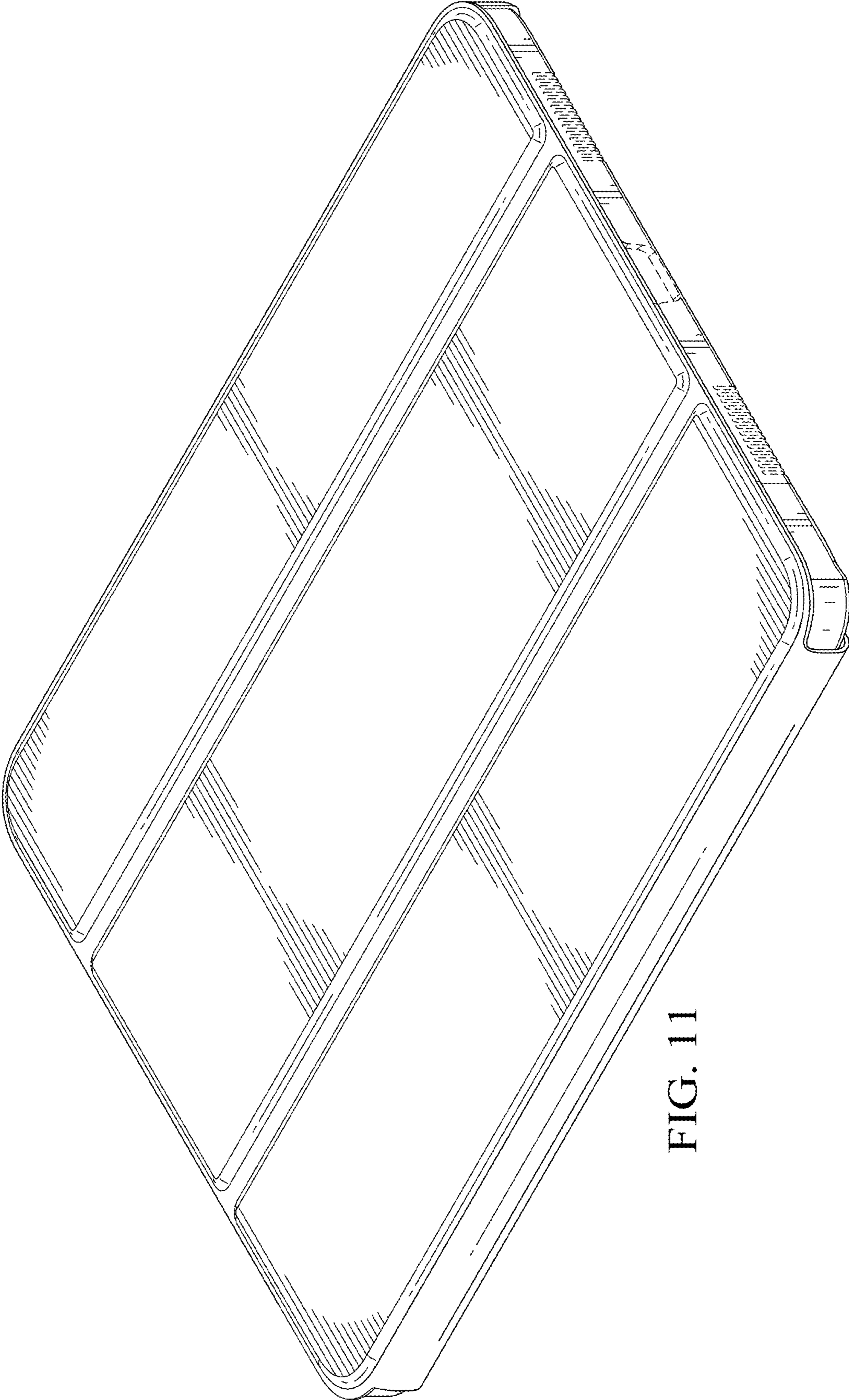


FIG. 11