

US00D921636S

(12) **United States Design Patent**  
**Pearce**

(10) **Patent No.:** **US D921,636 S**

(45) **Date of Patent:** **\*\* Jun. 8, 2021**

(54) **PROTECTIVE CASE FOR TABLET COMPUTER**

(71) Applicant: **Joseph Pearce**, Newport Coast, CA (US)

(72) Inventor: **Joseph Pearce**, Newport Coast, CA (US)

(\*\*) Term: **15 Years**

(21) Appl. No.: **29/709,058**

(22) Filed: **Oct. 10, 2019**

(30) **Foreign Application Priority Data**

Jun. 4, 2019 (CN) ..... 201930285519.2

(51) **LOC (13) Cl.** ..... **14-02**

(52) **U.S. Cl.**  
USPC ..... **D14/440**

(58) **Field of Classification Search**  
USPC ..... D14/440, 447, 250; 206/45.23, 320, 206/45.2; 361/679.55; 294/25; 224/218  
CPC ..... G06F 1/1628; G06F 1/1626; G06F 1/699; A47B 23/044; H04B 1/3888  
See application file for complete search history.

(56) **References Cited**

**U.S. PATENT DOCUMENTS**

- D587,896 S \* 3/2009 Aipa ..... D3/201
- D652,825 S \* 1/2012 Bau ..... D14/238.1
- D693,350 S \* 11/2013 Mish ..... D14/440
- D696,257 S \* 12/2013 Ward ..... D14/440
- D729,252 S \* 5/2015 Smith ..... D14/440
- D729,255 S \* 5/2015 Kilkenny ..... D14/440
- D733,154 S \* 6/2015 Armstrong ..... D14/440
- D763,840 S \* 8/2016 Hwang ..... D14/250
- D763,853 S \* 8/2016 Pearce ..... D14/440
- D812,620 S \* 3/2018 Cheng ..... D14/440
- D848,441 S \* 5/2019 Ferren ..... D14/440

- D850,454 S \* 6/2019 Kim ..... D14/440
- D851,649 S \* 6/2019 Tan ..... D14/440
- D863,314 S \* 10/2019 Chan ..... D14/440
- D889,451 S \* 7/2020 Chiang ..... D14/250
- D904,414 S \* 12/2020 Hyun ..... D14/440
- D908,131 S \* 1/2021 Mclean ..... D14/440

**FOREIGN PATENT DOCUMENTS**

CN 201930285519.2 6/2019

\* cited by examiner

*Primary Examiner* — Cynthia R Underwood

(74) *Attorney, Agent, or Firm* — John D. Tran; Rhema Law Group

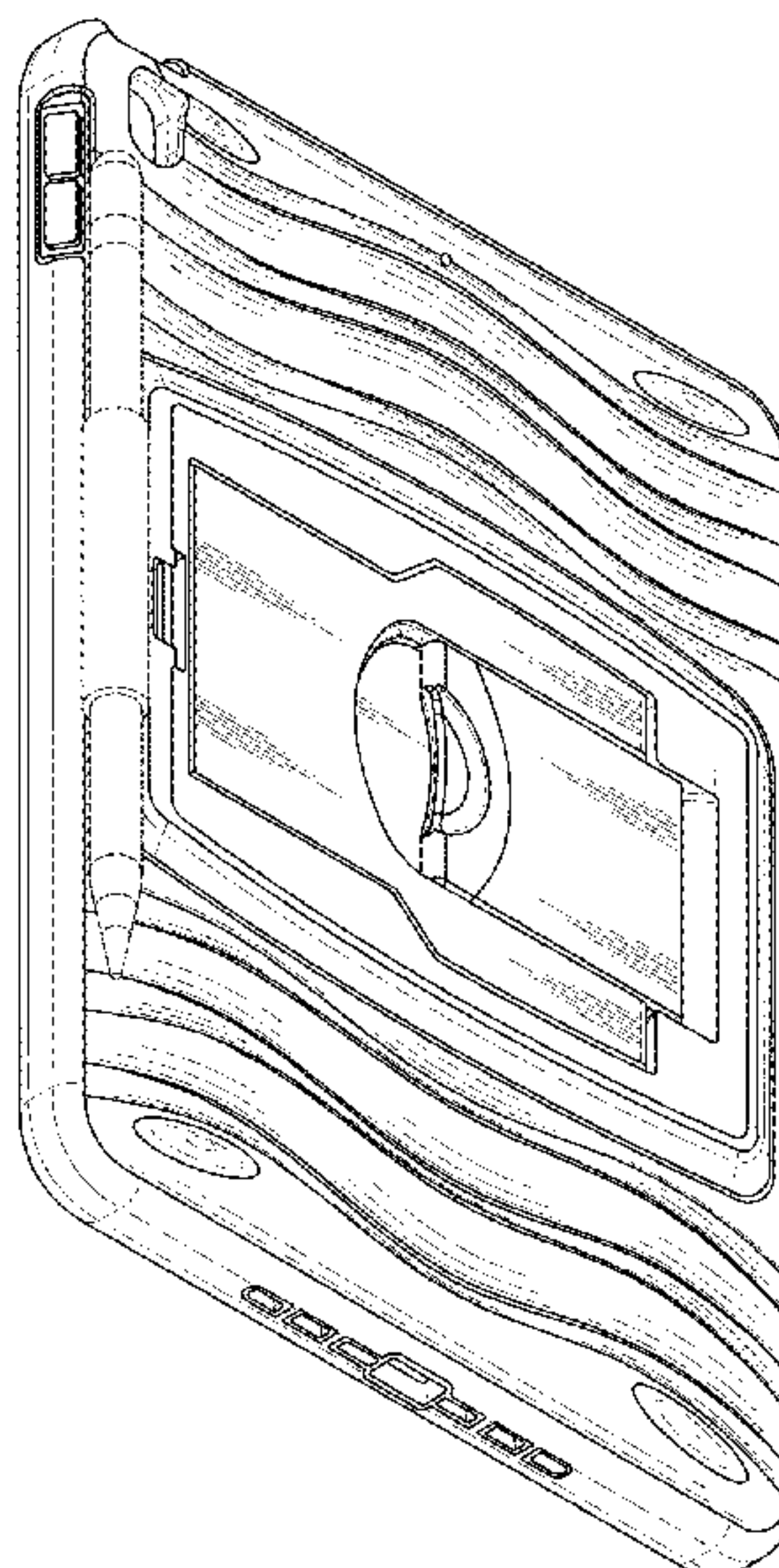
(57) **CLAIM**

I claim the ornamental design for a protective case for a tablet computer, as shown and described.

**DESCRIPTION**

FIG. 1 is a perspective front view of the protective case for a tablet computer;  
 FIG. 2 is perspective back view of the protective case for a tablet computer;  
 FIG. 3 is a front view of the protective case for a tablet computer;  
 FIG. 4 is a back view of the protective case for a tablet computer;  
 FIG. 5 is a left-side view of the protective case for a tablet computer;  
 FIG. 6 is a right-side view of the protective case for a tablet computer;  
 FIG. 7 is a top-down view of the protective case for a tablet computer; and,  
 FIG. 8 is a bottom view of the protective case for a tablet computer.  
 The broken lines shown throughout the views represent the portions of the design which form no part of the claim.

**1 Claim, 8 Drawing Sheets**



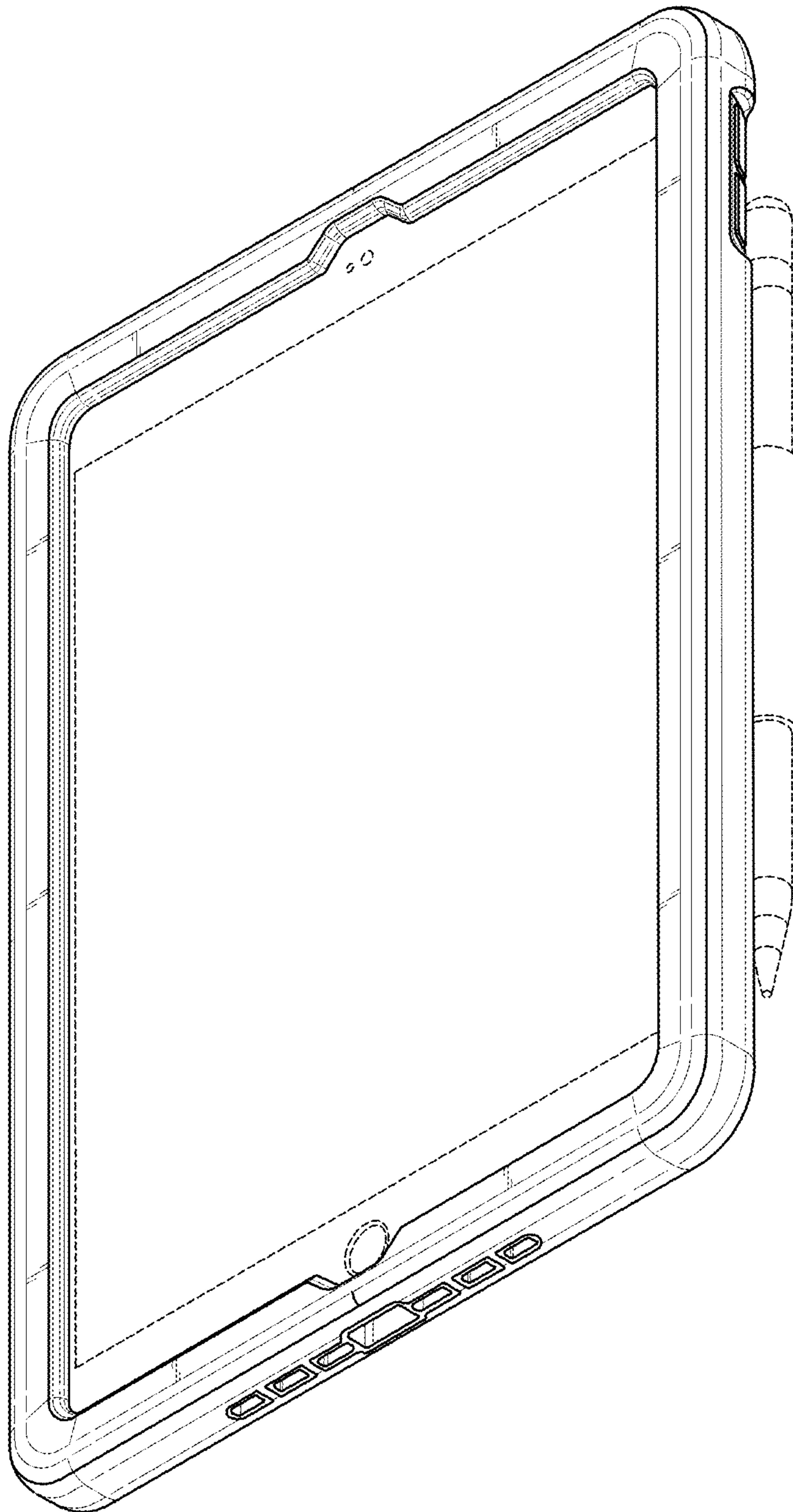


FIG. 1



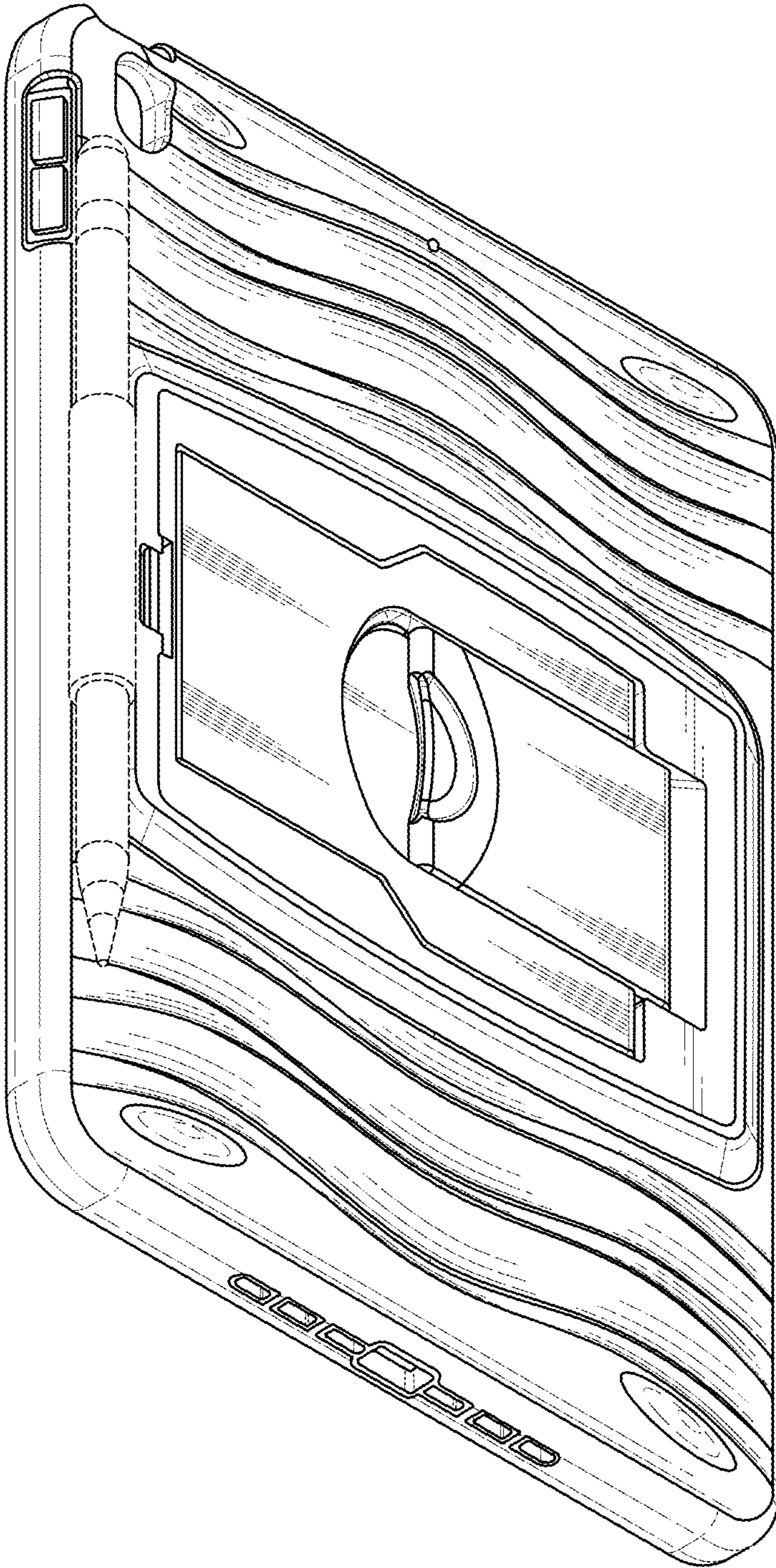


FIG. 2

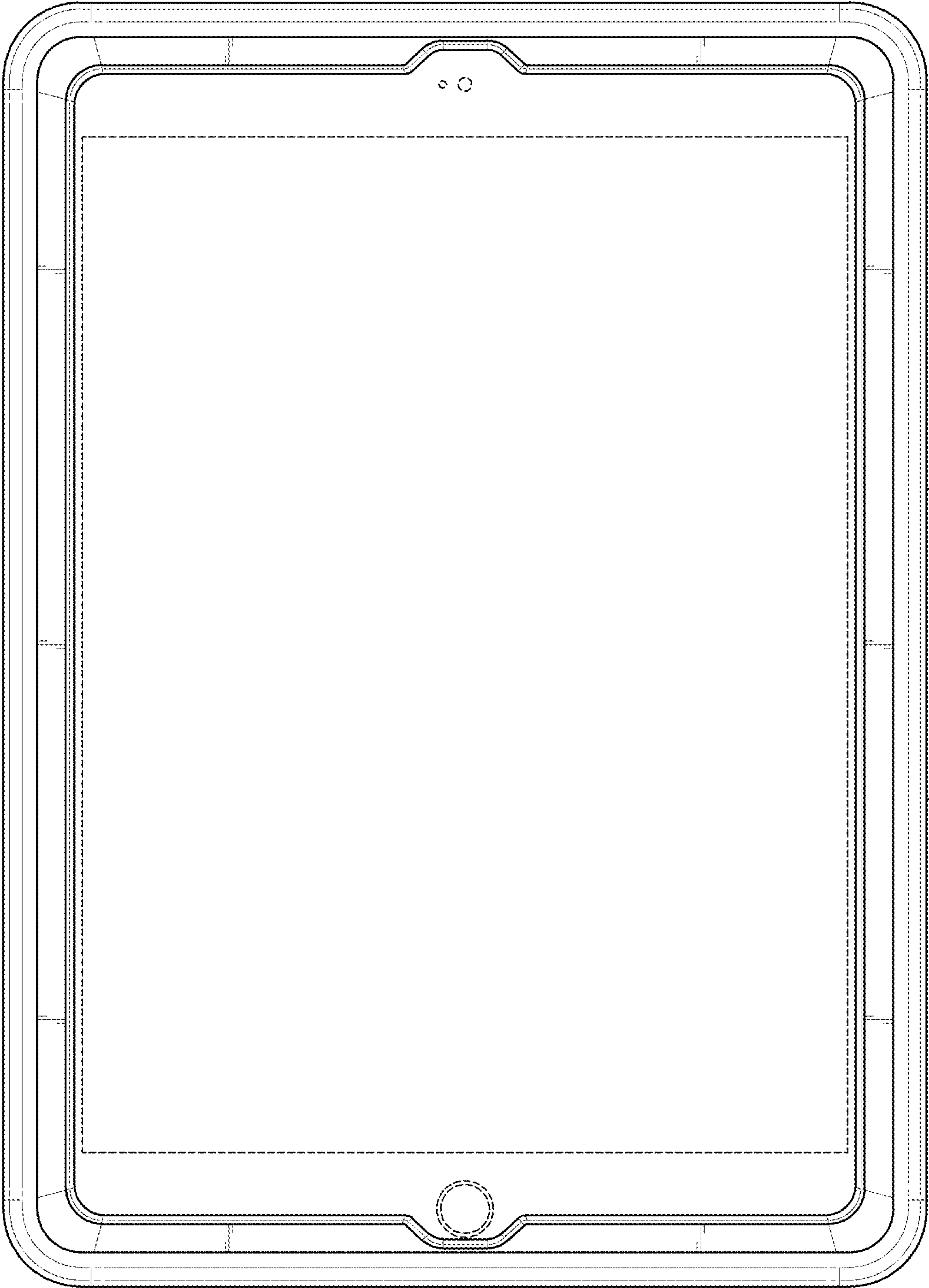


FIG. 3

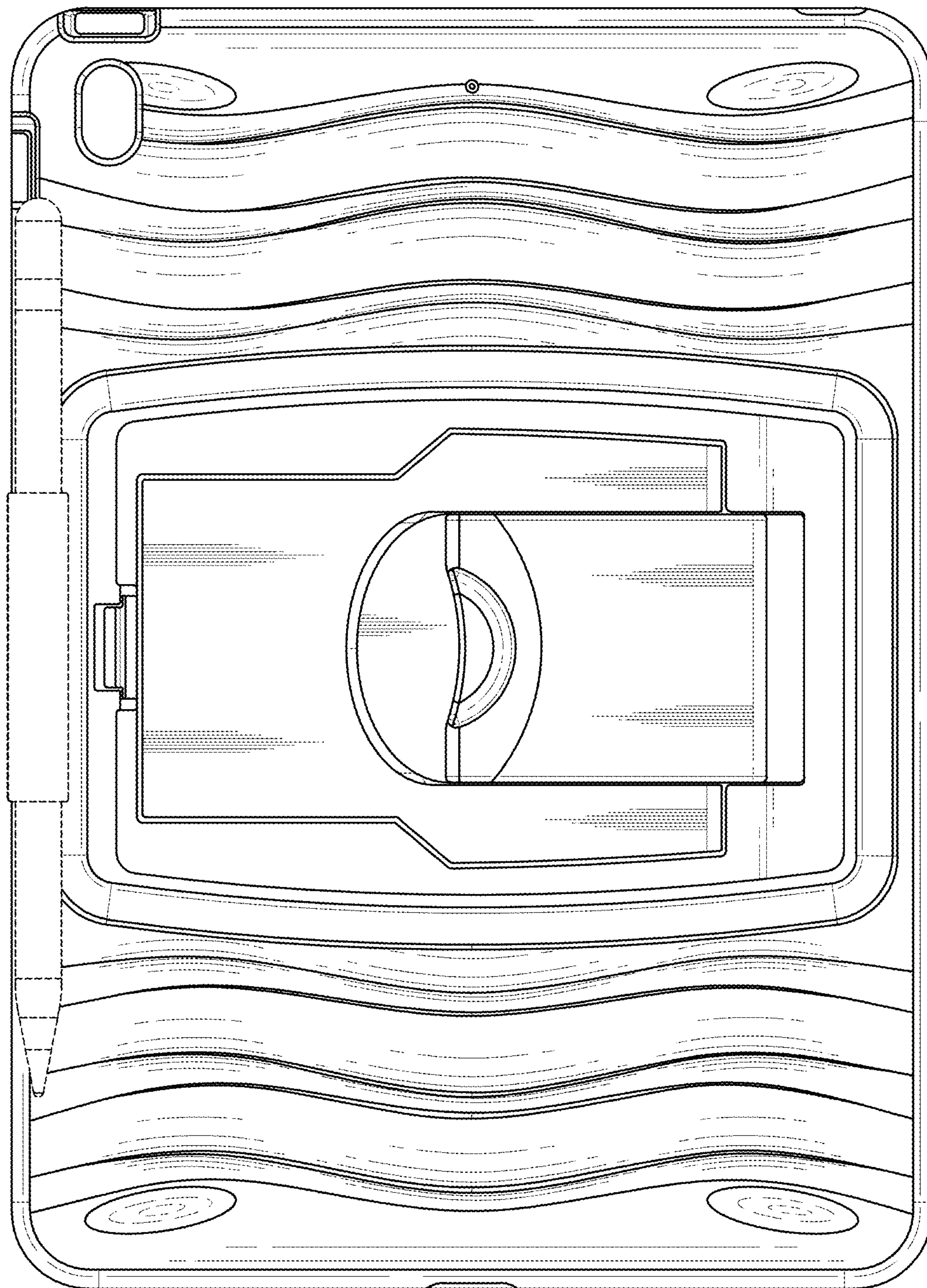


FIG. 4



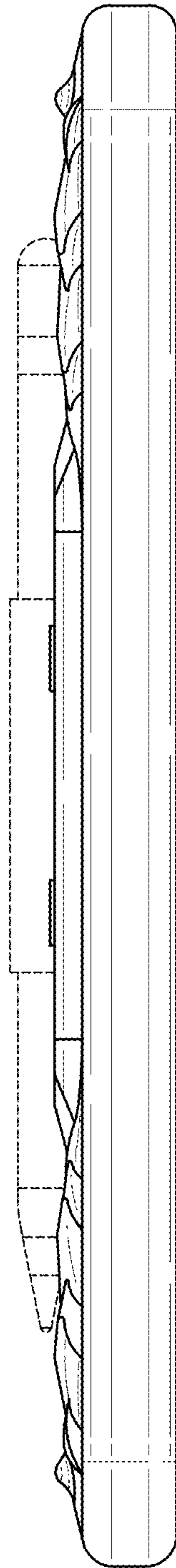


FIG. 5

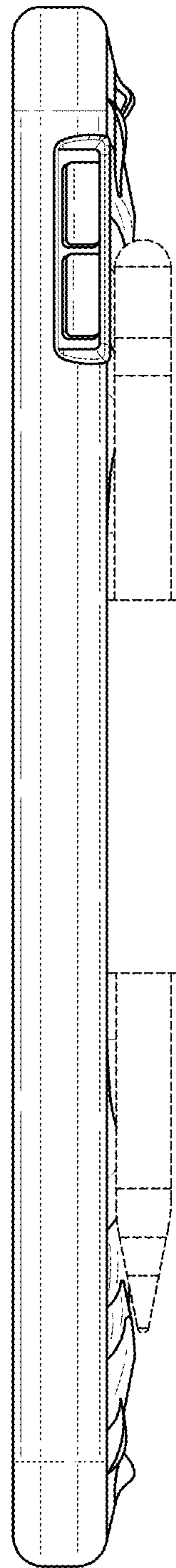


FIG. 6

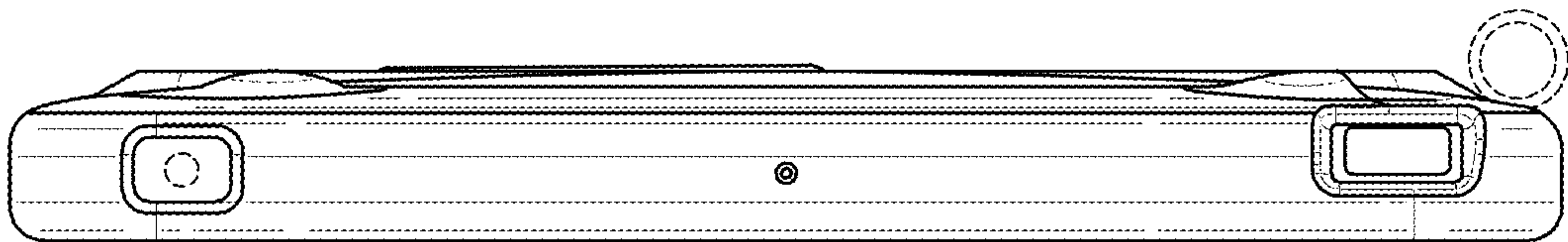


FIG. 7



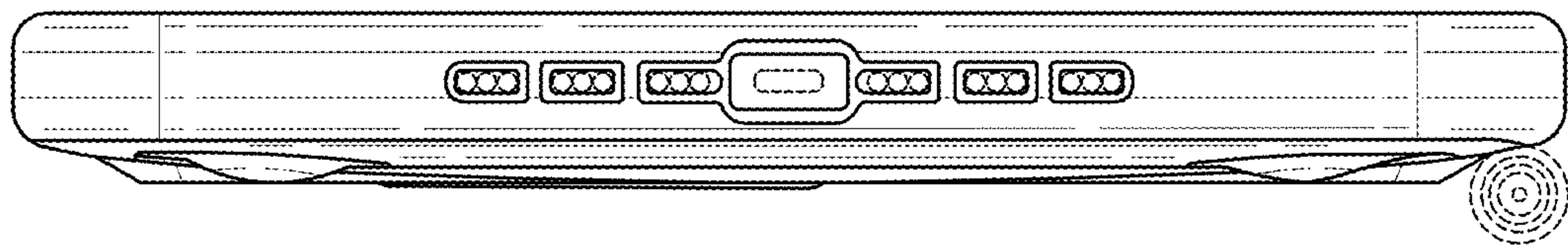


FIG. 8