



US00D921635S

(12) **United States Design Patent** (10) **Patent No.:** **US D921,635 S**
Wu (45) **Date of Patent:** **** Jun. 8, 2021**

(54) **USB DEVICE**
(71) Applicant: **Shenzhen Tairan Lighting Co., Ltd.**,
Shenzhen (CN)
(72) Inventor: **Yingxiang Wu**, Shenzhen (CN)
(73) Assignee: **SHENZHEN TAIRAN LIGHTING**
CO., LTD., Shenzhen (CN)

D685,809 S 7/2013 Billington
D736,150 S 8/2015 Liu
D788,111 S * 5/2017 Ji D14/433
D853,393 S * 7/2019 McCracken D14/433
D878,383 S * 3/2020 McEuen D14/480.5
D884,706 S * 5/2020 Verschoor D14/433
D897,950 S 10/2020 Bailey et al.
D899,428 S * 10/2020 Shen D14/433
D900,031 S * 10/2020 Song D13/133

(Continued)

(**) Term: **15 Years**

FOREIGN PATENT DOCUMENTS

(21) Appl. No.: **29/760,164**

CN 303634713 S 4/2016
CN 303805426 S 8/2016

(22) Filed: **Nov. 30, 2020**

(Continued)

(30) **Foreign Application Priority Data**

Primary Examiner — Austin Murphy

Oct. 19, 2020 (CN) 202030619129.7

(74) *Attorney, Agent, or Firm* — Hemisphere Law, PLLC;
Zhigang Ma

(51) **LOC (13) Cl.** **14-02**

(57) **CLAIM**

(52) **U.S. Cl.**
USPC **D14/433**

The ornamental design for an USB device, as shown and described.

(58) **Field of Classification Search**
USPC D14/240, 242, 356, 358, 363, 365, 367,
D14/370, 432–437, 439, 498, 125, 366,
D14/168, 496; D13/147, 164, 123, 133,
D13/146, 110, 199, 103, 162, 159, 160,
D13/184; 361/683, 684, 686, 724, 735,
361/737, 752; D18/40
CPC H01R 25/006; H01R 27/02; H01R 31/005;
G06F 13/4022; G06F 13/382; G06F
1/1632; G06F 1/1684; G06F 1/20; G06F
1/1607
See application file for complete search history.

DESCRIPTION

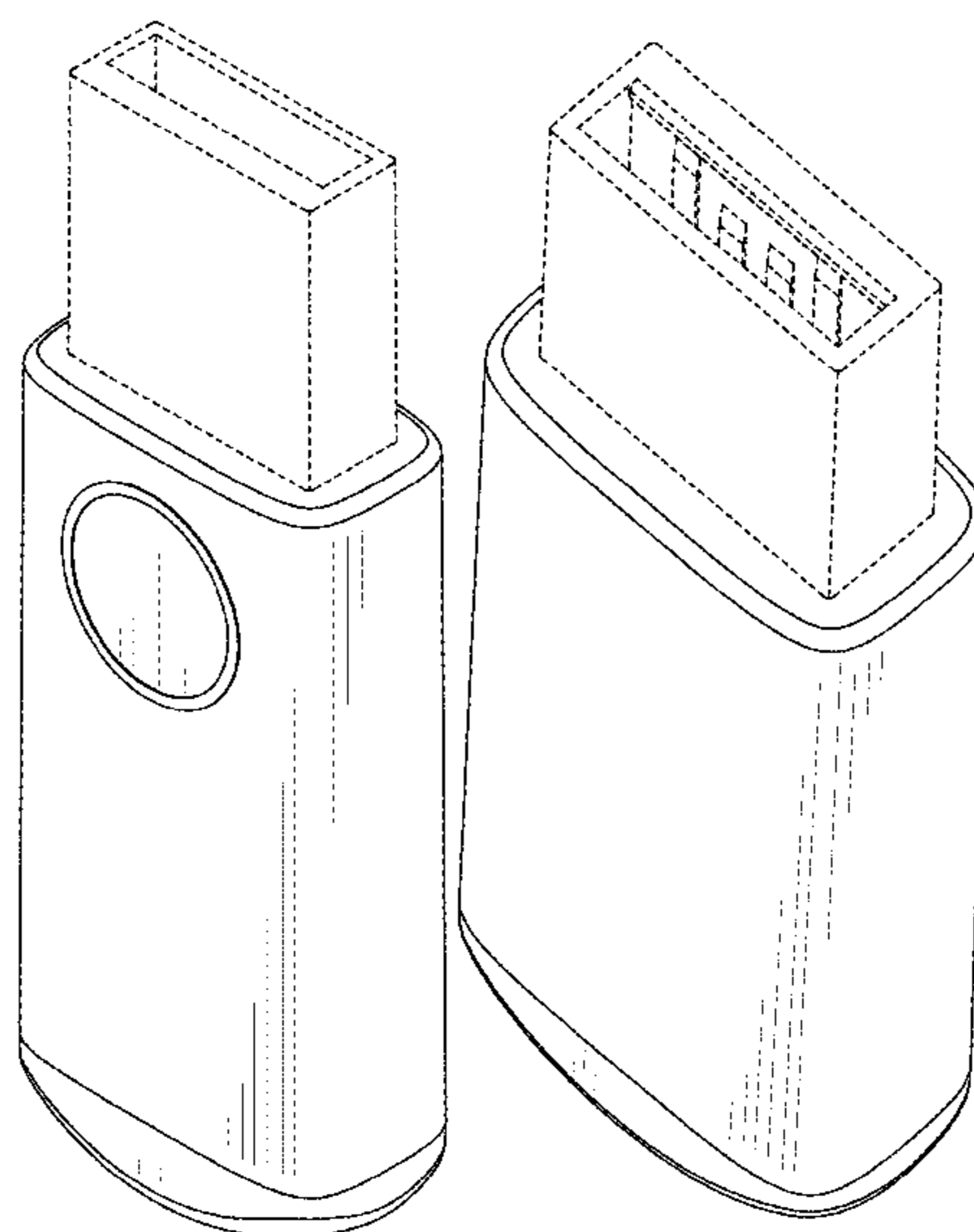
FIG. 1 is a front elevational view of an USB device showing my new design;
FIG. 2 is a rear elevational view thereof;
FIG. 3 is a left side elevational view thereof;
FIG. 4 is a right side elevational view thereof;
FIG. 5 is a top plan view thereof;
FIG. 6 is a bottom plan view thereof;
FIG. 7 is a front, top, right side perspective view thereof;
FIG. 8 is a rear, top, left side perspective view thereof;
FIG. 9 is a front, bottom, right side perspective view thereof;
FIG. 10 is an enlarged view of a part 10 of the USB device in FIG. 9; and,
FIG. 11 is rear, bottom, left side perspective view thereof.
The broken lines are employed to illustrate environmental structures and form no part of the claim.

(56) **References Cited**

U.S. PATENT DOCUMENTS

D546,328 S 7/2007 Kobayakawa
D547,758 S 7/2007 Ho et al.
D575,288 S * 8/2008 Chen D14/432
D627,784 S * 11/2010 Yamamoto D14/433

1 Claim, 8 Drawing Sheets



(56)

References Cited

U.S. PATENT DOCUMENTS

D915,408 S * 4/2021 Zhang D14/433
2007/0229025 A1* 10/2007 Tsai H01R 13/2442
320/111

FOREIGN PATENT DOCUMENTS

CN	303959305 S	12/2016
CN	305611149 S	2/2020
CN	305618855 S	2/2020
EM	0020844260001 S	8/2012
EM	0026506220003 S	3/2015
EM	0038056540001 S	3/2017
EM	0061676490001 S	2/2019
JP	1563126 S	11/2016
JP	1563128 S	11/2016
JP	1595013 S	1/2018
KR	300597205 S	4/2011
SG	30201805517 S	9/2018
SG	30201805522 S	9/2018
TW	D130110 S	8/2009

* cited by examiner

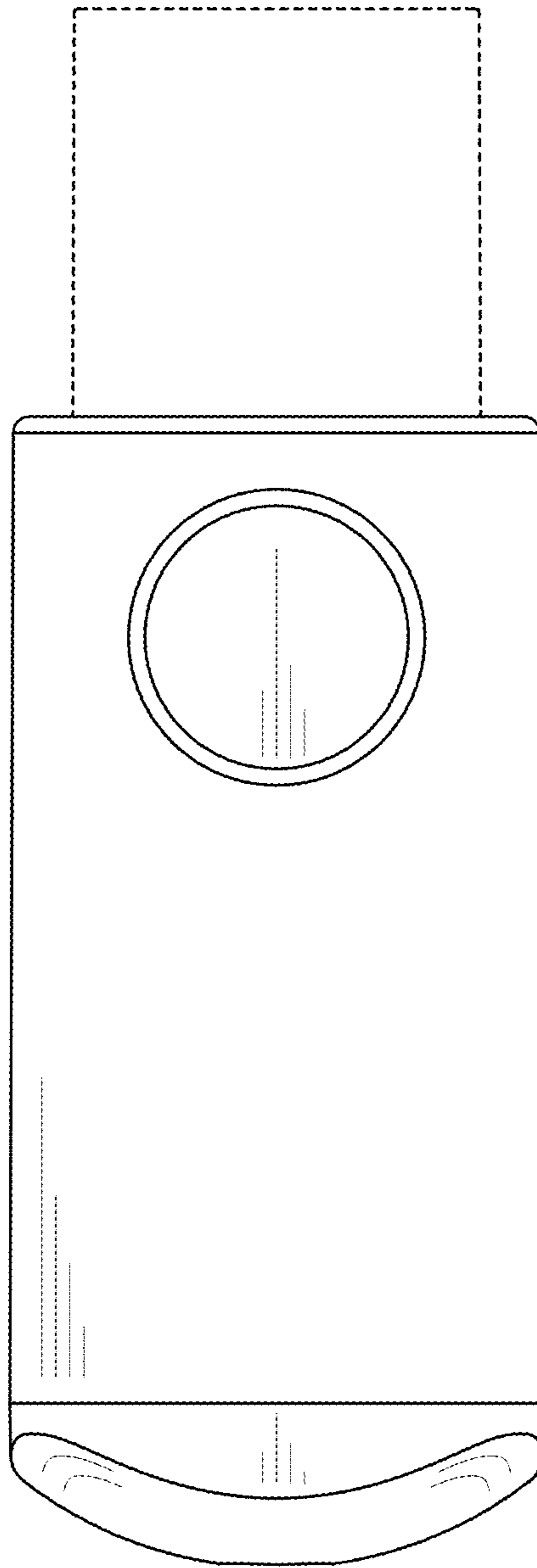


FIG. 1

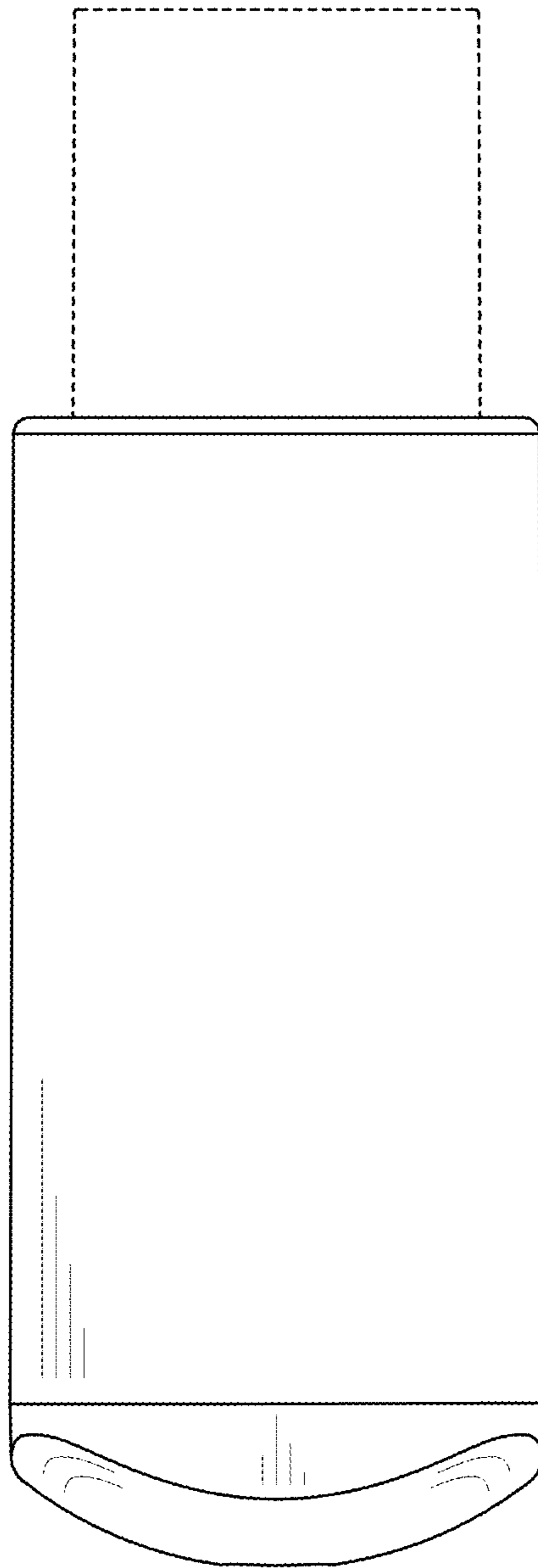


FIG. 2

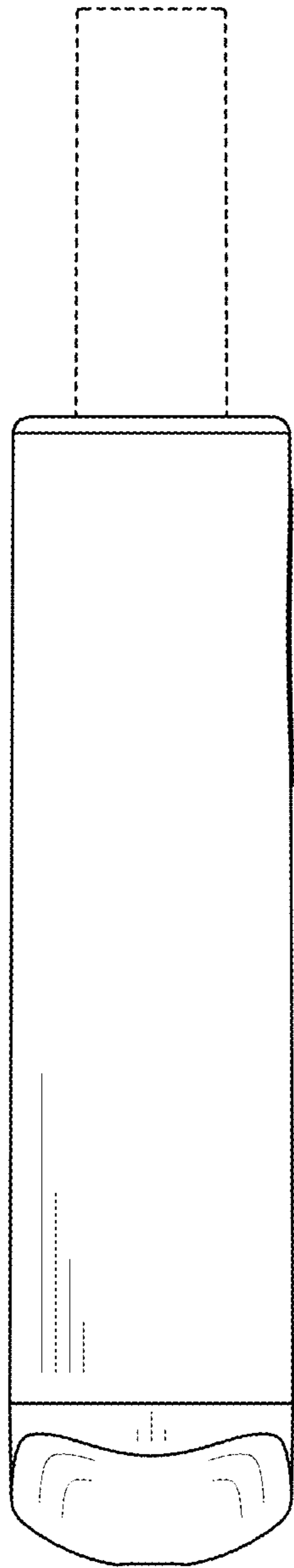


FIG. 3

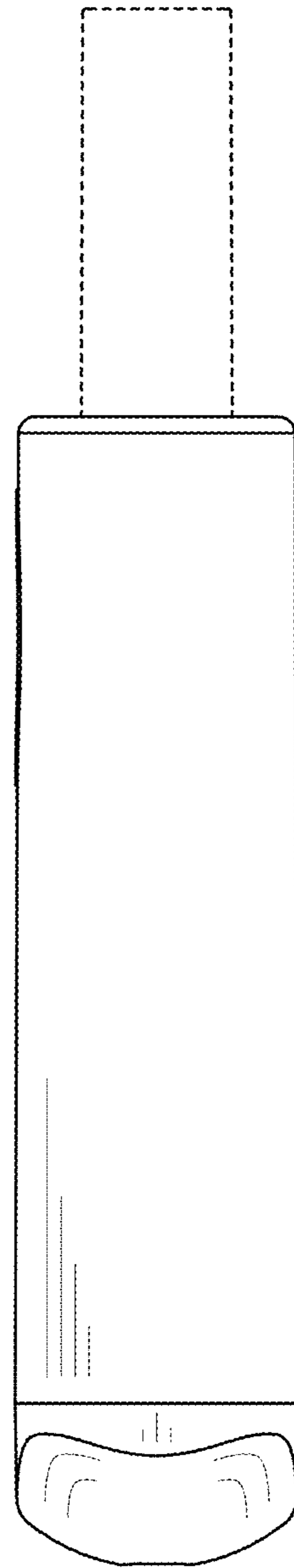


FIG. 4

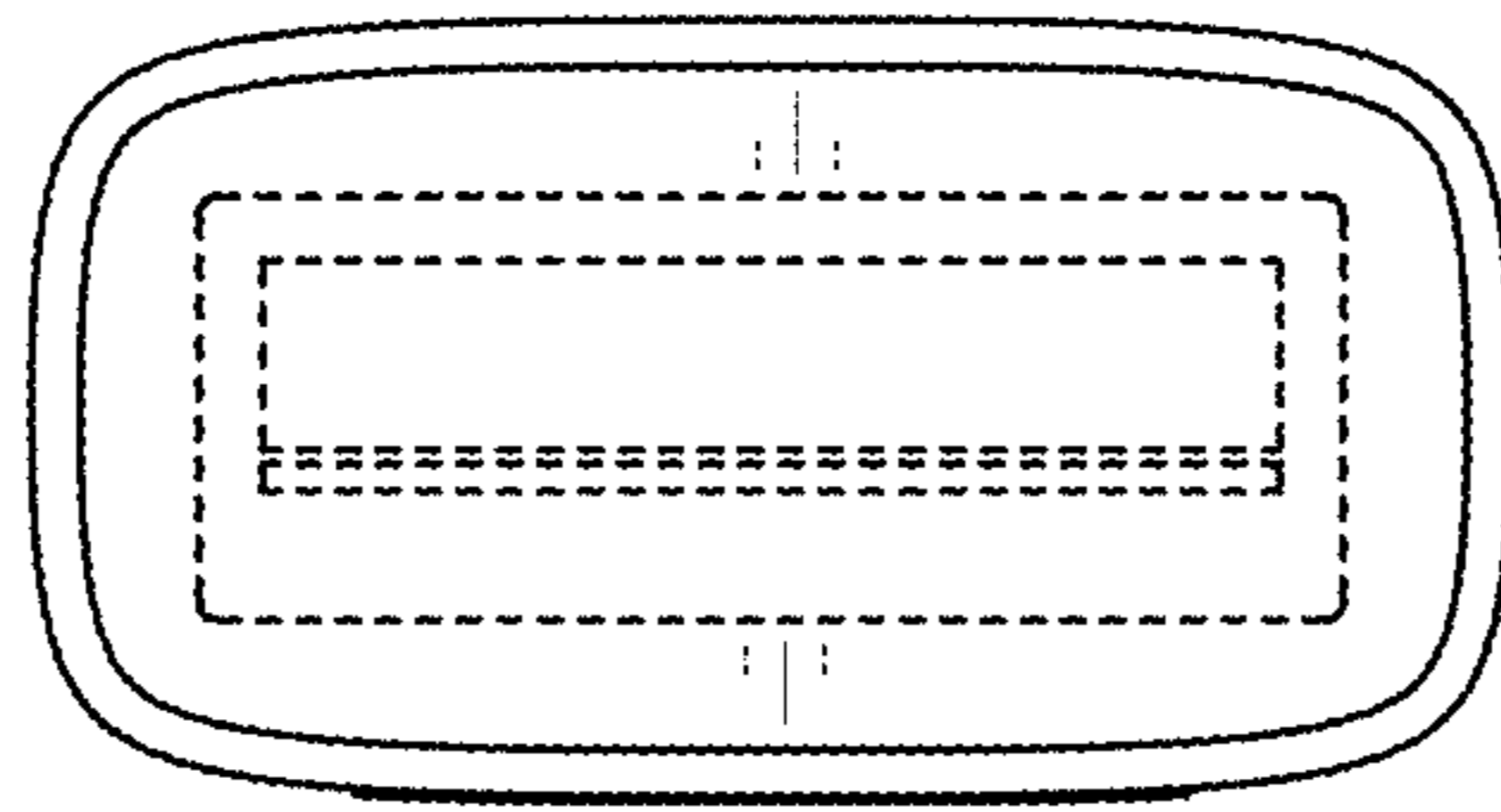


FIG. 5

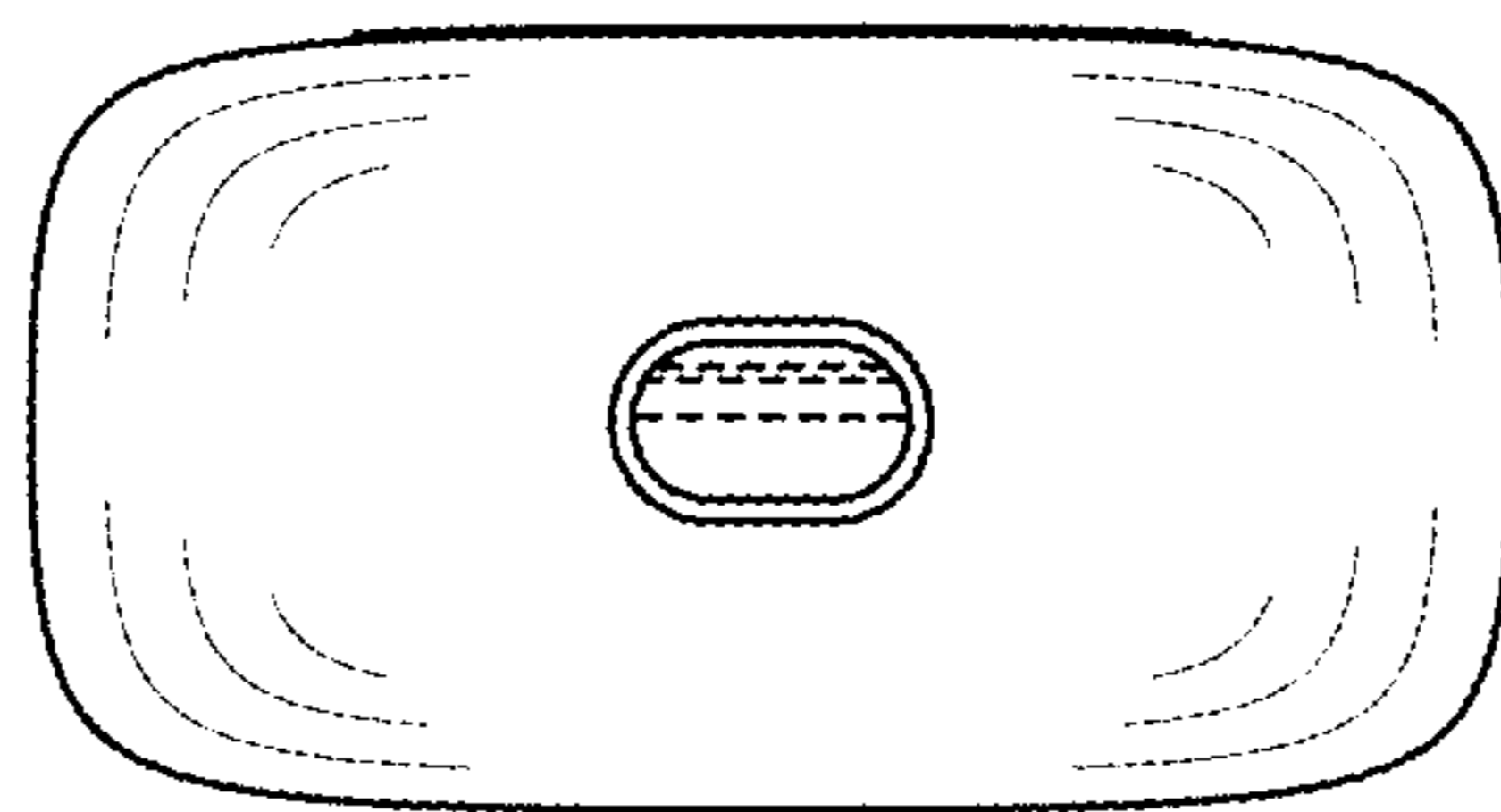


FIG. 6

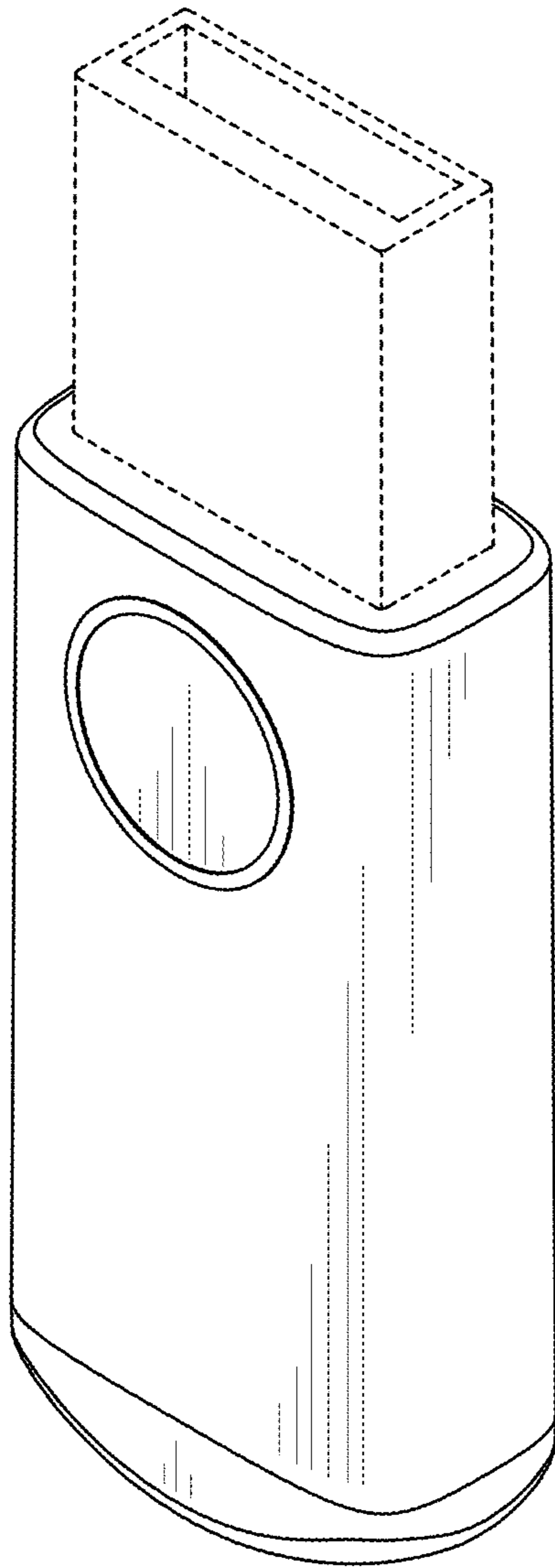


FIG. 7

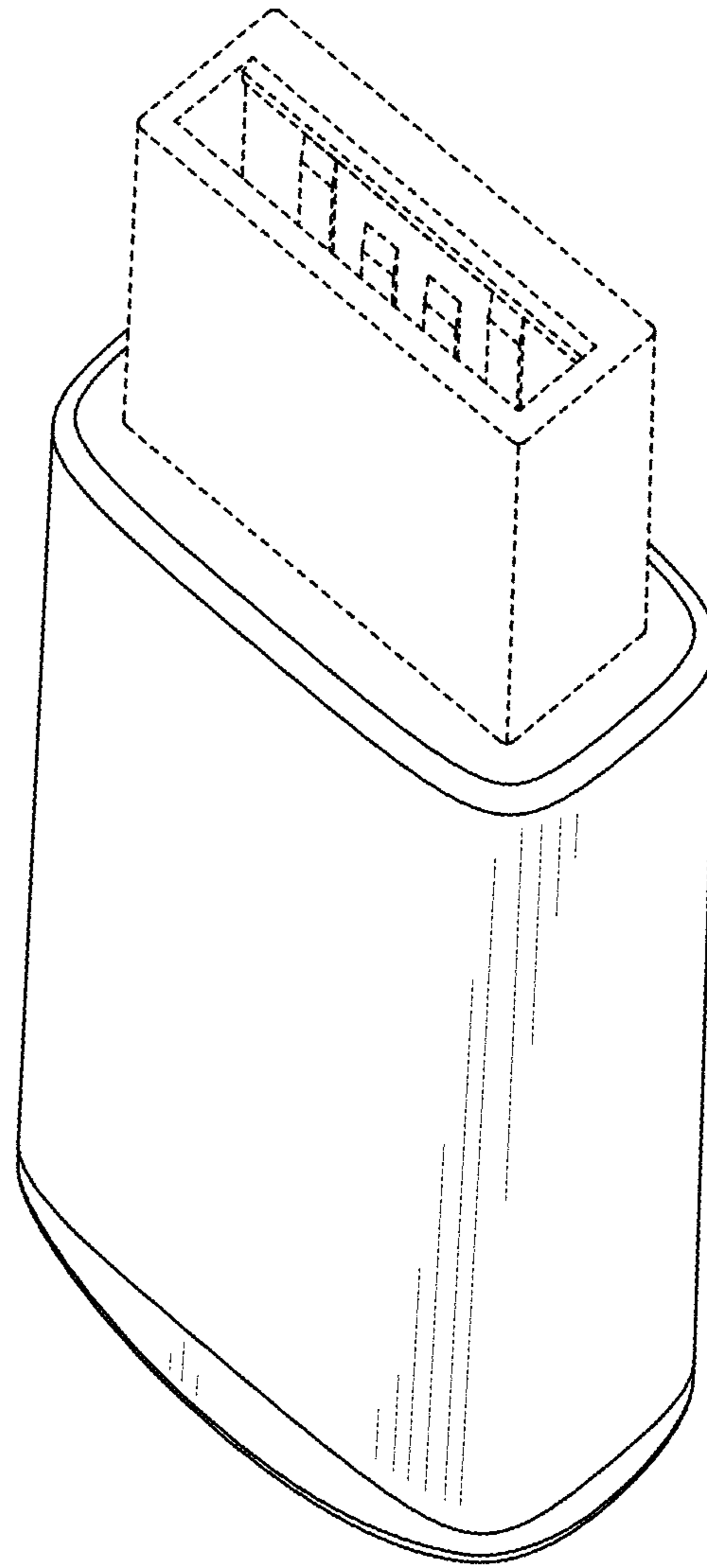


FIG. 8

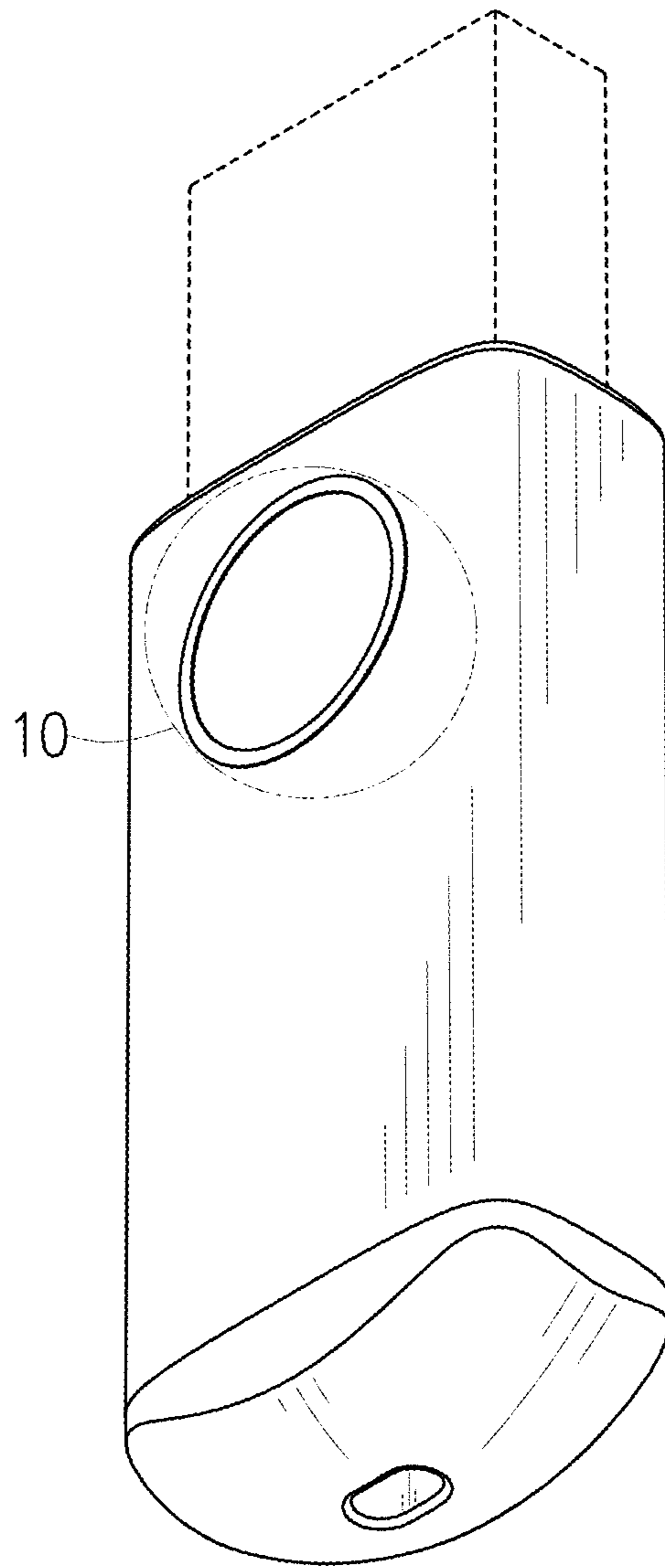


FIG. 9

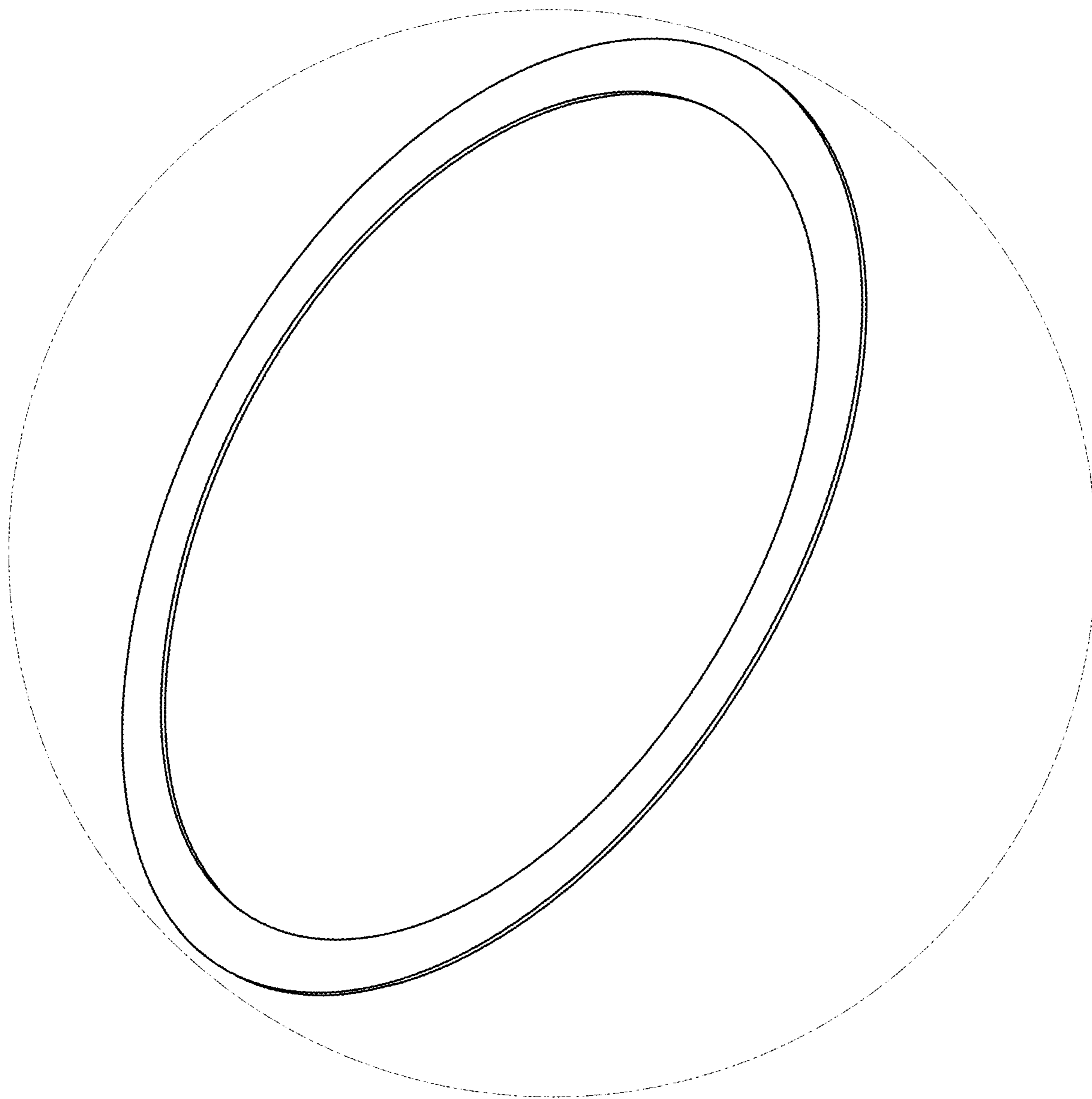


FIG. 10

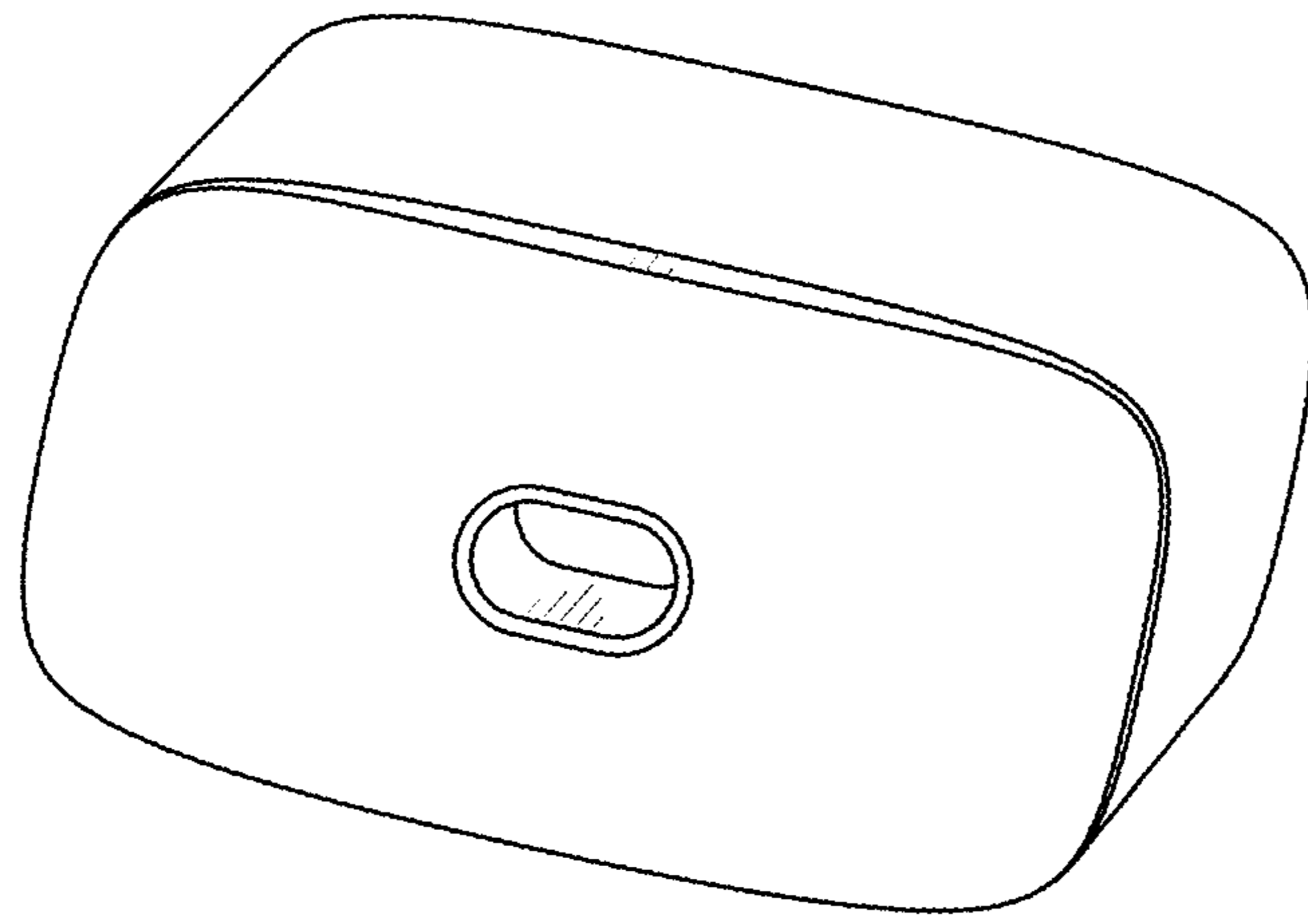


FIG. 11